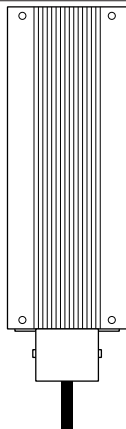




S1A4559003

Altivar - Lexium

VW3A760●R●●

**⚡ ⚠ DANGER****HAZARD OF ELECTRIC SHOCK, EXPLOSION, OR ARC FLASH**

- Only appropriately trained persons who are familiar with and fully understand the contents of the present manual and all other pertinent product documentation and who have received all necessary training to recognize and avoid hazards involved are authorized to work on and with this equipment.
- Installation, adjustment, repair, and maintenance must be performed by qualified personnel.
- Verify compliance with all local and national electrical code requirements as well as all other applicable regulations with respect to grounding of all equipment.
- Before performing work and/or applying voltage on the equipment, follow the instructions given in the appropriate installation manual.

Failure to follow these instructions will result in death or serious injury.

Electrical equipment should be installed, operated, serviced, and maintained only by qualified personnel.

No responsibility is assumed by Schneider Electric for any consequences arising out of the use of this product.

© 2024 Schneider Electric. All Rights Reserved.

**UK
CA**

MANUFACTURER
Schneider Electric Industries SAS
35 rue Joseph Monier
Rueil Malmaison 92500 France

UK REPRESENTATIVE
Schneider Electric Limited
Stafford Park 5
Telford, TF3 3BL United Kingdom

EAC

Опция для продуктов Altivar и Altistart.
Пожалуйста, обратитесь к сообщению о преобразователе частоты EAC / программном сартере в приложении к началу работы, размещенном на веб-сайте производителя. Авторизованный поставщик в Республике Казахстан:
ТОО «Шнейдер Электрик»
Адрес: 050010, РК, г. Алматы, пр. Достык, 38, бизнес-центр «Кен Дала», 5 этаж, левое крыло.
Тел.: +7 (727) 339 23 57
Номер службы поддержки клиентов:
Тел.: +7 (727) 339 24 52

Altivar және Altistart өніміне арналған опция. Өндірушінің веб-сайтында орналастырылған «Жұмысқа кірісу» қосымшасындағы EAC жиілік инвертер / бірқалыпты іске қосу құрылғысы хабарламасына сілтеме жасауыңызды сұраймыз.
Қазақстан Республикасындағы уәкілетті жеткізуші:
ЖШС «Шнейдер Электрик»
Мекен-жайы: 050010, ҚР, Алматы қаласы, Достық даңғылы, 38, «Кең дала» бизнес орталығы, 5-қабат, сол қанат.
тел.: +7 (727) 339 23 57
Клиенттерге қызмет көрсету нөмірі:
тел.: +7 (727) 339 24 52

DANGER

HAZARD OF FIRE

Before installing the product, verify that all cardboard and other packaging material has been completely removed from the product.

Failure to follow these instructions will result in death or serious injury.



The metal surfaces of the product may reach 150°C (302°F) during operation.

WARNING

HOT SURFACES

- Ensure that any contact with hot surfaces is avoided.
- Do not allow flammable or heat-sensitive parts in the immediate vicinity of hot surfaces.
- Verify that the heat dissipation is sufficient by performing a test run under maximum load conditions.

Failure to follow these instructions can result in death, serious injury, or equipment damage.



brP-



www.se.com

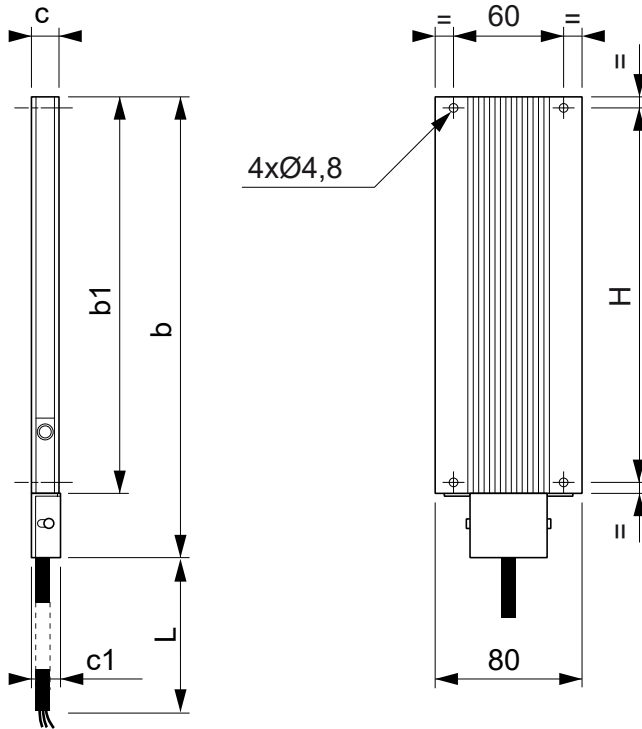
CAUTION

SHARP EDGES



Use all necessary personal protective equipment (PPE) such as gloves when performing any type of work whatsoever on or with this product.

Failure to follow these instructions can result in injury or equipment damage.

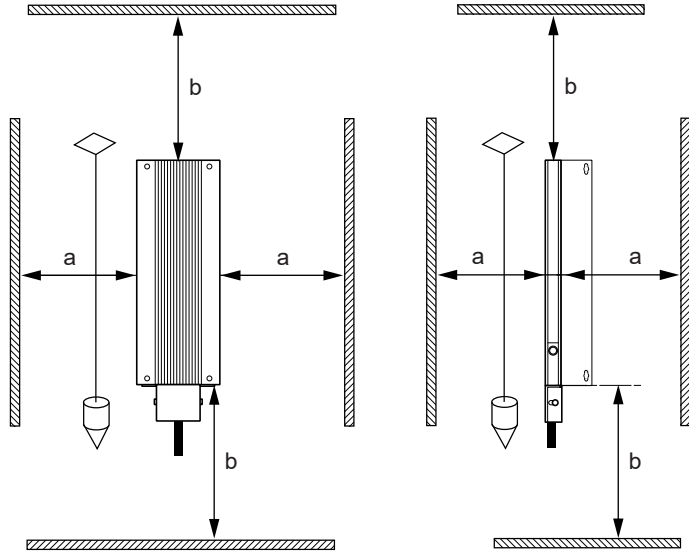
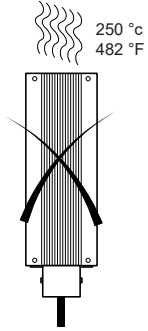
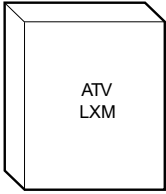


	b mm (in)	b1 mm (in)	c mm (in)	c1 mm (in)	H mm (in)	Ω	W	L
VW3A7601R●●	257 (10.12)	216 (8.5)	30 (1.18)	15.5 (0.61)	204 (8.03)	10	400	●●
VW3A7602R●●	145 (5.71)	110 (4.33)	15 (0.59)	15.5 (0.61)	98 (3.86)	27	100	●●
VW3A7603R●●	251 (9.88)	216 (8.5)	15 (0.59)	15.5 (0.61)	204 (8.03)	27	200	●●
VW3A7604R●●	257 (10.12)	216 (8.5)	30 (1.18)	15.5 (0.61)	204 (8.03)	27	400	●●
VW3A7605R●●	145 (5.71)	110 (4.33)	15 (0.59)	15.5 (0.61)	98 (3.86)	72	100	●●
VW3A7606R●●	251 (9.88)	216 (8.5)	15 (0.59)	15.5 (0.61)	204 (8.03)	72	200	●●
VW3A7607R●●	257 (10.12)	216 (8.5)	30 (1.18)	15.5 (0.61)	204 (8.03)	72	400	●●
VW3A7608R●●	145 (5.71)	110 (4.33)	15 (0.59)	15.5 (0.61)	98 (3.86)	100	100	●●



www.se.com





$a \geq 50 \text{ mm (1,97 in.)}$
 $b \geq 100 \text{ mm (3,94 in.)}$

VW3A760●R●●

