

# Sensor-actuator cabling and circular connectors

Version 2023



**Weidmüller** 





# Sensor-actuator cabling and circular connectors

## Catalogue 8

<b>Sensor-actuator cabling and circular connectors</b>	Product Innovations - Sensor-Aktor-Interface	<b>A</b>
	M8, M12 and valve plug cord sets	<b>B</b>
	M8, M12 Plug-in connectors and protective caps	<b>C</b>
	M12 POWER (A-, S-, K-, L- and T-coded)	<b>D</b>
	Passive distributors	<b>E</b>
	Distributor with integrated logic	<b>F</b>
	Weidmüller Industry Light (WIL)	<b>G</b>
	JACKPAC® (IP67)	<b>H</b>
	Device connectors	<b>I</b>
	7/8" connectors	<b>J</b>
	M23 Connectors and cables	<b>K</b>
	Data cables, data plug-in connectors and Remote I/O modules	<b>L</b>
	Tools and markers	<b>M</b>

<b>Appendix</b>	<b>Service and support</b>	<b>V</b>
	<b>Technical appendix</b>	<b>W</b>
	<b>Index</b>	<b>X</b>
	Index Type / Index Order No. Addresses worldwide	

# M8, M12 and valve plug cord sets

**M12 one end without connector**  
Page B.11



**M12 one end without connector,**  
Page B.15



**Twin cabling M12**  
**einseitig offen** Page B.19



**M8 one end without connector**  
Page B.20



**M8 one end without connector**  
Page B.23



**M16 one end without connector**  
Page B.25



**Connecting cables M12 to M12**  
Page B.27



**Connecting cables M12 to M8**  
Page B.31



**Connecting cables M12 to USB**  
Page B.35



**Connecting cables M8 to M8**  
Page B.36



**Twin sensor cables**  
Page B.41



**M12 one end without connector,**  
**B-coded** Page B.47



**Connecting cable M12 to M12**  
**B-coded** Page B.48



**M8 and M12 cables for the**  
**automotive industry** Page B.51



**Accessories for cables**  
Page B.58



**Valve cables one-sided**  
Page B.61



**Connecting cable**  
Page B.69



# M8, M12 Plug-in connectors and protective caps

**Screw connection M12**

Page C.7



**Screw connection M8**

Page C.15



**PUSH IN connection M12**

Page C.18



**Solder connection M12**

Page C.21



**Solder connection M8**

Page C.22



**Tension-clamp connection M12**

Page C.24



**Insulation displacement connection M12**

Page C.27



**Insulation displacement connection M8**

Page C.31



**Crimp connection M12**

Page C.32



**Solder connection M16**

Page C.38



**Y-distributor  
T-distributor**

Page C.40



**Adapter**

Page C.44



**Panel feed-through**

Page C.45



**Protective caps**

Page C.46



**Built in plugs M12**

Page C.49



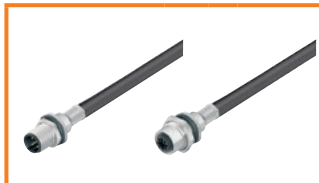
**Built in plugs M8**

Page C.51



**Built in plugs M12 shielded**

Page C.53



**Built in plugs solder connection M12**

Page C.55



**Built in plugs solder connection M16**

Page C.57



**Valve plugs for custom assembly**

Page C.59



# M12 POWER (A-, S-, K-, L- and T-coded)

**M12 L-coded**

Page D.4



**M12 K-coded**

Page D.6



**M12 S-coded**

Page D.8



**M12 T-coded**

Page D.10



**M12 T-coded shielded**

Page D.12



**Screw connection M12**

Page D.14



**Insulation displacement connection**

Page D.19



**Crimp connection M12**

Page D.20



**Customisable panel feed-through**

Page D.22



**M12-Built-in plug**

Page D.26



**M12-Device connector**

Page D.29



**M12-T, h and H distributors**

Page D.31



**M12 Power supply distributor  
24 V DC T-coded**

Page D.33



**M12 Motor supply distributor  
630 V AC S-coded**

Page D.35



**Accessories**

Page D.38



# Passive distributors

**M12 Hood**

Page E.7



**M12 Line**

Page E.10



**M12 DIP with DIP-switch**

Page E.13



**M12 ECO**

Page E.15



**M12 with M23 outlet**

Page E.16



**M12 IDC**

Page E.20



**M12 metal distributors**

Page E.24



**M12 1:1**

Page E.27



**M12 8 poles**

Page E.28



**M12 for NPN and PNP sensors**

Page E.29



**M12 wall bushing**

Page E.32



**M12 Pre-assembled hood version**

Page E.33



**M12 distributor accessories**

Page E.34



**M8 Line**

Page E.38



**M8 with solder pins**

Page E.42



# Distributor with integrated logic

AND operation

Page F.3



AND + OR operation

Page F.4



Terminating resistor jumpers

Page F.5



# WIL – Weidmüller Industry Light

6500K

Page G.8



5700K

Page G.11



5000K

Page G.13



4000K

Page G.14



2700K

Page G.15



WIL colour alternative

Page G.16



WIL special variations

Page G.20



WIL accessories

Page G.21



WIL-L 5700K

Page G.26



WIL-L colour alternative

Page G.29



WIL-E 5700K

Page G.30



WIL-E colour alternative

Page G.32



WIL-S 5700K

Page G.33



WIL-S 6500K

Page G.34



# JACKPAC® (IP67)

**JACKPAC®**

Page H.3



**JACKPAC® galvanic signal isolation**

Page H.6



**JACKPAC® test**

Page H.8



**Empty housing SAI JACKPAC®**

Page H.10



## Device connectors

**Quick finder dome / Flange-mounted housing**

Page I.4



**M8 Tauch-Löt**

Page I.6



**M8 THR**

Page I.10



**M8 SMT**

Page I.14



**M8 Dome**

Page I.17



**M8 Flange-mounted housing**

Page I.18



**M12 Dip solder**

Page I.22



**M12 SMT**

Page I.36



**M12 Dome**

Page I.39



**M12 Flange-mounted housing**

Page I.44



**M12 Solder cup**

Page I.46



# 7/8" connectors

7/8" connector

Page J.6



7/8" built in plug

Page J.8



7/8" T-distributor

Page J.12



7/8" one end without connector

Page J.13





# M23 Connectors and cables

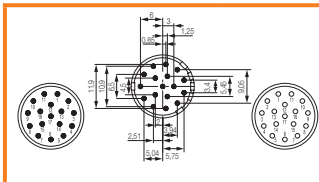
**Housings for signal transmission** Page K.12



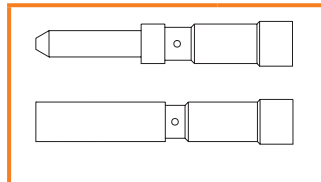
**Built-in connectors for signal transmission** Page K.13



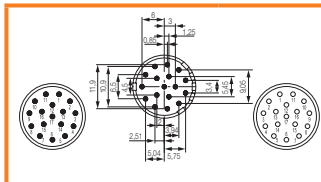
**Inserts for signal transmission** Page K.14



**Contacts for signal transmission** Page K.16



**Inserts for solder contacts for signal transmission** Page K.19



**Stainless steel enclosure for signal transmission** Page K.26



**Built-in connectors, stainless steel for signal transmission** Page K.27



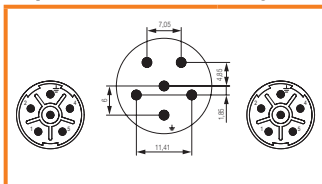
**Housings for power transmission** Page K.28



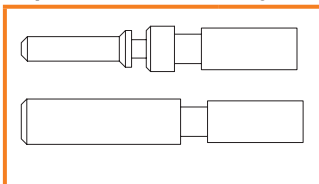
**Built-in connectors for power transmission** Page K.29



**Inserts for power transmission** Page K.30



**Contacts for power transmission** Page K.31



**M23 protective caps** Page K.32



**M23 protective caps stainless steel** Page K.33



**Moulded M23 cables** Page K.34



**SAI distributor with M23** Page K.35



# Remote I/O data cables – Plug-in connectors and modules

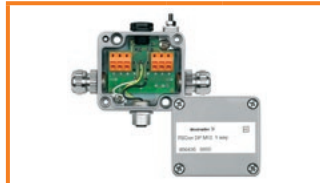
**PROFIBUS-DP - cables**  
Page L.4



**PROFIBUS-DP - plug-in connector**  
Page L.8



**PROFIBUS-DP - FBCon T-distributor**  
Page L.19



**PROFIBUS-PA - cables**  
Page L.24



**PROFIBUS-PA - plug-in connector**  
Page L.27



**PROFIBUS-PA - FBCon T-distributor**  
Page L.32



**PROFIBUS-PA - FBCon T-distributor with surge protection**  
Page L.36



**PROFIBUS-PA - FBCon T-distributor ATEX Ex(ia)**  
Page L.44



**CANopen & DeviceNet™ - cables**  
Page L.50



**CANopen & DeviceNet™ - plug-in connector**  
Page L.54



**CAN-BUS D-Sub – plug-in connector**  
Page L.55



**EtherCAT**  
Page L.61



**Ethernet - cables**  
Page L.62



**Ethernet - plug-in connector**  
Page L.70



**FOUNDATION Fieldbus - plug-in connector (7/8")**  
Page L.76



**Accessories cable glands**  
Page L.77



## Tools and markers

### Screwty® for M8/M12/M23

Page M.5



### Cutting tools

Page M.7



### Sheathing and insulation stripping tools

Page M.8



### Crimping tools

Page M.12



### Identification systems

Page M.16



## Service and support

### Service connects – worldwide

Page V.2



- Service connects – worldwide
- Engineering services and customised products
- easyConnect – Your Industrial Service Platform
- Support Center
- Additional support services
- Weidmüller Configurator

### Digital ordering options

Page V.10



Purchasing made easy:

- Weidmüller eShop
- OCI interface
- EDI interface



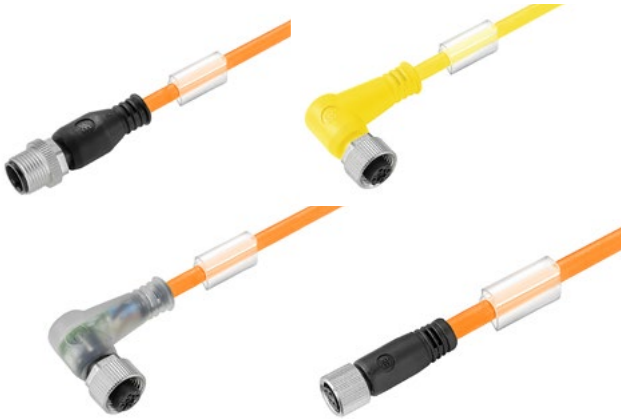
# Product Innovations

---

<b>Product Innovations</b>	Overview of innovations	A.2
	Introduction	A.4

---

# Overview of innovations



## M8 and M12 cables for the automotive industry

- Yellow cables and connectors for safety applications
- Orange and black cables in M12 and M8 versions, orange cable also with program for identification of resistance to welding sparks
- Sensor/actuator cables according to the requirements of the automotive industry
- Free from silicone / recyclable / resistant to welding sparks



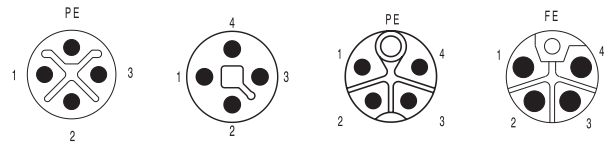
## M8 hood distributor

- Compact arrangement of the M8 sockets for tight spaces
- PUSH IN connection for quick and safe contacting in the hood
- Degree of protection IP67 for demanding field applications
- Modular portfolio with complete distributors, (assembled) hoods and bases
- Available as 4-, 6-, 8- and 10-way distributor



### M12 power portfolio expansion

- Connectors that can be assembled freely, h, H and T distributors, panel feed-through and distributors
- Up to 630 V AC or 60 V DC and 12 A
- All power coding: K-, L-, S- and T-coded



### Weidmüller Industry Light portfolio expansion

- Different series for individual use
- Available in different lengths & colors: multicolor or 5700 K
- M8 or M12 connector for fast and easy connection to the power supply
- Mounting holes and brackets allow easy direct mounting

## Are you already a Weidmüller customer?

### Then why not order your M12 or M8 cables from us!

Weidmüller supplies an extremely wide range of M12 and M8 cables, naturally with our proven Weidmüller quality assurance.

To answer as many demands as possible, we offer:

- PUR and PVC cables, as well as cables resistant to welding sparks
- A, B, D, K, L, S and T-coded cables
- Black, yellow and blue cables
- Shielded and unshielded cables

Of course, with very short delivery times and best conditions. Please do not hesitate to contact us for a quote or to receive further information.





# M8, M12 and valve plug cord sets

<b>M8, M12 and valve plug cord sets</b>	Introduction	B.2
	Overview of sensor cables	B.4
	Sensor cables	B.10
	Sensor cables B-coded	B.46
	Sensor cables Automotive industry	B.50
	Connectors – accessories	B.58
	Valve cables	B.60
	Connecting cable for sensors and actuators	B.69
	Connecting cables for Weidmüller distributor	B.79

## SAI cable

In an increasingly digital environment, the reliable transmission of power, signals and data requires the rapid availability of standardised cabling solutions and the development of individual special cables.

Irrespective of whether you require signal cables for sensor lines or data cables for Ethernet lines with different mating profiles – Weidmüller offers the right solution for every field of application.

**We offer a wide range of products in this category:**

- Standard cables from the catalogue
- Configuration of specialised variants using the online product wizard
- Customer-specific variants with custom cable lengths, connecting plugs, markings or colours



Sensor cables from Weidmüller: shown here with yellow and black cables, together with bus cables



**Easy to identify**

The EAN number on each label can be scanned in.



**Resistant to vibration**

Cables with vibration resistance



**High quality**

Compatible for use in robots; with recyclable, halogen-free cables

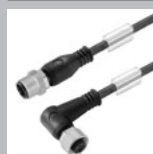


**Versatile**

Customised cables



**One end without connector**



**Connecting cables**



**Valve cables**



**Connection cables / bus cables**

Overview of sensor cables

**B**

		No. of poles	Cable material	One end free		M8 socket					
				PUR halogen-free	PVC	straight					
One end free			1.5 m 3.0 m 5.0 m 10.0 m variable								
M8 plug	straight		1.5 m 3.0 m 5.0 m 10.0 m variable	1824590150 1824590300 1824590500 1824591000 1824590000	1927230150 1927230300 1927230500 1927231000 1927230000	1824570150 1824570300 1824570500 1824571000 1824570000	1927150150 1927150300 1927150500 1927151000 1927150000				
		90°		1.5 m 3.0 m 5.0 m 10.0 m variable	1857550150 1857550300 1857550500 1857551000 1857550000	1927310150 1927310300 1927310500 1927311000 1927310000	1073020150 1073020300 1073020500 1073021000 1073020000	On request	On request		
				1.5 m 3.0 m 5.0 m 10.0 m variable	1857560150 1857560300 1857560500 1857561000 1857560000	1927330150 1927330300 1927330500 1927331000 1927330000	On request	On request			
			M12 plug	straight		1.5 m 3.0 m 5.0 m 10.0 m variable	9457810150 9457810300 9457810500 9457811000 9457810000	1925430150 1925430300 1925430500 1925431000 1925430000	9457770150 9457770300 9457770500 9457771000 9457770000	1938170150 1938170300 1938170500 1938171000 1938170000	
						1.5 m 3.0 m 5.0 m 10.0 m variable	9456100150 9456100300 9456100500 9456101000 9456100000	1925440150 1925440300 1925440500 1925441000 1925440000	On request	On request	
						1.5 m 3.0 m 5.0 m 10.0 m variable	9457610150 9457610300 9457610500 9457611000 9457610000	1925450150 1925450300 1925450500 1925451000 1925450000	On request	On request	
	90°				1.5 m 3.0 m 5.0 m 10.0 m variable	9456690150 9456690300 9456690500 9456691000 9456690000	1925510150 1925510300 1925510500 1925511000 1925510000	1304740150 1304740300	On request		
				1.5 m 3.0 m 5.0 m 10.0 m variable	1906260150 1906260300 1906260500 1906261000 1906260000	1925520150 1925520300 1925520500 1925521000 1925520000	On request	On request			
				1.5 m 3.0 m 5.0 m 10.0 m variable	9457670150 9457670300 9457670500 9457671000 9457670000	1925530150 1925530300 1925530500 1925531000 1925530000	On request	On request			

Preferred types / extracted from the complete line. Please make a separate enquiry for information about the M8 snap-on version, twin cabling and others.

M8 socket

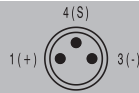
straight



PUR halogen-free	PVC
------------------	-----

9457850150	1927260150
9457850300	1927260300
9457850500	1927260500
9457851000	1927261000
	1927260000

90°



PUR halogen-free	PVC
------------------	-----

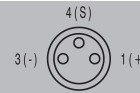
9457380150	1927320150
9457380300	1927320300
9457380500	1927320500
9457381000	1927321000
9457380000	1927320000



PUR halogen-free	PVC
------------------	-----

9456150150	1927340150
9456150300	1927340300
9456150500	1927340500
9456151000	1927341000
9456150000	1927340000

90° angle with 2 LEDs



PUR halogen-free	PVC
------------------	-----

9457460150	1927350150
9457460300	1927350300
9457460500	1927350500
9457461000	1927351000
9457460000	1927350000

On request	On request
------------	------------

1880470150	1927160150
1880470300	1927160300
1880470500	1927160500
1880471000	1927161000
1880470000	1927160000

On request	On request
------------	------------

1535470150
1535470300
1535470500

On request

On request	On request
------------	------------

9456660150	1938200150
9456660300	1938200300
9456660500	1938200500
9456661000	1938201000
9456660000	1938200000

On request	On request
------------	------------

On request	On request
------------	------------

1437510150
1437510300
1437510500
1437511000

On request

On request	On request
------------	------------

1824580150	1927170150
1824580300	1927170300
1824580500	1927170500
1824581000	1927171000
1824580000	1927170000

On request	On request
------------	------------

1857670150	1927210150
1857670300	1927210300
1857670500	1927210500
1857671000	1927211000
1857670000	1927210000

On request	On request
------------	------------

On request	On request
------------	------------

1857660150	1927180150
1857660300	1927180300
1857660500	1927180500
1857661000	1927181000
1857660000	1927180000

On request	On request
------------	------------

1857680150	1927220150
1857680300	1927220300
1857680500	1927220500
1857681000	1927221000
1857680000	1927220000

On request	On request
------------	------------

9456670150	1938210150
9456670300	1938210300
9456670500	1938210500
9456671000	1938211000
9456670000	1938210000

On request	On request
------------	------------

On request	On request
------------	------------

1906340150	1938220150
1906340300	1938220300
1906340500	1938220500
1906341000	1938221000
1906340000	1938220000

On request	On request
------------	------------

1877250150	1927190150
1877250300	1927190300
1877250500	1927190500
1877251000	1927191000
1877250000	1927190000

On request	On request
------------	------------

On request	On request
------------	------------

On request	On request
------------	------------

9457760150
9457760300
9457760500
9457761000
9457760000

On request

On request	On request
------------	------------

On request	On request
------------	------------

On request	On request
------------	------------

On request	On request
------------	------------

On request	On request
------------	------------

Overview of sensor cables

**B**

		No. of poles	Cable material	M12 socket																								
				straight																								
One end free			1.5 m 3.0 m 5.0 m 10.0 m variable	 1(+) 4(S) 3(-)	 1(+) 4(S) 2(0) 3(-)																							
				<table border="1"> <thead> <tr> <th>PUR halogen-free</th> <th>PVC</th> </tr> </thead> <tbody> <tr><td>9457820150</td><td>1925570150</td></tr> <tr><td>9457820300</td><td>1925570300</td></tr> <tr><td>9457820500</td><td>1925570500</td></tr> <tr><td>9457821000</td><td>1925571000</td></tr> <tr><td>9457820000</td><td>1925570000</td></tr> </tbody> </table>	PUR halogen-free	PVC	9457820150	1925570150	9457820300	1925570300	9457820500	1925570500	9457821000	1925571000	9457820000	1925570000	<table border="1"> <thead> <tr> <th>PUR halogen-free</th> <th>PVC</th> </tr> </thead> <tbody> <tr><td>9457730150</td><td>1925580150</td></tr> <tr><td>9457730300</td><td>1925580300</td></tr> <tr><td>9457730500</td><td>1925580500</td></tr> <tr><td>9457731000</td><td>1925581000</td></tr> <tr><td>9457730000</td><td>1925580000</td></tr> </tbody> </table>	PUR halogen-free	PVC	9457730150	1925580150	9457730300	1925580300	9457730500	1925580500	9457731000	1925581000	9457730000
PUR halogen-free	PVC																											
9457820150	1925570150																											
9457820300	1925570300																											
9457820500	1925570500																											
9457821000	1925571000																											
9457820000	1925570000																											
PUR halogen-free	PVC																											
9457730150	1925580150																											
9457730300	1925580300																											
9457730500	1925580500																											
9457731000	1925581000																											
9457730000	1925580000																											
M8 plug	straight	 4(S) 1(+) 3(-)	1.5 m 3.0 m 5.0 m 10.0 m variable	1937950150 1937950300 1937950500 1937951000 1937950000	1938230150 1938230300 1938230500 1938231000 1938230000																							
		 2(0) 1(+) 4(S) 3(-)	1.5 m 3.0 m 5.0 m 10.0 m variable	On request	On request	On request																						
	90°	 4(S) 1(+) 3(-)	1.5 m 3.0 m 5.0 m 10.0 m variable	On request	On request	On request																						
		 2(0) 1(+) 4(S) 3(-)	1.5 m 3.0 m 5.0 m 10.0 m variable	On request	On request	On request																						
M12 plug	straight	 3(-) 1(+) 4(S)	1.5 m 3.0 m 5.0 m 10.0 m variable	9457230150 9457230300 9457230500 9457231000 9457230000	1925300150 1925300300 1925300500 1925301000 1925300000																							
		 2(0) 3(-) 1(+) 4(S)	1.5 m 3.0 m 5.0 m 10.0 m variable	On request	On request	On request																						
		 2(0) 3(-) 1(+) 4(S)	1.5 m 3.0 m 5.0 m 10.0 m variable	On request	On request	On request																						
		 3(-) 1(+) 4(S)	1.5 m 3.0 m 5.0 m 10.0 m variable	1821050150 1821050300 1821050500 1821051000 1821050000	On request	On request																						
	90°	 3(-) 1(+) 4(S)	1.5 m 3.0 m 5.0 m 10.0 m variable	On request	On request	On request																						
		 2(0) 3(-) 1(+) 4(S)	1.5 m 3.0 m 5.0 m 10.0 m variable	On request	On request	On request																						
		 2(0) 3(-) 1(+) 4(S)	1.5 m 3.0 m 5.0 m 10.0 m variable	On request	On request	On request																						
		 2(0) 3(-) 1(+) 4(S)	1.5 m 3.0 m 5.0 m 10.0 m variable	On request	On request	On request																						

M12 socket

straight



PUR halogen-free	PVC
------------------	-----

9457910150	1925590150
9457910300	1925590300
9457910500	1925590500
9457911000	1925591000
9457910000	1925590000

90°



PUR halogen-free	PVC
------------------	-----

9457320150	1925630150
9457320300	1925630300
9457320500	1925630500
9457321000	1925631000
9457320000	1925630000



PUR halogen-free	PVC
------------------	-----

9457740150	1925640150
9457740300	1925640300
9457740500	1925640500
9457741000	1925641000
9457740000	1925640000



PUR halogen-free	PVC
------------------	-----

9457690150	1925650150
9457690300	1925650300
9457690500	1925650500
9457691000	1925651000
9457690000	1925650000

On request	On request
------------	------------

1937960150	1938240150
1937960300	1938240300
1937960500	1938240500
1937961000	1938241000
1937960000	1938240000

On request	On request
------------	------------

1937990150	1938270150
1937990300	1938270300
1937990500	1938270500
1937991000	1938271000
1937990000	1938270000

On request	On request
------------	------------

On request	On request
------------	------------

On request	On request
------------	------------

1937970150	1938250150
1937970300	1938250300
1937970500	1938250500
1937971000	1938251000
1937970000	1938250000

On request	On request
------------	------------

1938000150	1938280150
1938000300	1938280300
1938000500	1938280500
1938001000	1938281000
1938000000	1938280000

On request	On request
------------	------------

On request	On request
------------	------------

On request	On request
------------	------------

9457390150	1925340150
9457390300	1925340300
9457390500	1925340500
9457391000	1925341000
9457390000	1925340000

On request	On request
------------	------------

9457310150	1925350150
9457310300	1925350300
9457310500	1925350500
9457311000	1925351000
9457310000	1925350000

On request	On request
------------	------------

On request	On request
------------	------------

9457340150	1925320150
9457340300	1925320300
9457340500	1925320500
9457341000	1925321000
9457340000	1925320000

On request	On request
------------	------------

On request	On request
------------	------------

9457270150	1925360150
9457270300	1925360300
9457270500	1925360500
9457271000	1925361000
9457270000	1925360000

On request	On request
------------	------------

1815670150	1925380150
1815670300	1925380300
1815670500	1925380500
1815671000	1925381000
1815670000	1925380000

On request	On request
------------	------------

1906310150	1925390150
1906310300	1925390300
1906310500	1925390500
1906311000	1925391000
1906310000	1925390000

On request	On request
------------	------------

On request	On request
------------	------------

9456500150
9456500300
9456500500
9456501000
9456500000

On request	On request
------------	------------

On request	On request
------------	------------

9457900150	1925400150
9457900300	1925400300
9457900500	1925400500
9457901000	1925401000
9457900000	1925400000

Overview of sensor cables

		No. of poles	Cable material	M12 socket		
				90° angle with 2 LEDs		
				PUR halogen-free	PVC	
One end free			1.5 m 3.0 m 5.0 m 10.0 m variable	9457800150 9457800300 9457800500 9457801000 9457800000	1925460150 1925460300 1925460500 1925461000 1925460000	
M8 plug	straight		1.5 m 3.0 m 5.0 m 10.0 m variable	On request	On request	
			1.5 m 3.0 m 5.0 m 10.0 m variable	On request	On request	
	90°		1.5 m 3.0 m 5.0 m 10.0 m variable	On request	On request	
			1.5 m 3.0 m 5.0 m 10.0 m variable	On request	On request	
	M12 plug	straight		1.5 m 3.0 m 5.0 m 10.0 m variable	9457790150 9457790300 9457790500 9457791000 9457790000	1925410150 1925410300 1925410500 1925411000 1925410000
				1.5 m 3.0 m 5.0 m 10.0 m variable	On request	On request
90°			1.5 m 3.0 m 5.0 m 10.0 m variable	On request	On request	
			1.5 m 3.0 m 5.0 m 10.0 m variable	On request	On request	
90°			1.5 m 3.0 m 5.0 m 10.0 m variable	On request	On request	
			1.5 m 3.0 m 5.0 m 10.0 m variable	On request	On request	





# Cables with connector at one end only

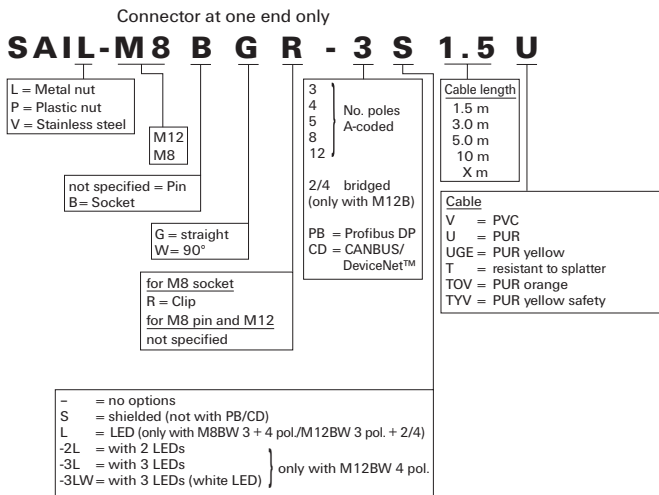


We offer a wide range of products in this category:

- Straight and angled plug-in connectors with optional LED status indicator
- Various numbers of poles: 3, 4, 5, 8 and 12 poles
- Different cable diameters from 0.25 mm<sup>2</sup> to 0.75 mm<sup>2</sup>
- Both PVC and PUR cables; the latter are suitable for use in drag chains

Weidmüller offers cables in standard lengths of 1.5 m, 3 m, 5 m and 10 m. **All other lengths are available on request!**

## Example of designation



M12



M8



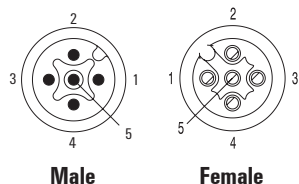
M8 snap



Twin cabling



**One end without connector**  
**M12**  
**A-coded**



**Ordering data**

Male, straight	
PVC	1.5 m
PUR halogen-free	1.5 m
PUR halogen-free yellow	1.5 m
Welding spark resistant halogen-free	1.5 m
Male, angled	
PVC	1.5 m
PUR halogen-free	1.5 m
PUR halogen-free yellow	1.5 m
Welding spark resistant halogen-free	1.5 m
Female, straight	
PVC	1.5 m
PUR halogen-free	1.5 m
PUR halogen-free yellow	1.5 m
Welding spark resistant halogen-free	1.5 m
Female, angled	
PVC	1.5 m
PUR halogen-free	1.5 m
PUR halogen-free yellow	1.5 m
Welding spark resistant halogen-free	1.5 m
Note	
Other lengths on request	

3-pole	
SAIL-M12G-3-1.5V	1925430150
SAIL-M12G-3-1.5U	9457810150
SAIL-M12G-3-1.5UGE	1092980150
SAIL-M12G-3-1.5T	1021750150
4-pole	
SAIL-M12W-3-1.5V	1925510150
SAIL-M12W-3-1.5U	9456690150
SAIL-M12W-3-1.5UGE	1093160150
SAIL-M12W-3-1.5T	1021760150
5-pole	
SAIL-M12BG-3-1.5V	1925570150
SAIL-M12BG-3-1.5U	9457820150
SAIL-M12BG-3-1.5UGE	1092910150
SAIL-M12BG-3-1.5T	1968590150
3-pole	
SAIL-M12G-4-1.5V	1925440150
SAIL-M12G-4-1.5U	9456100150
SAIL-M12G-4-1.5UGE	1077750150
SAIL-M12G-4-1.5T	1021770150
4-pole	
SAIL-M12W-4-1.5V	1925520150
SAIL-M12W-4-1.5U	1906260150
SAIL-M12W-4-1.5UGE	1093170150
SAIL-M12W-4-1.5T	1021790150
5-pole	
SAIL-M12BG-4-1.5V	1925580150
SAIL-M12BG-4-1.5U	9457730150
SAIL-M12BG-4-1.5UGE	1092920150
SAIL-M12BG-4-1.5T	1968580150
3-pole	
SAIL-M12BW-3-1.5V	1925630150
SAIL-M12BW-3-1.5U	9457320150
SAIL-M12BW-3-1.5UGE	1092940150
SAIL-M12BW-3-1.5T	1968560150
4-pole	
SAIL-M12BG-4-1.5V	1925580150
SAIL-M12BG-4-1.5U	9457730150
SAIL-M12BG-4-1.5UGE	1092920150
SAIL-M12BG-4-1.5T	1968580150
5-pole	
SAIL-M12BW-4-1.5V	1925640150
SAIL-M12BW-4-1.5U	9457740150
SAIL-M12BW-4-1.5UGE	1092960150
SAIL-M12BW-4-1.5T	1968570150
Note	
Other lengths on request	

3-pole	
SAIL-M12G-3-1.5V	1925430150
SAIL-M12G-3-1.5U	9457810150
SAIL-M12G-3-1.5UGE	1092980150
SAIL-M12G-3-1.5T	1021750150
4-pole	
SAIL-M12W-3-1.5V	1925510150
SAIL-M12W-3-1.5U	9456690150
SAIL-M12W-3-1.5UGE	1093160150
SAIL-M12W-3-1.5T	1021760150
5-pole	
SAIL-M12BG-3-1.5V	1925570150
SAIL-M12BG-3-1.5U	9457820150
SAIL-M12BG-3-1.5UGE	1092910150
SAIL-M12BG-3-1.5T	1968590150
3-pole	
SAIL-M12G-4-1.5V	1925440150
SAIL-M12G-4-1.5U	9456100150
SAIL-M12G-4-1.5UGE	1077750150
SAIL-M12G-4-1.5T	1021770150
4-pole	
SAIL-M12W-4-1.5V	1925520150
SAIL-M12W-4-1.5U	1906260150
SAIL-M12W-4-1.5UGE	1093170150
SAIL-M12W-4-1.5T	1021790150
5-pole	
SAIL-M12BG-4-1.5V	1925580150
SAIL-M12BG-4-1.5U	9457730150
SAIL-M12BG-4-1.5UGE	1092920150
SAIL-M12BG-4-1.5T	1968580150
3-pole	
SAIL-M12BW-3-1.5V	1925630150
SAIL-M12BW-3-1.5U	9457320150
SAIL-M12BW-3-1.5UGE	1092940150
SAIL-M12BW-3-1.5T	1968560150
4-pole	
SAIL-M12BG-4-1.5V	1925580150
SAIL-M12BG-4-1.5U	9457730150
SAIL-M12BG-4-1.5UGE	1092920150
SAIL-M12BG-4-1.5T	1968580150
5-pole	
SAIL-M12BW-4-1.5V	1925640150
SAIL-M12BW-4-1.5U	9457740150
SAIL-M12BW-4-1.5UGE	1092960150
SAIL-M12BW-4-1.5T	1968570150
Note	
Other lengths on request	

3-pole	
SAIL-M12G-3-1.5V	1925430150
SAIL-M12G-3-1.5U	9457810150
SAIL-M12G-3-1.5UGE	1092980150
SAIL-M12G-3-1.5T	1021750150
4-pole	
SAIL-M12W-3-1.5V	1925510150
SAIL-M12W-3-1.5U	9456690150
SAIL-M12W-3-1.5UGE	1093160150
SAIL-M12W-3-1.5T	1021760150
5-pole	
SAIL-M12BG-3-1.5V	1925570150
SAIL-M12BG-3-1.5U	9457820150
SAIL-M12BG-3-1.5UGE	1092910150
SAIL-M12BG-3-1.5T	1968590150
3-pole	
SAIL-M12G-4-1.5V	1925440150
SAIL-M12G-4-1.5U	9456100150
SAIL-M12G-4-1.5UGE	1077750150
SAIL-M12G-4-1.5T	1021770150
4-pole	
SAIL-M12W-4-1.5V	1925520150
SAIL-M12W-4-1.5U	1906260150
SAIL-M12W-4-1.5UGE	1093170150
SAIL-M12W-4-1.5T	1021790150
5-pole	
SAIL-M12BG-4-1.5V	1925580150
SAIL-M12BG-4-1.5U	9457730150
SAIL-M12BG-4-1.5UGE	1092920150
SAIL-M12BG-4-1.5T	1968580150
3-pole	
SAIL-M12BW-3-1.5V	1925630150
SAIL-M12BW-3-1.5U	9457320150
SAIL-M12BW-3-1.5UGE	1092940150
SAIL-M12BW-3-1.5T	1968560150
4-pole	
SAIL-M12BG-4-1.5V	1925580150
SAIL-M12BG-4-1.5U	9457730150
SAIL-M12BG-4-1.5UGE	1092920150
SAIL-M12BG-4-1.5T	1968580150
5-pole	
SAIL-M12BW-4-1.5V	1925640150
SAIL-M12BW-4-1.5U	9457740150
SAIL-M12BW-4-1.5UGE	1092960150
SAIL-M12BW-4-1.5T	1968570150
Note	
Other lengths on request	

**Standard cable lengths**

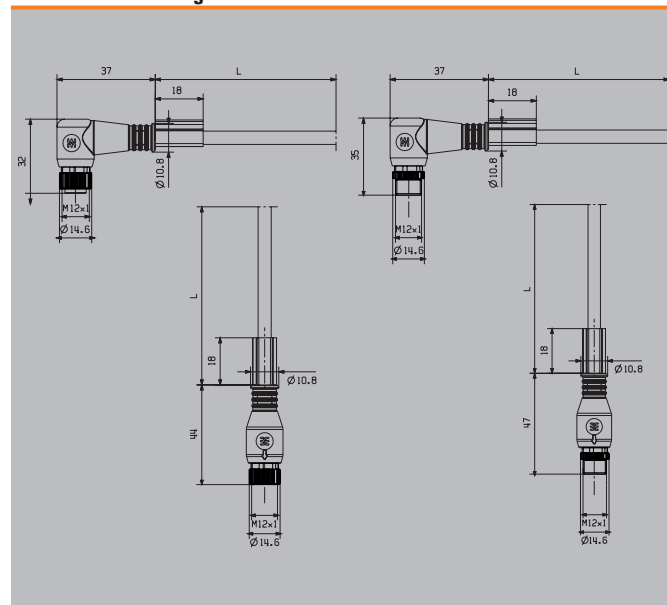
All cables listed in the ordering data have a length of 1.5 metres. The last four ordering digits must be changed when ordering other standard cable lengths.	1.5 m	xxxxxx0150
	3.0 m	xxxxxx0300
	5.0 m	xxxxxx0500
	10.0 m	xxxxxx1000

**Technical data**

Core cross-section	0.34 mm <sup>2</sup>
Rated voltage	250 V (3- and 4-pole) / 60 V (5-pole)
Rated current	4 A
Temperature range of housing	-25...+85 °C
Contact surface	Gold-plated
Protection degree	IP65, IP66, IP67, IP68, IP69, when screwed in
AF size	12
Tightening torque	M12: 0.8 - 1.2 Nm
Approvals	CE; cULus

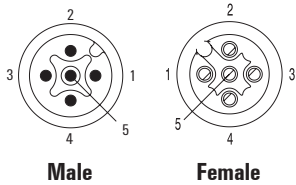
Further technical data of the cables on catalog.weidmuller.com and in Chapter W (Technical Annex)

**Dimensioned drawing**



**Sensor cables**

**One end without connector**  
**M12**  
**A-coded**  
**with plastic threaded ring**



**Ordering data**

Male, straight	
PUR halogen-free	1.5 m
Male, angled	
PUR halogen-free	1.5 m
Female, straight	
PUR halogen-free	1.5 m
Female, angled	
PUR halogen-free	1.5 m
Note	

3-pole	
SAIP-M12G-3-1.5U	<b>1108800150</b>
SAIP-M12W-3-1.5U	<b>1108670150</b>
SAIP-M12BG-3-1.5U	<b>1108730150</b>
SAIP-M12BW-3-1.5U	<b>1108770150</b>
Other lengths on request	

4-pole	
SAIP-M12G-4-1.5U	<b>1108810150</b>
SAIP-M12W-4-1.5U	<b>1108680150</b>
SAIP-M12BG-4-1.5U	<b>1108740150</b>
SAIP-M12BW-4-1.5U	<b>1108780150</b>
Other lengths on request	

5-pole	
SAIP-M12G-5-1.5U	<b>1108820150</b>
SAIP-M12W-5-1.5U	<b>1108690150</b>
SAIP-M12BG-5-1.5U	<b>1108750150</b>
SAIP-M12BW-5-1.5U	<b>1108790150</b>
Other lengths on request	

**Standard cable lengths**

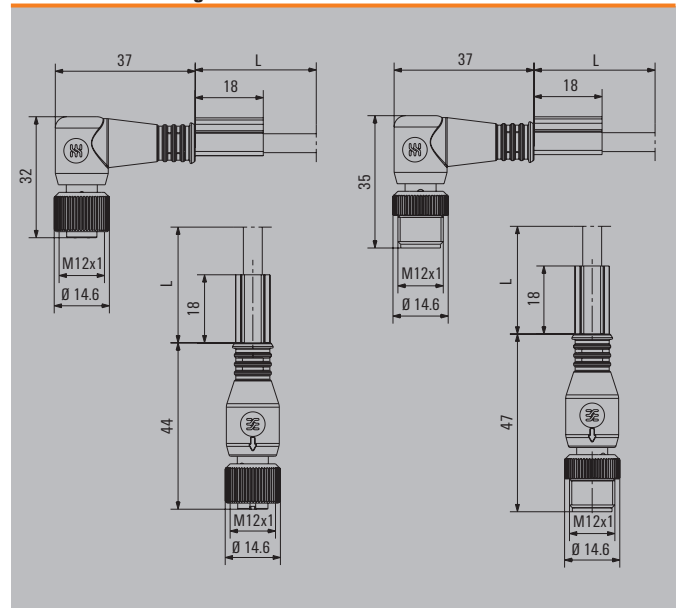
All cables listed in the ordering data have a length of 1.5 metres. The last four ordering digits must be changed when ordering other standard cable lengths.	1.5 m	xxxxxx0150
	3.0 m	xxxxxx0300
	5.0 m	xxxxxx0500
	10.0 m	xxxxxx1000

**Technical data**

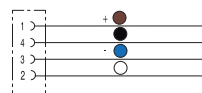
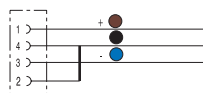
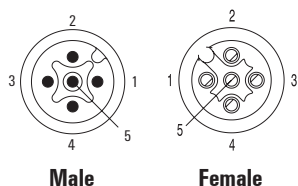
Core cross-section	0.34 mm <sup>2</sup>
Rated voltage	250 V (3- and 4-pole) / 60 V (5-pole)
Rated current	4 A
Temperature range of housing	-25...+85 °C
Contact surface	Gold-plated
Protection degree	IP65, IP66, IP67, IP68, when screwed in
AF size	
Tightening torque	M12 (plastic nut): 0.6 - 0.8 Nm
Approvals	CE; cULus

Further technical data of the cables on [catalog.weidmueller.com](http://catalog.weidmueller.com) and in Chapter W (Technical Annex)

**Dimensioned drawing**



One end without connector  
**M12**  
**A-coded**  
 with stainless steel thread and  
 bridge between pin 2 and 4  
**1.4404/316L**



**Ordering data**

<b>Female, straight</b>	
PUR halogen-free	1.5 m
<b>Female, angled</b>	
PUR halogen-free	1.5 m
<b>Note</b>	

3-pole	
SAIV-M12BG-2/4-1.5U	<b>1939410150</b>
SAIV-M12BW-2/4-1.5U	<b>1939370150</b>
Other lengths on request	

4-pole	
SAIV-M12BG-4-1.5U	<b>9457950150</b>
SAIV-M12BW-4-1.5U	<b>9457960150</b>
Other lengths on request	

**Standard cable lengths**

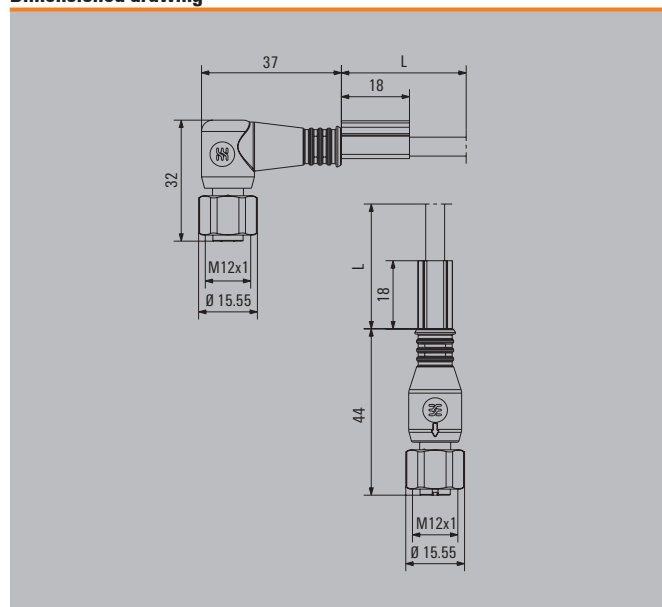
All cables listed in the ordering data have a length of 1.5 metres. The last four ordering digits must be changed when ordering other standard cable lengths.	1.5 m	xxxxxx0150
	3.0 m	xxxxxx0300
	5.0 m	xxxxxx0500
	10.0 m	xxxxxx1000

**Technical data**

Core cross-section	0.34 mm <sup>2</sup>
Rated voltage	250 V
Rated current	4 A
Temperature range of housing	-25...+85 °C
Contact surface	Gold-plated
Protection degree	IP65, IP66, IP67, IP68, when screwed in
AF size	14
Tightening torque	M12: 0.8 - 1.2 Nm
Approvals	CE; cULus

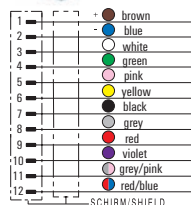
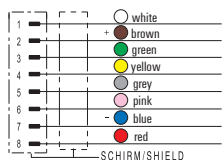
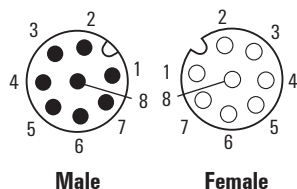
Further technical data of the cables on [catalog.weidmueller.com](http://catalog.weidmueller.com) and in Chapter W (Technical Annex)

**Dimensioned drawing**





One end without connector  
**M12**  
**A-coded**  
**shielded**



**Ordering data**

Male, straight	
PUR halogen-free	1.5 m
Male, angled	
PUR halogen-free	1.5 m
Female, straight	
PUR halogen-free	1.5 m
Female, angled	
PUR halogen-free	1.5 m
Male, angled - female, straight	
PUR halogen-free	1.5 m
Male, straight - female, straight	
PUR halogen-free	1.5 m
Male, straight - female, angled	
PUR halogen-free	1.5 m
Note	

8-pole	
SAIL-M12G-8S1.5U	1279430150
SAIL-M12W-8S1.5U	1276060150
SAIL-M12BG-8S1.5U	1890520150
SAIL-M12BW-8S1.5U	1275470150
SAIL-M12WM12G-8S1.5U	1373680150
SAIL-M12GM12G-8S1.5U	1279460150
SAIL-M12GM12W-8S1.5U	1279470150
Other lengths on request	

12-pole	
SAIL-M12BG-12S1.5U	1424270150
SAIL-M12BW-12S1.5U	1424280150
Other lengths on request	

**Standard cable lengths**

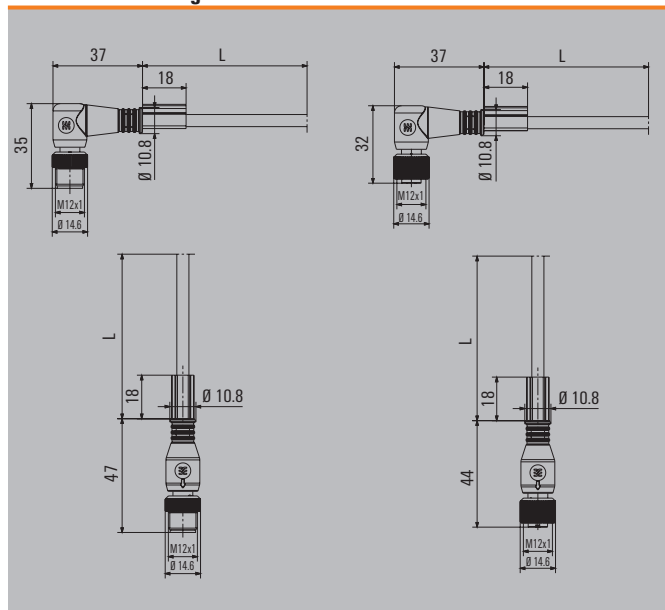
All cables listed in the ordering data have a length of 1.5 metres. The last four ordering digits must be changed when ordering other standard cable lengths.	1.5 m	xxxxxx0150
	3.0 m	xxxxxx0300
	5.0 m	xxxxxx0500
	10.0 m	xxxxxx1000

**Technical data**

Wire cross section	0.25 (8-pole)/ 0.14 (12-pole)
Rated voltage	30 V
Rated current	2 A
Temperature range of housing	-40 ... +85 °C
Contact surface	Gold-plated
Protection degree	IP65, IP66, IP67, when screwed in
AF size	13
Tightening torque	M12: 0.8 - 1.2 Nm
Approvals	CE; cULus

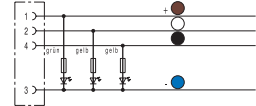
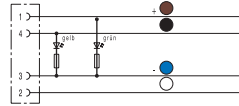
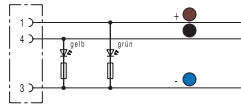
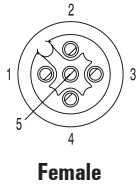
Further technical data of the cables on catalog.weidmuller.com and in Chapter W (Technical Annex)

**Dimensioned drawing**



**Sensor cables**

**One end without connector**  
**M12 with LED**  
**A-coded**



**Ordering data**

Female, straight	
PUR	1.5 m
PUR	2.0 m
Female, angled	
PVC	1.5 m
PUR halogen-free	1.5 m
PUR halogen-free yellow	1.5 m
Welding spark resistant halogen-free	1.5 m
<b>Note</b>	

2 LEDs	3-pole
SAIL-M12BG-3L1.5U	<b>1292620150</b>
SAIL-M12BW-3L1.5V	<b>1925460150</b>
SAIL-M12BW-3L1.5U	<b>9457800150</b>
SAIL-M12BW-3L1.5UGE	<b>1114880150</b>
SAIL-M12BW-3L1.5T	<b>1004330150</b>
Other lengths on request	

2 LEDs	4-pole
SAIL-M12BG-4-2L2.0U	<b>1094190200</b>
SAIL-M12BW-4-2L1.5V	<b>1925470150</b>
SAIL-M12BW-4-2L1.5U	<b>9456380150</b>
SAIL-M12BW-4-2L1.5UGE	<b>1092950150</b>
SAIL-M12BW-4-2L1.5T	<b>1007000150</b>
Other lengths on request	

3 LEDs	4-pole
SAIL-M12BW-4-3L1.5V	<b>1963960150</b>
SAIL-M12BW-4-3L1.5U	<b>1963940150</b>
Other lengths on request	

**Standard cable lengths**

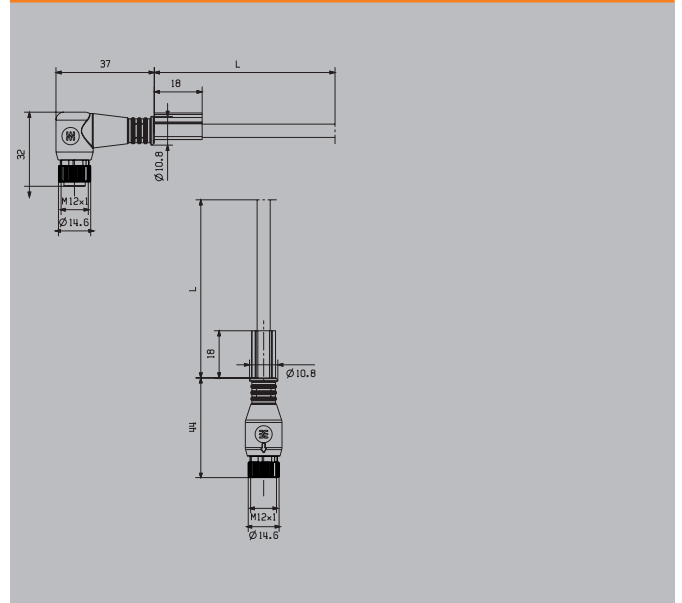
All cables listed in the ordering data have a length of 1.5 metres. The last four ordering digits must be changed when ordering other standard cable lengths.	1.5 m	xxxxxx0150
	3.0 m	xxxxxx0300
	5.0 m	xxxxxx0500
	10.0 m	xxxxxx1000

**Technical data**

Core cross-section	0.34 mm <sup>2</sup>
Rated voltage	24 V DC
Rated current	4 A
Temperature range of housing	-25...+85 °C
Contact surface	Gold-plated
Protection degree	IP65, IP66, IP67, IP68, when screwed in
AF size	12
Tightening torque	M12: 0.8 - 1.2 Nm
Approvals	CE; UL

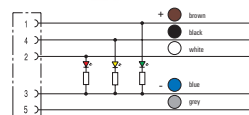
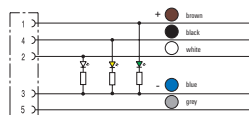
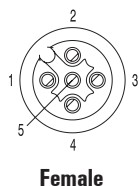
Further technical data of the cables on catalog.weidmuller.com and in Chapter W (Technical Annex)

**Dimensioned drawing**





**One end without connector**  
**M12 with LED**  
**A-coded**



**Ordering data**

<b>Female, angled</b>	
Welding spark resistant halogen-free	1.5 m
<b>Note</b>	

<b>3 LEDs (white)</b>	<b>5-pole</b>
SAIL-M12BW-5-3LW1.5TP	<b>1022930150</b>
Other lengths on request	

<b>3 LEDs (red)</b>	<b>5-pole</b>
SAIL-M12BW-5-3LR1.5TP	<b>1282890150</b>
Other lengths on request	

Other lengths on request	

**Standard cable lengths**

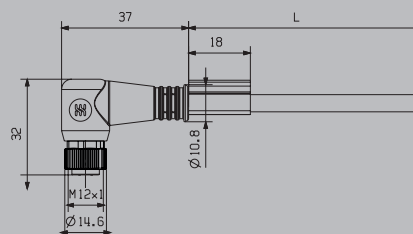
All cables listed in the ordering data have a length of 1.5 metres. The last four ordering digits must be changed when ordering other standard cable lengths.	1.5 m	xxxxxx0150
	3.0 m	xxxxxx0300
	5.0 m	xxxxxx0500
	10.0 m	xxxxxx1000

**Technical data**

Core cross-section	0.34 mm <sup>2</sup>
Rated voltage	24 V DC
Rated current	4 A
Temperature range of housing	-25...+85 °C
Contact surface	Gold-plated
Protection degree	IP65, IP66, IP67, IP68, when screwed in
AF size	12
Tightening torque	M12: 0.8 - 1.2 Nm
Approvals	CE

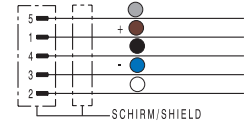
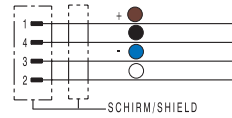
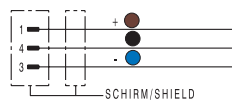
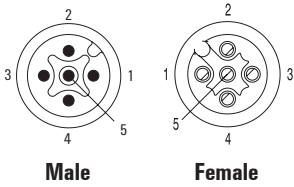
Further technical data of the cables on catalog.weidmueller.com and in Chapter W (Technical Annex)

**Dimensioned drawing**



**Sensor cables**

**One end without connector**  
**M12**  
**A-coded**  
**shielded**



**Ordering data**

Male, straight	
PUR halogen-free	1.5 m
Male, angled	
PUR halogen-free	1.5 m
Female, straight	
PUR halogen-free	1.5 m
Female, angled	
PUR halogen-free	1.5 m
Note	

3-pole	
SAIL-M12G-3S1.5U	<b>1906470150</b>
SAIL-M12W-3S1.5U	<b>1906500150</b>
SAIL-M12BG-3S1.5U	<b>1867410150</b>
SAIL-M12BW-3S1.5U	<b>1906950150</b>
Other lengths on request	

4-pole	
SAIL-M12G-4S1.5U	<b>1906480150</b>
SAIL-M12W-4S1.5U	<b>1059650150</b>
SAIL-M12BG-4S1.5U	<b>1812540150</b>
SAIL-M12BW-4S1.5U	<b>1808970150</b>
Other lengths on request	

5-pole	
SAIL-M12G-5S1.5U	<b>1926690150</b>
SAIL-M12W-5S1.5U	<b>1906520150</b>
SAIL-M12BG-5S1.5U	<b>9456140150</b>
SAIL-M12BW-5S1.5U	<b>1906540150</b>
Other lengths on request	

**Standard cable lengths**

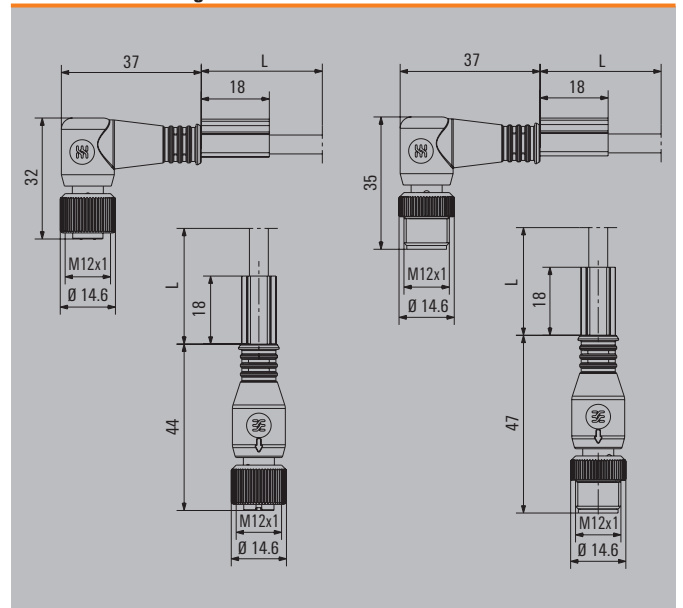
All cables listed in the ordering data have a length of 1.5 metres. The last four ordering digits must be changed when ordering other standard cable lengths.	1.5 m	xxxxxx0150
	3.0 m	xxxxxx0300
	5.0 m	xxxxxx0500
	10.0 m	xxxxxx1000

**Technical data**

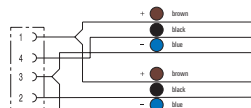
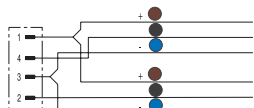
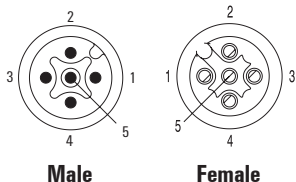
Core cross-section	0.34 mm <sup>2</sup>
Rated voltage	250 V (3- and 4-pole) / 60 V (5-pole)
Rated current	4 A
Temperature range of housing	-25...+85 °C
Contact surface	Gold-plated
Protection degree	IP65, IP66, IP67, IP68, when screwed in
AF size	
Tightening torque	M12: 0.8 - 1.2 Nm
Approvals	CE; cULus

Further technical data of the cables on [catalog.weidmueller.com](http://catalog.weidmueller.com) and in Chapter W (Technical Annex)

**Dimensioned drawing**



One end without connector  
M12 twin cabling



Ordering data

<b>Male straight - open ended</b>	
PUR halogen-free	1.5 m
<b>Female straight - open end</b>	
PUR halogen-free	1.5 m
<b>Note</b>	

	<b>3-pole</b>
SAIL-ZW-3-1.5U	<b>1964310150</b>
Other lengths on request	

	<b>3-pole</b>
SAIL-ZB-3-1.5U	<b>1106800150</b>
Other lengths on request	

Standard cable lengths

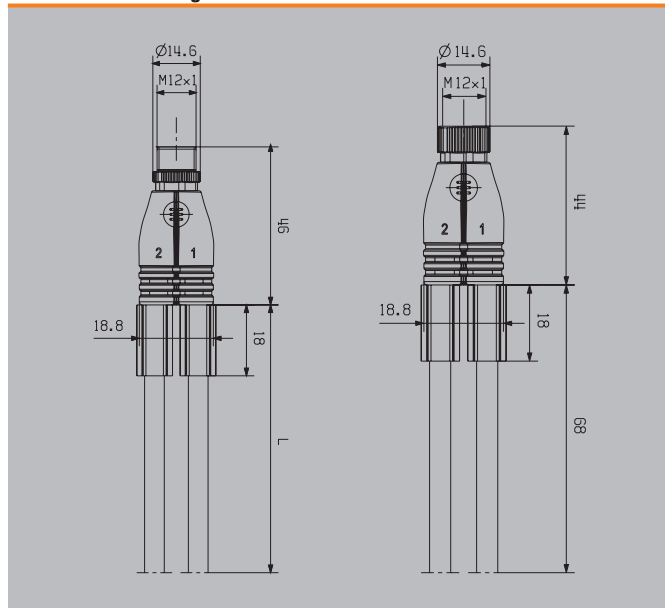
All cables listed in the ordering data have a length of 1.5 metres. The last four ordering digits must be changed when ordering other standard cable lengths.	1.5 m	xxxxxx0150
	3.0 m	xxxxxx0300
	5.0 m	xxxxxx0500
	10.0 m	xxxxxx1000

Technical data

Core cross-section	0.34 mm <sup>2</sup>
Rated voltage	250 V
Rated current	4 A
Temperature range of housing	-25...+85 °C
Contact surface	Gold-plated
Protection degree	IP67, IP68, when screwed in, IP65, IP66
AF size	12
Tightening torque	M12: 0.8 - 1.2 Nm
Approvals	CE, CSA, cULus

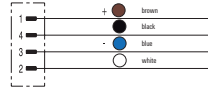
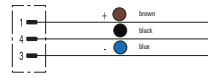
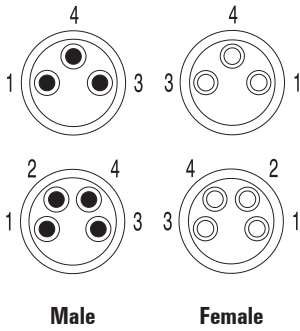
Further technical data of the cables on catalog.weidmuller.com and in Chapter W (Technical Annex)

Dimensioned drawing



**Sensor cables**

**One end without connector  
M8**



**Ordering data**

Male, straight	
PVC	1.5 m
PUR halogen-free	1.5 m
Male, angled	
PVC	1.5 m
PUR halogen-free	1.5 m
Female, straight	
PVC	1.5 m
PUR halogen-free	1.5 m
PUR halogen-free yellow	1.5 m
Female, angled	
PVC	1.5 m
PUR halogen-free	1.5 m
PUR halogen-free yellow	1.5 m
Note	
Other lengths on request	

3-pole	
SAIL-M8G-3-1.5V	1927230150
SAIL-M8G-3-1.5U	1824590150
SAIL-M8W-3-1.5V	1927310150
SAIL-M8W-3-1.5U	1857550150
SAIL-M8BG-3-1.5V	1927240150
SAIL-M8BG-3-1.5U	9457450150
SAIL-M8BG-3-1.5UGE	1093190150
SAIL-M8BW-3-1.5V	1927320150
SAIL-M8BW-3-1.5U	9457380150
SAIL-M8BW-3-1.5UGE	1093220150
Other lengths on request	

4-pole	
SAIL-M8G-4-1.5V	1927250150
SAIL-M8G-4-1.5U	1906270150
SAIL-M8W-4-1.5V	1927330150
SAIL-M8W-4-1.5U	1857560150
SAIL-M8BG-4-1.5V	1927260150
SAIL-M8BG-4-1.5U	9457850150
SAIL-M8BG-4-1.5UGE	1093200150
SAIL-M8BW-4-1.5V	1927340150
SAIL-M8BW-4-1.5U	9456150150
SAIL-M8BW-4-1.5UGE	1093240150
Other lengths on request	

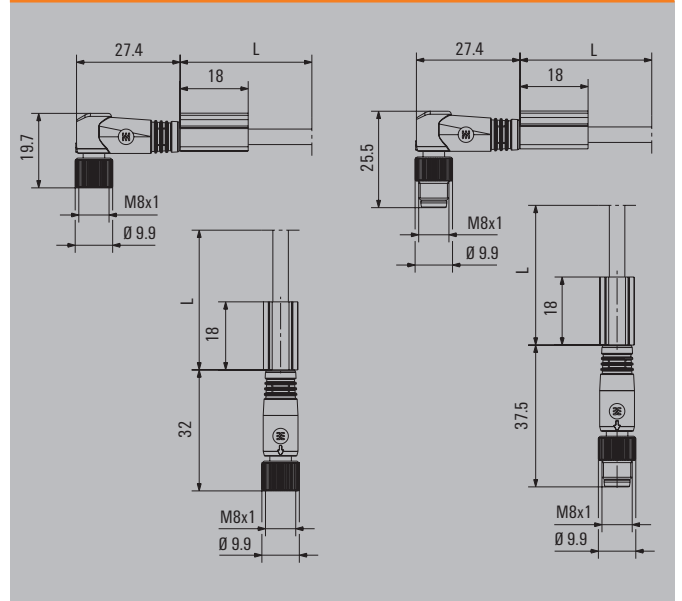
**Standard cable lengths**

All cables listed in the ordering data have a length of 1.5 metres. The last four ordering digits must be changed when ordering other standard cable lengths.	1.5 m	xxxxxx0150
	3.0 m	xxxxxx0300
	5.0 m	xxxxxx0500
	10.0 m	xxxxxx1000

**Technical data**

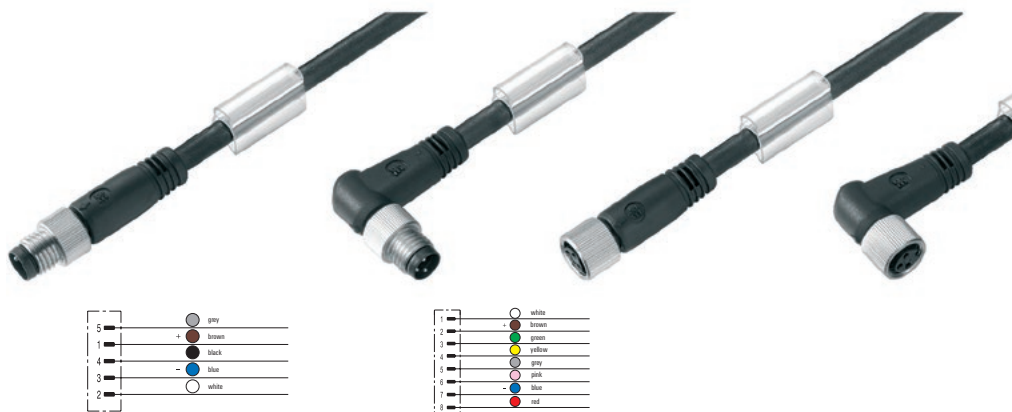
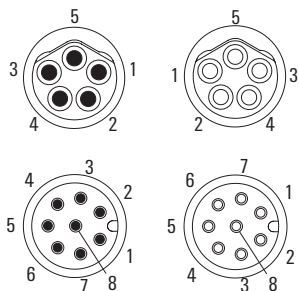
Core cross-section	0.25 mm <sup>2</sup>
Rated voltage	60 V
Rated current	4 A
Temperature range of housing	-25...+85 °C
Contact surface	Gold-plated
Protection degree	IP65, IP66, IP67, IP68, IP69, when screwed in
AF size	
Tightening torque	M8: 0.5 - 0.6 Nm
Approvals	CE; cULus

**Dimensioned drawing**



Further technical data of the cables on catalog.weidmuller.com and in Chapter W (Technical Annex)

One end without connector  
M8



Ordering data

<b>Male, straight</b>	
PUR halogen-free	1.5 m
<b>Male, angled</b>	
PUR halogen-free	1.5 m
<b>Female, straight</b>	
PUR halogen-free	1.5 m
<b>Female, angled</b>	
PUR halogen-free	1.5 m
<b>Note</b>	

	5-pole
SAIL-M8G-5-1.5U	2455040150
SAIL-M8W-5-1.5U	2466630150
SAIL-M8BG-5-1.5U	2466650150
SAIL-M8BW-5-1.5U	2466640150
Other lengths on request	

	8-pole
SAIL-M8G-8-1.5U	1555330150
SAIL-M8W-8-1.5U	1555340150
SAIL-M8BG-8-1.5U	1555370150
SAIL-M8BW-8-1.5U	1555380150
Other lengths on request	

Standard cable lengths

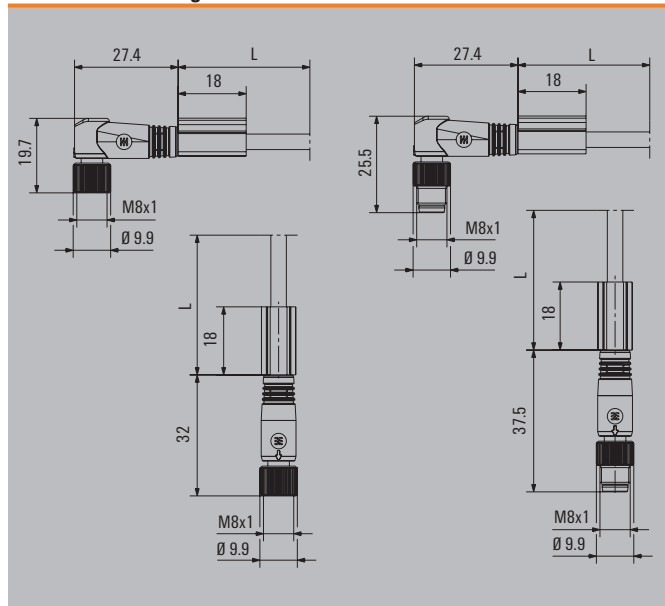
All cables listed in the ordering data have a length of 1.5 metres. The last four ordering digits must be changed when ordering other standard cable lengths.	1.5 m	xxxxxx0150
	3.0 m	xxxxxx0300
	5.0 m	xxxxxx0500
	10.0 m	xxxxxx1000

Technical data

Core cross-section	0.25 mm <sup>2</sup>
Rated voltage	60 V (5-poles) / 30 V (8-poles)
Rated current	3 A
Temperature range of housing	-25...+85 °C
Contact surface	Gold-plated
Protection degree	IP69K, IP65, IP66
AF size	
Tightening torque	M8: 0.5 - 0.6 Nm
Approvals	CE

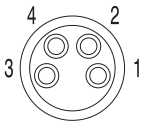
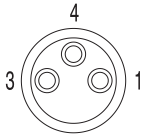
Further technical data of the cables on catalog.weidmueller.com and in Chapter W (Technical Annex)

Dimensioned drawing

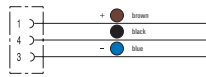


Sensor cables

One end without connector  
**M8**  
 Snap connection



Female



Ordering data

Female, straight	
PVC	1.5 m
PUR halogen-free	1.5 m
Female, angled	
PVC	1.5 m
PUR halogen-free	1.5 m
Note	
Other lengths on request	

3-pole

SAIL-M8BGR-3-1.5V	<b>1948710150</b>
SAIL-M8BGR-3-1.5U	<b>1827020150</b>
SAIL-M8BWR-3-1.5V	<b>1948720150</b>
SAIL-M8BWR-3-1.5U	<b>1827010150</b>
Note	
Other lengths on request	

4-pole

SAIL-M8BGR-4-1.5V	<b>1948730150</b>
SAIL-M8BGR-4-1.5U	<b>1948530150</b>
SAIL-M8BWR-4-1.5V	<b>1948740150</b>
SAIL-M8BWR-4-1.5U	<b>1948540150</b>
Note	
Other lengths on request	

Standard cable lengths

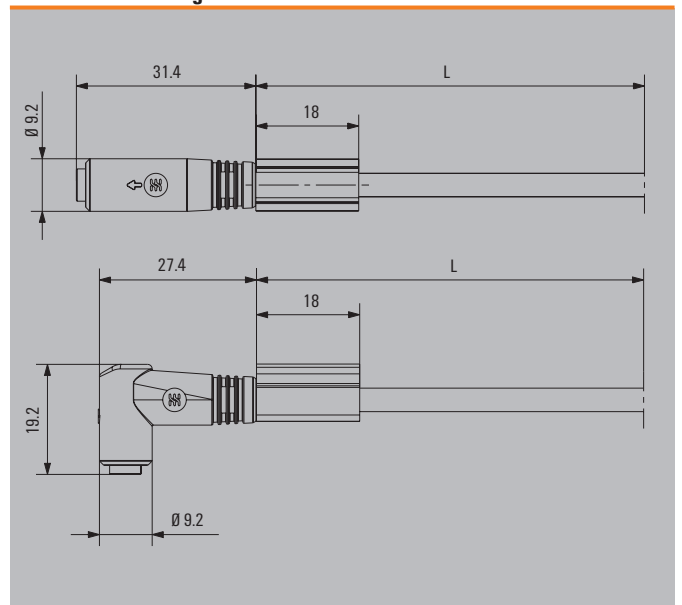
All cables listed in the ordering data have a length of 1.5 metres. The last four ordering digits must be changed when ordering other standard cable lengths.	1.5 m	xxxxxx0150
	3.0 m	xxxxxx0300
	5.0 m	xxxxxx0500
	10.0 m	xxxxxx1000

Technical data

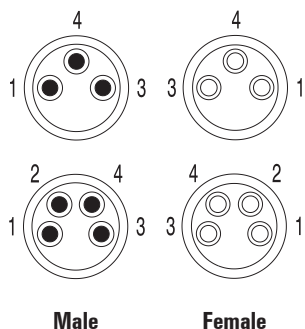
Core cross-section	0.25 mm <sup>2</sup>
Rated voltage	60 V
Rated current	4 A
Temperature range of housing	-25...+85 °C
Contact surface	Gold-plated
Protection degree	IP65 (in plugged condition)
AF size	
Tightening torque	
Approvals	CE; cULus

Further technical data of the cables on [catalog.weidmuller.com](http://catalog.weidmuller.com) and in Chapter W (Technical Annex)

Dimensioned drawing



**One end without connector**  
**M8**  
**shielded**



**Ordering data**

Male, straight	
PUR halogen-free	1.5 m
Male, angled	
PUR halogen-free	1.5 m
Female, straight	
PUR halogen-free	1.5 m
Female, angled	
PUR halogen-free	1.5 m
Note	

3-pole	
SAIL-M8G-3S1.5U	1906560150
SAIL-M8W-3S1.5U	1906580150
SAIL-M8BG-3S1.5U	1906600150
SAIL-M8BW-3S1.5U	1906620150
Other lengths on request	

4-pole	
SAIL-M8G-4S1.5U	1906570150
SAIL-M8W-4S1.5U	1906590150
SAIL-M8BG-4S1.5U	1906610150
SAIL-M8BW-4S1.5U	1906630150
Other lengths on request	

**Standard cable lengths**

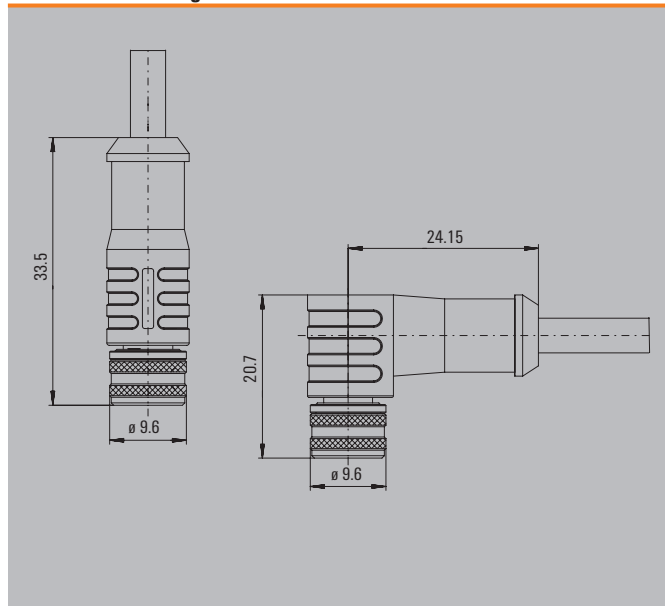
All cables listed in the ordering data have a length of 1.5 metres. The last four ordering digits must be changed when ordering other standard cable lengths.	1.5 m	xxxxxx0150
	3.0 m	xxxxxx0300
	5.0 m	xxxxxx0500
	10.0 m	xxxxxx1000

**Technical data**

Core cross-section	0.34 mm <sup>2</sup>
Rated voltage	60 V
Rated current	4 A
Temperature range of housing	-25...+85 °C
Contact surface	Gold-plated
Protection degree	IP65, IP66, IP67, IP68, when screwed in
AF size	
Tightening torque	M8: 0.5 - 0.6 Nm
Approvals	CE; cULus

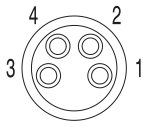
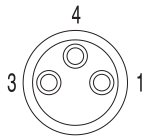
Further technical data of the cables on catalog.weidmuller.com and in Chapter W (Technical Annex)

**Dimensioned drawing**



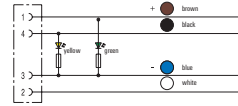
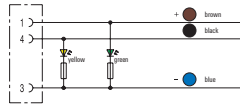
**Sensor cables**

**One end without connector  
M8 with LED**



**Male**

**Female**



**Ordering data**

Female, angled	
PVC	1.5 m
PUR halogen-free	1.5 m
PUR halogen-free yellow	1.5 m
<b>Note</b>	

**2 LEDs**

**3-pole**

SAIL-M8BW-3L1.5V	<b>1927350150</b>
SAIL-M8BW-3L1.5U	<b>9457460150</b>
SAIL-M8BW-3L1.5UGE	<b>1093210150</b>
Other lengths on request	

**2 LEDs**

**4-pole**

SAIL-M8BW-4L1.5V	<b>1927360150</b>
SAIL-M8BW-4L1.5U	<b>1906400150</b>
SAIL-M8BW-4L1.5UGE	<b>1093230150</b>
Other lengths on request	

**Standard cable lengths**

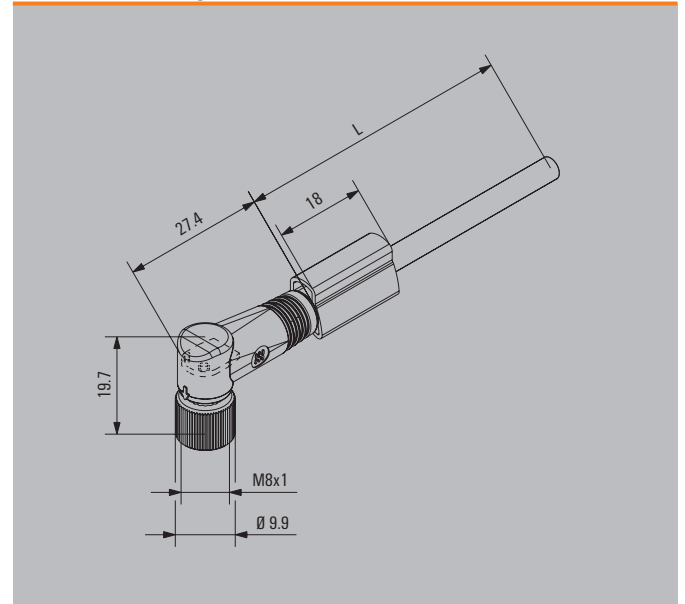
All cables listed in the ordering data have a length of 1.5 metres. The last four ordering digits must be changed when ordering other standard cable lengths.	1.5 m	xxxxxx0150
	3.0 m	xxxxxx0300
	5.0 m	xxxxxx0500
	10.0 m	xxxxxx1000

**Technical data**

Core cross-section	0.25 mm <sup>2</sup>
Rated voltage	24 V DC
Rated current	4 A
Temperature range of housing	-25...+85 °C
Contact surface	Gold-plated
Protection degree	IP65, IP66, IP67, IP68, when screwed in
AF size	
Tightening torque	M8: 0.5 - 0.6 Nm
Approvals	CE, CSA, UL

Further technical data of the cables on [catalog.weidmueller.com](http://catalog.weidmueller.com) and in Chapter W (Technical Annex)

**Dimensioned drawing**





One end without connector  
M16



Female

Ordering data

Female, angled	
PUR halogen-free	1.5 m
Note	

12-pole

SAIL-M16BW-12-1.5U	1259010150
Other lengths on request	



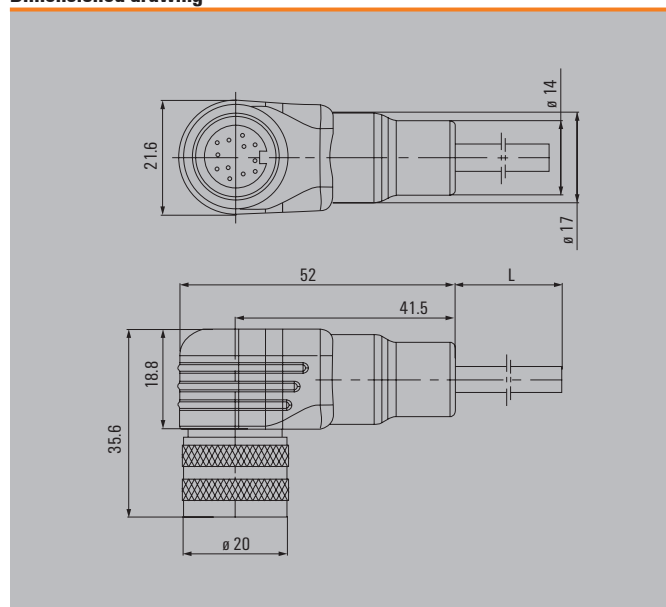
Standard cable lengths

All cables listed in the ordering data have a length of 1.5 metres. The last four ordering digits must be changed when ordering other standard cable lengths.	1.5 m	xxxxxx0150
	3.0 m	xxxxxx0300
	5.0 m	xxxxxx0500
	10.0 m	xxxxxx1000

Technical data

Core cross-section	0.25 mm <sup>2</sup>
Rated voltage	60 V
Rated current	3 A
Temperature range of housing	-25 ... +70 °C
Contact surface	Gold-plated
Protection degree	IP67
AF size	
Tightening torque	M16: 0.6 Nm
Approvals	CE

Dimensioned drawing



# Connecting cables

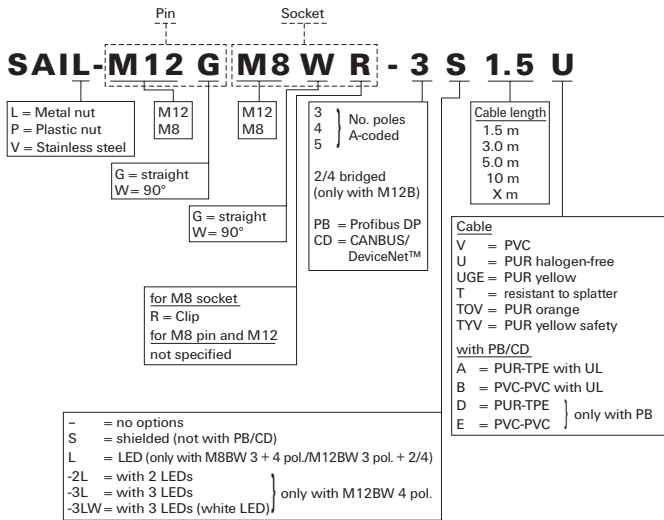


**We offer a wide range of products in this category:**

- Straight and angled plug-in connectors with optional LED status indicator
- Various numbers of poles: 3, 4, 5, 8 and 12 poles
- Different cable diameters from 0.25 mm<sup>2</sup> to 0.75 mm<sup>2</sup>
- Both PVC and PUR cables; the latter are suitable for use in drag chains
- Two pre-assembled label holders per cable

Weidmüller offers cables in standard lengths of 1.5 m, 3 m, 5 m and 10 m. **All other lengths are available on request!**

## Example of designation



**M12**



**M8**



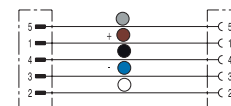
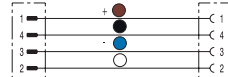
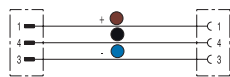
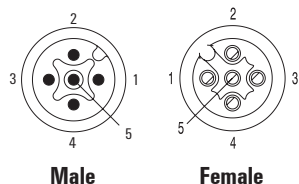
**M8 snap**



**Twin cabling**



**Connecting cables**  
**M12 to M12**  
**A-coded**



**Ordering data**

Male, straight - Female, straight	
PVC	1.5 m
PUR halogen-free	1.5 m
PUR halogen-free yellow	1.5 m
Welding spark resistant halogen-free	1.5 m
Male, straight - Female, angled	
PVC	1.5 m
PUR halogen-free	1.5 m
PUR halogen-free yellow	1.5 m
Welding spark resistant halogen-free	1.5 m
Male, angled - Female, angled	
PVC	1.5 m
PUR halogen-free	1.5 m
Note	

3-pole	
SAIL-M12GM12G-3-1.5V	1925300150
SAIL-M12GM12G-3-1.5U	9457230150
SAIL-M12GM12G-3-1.5UGE	1093010150
SAIL-M12GM12G-3-1.5T	1021710150
Male, straight - Female, angled	
SAIL-M12GM12W-3-1.5V	1925340150
SAIL-M12GM12W-3-1.5U	9457390150
SAIL-M12GM12W-3-1.5UGE	1093050150
SAIL-M12GM12W-3-1.5T	1021720150
Male, angled - Female, angled	
SAIL-M12WM12W-3-1.5V	1925380150
SAIL-M12WM12W-3-1.5U	1815670150
Other lengths on request	

4-pole	
SAIL-M12GM12G-4-1.5V	1925310150
SAIL-M12GM12G-4-1.5U	1906300150
SAIL-M12GM12G-4-1.5UGE	1093020150
SAIL-M12GM12G-4-1.5T	1021730150
Male, straight - Female, angled	
SAIL-M12GM12W-4-1.5V	1925350150
SAIL-M12GM12W-4-1.5U	9457310150
SAIL-M12GM12W-4-1.5UGE	1093070150
SAIL-M12GM12W-4-1.5T	1021740150
Male, angled - Female, angled	
SAIL-M12WM12W-4-1.5V	1925390150
SAIL-M12WM12W-4-1.5U	1906310150
Other lengths on request	

5-pole	
SAIL-M12GM12G-5-1.5V	1925320150
SAIL-M12GM12G-5-1.5U	9457340150
SAIL-M12GM12G-5-1.5UGE	1093030150
SAIL-M12GM12G-5-1.5T	1011970150
Male, straight - Female, angled	
SAIL-M12GM12W-5-1.5V	1925360150
SAIL-M12GM12W-5-1.5U	9457270150
SAIL-M12GM12W-5-1.5UGE	1093080150
SAIL-M12GM12W-5-1.5T	1011990150
Male, angled - Female, angled	
SAIL-M12WM12W-5-1.5V	1925400150
SAIL-M12WM12W-5-1.5U	9457900150
Other lengths on request	

**Standard cable lengths**

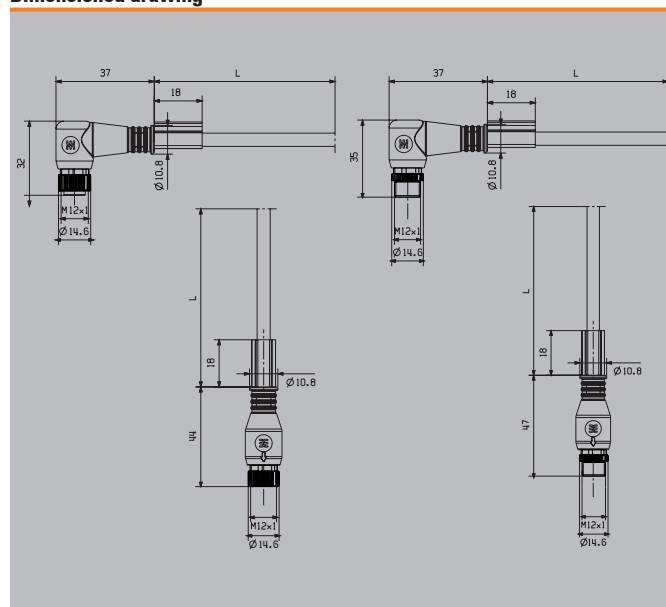
All cables listed in the ordering data have a length of 1.5 metres. The last four ordering digits must be changed when ordering other standard cable lengths.	1.5 m	xxxxxx0150
	3.0 m	xxxxxx0300
	5.0 m	xxxxxx0500
	10.0 m	xxxxxx1000

**Technical data**

Core cross-section	0.34 mm <sup>2</sup>
Rated voltage	250 V (3- and 4-pole) / 60 V (5-pole)
Rated current	4 A
Temperature range of housing	-25...+85 °C
Contact surface	Gold-plated
Protection degree	IP65, IP66, IP67, IP68, IP69, when screwed in
AF size	12
Tightening torque	M12: 0.8 - 1.2 Nm
Approvals	CE; cULus

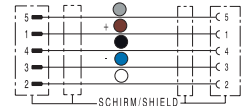
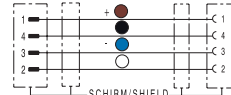
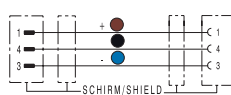
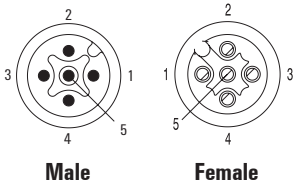
Further technical data of the cables on [catalog.weidmuller.com](http://catalog.weidmuller.com) and in Chapter W (Technical Annex)

**Dimensioned drawing**



**Sensor cables**

**Connecting cables**  
**M12 to M12**  
**A-coded**  
**shielded**



**Ordering data**

<b>Male, straight - Female, straight</b>	
PUR halogen-free	1.5 m
<b>Male, straight - Female, angled</b>	
PUR halogen-free	1.5 m
<b>Male, angled - Female, angled</b>	
PUR halogen-free	1.5 m
<b>Note</b>	

		3-pole
	SAIL-M12GM12G-3S1.5U	1058490150
	SAIL-M12GM12W-3S1.5U	1059470150
	SAIL-M12WM12W-3S1.5U	1059720150
	Other lengths on request	

		4-pole
	SAIL-M12GM12G-4S1.5U	1058500150
	SAIL-M12GM12W-4S1.5U	1059480150
	SAIL-M12WM12W-4S1.5U	1059730150
	Other lengths on request	

		5-pole
	SAIL-M12GM12G-5S1.5U	1058510150
	SAIL-M12GM12W-5S1.5U	1059540150
	SAIL-M12WM12W-5S1.5U	1059740150
	Other lengths on request	

**Standard cable lengths**

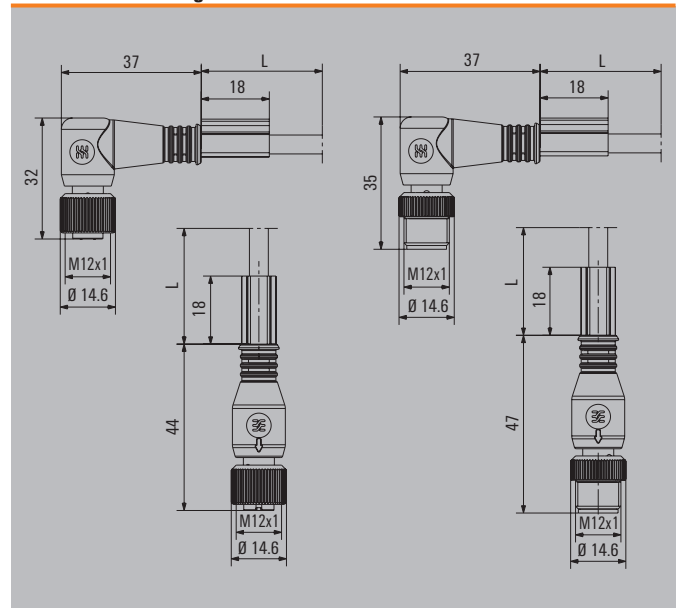
All cables listed in the ordering data have a length of 1.5 metres. The last four ordering digits must be changed when ordering other standard cable lengths.	1.5 m	xxxxxx0150
	3.0 m	xxxxxx0300
	5.0 m	xxxxxx0500
	10.0 m	xxxxxx1000

**Technical data**

Core cross-section	0.34 mm <sup>2</sup>
Rated voltage	250 V (3- and 4-pole) / 60 V (5-pole)
Rated current	4 A
Temperature range of housing	-25...+85 °C
Contact surface	Gold-plated
Protection degree	IP65, IP66, IP67, IP68, when screwed in
AF size	
Tightening torque	M12: 0.8 - 1.2 Nm
Approvals	CE; cULus

Further technical data of the cables on [catalog.weidmueller.com](http://catalog.weidmueller.com) and in Chapter W (Technical Annex)

**Dimensioned drawing**

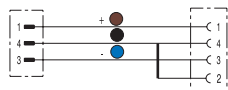
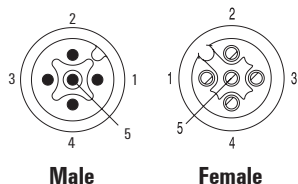


Connecting cables

M12 to M12

A-coded

Bridge between pin 2 and 4



Ordering data

Male, straight - Female, straight	
PVC	1.5 m
PUR halogen-free	1.5 m
PUR halogen-free yellow	1.5 m
Male, straight - Female, angled	
PVC	1.5 m
PUR halogen-free	1.5 m
PUR halogen-free yellow	1.5 m
<b>Note</b>	

3-pole	
SAIL-M12GM12G-2/4-1.5V	1925330150
SAIL-M12GM12G-2/4-1.5U	9456990150
SAIL-M12GM12G-2/4-1.5UGE	1093000150
SAIL-M12GM12W-2/4-1.5V	1925370150
SAIL-M12GM12W-2/4-1.5U	9457890150
SAIL-M12GM12W-2/4-1.5UGE	1093040150
Other lengths on request	

Standard cable lengths

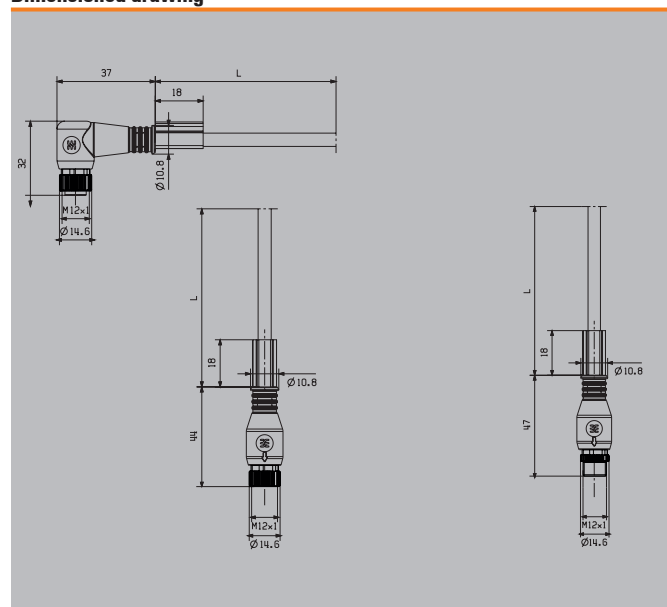
All cables listed in the ordering data have a length of 1.5 metres. The last four ordering digits must be changed when ordering other standard cable lengths.	1.5 m	xxxxxx0150
	3.0 m	xxxxxx0300
	5.0 m	xxxxxx0500
	10.0 m	xxxxxx1000

Technical data

Core cross-section	0.34 mm <sup>2</sup>
Rated voltage	250 V
Rated current	4 A
Temperature range of housing	-25...+85 °C
Contact surface	Gold-plated
Protection degree	IP65, IP66, IP67, IP68, IP69, when screwed in
AF size	12
Tightening torque	M12: 0.8 - 1.2 Nm
Approvals	CE; cULus

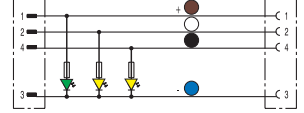
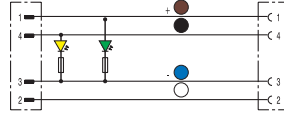
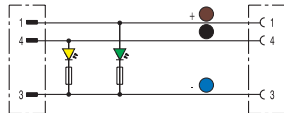
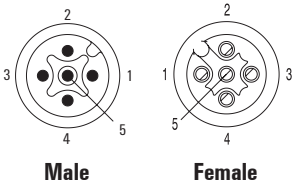
Further technical data of the cables on catalog.weidmueller.com and in Chapter W (Technical Annex)

Dimensioned drawing



**Sensor cables**

**Connecting cables**  
**M12 to M12 with LED**  
**A-coded**



**Ordering data**

Male, straight - Female, angled	
PVC	1.5 m
PUR halogen-free	1.5 m
PUR halogen-free yellow	1.5 m
Welding spark resistant halogen-free	1.5 m
<b>Note</b>	

2 LEDs	3-pole
SAIL-M12GM12W-3L1.5V	<b>1925410150</b>
SAIL-M12GM12W-3L1.5U	<b>9457790150</b>
SAIL-M12GM12W-3L1.5T	<b>1004320150</b>
Other lengths on request	

3 LEDs	4-pole
SAIL-M12GM12W-4-3L1.5V	<b>1963930150</b>
SAIL-M12GM12W-4-3L1.5U	<b>1963910150</b>
SAIL-M12GM12W-4-3LW1.5UGE	<b>1093060150</b>
SAIL-M12GM12W-4-3LW1.5T	<b>1020930150</b>
Other lengths on request	

2 LEDs	4-pole
SAIL-M12GM12W-4-2L1.5V	<b>1925420150</b>
SAIL-M12GM12W-4-2L1.5U	<b>1906410150</b>
SAIL-M12GM12W-4-2L1.5T	<b>1004310150</b>
Other lengths on request	

**Standard cable lengths**

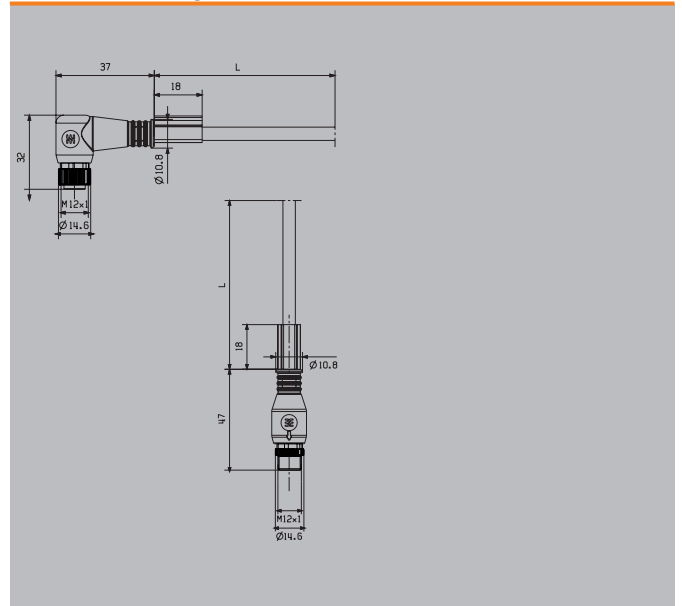
All cables listed in the ordering data have a length of 1.5 metres. The last four ordering digits must be changed when ordering other standard cable lengths.	1.5 m	xxxxxx0150
	3.0 m	xxxxxx0300
	5.0 m	xxxxxx0500
	10.0 m	xxxxxx1000

**Technical data**

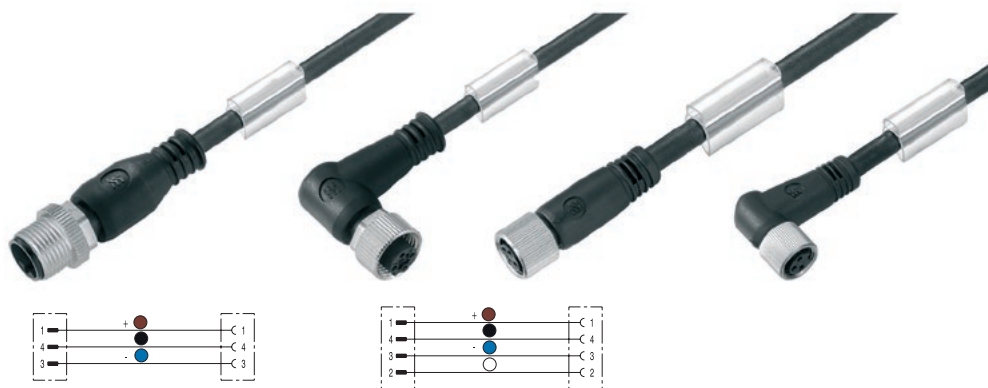
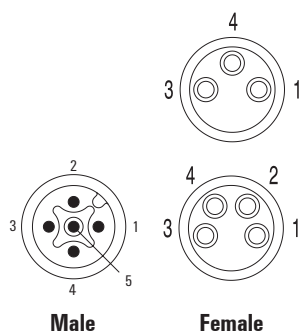
Core cross-section	0.34 mm <sup>2</sup>
Rated voltage	24 V DC
Rated current	4 A
Temperature range of housing	-25...+85 °C
Contact surface	Gold-plated
Protection degree	IP65, IP66, IP67, IP68, IP69, when screwed in
AF size	12
Tightening torque	M12: 0.8 - 1.2 Nm
Approvals	CE; UL

Further technical data of the cables on [catalog.weidmueller.com](http://catalog.weidmueller.com) and in Chapter W (Technical Annex)

**Dimensioned drawing**



Connecting cables  
M12 to M8



Ordering data

Male, straight - Female, straight	
PVC	1.5 m
PUR halogen-free	1.5 m
Male, straight - Female, angled	
PVC	1.5 m
PUR halogen-free	1.5 m
Male, angled - Female, angled	
PVC	1.5 m
PUR halogen-free	1.5 m
<b>Note</b>	

3-pole	
SAIL-M12GM8G-3-1.5V	1938170150
SAIL-M12GM8G-3-1.5U	9457770150
SAIL-M12GM8W-3-1.5V	1938180150
SAIL-M12GM8W-3-1.5U	9457980150
SAIL-M12WM8W-3-1.5V	1938190150
SAIL-M12WM8W-3-1.5U	1906330150
Other lengths on request	

4-pole	
SAIL-M12GM8G-4-1.5V	1938200150
SAIL-M12GM8G-4-1.5U	9456660150
SAIL-M12GM8W-4-1.5V	1938210150
SAIL-M12GM8W-4-1.5U	9456670150
SAIL-M12WM8W-4-1.5V	1938220150
SAIL-M12WM8W-4-1.5U	1906340150
Other lengths on request	

Standard cable lengths

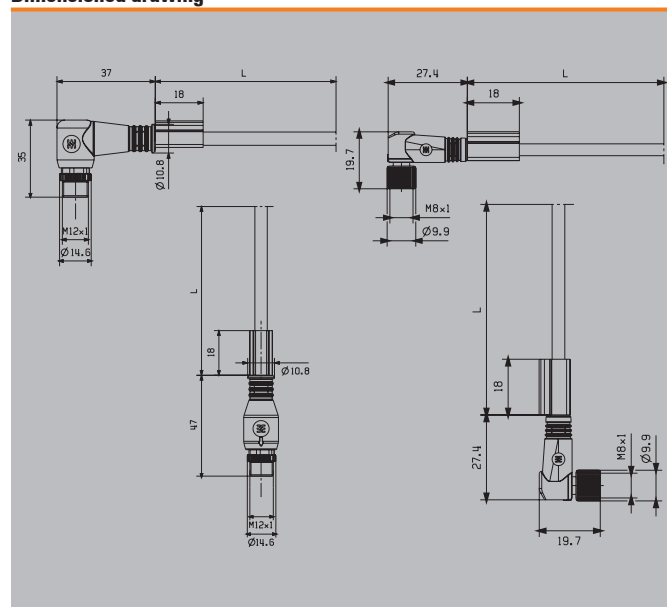
All cables listed in the ordering data have a length of 1.5 metres. The last four ordering digits must be changed when ordering other standard cable lengths.	1.5 m	xxxxxx0150
	3.0 m	xxxxxx0300
	5.0 m	xxxxxx0500
	10.0 m	xxxxxx1000

Technical data

Core cross-section	0.25 mm <sup>2</sup>
Rated voltage	60 V
Rated current	4 A
Temperature range of housing	-25...+85 °C
Contact surface	Gold-plated
Protection degree	IP65, IP66, IP67, IP68, IP69, when screwed in
AF size	12
Tightening torque	M8: 0.5 - 0.6 Nm, M12: 0.8 - 1.2 Nm
Approvals	CE

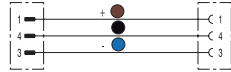
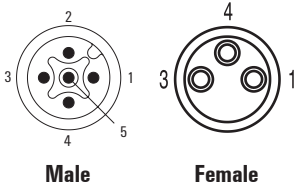
Further technical data of the cables on catalog.weidmuller.com and in Chapter W (Technical Annex)

Dimensioned drawing



Sensor cables

Connecting cables  
M12 to M8  
snap-on connection



Ordering data

<b>Male, straight - Female, straight</b>	
PUR halogen-free	1.5 m
<b>Male, straight - Female, angled</b>	
PUR halogen-free	1.5 m
PUR halogen-free yellow	1.5 m
<b>Note</b>	

		<b>3-pole</b>
SAIL-M12GM8GR-3-1.5U		<b>1984530150</b>
SAIL-M12GM8WR-3-1.5U		<b>9457570150</b>
SAIL-M12GM8WR-3-1.5UGE		<b>1093150150</b>
Other lengths on request		


Standard cable lengths

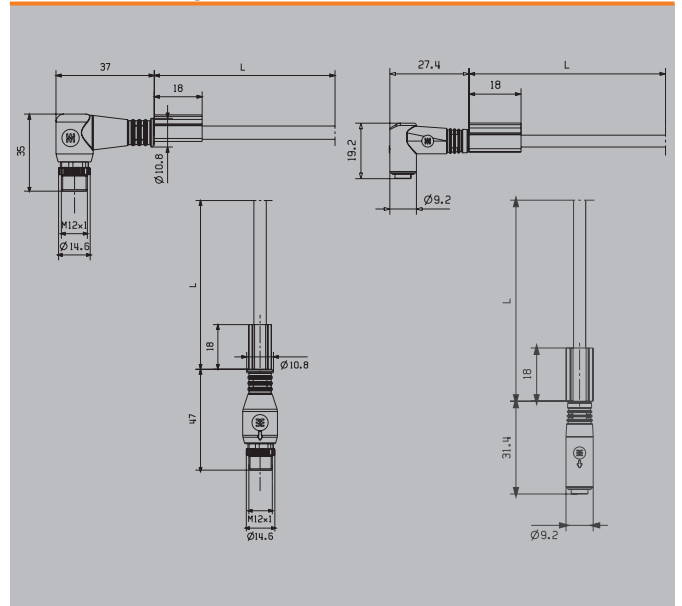
All cables listed in the ordering data have a length of 1.5 metres. The last four ordering digits must be changed when ordering other standard cable lengths.	1.5 m	xxxxxx0150
	3.0 m	xxxxxx0300
	5.0 m	xxxxxx0500
	10.0 m	xxxxxx1000

Technical data

Core cross-section	0.25 mm <sup>2</sup>
Rated voltage	60 V
Rated current	4 A
Temperature range of housing	-25...+85 °C
Contact surface	Gold-plated
Protection degree	IP65 (in plugged condition)
AF size	12
Tightening torque	M12: 0.8 - 1.2 Nm
Approvals	CE

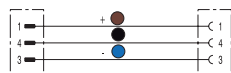
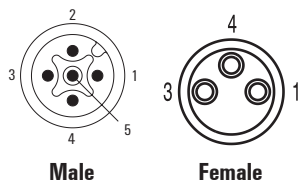
Further technical data of the cables on [catalog.weidmueller.com](http://catalog.weidmueller.com) and in Chapter W (Technical Annex)

Dimensioned drawing





**Connecting cable**  
**M12 to M8**  
**with plastic threaded ring**



**Ordering data**

<b>Male, straight - Female, angled</b>	
PUR halogen-free	1.5 m
<b>Note</b>	

	<b>3-pole</b>
SAIP-M12GM8W-3-1.5U	<b>1220620150</b>
Other lengths on request	

**Standard cable lengths**

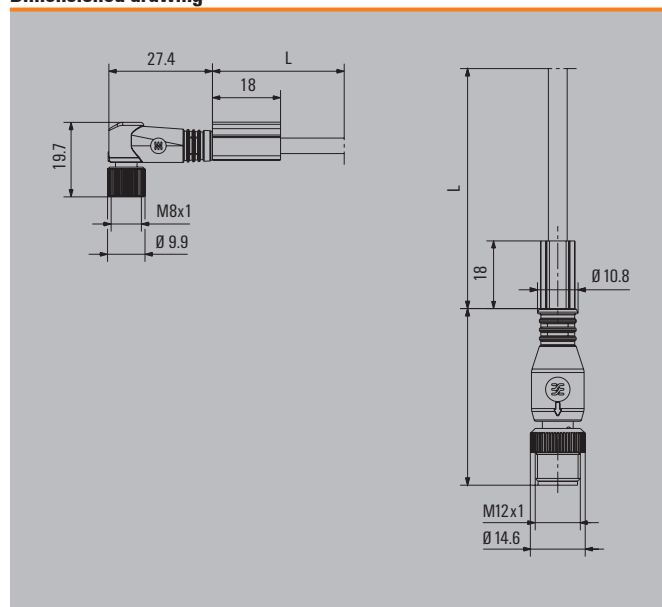
All cables listed in the ordering data have a length of 1.5 metres. The last four ordering digits must be changed when ordering other standard cable lengths.	1.5 m	xxxxxx0150
	3.0 m	xxxxxx0300
	5.0 m	xxxxxx0500
	10.0 m	xxxxxx1000

**Technical data**

Core cross-section	0.25 mm <sup>2</sup>
Rated voltage	60 V
Rated current	4 A
Temperature range of housing	-25...+85 °C
Contact surface	Gold-plated
Protection degree	IP65, IP66, IP67, IP68, when screwed in
AF size	
Tightening torque	M8: 0.5 - 0.6 Nm, M12 (plastic): 0.9 - 1.1 Nm
Approvals	CE

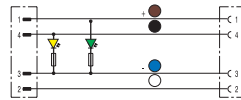
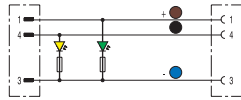
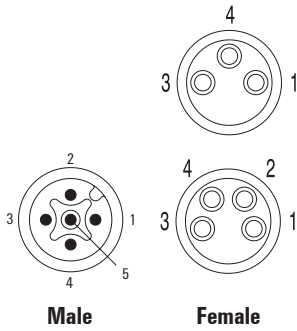
Further technical data of the cables on [catalog.weidmueller.com](http://catalog.weidmueller.com) and in Chapter W (Technical Annex)

**Dimensioned drawing**



**Sensor cables**

**Connecting cables  
M12 to M8 with LED**



**Ordering data**

Male, straight - Female, angled	
PVC	1.5 m
PUR halogen-free	1.5 m
PUR halogen-free yellow	1.5 m
<b>Note</b>	

2 LEDs	3-pole
SAIL-M12GM8W-3L1.5V	<b>1962290150</b>
SAIL-M12GM8W-3L1.5U	<b>9457760150</b>
SAIL-M12GM8W-3L1.5UGE	<b>1093110150</b>
Other lengths on request	

2 LEDs	4-pole
SAIL-M12GM8W-4L1.5V	<b>1962300150</b>
SAIL-M12GM8W-4L1.5U	<b>1906430150</b>
SAIL-M12GM8W-4L1.5UGE	<b>1093130150</b>
Other lengths on request	

**Standard cable lengths**

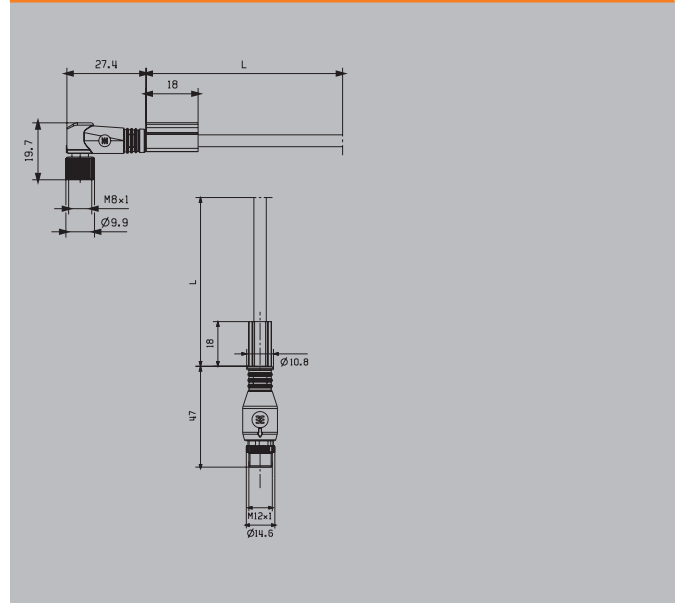
All cables listed in the ordering data have a length of 1.5 metres. The last four ordering digits must be changed when ordering other standard cable lengths.	1.5 m	xxxxxx0150
	3.0 m	xxxxxx0300
	5.0 m	xxxxxx0500
	10.0 m	xxxxxx1000

**Technical data**

Core cross-section	0.25 mm <sup>2</sup>
Rated voltage	24 V DC
Rated current	4 A
Temperature range of housing	-25...+85 °C
Contact surface	Gold-plated
Protection degree	IP65, IP66, IP67, IP68, when screwed in
AF size	12
Tightening torque	M8: 0.5 - 0.6 Nm, M12: 0.8 - 1.2 Nm
Approvals	CE

Further technical data of the cables on [catalog.weidmuller.com](http://catalog.weidmuller.com) and in Chapter W (Technical Annex)

**Dimensioned drawing**



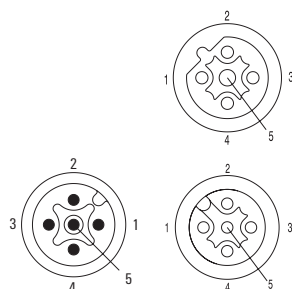
Connecting cables

M12 to USB

A-coded

B-coded

shielded



Male

Female



Ordering data

Socket, straight - USB	
PUR halogen-free, B-coded	1.5 m
PUR halogen-free, A-coded	3.0 m
Male, straight - USB	
PUR halogen-free, A-coded	3.0 m
Note	

	5-pole
SAIL-M12BG-USB-3.0U	1288820300
Other lengths on request	

	5-pole
SAIL-M12BG-B-USB-1.5U	1962800150
Other lengths on request	

	5-pole
SAIL-M12G-USB-3.0U	1268520000
Other lengths on request	

Standard cable lengths

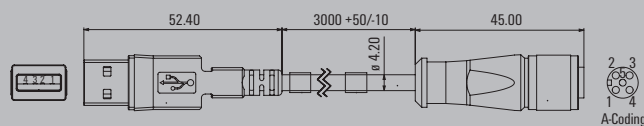
All cables listed in the ordering data have a length of 1.5 metres. The last four ordering digits must be changed when ordering other standard cable lengths.	1.5 m	xxxxxx0150
	3.0 m	xxxxxx0300
	5.0 m	xxxxxx0500
	10.0 m	xxxxxx1000

Technical data

Core cross-section	
Rated voltage	≤ 5 V DC
Rated current	1 A
Temperature range of housing	-25...+80 °C
Contact surface	Gold-plated
Protection degree	IP67
AF size	
Tightening torque	M12: 0.8 - 1.2 Nm
Approvals	CE

Further technical data of the cables on catalog.weidmuller.com and in Chapter W (Technical Annex)

Dimensioned drawing



1288820300 + 1962800150

USB-A Connector	Signal	M12 Connector	Signal
Pin 1	+ 5V	Pin 1	+ 5V
Pin 2	- Data	Pin 2	Data-N
Pin 3	+ Data	Pin 3	Ground
Pin 4	Ground	Pin 4	Data-P
Connector Shielding	Shield	Pin 5	Shield

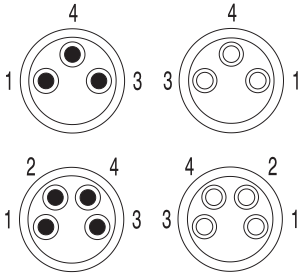
1268520000

USB-A Connector	Signal	M12 Connector	Signal
Pin 1	+ 5V	Pin 1	Data-N
Pin 2	- Data	Pin 2	+ 5V
Pin 3	+ Data	Pin 3	Not connected
Pin 4	Ground	Pin 4	Data-P
Connector Shielding	Shield	Pin 5	Ground

Sensor cables

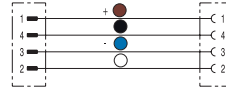
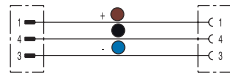
Connecting cables

M8 to M8



Male

Female



Ordering data

Male, straight - Female, straight	
PVC	1.5 m
PUR halogen-free	1.5 m
PUR halogen-free yellow	1.5 m
Male, straight - Female, angled	
PVC	1.5 m
PUR halogen-free	1.5 m
Male, angled - Female, angled	
PVC	1.5 m
PUR halogen-free	1.5 m
<b>Note</b>	

3-pole	
SAIL-M8GM8G-3-1.5V	1927150150
SAIL-M8GM8G-3-1.5U	1824570150
SAIL-M8GM8G-3-1.5UGE	1104470150
SAIL-M8GM8W-3-1.5V	1927170150
SAIL-M8GM8W-3-1.5U	1824580150
SAIL-M8WM8W-3-1.5V	1927210150
SAIL-M8WM8W-3-1.5U	1857670150
Other lengths on request	

4-pole	
SAIL-M8GM8G-4-1.5V	1927160150
SAIL-M8GM8G-4-1.5U	1880470150
SAIL-M8GM8G-4-1.5UGE	1469360150
SAIL-M8GM8W-4-1.5V	1927180150
SAIL-M8GM8W-4-1.5U	1857660150
SAIL-M8WM8W-4-1.5V	1927220150
SAIL-M8WM8W-4-1.5U	1857680150
Other lengths on request	

Standard cable lengths

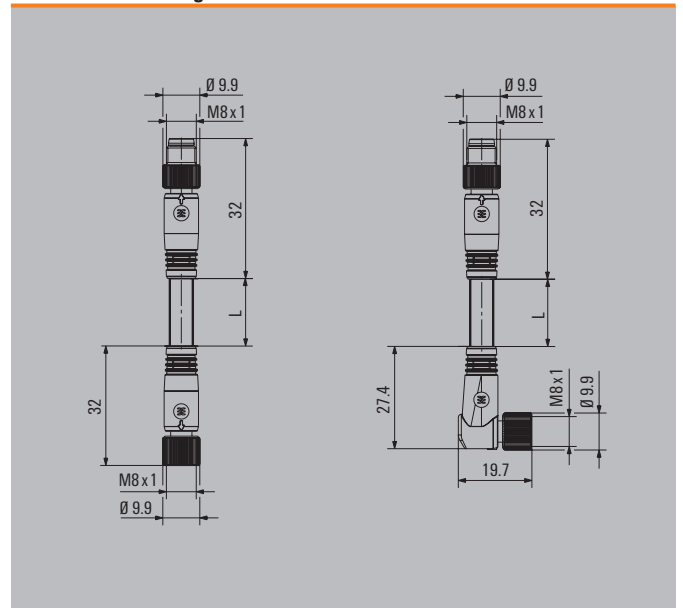
All cables listed in the ordering data have a length of 1.5 metres. The last four ordering digits must be changed when ordering other standard cable lengths.	1.5 m	xxxxxx0150
	3.0 m	xxxxxx0300
	5.0 m	xxxxxx0500
	10.0 m	xxxxxx1000

Technical data

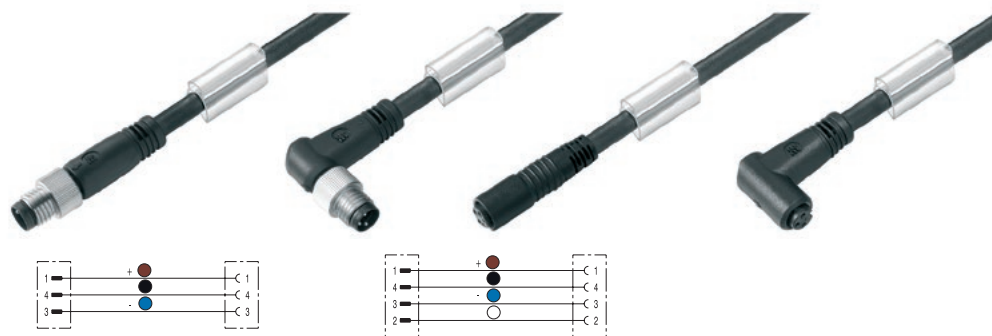
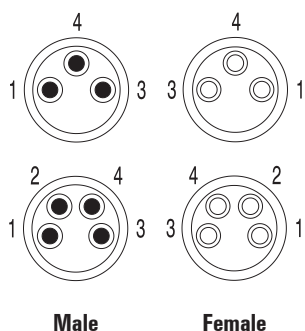
Core cross-section	0.25 mm <sup>2</sup>
Rated voltage	60 V
Rated current	4 A
Temperature range of housing	-25...+85 °C
Contact surface	Gold-plated
Protection degree	IP65, IP66, IP67, IP68, IP69, when screwed in
AF size	
Tightening torque	M8: 0.5 - 0.6 Nm
Approvals	CE; cULus

Further technical data of the cables on catalog.weidmuller.com and in Chapter W (Technical Annex)

Dimensioned drawing



**Connecting cables**  
**M8 to M8**  
**snap-on connection**



**Ordering data**

Male, straight - Female, straight	
PVC	1.5 m
PUR halogen-free	1.5 m
Male, straight - Female, angled	
PVC	1.5 m
PUR halogen-free	1.5 m
Male, angled - Female, angled	
PVC	1.5 m
PUR halogen-free	1.5 m
<b>Note</b>	

3-pole	
SAIL-M8GM8GR-3-1.5V	1948650150
SAIL-M8GM8GR-3-1.5U	1948470150
SAIL-M8GM8WR-3-1.5V	1948660150
SAIL-M8GM8WR-3-1.5U	1948480150
SAIL-M8WM8WR-3-1.5V	1948670150
SAIL-M8WM8WR-3-1.5U	1948490150
Other lengths on request	

4-pole	
SAIL-M8GM8GR-4-1.5V	1948680150
SAIL-M8GM8GR-4-1.5U	1948500150
SAIL-M8GM8WR-4-1.5V	1948690150
SAIL-M8GM8WR-4-1.5U	1948510150
SAIL-M8WM8WR-4-1.5V	1948700150
SAIL-M8WM8WR-4-1.5U	1948520150
Other lengths on request	

**Standard cable lengths**

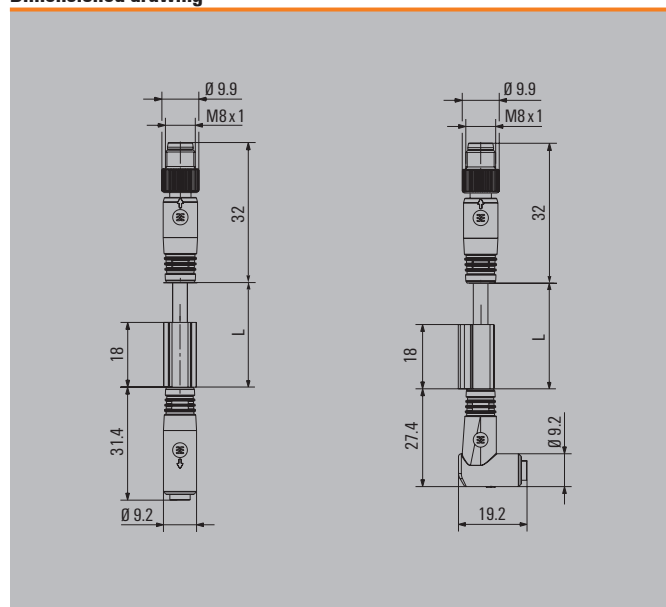
All cables listed in the ordering data have a length of 1.5 metres. The last four ordering digits must be changed when ordering other standard cable lengths.	1.5 m	xxxxxx0150
	3.0 m	xxxxxx0300
	5.0 m	xxxxxx0500
	10.0 m	xxxxxx1000

**Technical data**

Core cross-section	0.25 mm <sup>2</sup>
Rated voltage	60 V
Rated current	4 A
Temperature range of housing	-25...+85 °C
Contact surface	Gold-plated
Protection degree	IP65 (in plugged condition), IP69
AF size	
Tightening torque	M8: 0.5 - 0.6 Nm
Approvals	CE; cULus

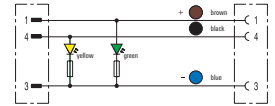
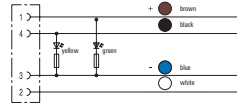
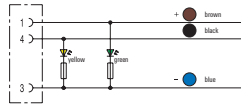
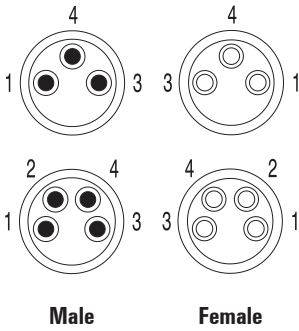
Further technical data of the cables on [catalog.weidmueller.com](http://catalog.weidmueller.com) and in Chapter W (Technical Annex)

**Dimensioned drawing**



**Sensor cables**

**Connecting cables  
M8 to M8 with LED**



**Ordering data**

<b>Male, straight - Female, angled</b>	
PVC	1.5 m
PUR halogen-free	1.5 m
<b>Male straight - Female straight</b>	
PUR halogen-free	1.0 m
<b>Note</b>	

2 LEDs	3-pole
SAIL-M8GM8W-3L1.5V	1927190150
SAIL-M8GM8W-3L1.5U	1877250150
Other lengths on request	

2 LEDs	4-pole
SAIL-M8GM8W-4L1.5V	1927200150
SAIL-M8GM8W-4L1.5U	1906450150
Other lengths on request	

	3-pole
SAIL-M8GM8G-3L1.0U	1550230100
Other lengths on request	

**Standard cable lengths**

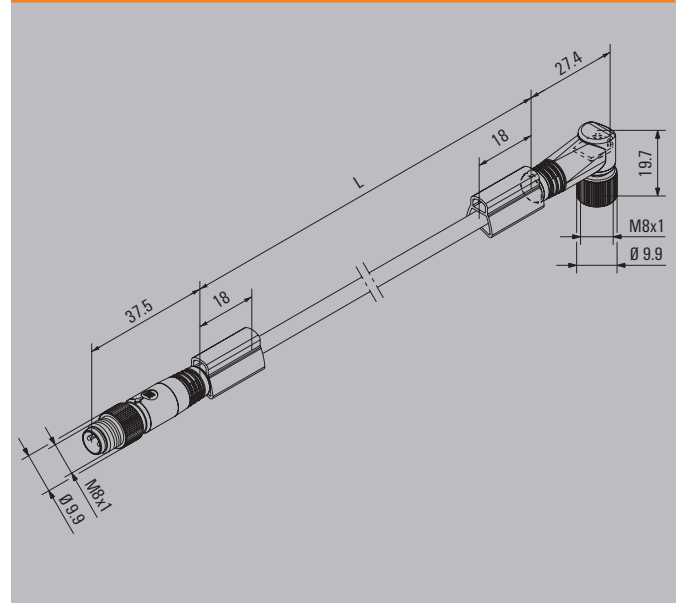
All cables listed in the ordering data have a length of 1.5 metres. The last four ordering digits must be changed when ordering other standard cable lengths.	1.5 m	xxxxxx0150
	3.0 m	xxxxxx0300
	5.0 m	xxxxxx0500
	10.0 m	xxxxxx1000

**Technical data**

Core cross-section	0.25 mm <sup>2</sup>
Rated voltage	24 V DC
Rated current	4 A
Temperature range of housing	-25...+85 °C
Contact surface	Gold-plated
Protection degree	IP65, IP66, IP67, IP68, when screwed in
AF size	
Tightening torque	M8: 0.5 - 0.6 Nm
Approvals	CE; cULus

Further technical data of the cables on catalog.weidmuller.com and in Chapter W (Technical Annex)

**Dimensioned drawing**





# Twin cables with M12 and M8 plug-in connectors



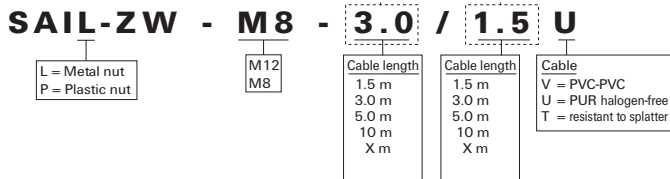
- 4-Pole M12 twin plug as female or male for connection to the distributor
- Straight and angled M8 and M12 plug-in connectors with optional LED status indicator for connection to the sensors
- Various combinations of all plug-in connectors available

Weidmüller offers cables in standard lengths of 1.5 m, 3 m, 5 m and 10 m. **All other lengths are available on request!**

## One end without connector designation code

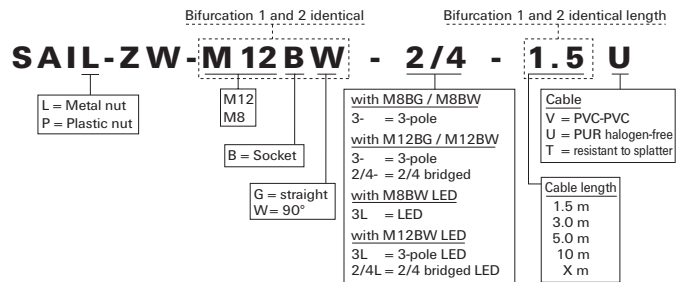
Twin plug  
Bifurcation open for "1" and "2" ends

One designation is no longer necessary when dealing with identical cable lengths.



## Connecting lines designation code

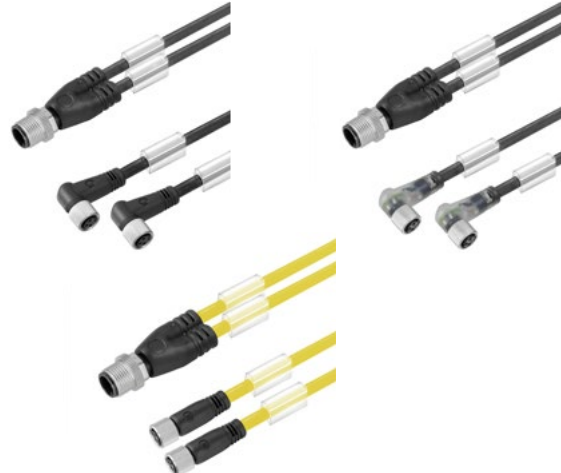
Twin plug  
Connecting cable



## M12 twin to M12

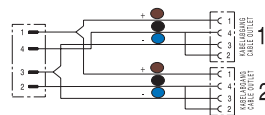
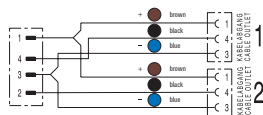
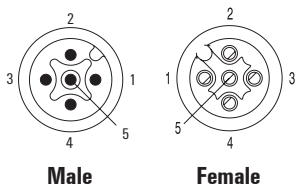


## M12 twin to M8





**Connecting cable**  
**M12 to M12 twin cabling**  
**Bridge between pin 2 and 4**



**Ordering data**

<b>Male straight - 2 females straight</b>	
PUR halogen-free	1.5 m
<b>Male straight - 2 females angled</b>	
PUR halogen-free	1.5 m
<b>Note</b>	

3-pole	
SAIL-ZW-M12BG-3-1.5U	1005460150
SAIL-ZW-M12BW-3-1.5U	1005270150
Other lengths on request	

4-pole	
SAIL-ZW-M12BG-2/4-1.5U	1812550150
SAIL-ZW-M12BW-2/4-1.5U	1964280150
Other lengths on request	

**Standard cable lengths**

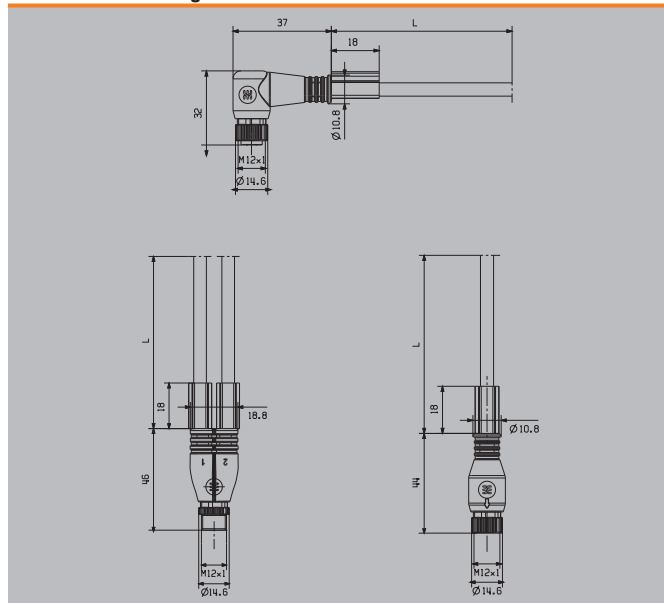
All cables listed in the ordering data have a length of 1.5 metres. The last four ordering digits must be changed when ordering other standard cable lengths.	1.5 m	xxxxxx0150
	3.0 m	xxxxxx0300
	5.0 m	xxxxxx0500
	10.0 m	xxxxxx1000

**Technical data**

Core cross-section	0.34 mm <sup>2</sup>
Rated voltage	250 V
Rated current	4 A
Temperature range of housing	-25...+85 °C
Contact surface	Gold-plated
Protection degree	IP65, IP66, IP67, IP68, when screwed in
AF size	12
Tightening torque	M12: 0.8 - 1.2 Nm
Approvals	CE, CSA, cULus

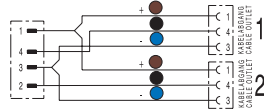
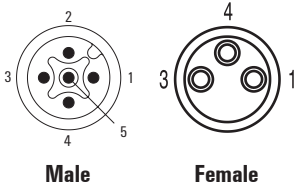
Further technical data of the cables on [catalog.weidmueller.com](http://catalog.weidmueller.com) and in Chapter W (Technical Annex)

**Dimensioned drawing**



**Sensor cables**

**Connecting cable  
M12 to M8 twin cabling**



**Ordering data**

Male straight - 2 females straight	
PUR halogen-free	1.5 m
PUR halogen-free yellow	1.5 m
Male straight - 2 females angled	
PUR halogen-free	1.5 m
PUR halogen-free yellow	1.5 m
Note	

3-pole	
SAIL-ZW-M8BG-3-1.5U	9457490150
SAIL-ZW-M8BG-3-1.5UGE	1093250150
SAIL-ZW-M8BW-3-1.5U	1964300150
SAIL-ZW-M8BW-3-1.5UGE	1093260150
Other lengths on request	


**Standard cable lengths**

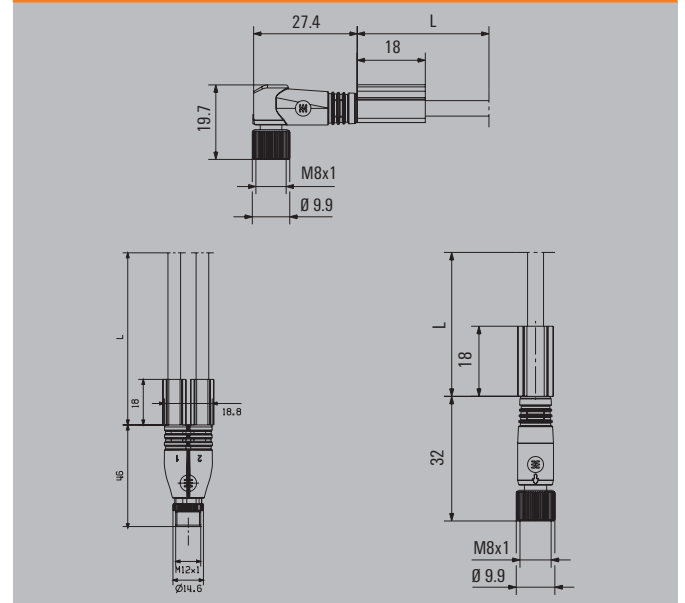
All cables listed in the ordering data have a length of 1.5 metres. The last four ordering digits must be changed when ordering other standard cable lengths.	1.5 m	xxxxxx0150
	3.0 m	xxxxxx0300
	5.0 m	xxxxxx0500
	10.0 m	xxxxxx1000

**Technical data**

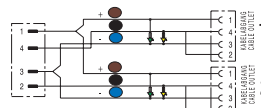
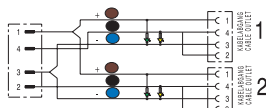
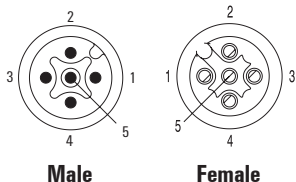
Core cross-section	0.25 mm <sup>2</sup>
Rated voltage	60 V
Rated current	4 A
Temperature range of housing	-25...+85 °C
Contact surface	Gold-plated
Protection degree	IP65, IP66, IP67, IP68, when screwed in
AF size	12
Tightening torque	M8: 0.5 - 0.6 Nm, M12: 0.8 - 1.2 Nm
Approvals	CE

Further technical data of the cables on catalog.weidmuller.com and in Chapter W (Technical Annex)

**Dimensioned drawing**



**Connecting cable**  
**M12 to M12 twin cabling with LED**  
**Bridge between pin 2 and 4**



**Ordering data**

<b>Male straight - 2 females angled</b>	
PUR halogen-free	1.5 m
<b>Note</b>	

<b>2 LEDs</b>	<b>3-pole</b>
SAIL-ZW-M12BW-2/4L1.5U	<b>1964290150</b>
Other lengths on request	

<b>2 LEDs</b>	<b>3-pole</b>
SAIL-ZW-M12BW-3L1.5U	<b>1912110150</b>
Other lengths on request	

**Standard cable lengths**

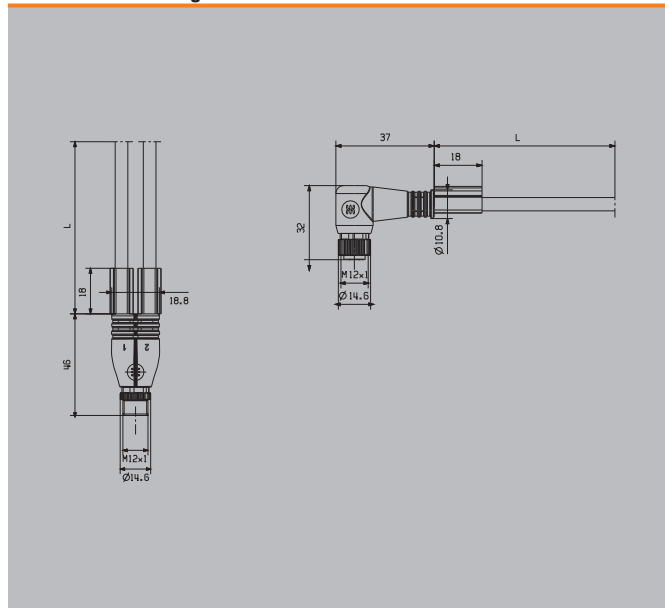
All cables listed in the ordering data have a length of 1.5 metres. The last four ordering digits must be changed when ordering other standard cable lengths.	1.5 m	xxxxxx0150
	3.0 m	xxxxxx0300
	5.0 m	xxxxxx0500
	10.0 m	xxxxxx1000

**Technical data**

Core cross-section	0.34 mm <sup>2</sup>
Rated voltage	24 V DC
Rated current	4 A
Temperature range of housing	-25...+85 °C
Contact surface	Gold-plated
Protection degree	IP65, IP66, IP67, IP68, when screwed in
AF size	12
Tightening torque	M12: 0.8 - 1.2 Nm
Approvals	CE; cULus

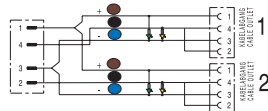
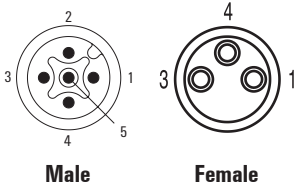
Further technical data of the cables on [catalog.weidmueller.com](http://catalog.weidmueller.com) and in Chapter W (Technical Annex)

**Dimensioned drawing**



Sensor cables

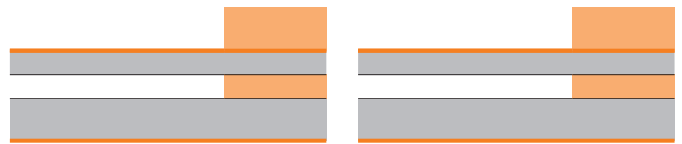
Connecting cable  
M12 to M8 twin cabling with LED



Ordering data

Male straight - 2 females angled	
PUR halogen-free	1.5 m
Note	

2 LEDs	3-pole
SAIL-ZW-M8BW-3L1.5U	9457410150
Other lengths on request	



Standard cable lengths

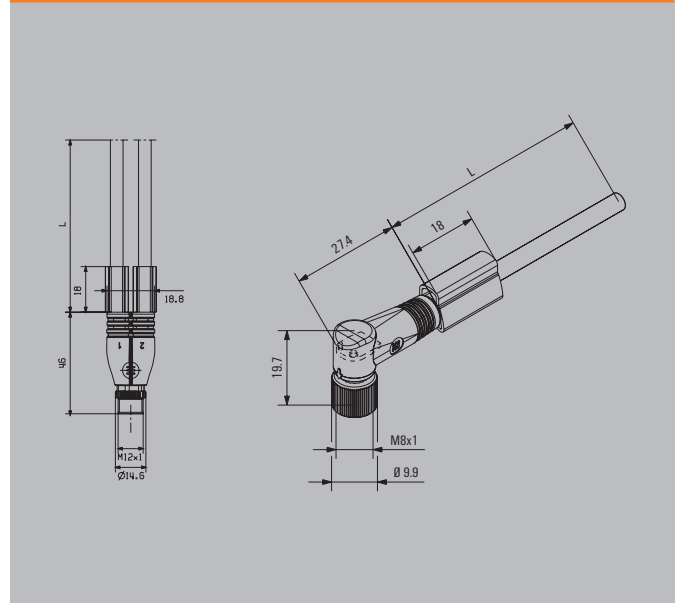
All cables listed in the ordering data have a length of 1.5 metres. The last four ordering digits must be changed when ordering other standard cable lengths.	1.5 m	xxxxxx0150
	3.0 m	xxxxxx0300
	5.0 m	xxxxxx0500
	10.0 m	xxxxxx1000

Technical data

Core cross-section	0.25 mm <sup>2</sup>
Rated voltage	24 V DC
Rated current	4 A
Temperature range of housing	-25...+85 °C
Contact surface	Gold-plated
Protection degree	IP65, IP66, IP67, IP68, when screwed in
AF size	12
Tightening torque	M8: 0.5 - 0.6 Nm, M12: 0.8 - 1.2 Nm
Approvals	CE

Further technical data of the cables on catalog.weidmueller.com and in Chapter W (Technical Annex)

Dimensioned drawing





# B-coded M12 cables

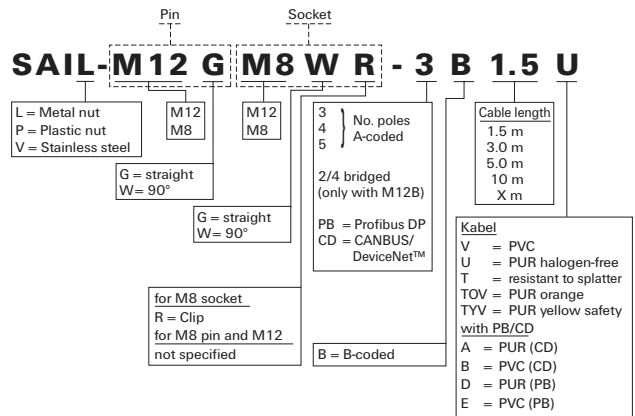
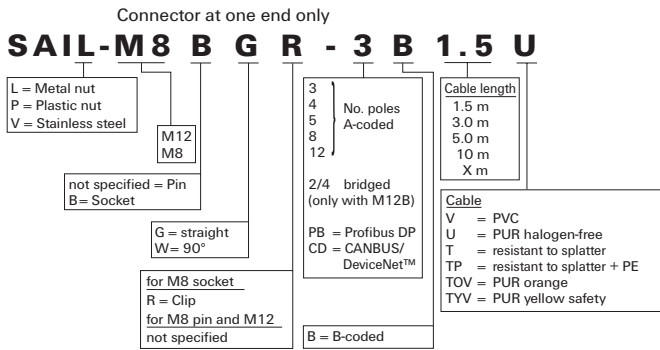


We offer a wide range of products in this category:

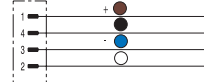
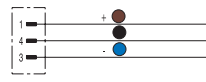
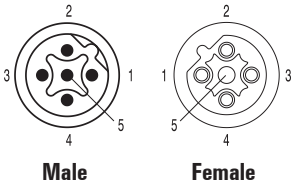
- Straight and angled plug-in connectors with optional LED status indicator
- Various numbers of poles: 3, 4, 5, 8 and 12 poles
- Different cable cross-sections from 0.25 mm<sup>2</sup> to 0.75 mm<sup>2</sup>
- Both PVC and PUR cables; the latter are suitable for use in drag chains

Weidmüller offers cables in standard lengths of 1.5 m, 3 m, 5 m and 10 m. **All other lengths are available on request!**

## Example of designation



One end without connector  
M12  
B-coded



Ordering data

Male, straight	
PUR halogen-free	1.5 m
Male, angled	
PUR halogen-free	1.5 m
Female, straight	
PUR halogen-free	1.5 m
Female, angled	
PUR halogen-free	1.5 m
Note	

3-pole	
SAIL-M12G-3B-1.5U	1057770150
SAIL-M12W-3B-1.5U	1057800150
SAIL-M12BG-3B-1.5U	1057740150
SAIL-M12BW-3B-1.5U	1061890150
Other lengths on request	

4-pole	
SAIL-M12G-4B-1.5U	1057780150
SAIL-M12W-4B-1.5U	1057810150
SAIL-M12BG-4B-1.5U	1057750150
SAIL-M12BW-4B-1.5U	1061900150
Other lengths on request	

5-pole	
SAIL-M12G-5B-1.5U	1057790150
SAIL-M12W-5B-1.5U	1057820150
SAIL-M12BG-5B-1.5U	1061880150
SAIL-M12BW-5B-1.5U	1057760150
Other lengths on request	

Standard cable lengths

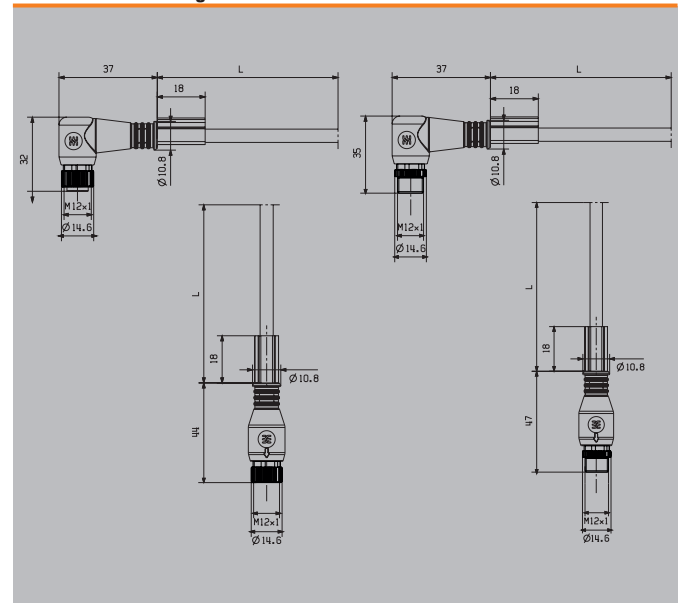
All cables listed in the ordering data have a length of 1.5 metres. The last four ordering digits must be changed when ordering other standard cable lengths.	1.5 m	xxxxxx0150
	3.0 m	xxxxxx0300
	5.0 m	xxxxxx0500
	10.0 m	xxxxxx1000

Technical data

Core cross-section	0.34 mm <sup>2</sup>
Rated voltage	250 V (3- and 4-pole) / 60 V (5-pole)
Rated current	4 A
Temperature range of housing	-25...+85 °C
Contact surface	Gold-plated
Protection degree	IP65, IP66, IP67, IP68, IP69, when screwed in
AF size	12
Tightening torque	M12: 0.8 - 1.2 Nm
Approvals	CE, cULus

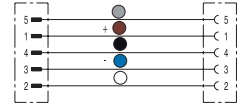
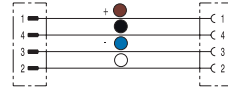
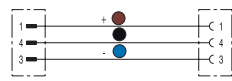
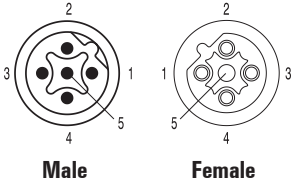
Further technical data of the cables on catalog.weidmuller.com and in Chapter W (Technical Annex)

Dimensioned drawing



**Sensor cables B-coded**

**Connecting cables  
M12 to M12  
B-coded**



**Ordering data**

<b>Male, straight - Female, straight</b>	
PUR halogen-free	1.5 m
<b>Male, straight - Female, angled</b>	
PUR halogen-free	1.5 m
<b>Male, angled - Female, angled</b>	
PUR halogen-free	1.5 m
<b>Male, angled - female, straight</b>	
PUR halogen-free	1.5 m
<b>Note</b>	

3-pole	
SAIL-M12GM12G-3B-1.5U	<b>1057830150</b>
SAIL-M12GM12W-3B-1.5U	<b>1057900150</b>
SAIL-M12WM12W-3B-1.5U	<b>1061910150</b>
SAIL-M12WM12G-3B-1.5U	<b>1057870150</b>
Other lengths on request	

4-pole	
SAIL-M12GM12G-4B-1.5U	<b>1057840150</b>
SAIL-M12GM12W-4B-1.5U	<b>1057910150</b>
SAIL-M12WM12W-4B-1.5U	<b>1061920150</b>
SAIL-M12WM12G-4B-1.5U	<b>1057880150</b>
Other lengths on request	

5-pole	
SAIL-M12GM12G-5B-1.5U	<b>1057850150</b>
SAIL-M12GM12W-5B-1.5U	<b>1057920150</b>
SAIL-M12WM12W-5B-1.5U	<b>1061930150</b>
SAIL-M12WM12G-5B-1.5U	<b>1057890150</b>
Other lengths on request	

**Standard cable lengths**

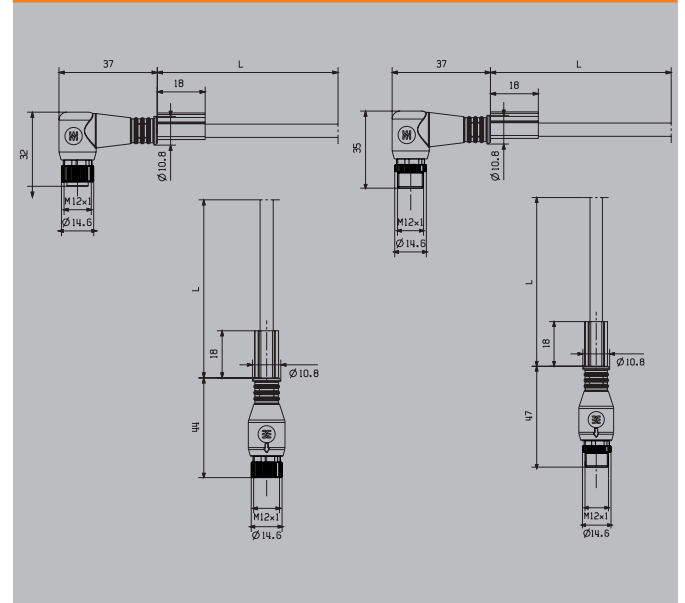
All cables listed in the ordering data have a length of 1.5 metres. The last four ordering digits must be changed when ordering other standard cable lengths.	1.5 m	xxxxxx0150
	3.0 m	xxxxxx0300
	5.0 m	xxxxxx0500
	10.0 m	xxxxxx1000

**Technical data**

Core cross-section	0.34 mm <sup>2</sup>
Rated voltage	250 V (3- and 4-pole) / 60 V (5-pole)
Rated current	4 A
Temperature range of housing	-25...+85 °C
Contact surface	Gold-plated
Protection degree	IP65, IP66, IP67, IP68, IP69, when screwed in
AF size	12
Tightening torque	M12: 0.8 - 1.2 Nm
Approvals	CE; cULus

Further technical data of the cables on [catalog.weidmueller.com](http://catalog.weidmueller.com) and in Chapter W (Technical Annex)

**Dimensioned drawing**







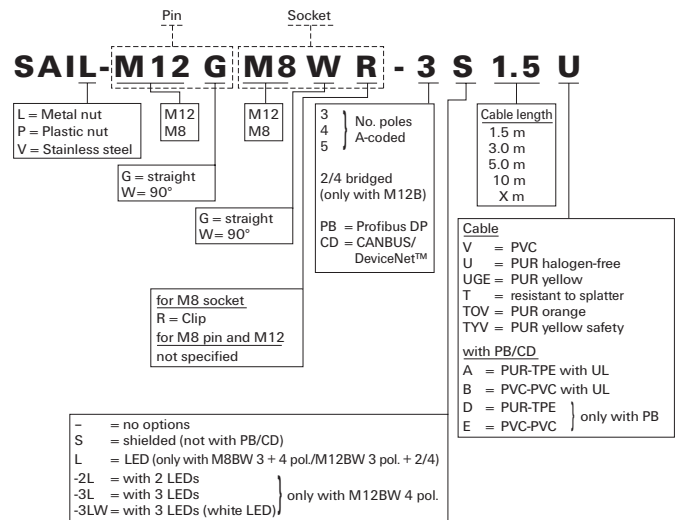
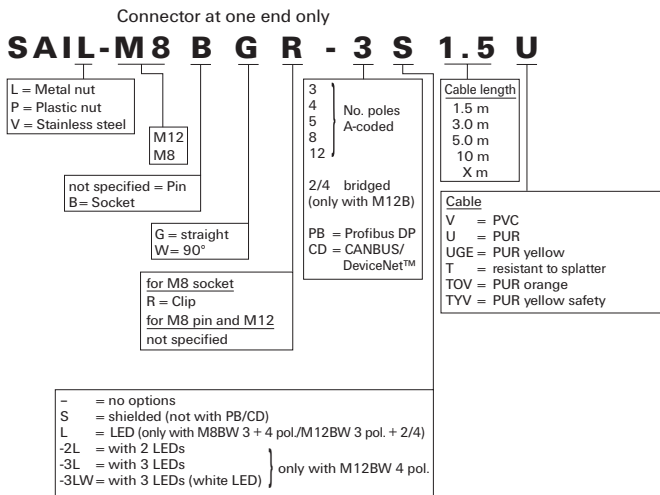
# M8 and M12 cables for the automotive industry



**We offer a wide range of products in this category:**

- Straight and angled plug-in connectors with optional LED status indicator
- Various numbers of poles: 3, 4 and 5
- Orange and yellow cables
- PUR cables resistant to welding sparks for use in drag chains

## Example of designation



### M12



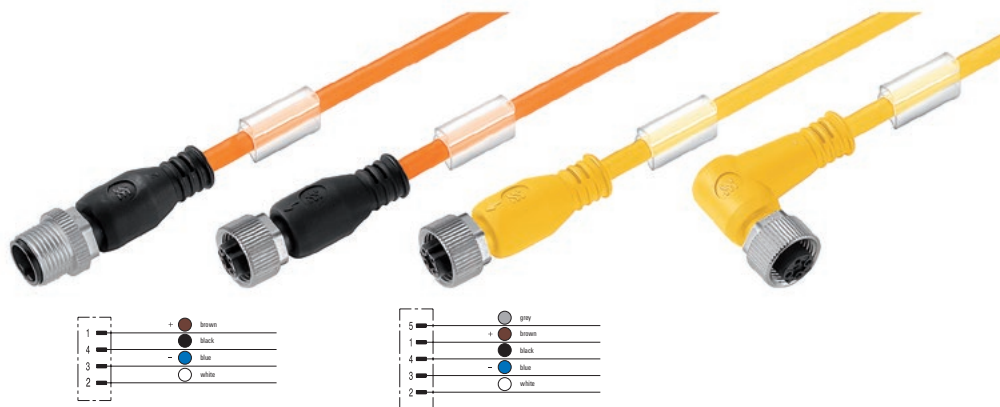
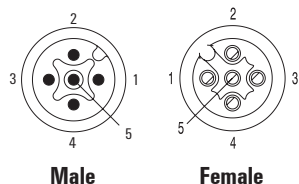
### M12 safety application



### M8



One end without connector  
M12  
A-coded  
Cables with pictograms



### Ordering data

Male, straight	
PUR halogen-free orange	1.5 m
Female, straight	
PUR halogen-free orange	1.5 m
PUR halogen-free yellow safety	1.5 m
Female, angled	
PUR halogen-free orange	1.5 m
PUR halogen-free yellow safety	1.5 m
Note	

4-pole	
SAIL-M12G-4-1.5TOV	2812550150
SAIL-M12BG-4-1.5TOV	2812520150
SAIL-M12BW-4-1.5TOV	2812540150
Other lengths on request	

5-pole	
SAIL-M12G-5-1.5TOV	2812690150
SAIL-M12BG-5-1.5TOV	2812640150
SAIL-M12BG-5-1.5TYV	2812750150
SAIL-M12BW-5-1.5TOV	2812680150
SAIL-M12BW-5-1.5TYV	2812780150
Other lengths on request	

### Standard cable lengths

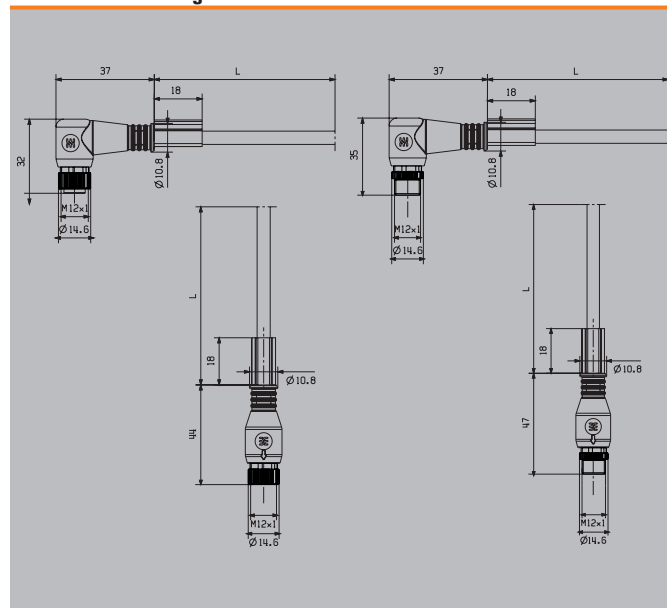
All cables listed in the ordering data have a length of 1.5 metres. The last four ordering digits must be changed when ordering other standard cable lengths.	1.5 m	xxxxxx0150
	3.0 m	xxxxxx0300
	5.0 m	xxxxxx0500
	10.0 m	xxxxxx1000

### Technical data

Core cross-section	0.34 mm <sup>2</sup>
Rated voltage	250 V (4-pole) / 60 V (5-pole)
Rated current	4 A
Temperature range of housing	-25...+85 °C
Contact surface	Gold-plated
Protection degree	IP65, IP66, IP67, IP68, when screwed in
AF size	12
Tightening torque	M12: 0.8 - 1.2 Nm
Approvals	CE

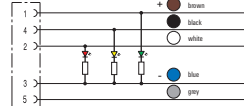
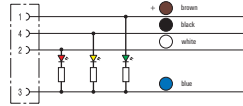
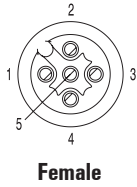
Further technical data of the cables on catalog.weidmuller.com and in Chapter W (Technical Annex)

### Dimensioned drawing



**Sensor cables**  
**Automotive industry**

**One end without connector**  
**M12 with LED**  
**A-coded**  
**Cables with pictograms**



**Ordering data**

<b>Female, angled</b>	
PUR halogen-free orange	1.5 m
<b>Note</b>	

<b>3 LEDs</b>	<b>4-pole</b>
SAIL-M12BW-4-3LR1.5TOV	<b>2812530150</b>
Other lengths on request	

<b>3 LEDs</b>	<b>5-pole</b>
SAIL-M12BW-5-3LR1.5TOV	<b>2812670150</b>
Other lengths on request	

**Standard cable lengths**

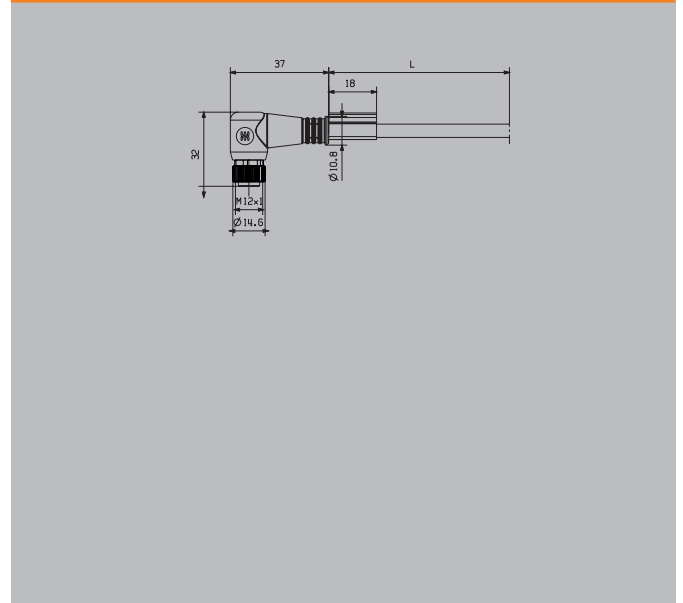
All cables listed in the ordering data have a length of 1.5 metres. The last four ordering digits must be changed when ordering other standard cable lengths.	1.5 m	xxxxxx0150
	3.0 m	xxxxxx0300
	5.0 m	xxxxxx0500
	10.0 m	xxxxxx1000

**Technical data**

Core cross-section	0.34 mm <sup>2</sup>
Rated voltage	24 V DC
Rated current	4 A
Temperature range of housing	-25...+85 °C
Contact surface	Gold-plated
Protection degree	IP65, IP66, IP67, IP68, when screwed in
AF size	12
Tightening torque	M12: 0.8 - 1.2 Nm
Approvals	CE

Further technical data of the cables on [catalog.weidmueller.com](http://catalog.weidmueller.com) and in Chapter W (Technical Annex)

**Dimensioned drawing**

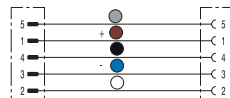
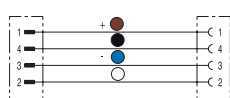
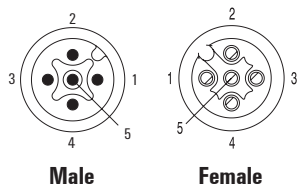


Connecting cables

M12 to M12

A-coded

Cables with pictograms



Ordering data

Male, straight - Female, straight	
PUR halogen-free orange	1.5 m
PUR halogen-free yellow safety	1.5 m
Male, straight - Female, angled	
PUR halogen-free orange	1.5 m
PUR halogen-free yellow safety	1.5 m
<b>Note</b>	

4-pole	
SAIL-M12GM12G-4-1.5TOV	<b>2812600150</b>
SAIL-M12GM12W-4-1.5TOV	<b>2812630150</b>
Other lengths on request	

5-pole	
SAIL-M12GM12G-5-1.5TOV	<b>2812700150</b>
SAIL-M12GM12G-5-1.5TYV	<b>2812800150</b>
SAIL-M12GM12W-5-1.5TOV	<b>2812730150</b>
SAIL-M12GM12W-5-1.5TYV	<b>2812820150</b>
Other lengths on request	

Standard cable lengths

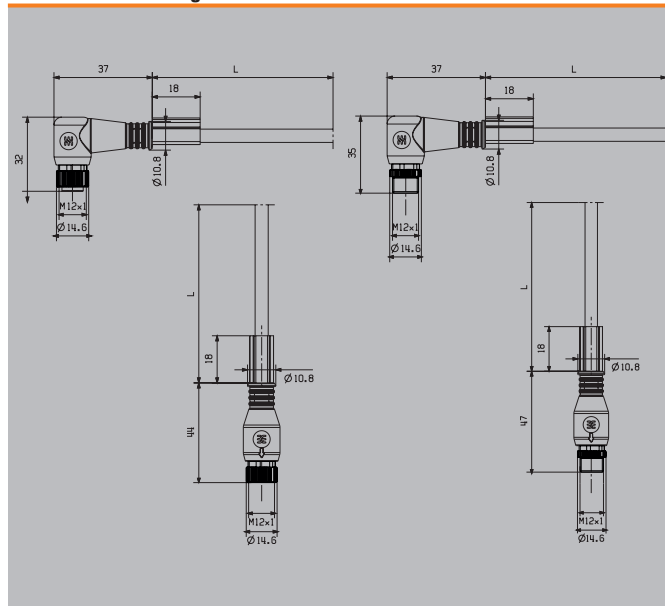
All cables listed in the ordering data have a length of 1.5 metres. The last four ordering digits must be changed when ordering other standard cable lengths.	1.5 m	xxxxxx0150
	3.0 m	xxxxxx0300
	5.0 m	xxxxxx0500
	10.0 m	xxxxxx1000

Technical data

Core cross-section	0.34 mm <sup>2</sup>
Rated voltage	250 V (4-pole) / 60 V (5-pole)
Rated current	4 A
Temperature range of housing	-25...+85 °C
Contact surface	Gold-plated
Protection degree	IP65, IP66, IP67, IP68, when screwed in
AF size	12
Tightening torque	M12: 0.8 - 1.2 Nm
Approvals	CE

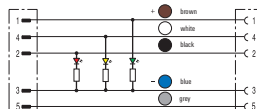
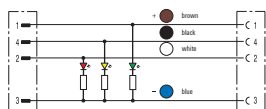
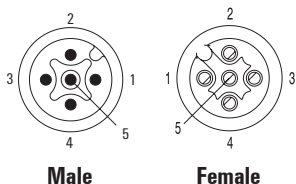
Further technical data of the cables on catalog.weidmuller.com and in Chapter W (Technical Annex)

Dimensioned drawing



**Sensor cables**  
**Automotive industry**

**Connecting cables**  
**M12 to M12 with LED**  
**A-coded**  
**Cables with pictograms**



**Ordering data**

<b>Male, straight - Female, straight</b>	
PUR halogen-free orange	1.5 m
<b>Male, straight - Female, angled</b>	
PUR halogen-free orange	1.5 m
<b>Note</b>	

3 LEDs	4-pole
SAIL-M12GM12G-4-3LR1.5TOV	<b>2812570150</b>
Other lengths on request	

3 LEDs	5-pole
SAIL-M12GM12W-5-3LR1.5TOV	<b>2812720150</b>
Other lengths on request	

**Standard cable lengths**

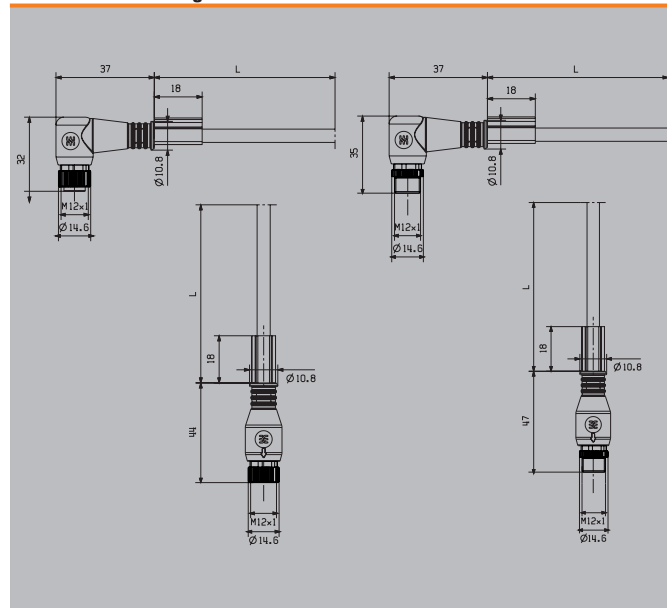
All cables listed in the ordering data have a length of 1.5 metres. The last four ordering digits must be changed when ordering other standard cable lengths.	1.5 m	xxxxxx0150
	3.0 m	xxxxxx0300
	5.0 m	xxxxxx0500
	10.0 m	xxxxxx1000

**Technical data**

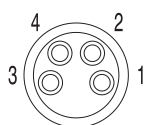
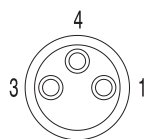
Core cross-section	0.34 mm <sup>2</sup>
Rated voltage	24 V DC
Rated current	4 A
Temperature range of housing	-25...+85 °C
Contact surface	Gold-plated
Protection degree	IP65, IP66, IP67, IP68, when screwed in
AF size	12
Tightening torque	M12: 0.8 - 1.2 Nm
Approvals	CE

Further technical data of the cables on [catalog.weidmueller.com](http://catalog.weidmueller.com) and in Chapter W (Technical Annex)

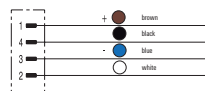
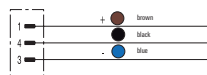
**Dimensioned drawing**



One end without connector  
M8  
Cables with pictograms



Female



Ordering data

<b>Female, straight</b>	
PUR halogen-free orange	1.5 m
<b>Female, angled</b>	
PUR halogen-free orange	1.5 m
<b>Note</b>	

3-pole	
SAIL-M8BG-3-1.5TOV	<b>2812880150</b>
SAIL-M8BW-3-1.5TOV	<b>2812940150</b>
Other lengths on request	

4-pole	
SAIL-M8BG-4-1.5TOV	<b>2813030150</b>
SAIL-M8BW-4-1.5TOV	<b>2813040150</b>
Other lengths on request	

Standard cable lengths

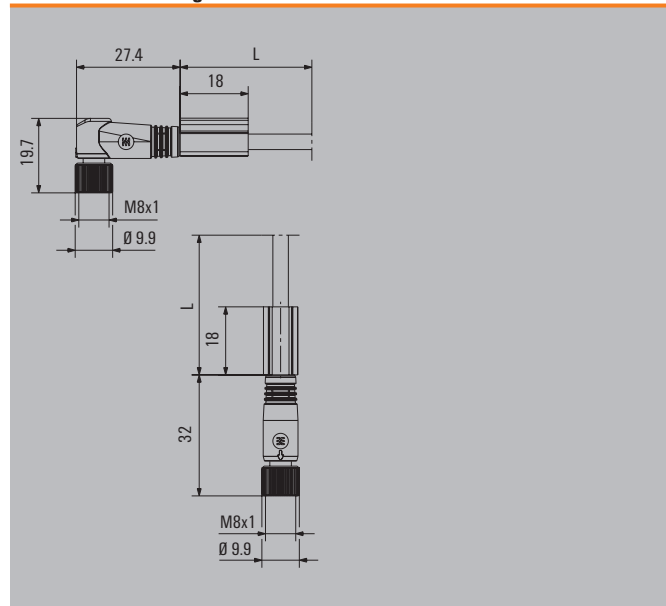
All cables listed in the ordering data have a length of 1.5 metres. The last four ordering digits must be changed when ordering other standard cable lengths.	1.5 m	xxxxxx0150
	3.0 m	xxxxxx0300
	5.0 m	xxxxxx0500
	10.0 m	xxxxxx1000

Technical data

Core cross-section	0.34 mm <sup>2</sup>
Rated voltage	60 V
Rated current	4 A
Temperature range of housing	-25...+85 °C
Contact surface	Gold-plated
Protection degree	IP65, IP66, IP67, IP68, when screwed in
AF size	
Tightening torque	M8: 0.5 - 0.6 Nm
Approvals	CE

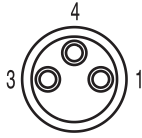
Further technical data of the cables on catalog.weidmuller.com and in Chapter W (Technical Annex)

Dimensioned drawing

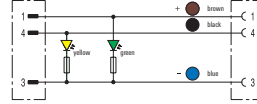
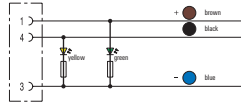


**Sensor cables**  
**Automotive industry**

**One end without connector**  
**M8 with LED**  
**Connecting cables**  
**M8 to M12 with LED**  
**Cables with pictograms**



**Female**



**Ordering data**

<b>Female, angled</b>	
PUR halogen-free orange	1.5 m
<b>Male, straight - Female, angled</b>	
PUR halogen-free orange	1.5 m
<b>Note</b>	

<b>2 LEDs</b>	<b>3-pole</b>
SAIL-M8BW-3L-1.5TOV	<b>2812910150</b>
Other lengths on request	

	<b>3-pole</b>
SAIL-M12GM8W-3L-1.5TOV	<b>2812950150</b>

**Standard cable lengths**

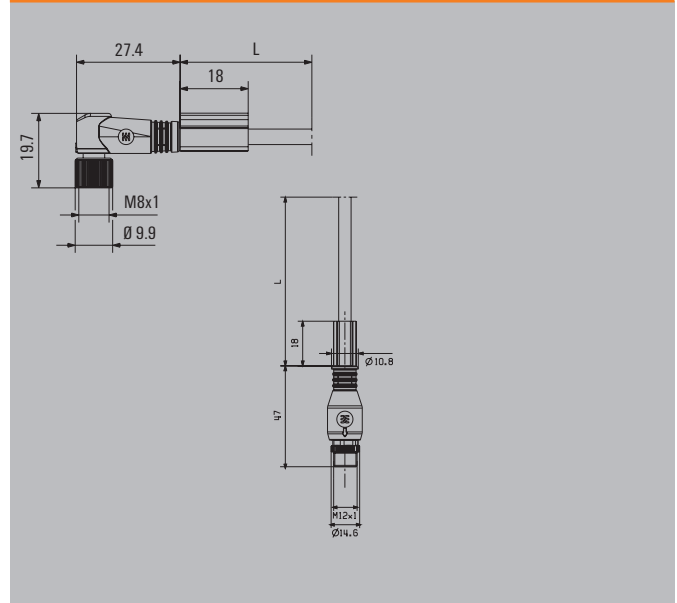
All cables listed in the ordering data have a length of 1.5 metres. The last four ordering digits must be changed when ordering other standard cable lengths.	1.5 m	xxxxxx0150
	3.0 m	xxxxxx0300
	5.0 m	xxxxxx0500
	10.0 m	xxxxxx1000

**Technical data**

Core cross-section	0.34 mm <sup>2</sup>
Rated voltage	24 V DC
Rated current	4 A
Temperature range of housing	-25...+85 °C
Contact surface	Gold-plated
Protection degree	IP65, IP66, IP67, IP68, when screwed in
AF size	12
Tightening torque	M8: 0.5 - 0.6 Nm, M12: 0.8 - 1.2 Nm
Approvals	CE

Further technical data of the cables on catalog.weidmueller.com and in Chapter W (Technical Annex)

**Dimensioned drawing**

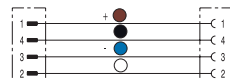
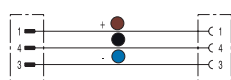
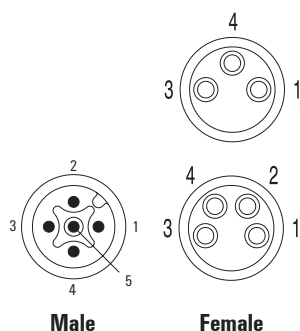




Connecting cables

M12 to M8

Cables with pictograms



Ordering data

<b>Male, straight - Female, straight</b>	
PUR halogen-free orange	1.5 m
<b>Male, straight - Female, angled</b>	
PUR halogen-free orange	1.5 m
<b>Note</b>	

3-pole	
SAIL-M12GM8G-3-1.5TOV	<b>2812840150</b>
SAIL-M12GM8W-3-1.5TOV	<b>2812850150</b>
Other lengths on request	

4-pole	
SAIL-M12GM8G-4-1.5TOV	<b>2812960150</b>
SAIL-M12GM8W-4-1.5TOV	<b>2812970150</b>
Other lengths on request	

Standard cable lengths

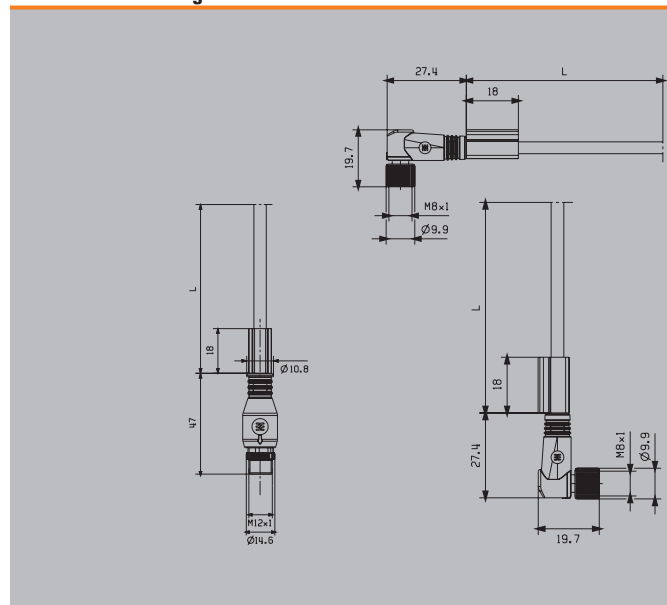
All cables listed in the ordering data have a length of 1.5 metres. The last four ordering digits must be changed when ordering other standard cable lengths.	1.5 m	xxxxxx0150
	3.0 m	xxxxxx0300
	5.0 m	xxxxxx0500
	10.0 m	xxxxxx1000

Technical data

Core cross-section	0.34 mm <sup>2</sup>
Rated voltage	60 V
Rated current	4 A
Temperature range of housing	-25...+85 °C
Contact surface	Gold-plated
Protection degree	IP65, IP66, IP67, IP68, when screwed in
AF size	12
Tightening torque	M12: 0.8 - 1.2 Nm, M8: 0.5 - 0.6 Nm
Approvals	CE

Further technical data of the cables on catalog.weidmueller.com and in Chapter W (Technical Annex)

Dimensioned drawing



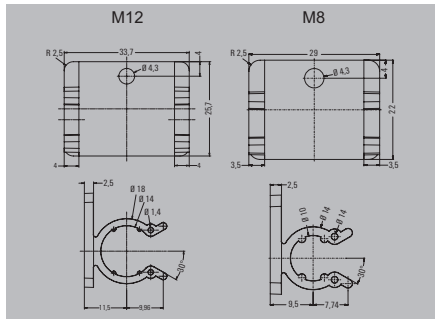
**Connectors – accessories**

**Connectors – accessories**

**B**

**SAI Clip**

M8 screw connection

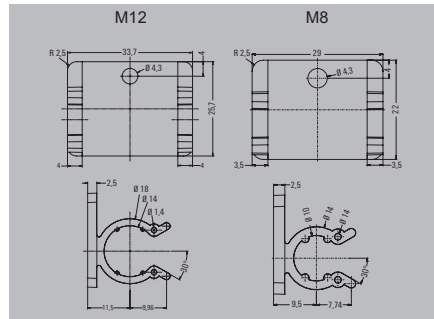


**Ordering data**

Type	Qty.	Order No.
SAI-M8-CLIP	10	1363800000
Other lengths on request		

**SAI Clip**

M12 screw connection



**Ordering data**

Type	Qty.	Order No.
SAI-M12-CLIP	10	1362750000
Other lengths on request		

**SAI Separation protection cap**

Hole for sealing: No



**Ordering data**

Type	Qty.	Order No.
SAI-TSK-M12	10	2426980000

**SAI Separation protection cap**

Hole for sealing: Yes



**Ordering data**

Type	Qty.	Order No.
SAI-TSK-M12-B0	1	2429320000



# Valve plug, ISO 4400



- Variants in different designs
  - A (contact spacing: 18mm),
  - B (11mm) or BD (10mm)
  - C (9.4mm) or CD (8mm)
- 3 and 4-pole versions with an optional LED as a status indicator
- Different protective circuits depending on the requirements of the application (such as diode, suppressor diode, varistor)
- Variants with one end without connector, or overmoulded M8 and M12 plug-in connector

## One end without connector designation code

## Connecting line designation code

Valve plug  
Connector at one end only

**SAIL-VSBD - 1.5 U**

<b>Valve plug</b> VSA VSB VSBD VSC VSCD	<b>Cable length</b> 1.5 m 3.0 m 5.0 m 10 m X m	<b>Cable</b> V = PVC-PVC U = PUR-Halogen-free
--	---	---

Valve plug  
Connecting cable

Socket Pin

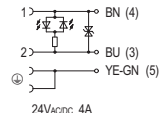
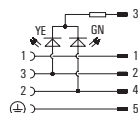
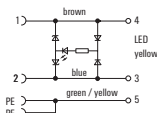
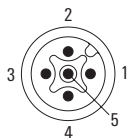
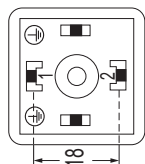
**SAIL-VSBD - M8W 1.5 U**

<b>Valve plug</b> VSA VSB VSBD VSC VSCD	M12 M8  G = straight W = 90°	<b>Cable length</b> 1.5 m 3.0 m 5.0 m 10 m X m	<b>Cable</b> V = PVC-PVC U = PUR-Halogen-free
--	--	---	---

Valve plug Type A	Valve plug Type B	Valve plug Type BD	Valve plug Type C	Valve plug Type CD
Contact gap 18 mm Type: VSA	Contact gap 11 mm Industry standard Type: VSB	Contact gap 10 mm to DIN 43650 (ISO 6952) Type: VSBD	Contact gap 9.4 mm Industry standard Type: VSC	Contact gap 8 mm to DIN 43650 (ISO 6952) Type: VSCD

**Design A / M12**

Contact distance 18mm



**Ordering data**

<b>M12 Male straight - valve plug</b>	
PUR halogen-free	1.5 m
<b>M12 Male angled - valve plug</b>	
PUR halogen-free	1.5 m
<b>Valve plug - open cable end</b>	
PUR halogen-free	1.5 m
<b>Note</b>	

Zener diode	24 V
SAIL-VSA-M12G-1.5U	9457040000
SAIL-VSA-M12W-1.5U	1857690150
SAIL-VSA-1.5U	9457710150
Other lengths on request	

Pressure switch	24 V
SAIL-VSA-DS-M12G-1.5U	1316550150
SAIL-VSA-DS-1.5U	1896990150
Other lengths on request	

Suppressor diode	24 V
SAIL-VSA-1.5U(0.5)	1845120150
Other lengths on request	

**Standard cable lengths**

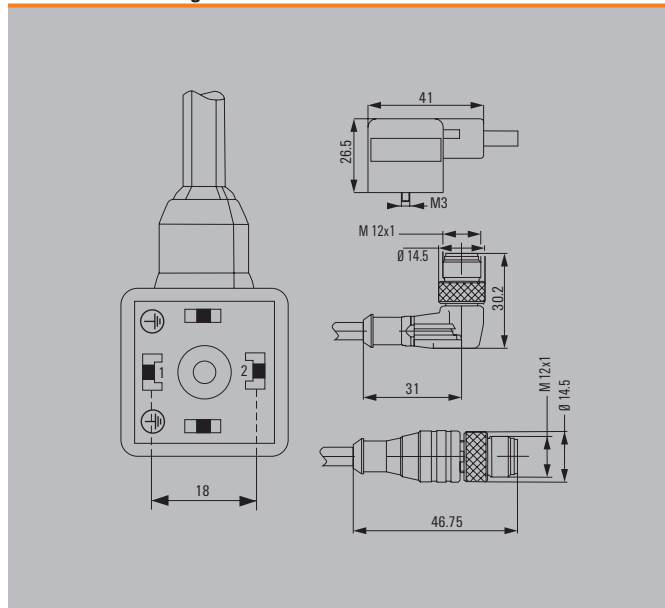
All cables listed in the ordering data have a length of 1.5 metres. The last four ordering digits must be changed when ordering other standard cable lengths.	1.5 m	xxxxxx0150
	3.0 m	xxxxxx0300
	5.0 m	xxxxxx0500
	10.0 m	xxxxxx1000

**Technical data**

Core cross-section	0.5 mm <sup>2</sup>
Rated voltage	
Rated current	4 A
Temperature range of housing	-25...+80 °C
Contact surface	tinned
Protection degree	IP67, when screwed in
AF size	
Tightening torque	Mounting screw M3: 0.4 Nm, M12: 0.8 - 1.2 Nm
Approvals	CE

Further technical data of the cables on [catalog.weidmueller.com](http://catalog.weidmueller.com) and in Chapter W (Technical Annex)

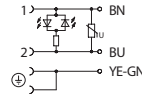
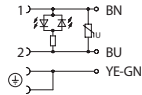
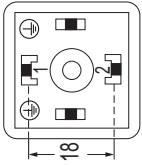
**Dimensioned drawing**



**Valve cables**

**Design type A**

Contact distance 18mm



**Ordering data**

Open cable end - valve plug	
PUR halogen-free	1.5 m
PUR halogen-free	3.0 m
Note	

Varistor	24 V
SAIL-VSAV-3.0U	1525690300
Other lengths on request	

Varistor	230 V
SAIL-VSAV-230V-1.5U	1549100150
Other lengths on request	

**Standard cable lengths**

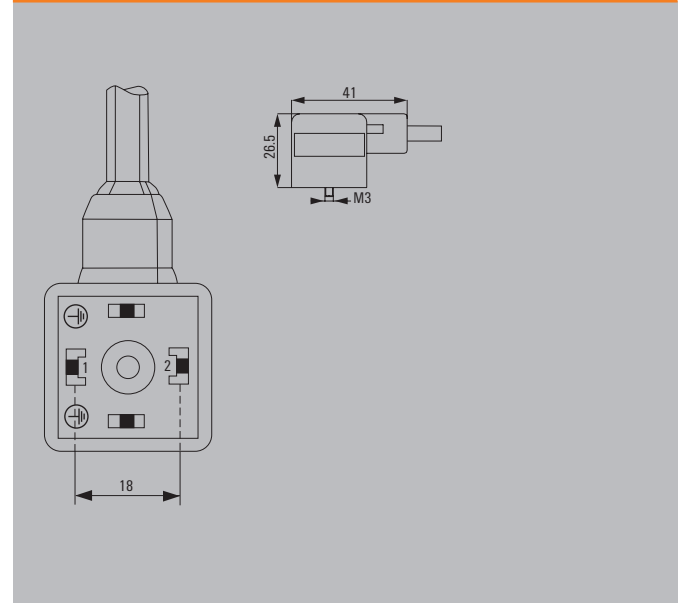
All cables listed in the ordering data have a length of 1.5 metres. The last four ordering digits must be changed when ordering other standard cable lengths.	1.5 m	xxxxxx0150
	3.0 m	xxxxxx0300
	5.0 m	xxxxxx0500
	10.0 m	xxxxxx1000

**Technical data**

Core cross-section	0.5 mm <sup>2</sup>
Rated voltage	
Rated current	4 A
Temperature range of housing	-25...+80 °C
Contact surface	tinned
Protection degree	IP67, when screwed in
AF size	
Tightening torque	Mounting screw M3: 0.4 Nm
Approvals	CE

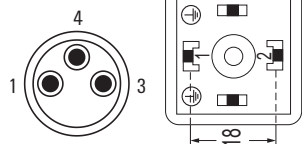
Further technical data of the cables on [catalog.weidmuller.com](http://catalog.weidmuller.com) and in Chapter W (Technical Annex)

**Dimensioned drawing**



**Design A to M8**

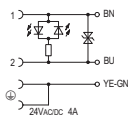
Contact spacing 18 mm



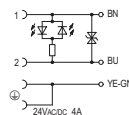
**Male**

**Ordering data**

<b>M8 Male straight - valve plug</b>	
PUR halogen-free	1.5 m
<b>M8 Male angled - valve plug</b>	
PUR halogen-free	1.5 m
<b>Note</b>	



<b>Suppressor diode</b>	<b>24 V</b>
SAIL-VSA-M8G-3-1.5U	<b>1099760150</b>
Other lengths on request	



<b>Suppressor diode</b>	<b>24 V</b>
SAIL-VSA-M8W-3-1.5U	<b>1026190150</b>
Other lengths on request	

**Standard cable lengths**

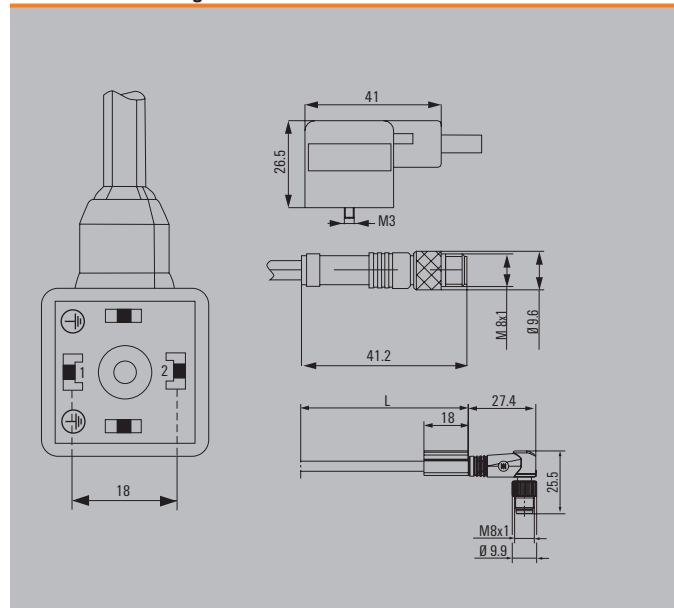
All cables listed in the ordering data have a length of 1.5 metres. The last four ordering digits must be changed when ordering other standard cable lengths.	1.5 m	xxxxxx0150
	3.0 m	xxxxxx0300
	5.0 m	xxxxxx0500
	10.0 m	xxxxxx1000

**Technical data**

Core cross-section	0.5 mm <sup>2</sup>
Rated voltage	
Rated current	4 A
Temperature range of housing	-25...+80 °C
Contact surface	tinned
Protection degree	IP67, when screwed in
AF size	
Tightening torque	M8: 0.5 - 0.6 Nm, Mounting screw M3: 0.4 Nm
Approvals	CE

Further technical data of the cables on catalog.weidmueller.com and in Chapter W (Technical Annex)

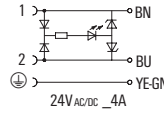
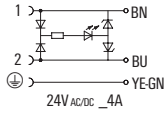
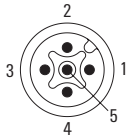
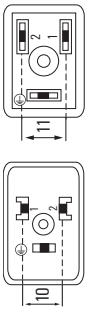
**Dimensioned drawing**



**Valve cables**

**Design B/BD to M12**

Contact spacing B = 11 mm; BD = 10mm  
PE opposite cable outlet



**Ordering data**

<b>Open cable end - valve plug</b>	
PUR halogen-free	1.5 m
<b>Male straight - valve plug</b>	
PUR halogen-free	1.5 m
<b>Male angled - valve plug</b>	
PUR halogen-free	1.5 m
<b>Note</b>	

Zener diode (B)	24 V
SAIL-VSB-1.5U	9457930150
SAIL-VSB-M12G-1.5U	9457680150
SAIL-VSB-M12W-1.5U	1857700150
Other lengths on request	

Zener diode (BD)	24 V
SAIL-VSBD-1.5U	9456070150
SAIL-VSBD-M12G-1.5U	9457780150
SAIL-VSBD-M12W-1.5U	1857710150
Other lengths on request	

**Standard cable lengths**

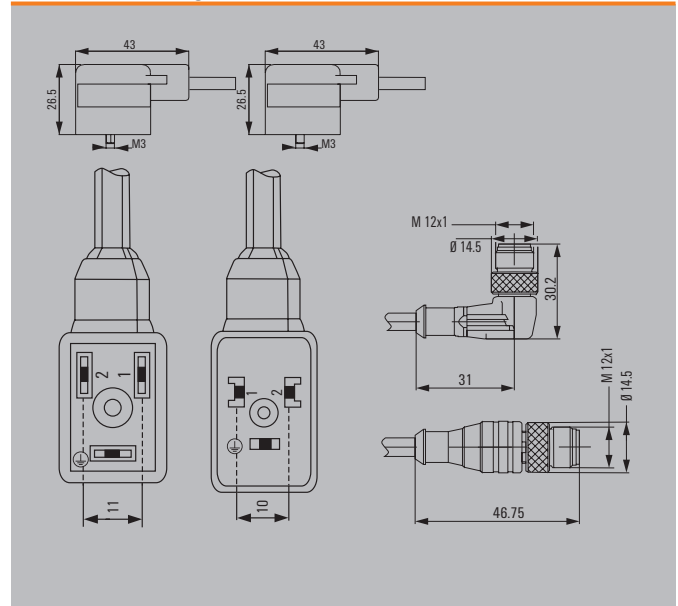
All cables listed in the ordering data have a length of 1.5 metres. The last four ordering digits must be changed when ordering other standard cable lengths.	1.5 m	xxxxxx0150
	3.0 m	xxxxxx0300
	5.0 m	xxxxxx0500
	10.0 m	xxxxxx1000

**Technical data**

Core cross-section	0.5 mm <sup>2</sup>
Rated voltage	
Rated current	4 A
Temperature range of housing	-25...+80 °C
Contact surface	tinned
Protection degree	IP67, when screwed in
AF size	
Tightening torque	Mounting screw M3: 0.4 Nm, M12: 0.8 - 1.2 Nm
Approvals	CE

Further technical data of the cables on [catalog.weidmueller.com](http://catalog.weidmueller.com) and in Chapter W (Technical Annex)

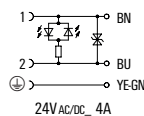
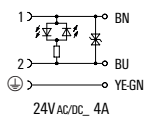
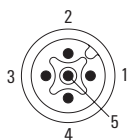
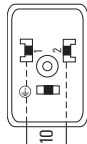
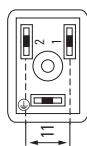
**Dimensioned drawing**





**Design B/BD**

Contact spacing B = 11 mm; BD = 10mm  
PE at cable outlet



**Ordering data**

<b>Open cable end - valve plug</b>	
PUR halogen-free	1.5 m
<b>Note</b>	

	<b>24 V</b>
SAIL-VSB-180-1.5U(0.5)	<b>1845140150</b>
Other lengths on request	

	<b>24 V</b>
SAIL-VSBD-180-1.5U(0.5)	<b>1845160150</b>
Other lengths on request	

**Standard cable lengths**

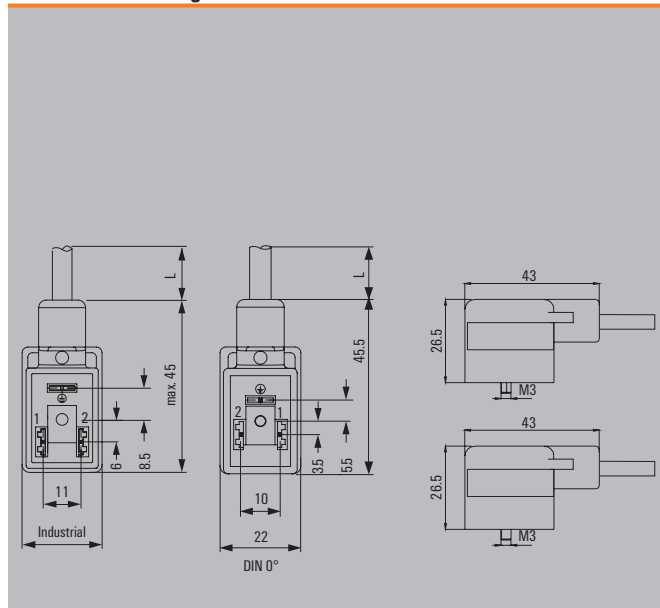
All cables listed in the ordering data have a length of	1.5 m	xxxxxx0150
1.5 metres. The last four ordering digits must be changed when ordering other standard cable lengths.	3.0 m	xxxxxx0300
	5.0 m	xxxxxx0500
	10.0 m	xxxxxx1000

**Technical data**

Core cross-section	0.5 mm <sup>2</sup>
Rated voltage	
Rated current	4 A
Temperature range of housing	-25...+80 °C
Contact surface	tinned
Protection degree	IP67, when screwed in
AF size	
Tightening torque	Mounting screw M3: 0.4 Nm
Approvals	CE

Further technical data of the cables on [catalog.weidmueller.com](http://catalog.weidmueller.com) and in Chapter W (Technical Annex)

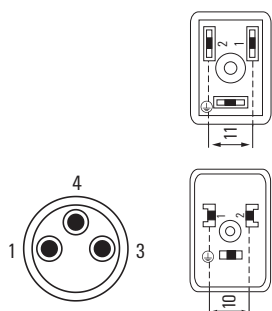
**Dimensioned drawing**



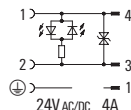
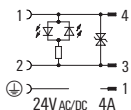
## Valve cables

### Design B/BD to M8

Contact spacing B = 11 mm; BD = 10mm  
PE opposite the cable entry



Male



#### Ordering data

M8 Male straight - valve plug	
PUR halogen-free	0.15 m
PUR halogen-free	1.5 m
M8 Male straight - valve plug 180°	
PUR halogen-free	1.5 m
M8 Male angled - valve plug	
PUR halogen-free	1.5 m
<b>Note</b>	

Suppressor diode (B)	24 V
SAIL-VSB-M8G-3-1.5U	1271590150
Other lengths on request	

Suppressor diode (BD)	24 V
SAIL-VSBD-M8G-3-1.5U	1099770150
SAIL-VSBD180-M8G-3-1.5U	1276450150
Other lengths on request	

#### Standard cable lengths

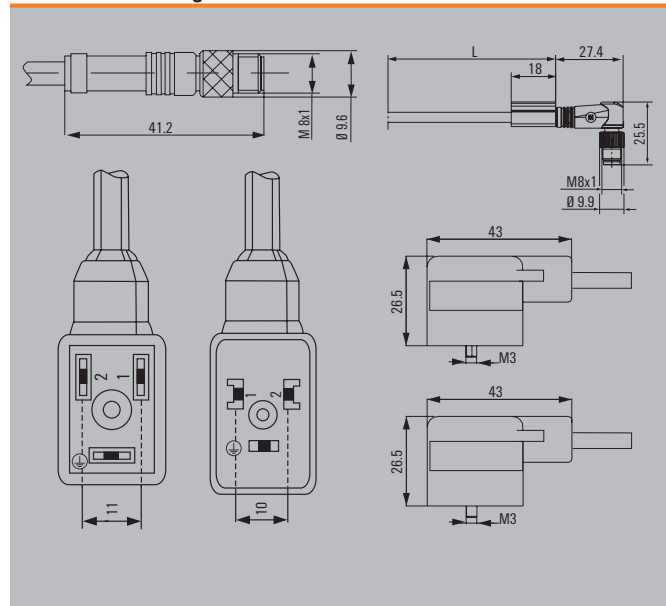
All cables listed in the ordering data have a length of 1.5 metres. The last four ordering digits must be changed when ordering other standard cable lengths.	1.5 m	xxxxxx0150
	3.0 m	xxxxxx0300
	5.0 m	xxxxxx0500
	10.0 m	xxxxxx1000

#### Technical data

Core cross-section	0.5 mm <sup>2</sup>
Rated voltage	
Rated current	4 A
Temperature range of housing	-25...+80 °C
Contact surface	tinned
Protection degree	IP67, when screwed in
AF size	
Tightening torque	Mounting screw M3: 0.4 Nm, M8: 0.5 - 0.6 Nm
Approvals	CE

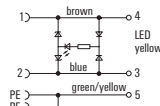
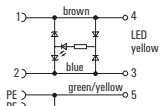
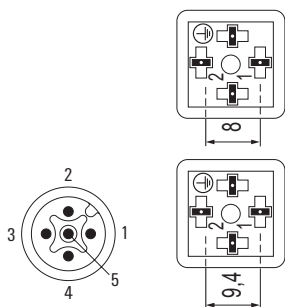
Further technical data of the cables on [catalog.weidmueller.com](http://catalog.weidmueller.com) and in Chapter W (Technical Annex)

#### Dimensioned drawing



**Design C/CD to M12**

Contact spacing C = 9.4 mm; CD = 8mm



**Ordering data**

<b>Open cable end - valve plug</b>	
PUR halogen-free	1.5 m
<b>Male straight - valve plug</b>	
PUR halogen-free	1.5 m
<b>Male angled - valve plug</b>	
PUR halogen-free	1.5 m
<b>Note</b>	

Zener diode (C)	24 V
SAIL-VSC-1.5U	9457920150
SAIL-VSC-M12G-1.5U	9457400150
SAIL-VSC-M12W-1.5U	1857720150
Other lengths on request	

Zener diode (CD)	24 V
SAIL-VSCD-1.5U	9456240150
SAIL-VSCD-M12G-1.5U	9456170150
SAIL-VSCD-M12W-1.5U	1857730150
Other lengths on request	

**Standard cable lengths**

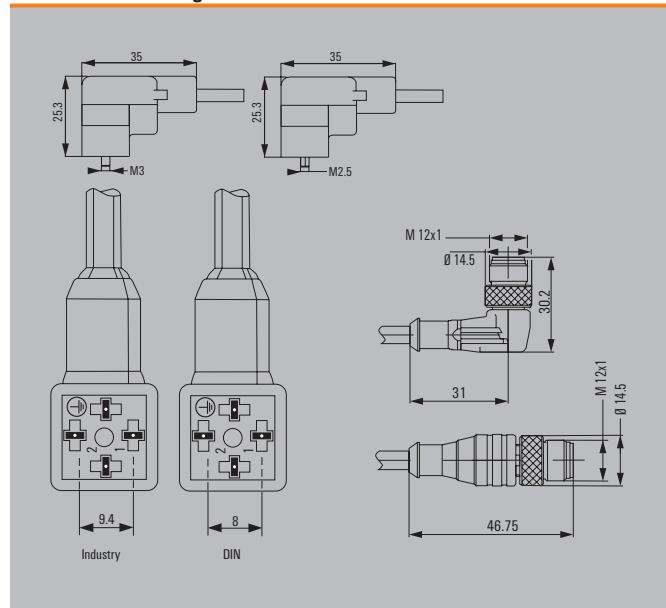
All cables listed in the ordering data have a length of 1.5 metres. The last four ordering digits must be changed when ordering other standard cable lengths.	1.5 m	xxxxxx0150
	3.0 m	xxxxxx0300
	5.0 m	xxxxxx0500
	10.0 m	xxxxxx1000

**Technical data**

Core cross-section	0.5 mm <sup>2</sup>
Rated voltage	
Rated current	4 A
Temperature range of housing	-25...+80 °C
Contact surface	tinned
Protection degree	IP67, when screwed in
AF size	
Tightening torque	Mounting screw M3: 0.4 Nm, M2.5 mounting screw: 0.3 Nm, M12: 0.8 - 1.2 Nm
Approvals	CE

Further technical data of the cables on catalog.weidmuller.com and in Chapter W (Technical Annex)

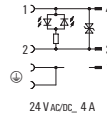
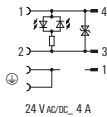
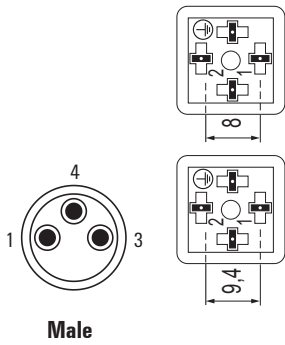
**Dimensioned drawing**



**Valve cables**

**Design C/CD to M8**

Contact spacing C = 9.4 mm; CD = 8mm



**Ordering data**

M8 Male straight - valve plug	
PUR halogen-free	0.15 m
PUR halogen-free	1.5 m
<b>Note</b>	

Suppressor diode (C)	24 V
SAIL-VSC-M8G-0.15U	<b>1309680015</b>
Other lengths on request	

	24 V
SAIL-VSCD-M8G-0.15U	<b>1916700015</b>
SAIL-VSCD-M8G-3-1.5U	<b>1916700150</b>
Other lengths on request	


**Standard cable lengths**

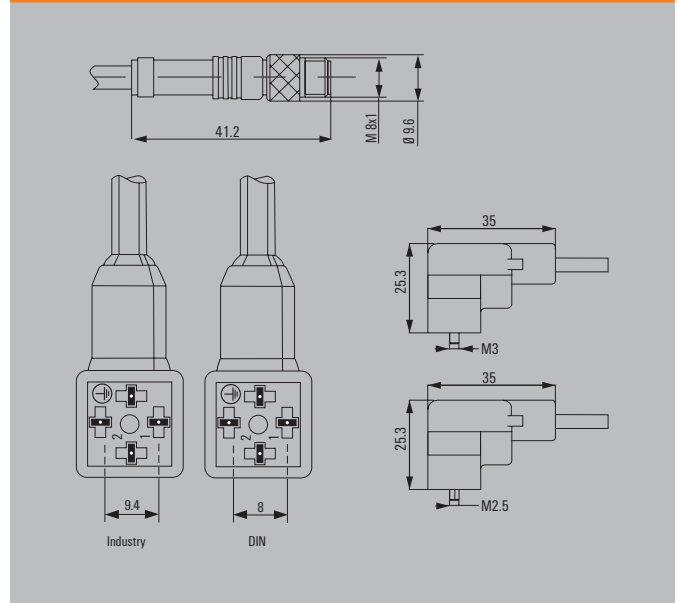
All cables listed in the ordering data have a length of	1.5 m	xxxxxx0150
1.5 metres. The last four ordering digits must be changed when ordering other standard cable lengths.	3.0 m	xxxxxx0300
	5.0 m	xxxxxx0500
	10.0 m	xxxxxx1000

**Technical data**

Core cross-section	0.5 mm <sup>2</sup>
Rated voltage	
Rated current	4 A
Temperature range of housing	-25...+80 °C
Contact surface	tinned
Protection degree	IP67, when screwed in
AF size	
Tightening torque	Mounting screw M3: 0.4 Nm, M2.5 mounting screw: 0.3 Nm, M8: 0.5 - 0.6 Nm
Approvals	CE

Further technical data of the cables on catalog.weidmuller.com and in Chapter W (Technical Annex)

**Dimensioned drawing**



**Connecting line**  
100 m ring

**0.25 mm<sup>2</sup>, PUR, 3 poles, unshielded**

**0.25 mm<sup>2</sup>, PUR, 4 poles, unshielded**



**Technical data**

Shielded	No
Number of poles	3
Wire cross section	0.25 mm <sup>2</sup>
Outer diameter	4.1 ± 0.2 mm
Sheath material	PUR
Sheathing colour	black
Insulation	PP
Colour coding	brown, blue, black
Temperature range, moving, min / max	-25...80 °C
Temperature range fixed, min / max	-40...80 °C
Halogen	No
Suitable for cable carriers	Yes
Resistant to welding beads	No
Torsion resistance	360
Acceleration	5
Speed	5
Bending cycles	12 Mio
<b>Note</b>	Further technical data of the cables on catalog.weidmueller.com and in Chapter W (Technical Annex)

Shielded	No
Number of poles	4
Wire cross section	0.25 mm <sup>2</sup>
Outer diameter	4.4 ± 0.2 mm
Sheath material	PUR
Sheathing colour	black
Insulation	PP
Colour coding	brown, white, blue, black
Temperature range, moving, min / max	-25...80 °C
Temperature range fixed, min / max	-40...80 °C
Halogen	No
Suitable for cable carriers	Yes
Resistant to welding beads	No
Torsion resistance	360
Acceleration	5
Speed	5
Bending cycles	12 Mio
<b>Note</b>	Further technical data of the cables on catalog.weidmueller.com and in Chapter W (Technical Annex)

Shielded	No
Number of poles	4
Wire cross section	0.25 mm <sup>2</sup>
Outer diameter	4.4 ± 0.2 mm
Sheath material	PUR
Sheathing colour	black
Insulation	PP
Colour coding	brown, white, blue, black
Temperature range, moving, min / max	-25...80 °C
Temperature range fixed, min / max	-40...80 °C
Halogen	No
Suitable for cable carriers	Yes
Resistant to welding beads	No
Torsion resistance	360
Acceleration	5
Speed	5
Bending cycles	12 Mio
<b>Note</b>	Further technical data of the cables on catalog.weidmueller.com and in Chapter W (Technical Annex)

**Ordering data**

Length	100.0 m
<b>Note</b>	

Type	Qty.	Order No.
SAIH-3X0,25(PUR)	100	1902140000
Other lengths on request		

Type	Qty.	Order No.
SAIH-4X0,25(PUR)	100	1902120000
Other lengths on request		

**Accessories**

Tools
Sheathing strippers, For UTP and STP data cables
Cutting tool

Type	Qty.	Order No.
AM 12	1	9030060000
KT 8	1	9002650000

Type	Qty.	Order No.
AM 12	1	9030060000
KT 8	1	9002650000

**Note**

See chapter W for further technical data

**Connecting cable for sensors and actuators**

**Connecting line**  
100 m ring

**0.34 mm<sup>2</sup>, PUR, 3 poles, unshielded**

**0.34 mm<sup>2</sup>, PUR, 4 poles, unshielded**



**B**

**Technical data**

Shielded	No	No
Number of poles	3	4
Wire cross section	0.34 mm <sup>2</sup>	0.34 mm <sup>2</sup>
Outer diameter	4.3 ± 0.2 mm	4.7 ± 0.2 mm
Sheath material	PUR	PUR
Sheathing colour	black	black
Insulation	PP	PP
Colour coding	brown, blue, black	brown, white, blue, black
Temperature range, moving, min / max	-25...80 °C	-25...80 °C
Temperature range fixed, min / max	-50...80 °C	-40...80 °C
Halogen	No	No
Suitable for cable carriers	Yes	Yes
Resistant to welding beads	No	No
Torsion resistance	360	360
Acceleration	5	5
Speed	5	5
Bending cycles	12 Mio	12 Mio
<b>Note</b>	Further technical data of the cables on catalog.weidmueller.com and in Chapter W (Technical Annex)	

**Ordering data**

100.0 m	<b>Type</b>	<b>Qty.</b>	<b>Order No.</b>	<b>Type</b>	<b>Qty.</b>	<b>Order No.</b>
<b>Note</b>	SAIH-3X0,34(PUR)	100	<b>1902110000</b>	SAIH-4X0,34(PUR)	100	<b>1902130000</b>

**Accessories**

<b>Tools</b>	<b>Type</b>	<b>Qty.</b>	<b>Order No.</b>	<b>Type</b>	<b>Qty.</b>	<b>Order No.</b>
Sheathing strippers, For UTP and STP data cables	AM 12	1	<b>9030060000</b>	AM 12	1	<b>9030060000</b>
Cutting tool	KT 8	1	<b>9002650000</b>	KT 8	1	<b>9002650000</b>

**Note**

**Connecting line**  
100 m ring

**0.34 mm<sup>2</sup>, PUR, 5 poles, unshielded**



**Technical data**

Shielded	No
Number of poles	5
Wire cross section	0.34 mm <sup>2</sup>
Outer diameter	5.0 ± 0.2 mm
Sheath material	PUR
Sheathing colour	black
Insulation	PP
Colour coding	brown, white, blue, black, grey
Temperature range, moving, min / max	-25...80 °C
Temperature range fixed, min / max	-40...80 °C
Halogen	No
Suitable for cable carriers	Yes
Resistant to welding beads	No
Torsion resistance	360
Acceleration	5
Speed	5
Bending cycles	12 Mio
<b>Note</b>	Further technical data of the cables on <a href="http://catalog.weidmueller.com">catalog.weidmueller.com</a> and in Chapter W (Technical Annex)

**Ordering data**

Type	Qty.	Order No.
SAIH-5X0,34(PUR)	100	<b>1022960000</b>
Other lengths on request		

**Accessories**

Tools	Type	Qty.	Order No.
Sheathing strippers, For UTP and STP data cables Cutting tool	AM 12	1	<b>9030060000</b>
	KT 8	1	<b>9002650000</b>

**Note**

**Note**

Connecting cable for sensors and actuators

Connecting line  
100 m ring

0.25 mm<sup>2</sup>, PVC, 3 poles, unshielded

0.25 mm<sup>2</sup>, PVC, 4 poles, unshielded



**B**

**Technical data**

	0.25 mm <sup>2</sup> , PVC, 3 poles, unshielded	0.25 mm <sup>2</sup> , PVC, 4 poles, unshielded
Shielded	No	No
Number of poles	3	4
Wire cross section	0.25 mm <sup>2</sup>	0.25 mm <sup>2</sup>
Outer diameter	4.5 ± 0.2 mm	4.8 ± 0.2 mm
Sheath material	PVC	PVC
Sheathing colour	black	black
Insulation	PVC	PVC
Colour coding	brown, blue, black	brown, white, blue, black
Temperature range, moving, min / max	-5...80 °C	-5...80 °C
Temperature range fixed, min / max	-30...80 °C	-30...80 °C
Halogen	Yes	Yes
Suitable for cable carriers	No	No
Resistant to welding beads	No	No
Torsion resistance	0	0
Acceleration		
Speed		
Bending cycles		
<b>Note</b>	Further technical data of the cables on catalog.weidmueller.com and in Chapter W (Technical Annex)	Further technical data of the cables on catalog.weidmueller.com and in Chapter W (Technical Annex)

**Ordering data**

	Type	Qty.	Order No.
100.0 m	SAIH-3X0,25(PVC)	100	1902190000
<b>Note</b>	Other lengths on request		
	Type	Qty.	Order No.
	SAIH-4X0,25(PVC)	100	1902170000
	Other lengths on request		

**Accessories**

Tools	Type	Qty.	Order No.
Sheathing strippers, For UTP and STP data cables	AM 12	1	9030060000
Cutting tool	KT 8	1	9002650000
	Type	Qty.	Order No.
	AM 12	1	9030060000
	KT 8	1	9002650000

**Note**



**Connecting line**  
100 m ring

**0.34 mm<sup>2</sup>, PVC, 3 poles, unshielded**

**0.34 mm<sup>2</sup>, PVC, 4 poles, unshielded**



**Technical data**

Shielded	No
Number of poles	3
Wire cross section	0.34 mm <sup>2</sup>
Outer diameter	4.9 ± 0.2 mm
Sheath material	PVC
Sheathing colour	black
Insulation	PVC
Colour coding	brown, blue, black
Temperature range, moving, min / max	-5...80 °C
Temperature range fixed, min / max	-30...80 °C
Halogen	Yes
Suitable for cable carriers	No
Resistant to welding beads	No
Torsion resistance	0
Acceleration	
Speed	
Bending cycles	
<b>Note</b>	Further technical data of the cables on catalog.weidmueller.com and in Chapter W (Technical Annex)

Shielded	No
Number of poles	4
Wire cross section	0.34 mm <sup>2</sup>
Outer diameter	5.3 ± 0.2 mm
Sheath material	PVC
Sheathing colour	black
Insulation	PVC
Colour coding	brown, white, blue, black
Temperature range, moving, min / max	-5...80 °C
Temperature range fixed, min / max	-30...80 °C
Halogen	Yes
Suitable for cable carriers	No
Resistant to welding beads	No
Torsion resistance	0
Acceleration	
Speed	
Bending cycles	
<b>Note</b>	Further technical data of the cables on catalog.weidmueller.com and in Chapter W (Technical Annex)

Shielded	No
Number of poles	4
Wire cross section	0.34 mm <sup>2</sup>
Outer diameter	5.3 ± 0.2 mm
Sheath material	PVC
Sheathing colour	black
Insulation	PVC
Colour coding	brown, white, blue, black
Temperature range, moving, min / max	-5...80 °C
Temperature range fixed, min / max	-30...80 °C
Halogen	Yes
Suitable for cable carriers	No
Resistant to welding beads	No
Torsion resistance	0
Acceleration	
Speed	
Bending cycles	
<b>Note</b>	Further technical data of the cables on catalog.weidmueller.com and in Chapter W (Technical Annex)

**Ordering data**

	100.0 m
<b>Note</b>	

Type	Qty.	Order No.
SAIH-3X0,34(PVC)	100	1902160000
Other lengths on request		

Type	Qty.	Order No.
SAIH-4X0,34(PVC)	100	1902180000
Other lengths on request		

**Accessories**

Tools
Sheathing strippers, For UTP and STP data cables
Cutting tool

Type	Qty.	Order No.
AM 12	1	9030060000
KT 8	1	9002650000

Type	Qty.	Order No.
AM 12	1	9030060000
KT 8	1	9002650000



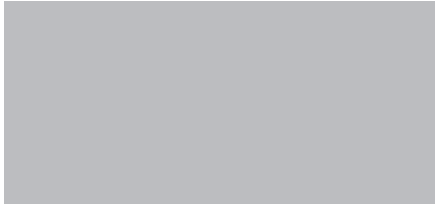
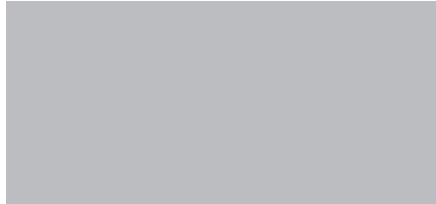
**Connecting cable for sensors and actuators**

**Connecting line**  
100 m ring

**0.34 mm<sup>2</sup>, PVC, 5 poles, unshielded**



**B**



**Technical data**

Shielded	No
Number of poles	4
Wire cross section	0.34 mm <sup>2</sup>
Outer diameter	5.7 ± 0.2 mm
Sheath material	PVC
Sheathing colour	black
Insulation	PVC
Colour coding	brown, white, blue, black, grey
Temperature range, moving, min / max	-5...80 °C
Temperature range fixed, min / max	-30...80 °C
Halogen	Yes
Suitable for cable carriers	No
Resistant to welding beads	No
Torsion resistance	0
Acceleration	
Speed	
Bending cycles	
<b>Note</b>	

**Ordering data**

Type	Qty.	Order No.
SAIH-5X0.34(PVC)	100	<b>1412620000</b>
Other lengths on request		

**Accessories**

Type	Qty.	Order No.
AM 12	1	<b>9030060000</b>
KT 8	1	<b>9002650000</b>

**Tools**  
Sheathing strippers, For UTP and STP data cables  
Cutting tool

**Note**

**Connecting line**  
100 m ring

**0.34 mm<sup>2</sup>, PUR, 3 poles, unshielded**

**0.34 mm<sup>2</sup>, PUR, 4 poles, unshielded**



**Technical data**

Shielded	No
Number of poles	3
Wire cross section	0.34 mm <sup>2</sup>
Outer diameter	4.3 ± 0.2 mm
Sheath material	PUR
Sheathing colour	yellow
Insulation	PP
Colour coding	brown, blue, black
Temperature range, moving, min / max	-25...80 °C
Temperature range fixed, min / max	-40...80 °C
Halogen	No
Suitable for cable carriers	Yes
Resistant to welding beads	No
Torsion resistance	360
Acceleration	5
Speed	5
Bending cycles	5 Mio
<b>Note</b>	

Shielded	No
Number of poles	4
Wire cross section	0.34 mm <sup>2</sup>
Outer diameter	4.7 ± 0.2 mm
Sheath material	PUR
Sheathing colour	yellow
Insulation	PP
Colour coding	brown, white, blue, black
Temperature range, moving, min / max	-25...80 °C
Temperature range fixed, min / max	-40...80 °C
Halogen	No
Suitable for cable carriers	Yes
Resistant to welding beads	No
Torsion resistance	360
Acceleration	5
Speed	5
Bending cycles	5 Mio
<b>Note</b>	

Shielded	No
Number of poles	4
Wire cross section	0.34 mm <sup>2</sup>
Outer diameter	4.7 ± 0.2 mm
Sheath material	PUR
Sheathing colour	yellow
Insulation	PP
Colour coding	brown, white, blue, black
Temperature range, moving, min / max	-25...80 °C
Temperature range fixed, min / max	-40...80 °C
Halogen	No
Suitable for cable carriers	Yes
Resistant to welding beads	No
Torsion resistance	360
Acceleration	5
Speed	5
Bending cycles	5 Mio
<b>Note</b>	

**Ordering data**

Type	SAIH-3X0.34(PUR)GE
Qty.	100
Order No.	1345520000
<b>Note</b>	Other lengths on request

Type	SAIH-4X0.34(PUR)GE
Qty.	100
Order No.	1345530000
<b>Note</b>	Other lengths on request

Type	SAIH-4X0.34(PUR)GE
Qty.	100
Order No.	1345530000
<b>Note</b>	Other lengths on request

**Accessories**

<b>Tools</b>	
Sheathing strippers, For UTP and STP data cables	
Cutting tool	

Type	Qty.	Order No.
AM 12	1	9030060000
KT 8	1	9002650000

Type	Qty.	Order No.
AM 12	1	9030060000
KT 8	1	9002650000



**Connecting cable for sensors and actuators**

**Connecting line**  
100 m ring

**0.34 mm<sup>2</sup>, PUR, 5 poles, unshielded**



**B**



**Technical data**

Shielded	No
Number of poles	3
Wire cross section	0.34 mm <sup>2</sup>
Outer diameter	5.0 ± 0.2 mm
Sheath material	PUR
Sheathing colour	yellow
Insulation	PP
Colour coding	brown, white, blue, black, grey
Temperature range, moving, min / max	-25...80 °C
Temperature range fixed, min / max	-40...80 °C
Halogen	No
Suitable for cable carriers	Yes
Resistant to welding beads	No
Torsion resistance	360
Acceleration	5
Speed	5
Bending cycles	5 Mio
<b>Note</b>	

**Ordering data**

Type	Qty.	Order No.
SAIH-5X0.34(PUR)GE	100	<b>1345540000</b>
Other lengths on request		

**Accessories**

Type	Qty.	Order No.
AM 12	1	<b>9030060000</b>
KT 8	1	<b>9002650000</b>

Tools  
Sheathing strippers, For UTP and STP data cables  
Cutting tool

**Note**

**Note**

**Connecting line**  
100 m ring

**0.34 mm<sup>2</sup>, PUR, 3 poles, shielded**



**0.34 mm<sup>2</sup>, PUR, 4 poles, shielded**



**Technical data**

Shielded	Yes
Number of poles	3
Wire cross section	0.34 mm <sup>2</sup>
Outer diameter	5.0 ± 0.2 mm
Sheath material	PUR
Sheathing colour	black
Insulation	PP
Colour coding	brown, blue, black
Temperature range, moving, min / max	-25...80 °C
Temperature range fixed, min / max	-40...80 °C
Halogen	No
Suitable for cable carriers	Yes
Resistant to welding beads	No
Torsion resistance	0
Acceleration	5
Speed	200
Bending cycles	2 Mio
<b>Note</b>	

Shielded	Yes
Number of poles	4
Wire cross section	0.34 mm <sup>2</sup>
Outer diameter	5.4 ± 0.2 mm
Sheath material	PUR
Sheathing colour	black
Insulation	PP
Colour coding	black, brown, white, blue
Temperature range, moving, min / max	-25...80 °C
Temperature range fixed, min / max	-40...80 °C
Halogen	No
Suitable for cable carriers	Yes
Resistant to welding beads	No
Torsion resistance	0
Acceleration	5
Speed	200
Bending cycles	2 Mio
<b>Note</b>	

Shielded	Yes
Number of poles	4
Wire cross section	0.34 mm <sup>2</sup>
Outer diameter	5.4 ± 0.2 mm
Sheath material	PUR
Sheathing colour	black
Insulation	PP
Colour coding	black, brown, white, blue
Temperature range, moving, min / max	-25...80 °C
Temperature range fixed, min / max	-40...80 °C
Halogen	No
Suitable for cable carriers	Yes
Resistant to welding beads	No
Torsion resistance	0
Acceleration	5
Speed	200
Bending cycles	2 Mio
<b>Note</b>	

**Ordering data**

	100.0 m
<b>Note</b>	

Type	Qty.	Order No.
SAIH-3X0.34-S(PUR)	100	1357320000
Other lengths on request		

Type	Qty.	Order No.
SAIH-4X0.34-S(PUR)	100	1357330000
Other lengths on request		

**Accessories**

Tools
Sheathing strippers, For UTP and STP data cables
Cutting tool

Type	Qty.	Order No.
AM 12	1	9030060000
KT 8	1	9002650000

Type	Qty.	Order No.
AM 12	1	9030060000
KT 8	1	9002650000



**Connecting cable for sensors and actuators**

**Connecting line**  
100 m ring

**0.34 mm<sup>2</sup>, PUR, 5 poles, shielded**



**B**



**Technical data**

Shielded	Yes
Number of poles	5
Wire cross section	0.34 mm <sup>2</sup>
Outer diameter	5.7 ± 0.2 mm
Sheath material	PUR
Sheathing colour	black
Insulation	PP
Colour coding	blue, white, brown, grey, black
Temperature range, moving, min / max	-25...80 °C
Temperature range fixed, min / max	-40...80 °C
Halogen	No
Suitable for cable carriers	Yes
Resistant to welding beads	No
Torsion resistance	0
Acceleration	5
Speed	200
Bending cycles	2 Mio
<b>Note</b>	

**Ordering data**

Type	Qty.	Order No.
SAIH-5X0.34-S(PUR)	100	<b>1357340000</b>
Other lengths on request		

**Accessories**

Type	Qty.	Order No.
AM 12	1	<b>9030060000</b>
KT 8	1	<b>9002650000</b>

**Note**

**Note**

Bus cable

3 x 0.75 - 8 x 0.34, PUR, unshielded

3 x 0.75 - 16 x 0.34, PUR, unshielded



Technical data

Shielded	No
Number of poles	11
Wire cross section	3 x 0.75 mm <sup>2</sup> + 8 x 0.34 mm <sup>2</sup>
Outer diameter	7.7 ± 0.3 mm
Sheath material	PUR
Sheathing colour	black
Insulation	TPM
Colour coding	white, green, yellow, grey, pink, red, black, violet, blue, brown, Green/ yellow
Temperature range, moving, min / max	-25...80 °C
Temperature range fixed, min / max	-50...80 °C
Halogen	No
Suitable for cable carriers	Yes
Resistant to welding beads	No
Torsion resistance	0
Acceleration	5
Speed	200
Bending cycles	2 Mio
<b>Note</b>	Weitere technische Kabeldaten auf <a href="http://catalog.weidmueller.com">catalog.weidmueller.com</a> und im Kapitel W (Technischer Anhang)

Shielded	No
Number of poles	19
Wire cross section	3 x 0.75 mm <sup>2</sup> + 16 x 0.34 mm <sup>2</sup>
Outer diameter	9.1 ± 0.3 mm
Sheath material	PUR
Sheathing colour	black
Insulation	TPM
Colour coding	violet, red, grey, red / blue, green, blue, grey / pink, white / green, white / yellow, white / grey, black, Green/yellow, Yellow / brown, brown / green, white, yellow, pink, grey / brown, brown
Temperature range, moving, min / max	-25...80 °C
Temperature range fixed, min / max	-50...80 °C
Halogen	No
Suitable for cable carriers	Yes
Resistant to welding beads	No
Torsion resistance	0
Acceleration	5
Speed	200
Bending cycles	2 Mio
<b>Note</b>	Further technical data of the cables on <a href="http://catalog.weidmueller.com">catalog.weidmueller.com</a> and in Chapter W (Technical Annex)

Shielded	No
Number of poles	19
Wire cross section	3 x 0.75 mm <sup>2</sup> + 16 x 0.34 mm <sup>2</sup>
Outer diameter	9.1 ± 0.3 mm
Sheath material	PUR
Sheathing colour	black
Insulation	TPM
Colour coding	violet, red, grey, red / blue, green, blue, grey / pink, white / green, white / yellow, white / grey, black, Green/yellow, Yellow / brown, brown / green, white, yellow, pink, grey / brown, brown
Temperature range, moving, min / max	-25...80 °C
Temperature range fixed, min / max	-50...80 °C
Halogen	No
Suitable for cable carriers	Yes
Resistant to welding beads	No
Torsion resistance	0
Acceleration	5
Speed	200
Bending cycles	2 Mio
<b>Note</b>	Further technical data of the cables on <a href="http://catalog.weidmueller.com">catalog.weidmueller.com</a> and in Chapter W (Technical Annex)

Ordering data

100 m cable on a reel
500 m cable on a reel
<b>Note</b>

Type	Qty.	Order No.
SAIH-SLL-3X0,75-8X0,34-100	1	2764930000
SAIH-SLL-3X0,75-8X0,34-500	1	2764940000

Type	Qty.	Order No.
VPE 1/ 1 REEL = 100 METER	1	2764950000
SAIH-SLL-3X0.75-16X0.34-500	1	2764960000

Accessories

Tools
Sheathing strippers, For UTP and STP data cables
Cutting tool

Type	Qty.	Order No.
AM 12	1	9030060000
KT 8	1	9002650000

Type	Qty.	Order No.
AM 12	1	9030060000
KT 8	1	9002650000

<b>Note</b>
-------------

<b>Note</b>
-------------

<b>Note</b>
-------------

**Connecting cable for Weidmüller distributor**

**Bus cable**

**5 x 0.75 - 16 x 0.34, PUR, unshielded**

**3 x 1.0 - 16 x 0.5, PUR, unshielded**



**B**

**Technical data**

Shielded	No
Number of poles	21
Wire cross section	5 x 0.75 mm <sup>2</sup> + 16 x 0.34 mm <sup>2</sup>
Outer diameter	9.5 ± 0.3 mm
Sheath material	PUR
Sheathing colour	black
Insulation	TPM
Colour coding	brown, blue, red, black, Green/yellow, white, green, yellow, grey, pink, violet, grey / pink, red / blue, white / green, brown / green, white / yellow, Yellow / brown, white / grey, grey / brown
Temperature range, moving, min / max	-25...80 °C
Temperature range fixed, min / max	-50...80 °C
Halogen	No
Suitable for cable carriers	Yes
Resistant to welding beads	No
Torsion resistance	0
Acceleration	5
Speed	200
Bending cycles	2 Mio
<b>Note</b>	Further technical data of the cables on catalog.weidmueller.com and in Chapter W (Technical Annex)

Shielded	No
Number of poles	19
Wire cross section	3 x 1.0 mm <sup>2</sup> + 16 x 0.5 mm <sup>2</sup>
Outer diameter	11.30 mm ± 0.3 mm
Sheath material	PUR
Sheathing colour	black
Insulation	TPM
Colour coding	Yellow / brown, brown / green, white, yellow, pink, grey / brown, brown, violet, red, grey, red / blue, green, blue, grey / pink, white / green, white / yellow, white / grey, black, Green/yellow
Temperature range, moving, min / max	-25...80 °C
Temperature range fixed, min / max	-50...80 °C
Halogen	No
Suitable for cable carriers	Yes
Resistant to welding beads	No
Torsion resistance	0
Acceleration	5
Speed	200
Bending cycles	2 Mio
<b>Note</b>	Further technical data of the cables on catalog.weidmueller.com and in Chapter W (Technical Annex)

Shielded	No
Number of poles	19
Wire cross section	3 x 1.0 mm <sup>2</sup> + 16 x 0.5 mm <sup>2</sup>
Outer diameter	11.30 mm ± 0.3 mm
Sheath material	PUR
Sheathing colour	black
Insulation	TPM
Colour coding	Yellow / brown, brown / green, white, yellow, pink, grey / brown, brown, violet, red, grey, red / blue, green, blue, grey / pink, white / green, white / yellow, white / grey, black, Green/yellow
Temperature range, moving, min / max	-25...80 °C
Temperature range fixed, min / max	-50...80 °C
Halogen	No
Suitable for cable carriers	Yes
Resistant to welding beads	No
Torsion resistance	0
Acceleration	5
Speed	200
Bending cycles	2 Mio
<b>Note</b>	Further technical data of the cables on catalog.weidmueller.com and in Chapter W (Technical Annex)

**Ordering data**

100 m cable on a reel
500 m cable on a reel
<b>Note</b>

Type	Qty.	Order No.
SAIH-SLL-5X0,75-16X0,34-100	1	2764970000
SAIH-SLL-5X0,75-16X0,34-500	1	2764980000

Type	Qty.	Order No.
SAIH-SLL-3X1.0-16X0.5-100	1	2764890000
SAIH-SLL-3X1.0-16X0.5-500	1	2764900000

**Accessories**

<b>Tools</b>
Sheathing strippers, For UTP and STP data cables
Cutting tool

Type	Qty.	Order No.
AM 12	1	9030060000
KT 8	1	9002650000

Type	Qty.	Order No.
AM 12	1	9030060000
KT 8	1	9002650000

<b>Note</b>
-------------

<b>Note</b>
-------------

<b>Note</b>
-------------



# M8, M12 Plug-in connectors and protective caps

<b>M8, M12 Plug-in connectors and protective caps</b>	SAI connectors	C.2
	Customisable connectors	C.4
	Connectors - accessories	C.40
	Built-in plugs	C.48
	Valve plugs for custom assembly	C.58
	Protective sleeve adapter	C.64

# SAI connectors

Today, M8 and M12 connectors for self-assembly are essential components. Due to varying application requirements, in some cases overmoulded cables cannot be used.

## Coding:

- A and B coding for signals
- K, L, S and T coding for power
- D coding for data

## Wire-connection methods:

- Screw connection
- PUSH IN connection
- Tension clamp connection
- Crimp connection
- IDC connection
- Solder connection





### Fast

PUSH IN, IDC and tension clamp connection in either shielded or unshielded.



### Versatile

Various connection technologies: screw, tension clamp, PUSH IN, IDC, soldered and crimp connection



### Proven

Plug-in connector suitable for use in harsh surroundings, IP67/69



### Safe

Plug-in connector with shield connection. For increasing EMC requirements in your applications.



### M12 connectors

Screw and tension clamp connection  
PUSH-IN, insulation displacement connection, solder connection, crimp connection



### M8 connectors

Screw- and solder connection  
insulation displacement connection



### M8 and M12 connectors

T-distributor, Y-distributor and adaptor



### Protective caps for SAI distributors



### M12/M8/M5

Built in connectors



### Customisable valve connectors

# Overview

## M12 and M8 plug-in connectors

### M8



Plugs and sockets (screw connection) for custom assembly to make up M8 and M12 connections.

Machine builders frequently need individual cable lengths. To meet this demand, Weidmüller can supply M8 and M12 plug in connectors for custom assembly.

### M12



### M12 Metal



The plug in connectors are available with different cable gland diameters. In the 90° versions, the outgoing direction of the cable can be changed in 90° steps. The connected plug in connectors comply with IP 67 and IP 69 ingress protection classification. There are also plug in connectors available for double assignment of distributors.

### Screwty®



This is the perfect tool for all common cable glands on sensor and actuator cables.

The Screwty® fits M23, M12 and M8 round plugs. Both types can be used for the plugs and sockets on custom cables.

The handle of every Screwty® has a conventional 1/4 inch fitting and can be used for all sizes. Simply turn the tool to tighten or release a round plug.

The Screwty® is also available with a torque fitting. This adjustable attachment can be used for all sizes. The torque can be infinitely adjusted between 0.5 and 1.7 Nm.

### IDC-Tool



#### Handling video:

SAI Connector M12 Tension Clamp  
[www.weidmueller.com/handling-m12-tension-clamp](http://www.weidmueller.com/handling-m12-tension-clamp)



#### Handling video:

SAI Connector M12 Unshielded  
[www.weidmueller.com/handling-m12-screw](http://www.weidmueller.com/handling-m12-screw)

# Overview of SAI connector M12

## Plastic

A-coded, Screw connection	straight			angled		
	3-pole	4-pole	5-pole	3-pole	4-pole	5-pole
Male, Ø Cable 4-6 mm	1021470000	9457550000	9456940000	1021280000	9457290000	9456950000
Female, Ø Cable 4-6 mm	1021490000	9457240000	9457250000	1021310000	9457700000	9457260000
A-coded, Screw connection						
Male, Ø Cable 6-8 mm	1021480000	1807340000	1807350000	1021280000	1807360000	1807370000
Female, Ø Cable 6-8 mm	1021510000	1807230000	1807250000	1021310000	1807240000	1807330000
A-coded, Screw connection	8-pole		12-pole (Lötanschluss)	8-pole		
Male, Ø Cable 6-8 mm	1836970000	1924950000				
Female, Ø Cable 6-8 mm	1836960000	1924960000		1934890000		
A-coded, PUSH IN	3-pole	4-pole	5-pole	3-pole	4-pole	5-pole
Male, Ø Cable 4-8 mm		2681480000	2681560000		2681490000	2681570000
Female, Ø Cable 4-8 mm		2681500000	2681580000		2681510000	2681590000
A-coded, IDC connection	(0.14 - 0.34 mm <sup>2</sup> )		(0.34 - 0.75 mm <sup>2</sup> )			
	4-pole		4-pole			
Male	1781550001	1852740000				
Female	1781540001	1852730000				
A-coded, Tension clamp connection				5-pole		
Male			1906390000			
Female			1924970000			

## Metal

A-coded, Screw connection	straight			angled		
	3-pole	4-pole	5-pole	3-pole	4-pole	5-pole
Male, Ø Cable 4-6 mm			1191030000			
Female, Ø Cable 4-6 mm			1191020000			
A-coded, Screw connection						
Male, Ø Cable 6-8 mm		9455640000	1784740000		1803930000	1803940000
Female, Ø Cable 6-8 mm		8426220000	1784750000		1803910000	1803920000
A-coded, PUSH IN						
Male, Ø Cable 4-8 mm		2681520000	2681600000		2681530000	2681610000
Female, Ø Cable 4-8 mm		2681540000	2681620000		2681550000	2681630000
A-coded, Tension clamp connection						
Male, Ø Cable 6-8 mm						
Female, Ø Cable 6-8 mm		1784740002				1275750000
B-coded, Screw connection						
Male, Ø Cable 6-8 mm			1784790000			1944570000
Female, Ø Cable 6-8 mm			1784780000			1944580000
B-coded, PUSH IN						
Male, Ø Cable 4-8 mm			2681640000			2681650000
Female, Ø Cable 4-8 mm			2681660000			2681670000
D-coded, Screw connection						
Male, Ø Cable 6-8 mm		1892120000				
Female, Ø Cable 6-8 mm		1892130000				
D-coded, PUSH IN						
Male, Ø Cable 4-8 mm		2681680000			2681690000	
Female, Ø Cable 4-8 mm		2681700000			2681710000	
D-coded, Tension clamp connection						
Male, Ø Cable 6-8 mm		1892120001			1803930001	
Female, Ø Cable 6-8 mm		1892130001			1139330000	

# Overview of M8 connectors

## Plastic

Screw connection	straight			angled		
	3-pole	4-pole	5-pole	3-pole	4-pole	5-pole
Male screw connection	1803860000	1803850000				
Female screw connection	1803870000	1803880000				
Male IDC connection	1784040001	1784060001				
Female IDC connection	1784030001	1784050001				
Male solder connection				1920990000	1921000000	
Female solder connection				1920970000	1920980000	

## Metal

Screw connection	straight			angled		
	3-pole	4-pole	5-pole	3-pole	4-pole	5-pole
Male screw connection	1010060000	1010070000				
Female screw connection	1010080000	1010090000				
Male solder connection	1921030000	1921040000				
Female solder connection	1921010000	1921020000				

**M12 screw connection  
A-coded**



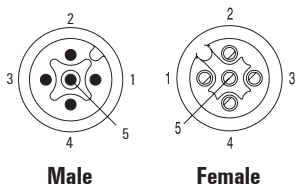
**SAIS / SAIB**

Straight



**SAISW / SAIBW**

Angled



**Ordering data**

Male	
	3-pole. PG 7
	3-pole. PG 9
	4-pole. PG 7
	4-pole. PG 9
Female	
	3-pole. PG 7
	3-pole. PG 9
	4-pole. PG 7
	4-pole. PG 9
Note	

Type	Qty.	Order No.
SAIS-3/7	1	1021470000
SAIS-3/9	1	1021480000
SAIS-4/7	1	9457550000
SAIS-4/9	1	1807340000
Other versions on request		

Type	Qty.	Order No.
SAISW-3/7	1	1021280000
SAISW-3/9	1	1021290000
SAISW-4/7	1	9457290000
SAISW-4/9	1	1807360000
Other versions on request		

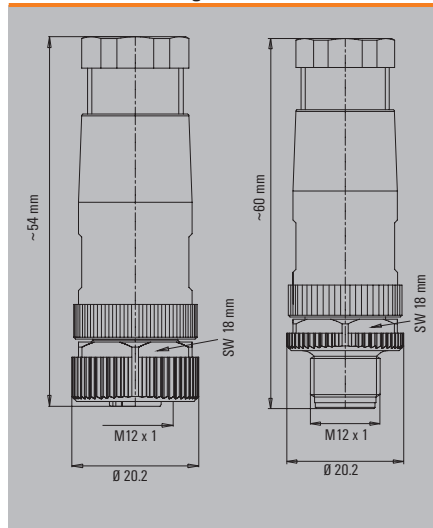
**Technical data**

Type of connection	Screw connection
Threaded ring material	Diecast zinc
Housing main material	PA
Connection thread	M12
Cable diameter	4...6 mm (PG7)/ 6...8 mm (PG9)
Wire cross-section, min. / max.	0.14...0.75 mm <sup>2</sup>
Rated current	4 A
Rated voltage	250 V (3- and 4-pole) / 60 V (5-pole)
Temperature range of housing	-40 ... +85 °C
Protection degree	IP67
Contact surface	CuSnZn
Approvals	CE; cURus
Note	

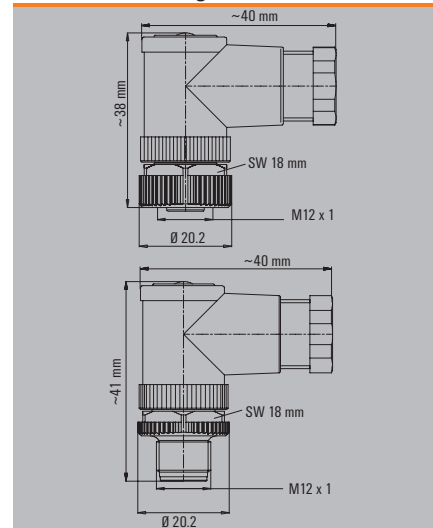
Type of connection	Screw connection
Threaded ring material	Diecast zinc
Housing main material	PA
Connection thread	M12
Cable diameter	4...6 mm (PG7)/ 6...8 mm (PG9)
Wire cross-section, min. / max.	0.14...0.75 mm <sup>2</sup>
Rated current	4 A
Rated voltage	250 V (3- and 4-pole) / 60 V (5-pole)
Temperature range of housing	-40 ... +85 °C
Protection degree	IP67
Contact surface	CuSnZn
Approvals	CE; cURus
Note	

Type of connection	Screw connection
Threaded ring material	Diecast zinc
Housing main material	PA
Connection thread	M12
Cable diameter	4...6 mm (PG7)/ 6...8 mm (PG9)
Wire cross-section, min. / max.	0.14...0.75 mm <sup>2</sup>
Rated current	4 A
Rated voltage	250 V (3- and 4-pole) / 60 V (5-pole)
Temperature range of housing	-40 ... +85 °C
Protection degree	IP67
Contact surface	CuSnZn
Approvals	CE; cURus
Note	

**Dimensioned drawing**

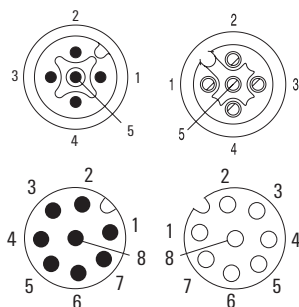


**Dimensioned drawing**



## Customisable connectors

### M12 screw connection A-coded



Male

Female

### SAIS / SAIB

Straight



### SAISW / SAIBW

Angled



#### Ordering data

Male	
	5-pole. PG 7
	5-pole. PG 9
	8-pole. PG 9
Female	
	5-pole. PG 7
	5-pole. PG 9
	8-pole. PG 9
Note	

Type	Qty.	Order No.
SAIS-5/7	1	9456940000
SAIS-5/9	1	1807350000
SAIS-8/9	1	1836970000
SAIB-5/7	1	9457250000
SAIB-5/9	1	1807250000
SAIB-8/9	1	1836960000
Other versions on request		

Type	Qty.	Order No.
SAISW-5/7	1	9456950000
SAISW-5/9	1	1807370000
SAIBW-5/7	1	9457260000
SAIBW-5/9	1	1807330000
SAIBW-8/9-M12	1	1934890000
Other versions on request		

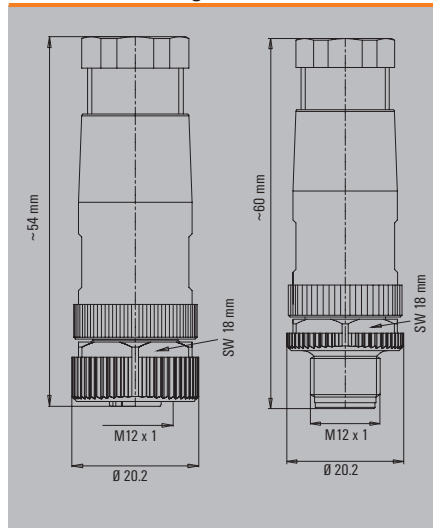
#### Technical data

Type of connection	Screw connection
Threaded ring material	Diecast zinc
Housing main material	PA
Connection thread	M12
Cable diameter	4...6 mm (PG7) / 6...8 mm (PG9)
Wire cross-section, min. / max.	0.14...0.75 mm <sup>2</sup>
Rated current	4 A
Rated voltage	250 V (4-pole) / 60 V (5-pole) / 30 V (8-pole)
Temperature range of housing	-40 ... +85 °C
Protection degree	IP67
Contact surface	CuSnZn
Approvals	CE; cURus
Note	

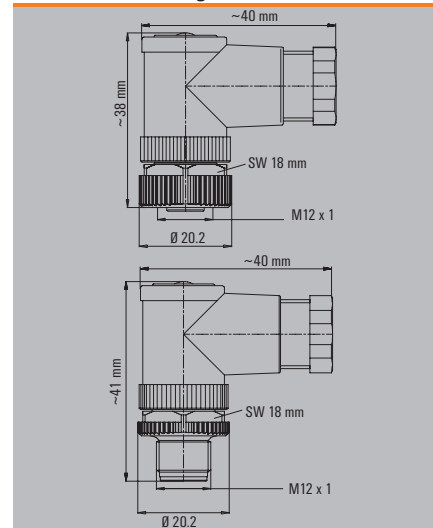
Type of connection	Screw connection
Threaded ring material	Diecast zinc
Housing main material	PA
Connection thread	M12
Cable diameter	4...6 mm (PG7) / 6...8 mm (PG9)
Wire cross-section, min. / max.	0.14...0.75 mm <sup>2</sup>
Rated current	4 A
Rated voltage	250 V (4-pole) / 60 V (5-pole) / 30 V (8-pole)
Temperature range of housing	-40 ... +85 °C
Protection degree	IP67
Contact surface	CuSnZn
Approvals	CE; cURus
Note	

Type of connection	Screw connection
Threaded ring material	Diecast zinc
Housing main material	PA
Connection thread	M12
Cable diameter	4...6 mm (PG7) / 6...8 mm (PG9)
Wire cross-section, min. / max.	0.14...0.75 mm <sup>2</sup>
Rated current	4 A
Rated voltage	250 V (4-pole) / 60 V (5-pole) / 30 V (8-pole)
Temperature range of housing	-40 ... +85 °C
Protection degree	IP67
Contact surface	CuSnZn
Approvals	CE; cURus
Note	

#### Dimensioned drawing



#### Dimensioned drawing





**Twin plug  
M12 screw connection  
A-coded**

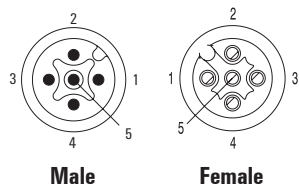


**SAIS-ZW**

Straight

**SAIS-ZWW**

Angled



**Ordering data**

Type	Qty.	Order No.
SAIS-ZW-5	1	9457540000
Other versions on request		

Note

**Technical data**

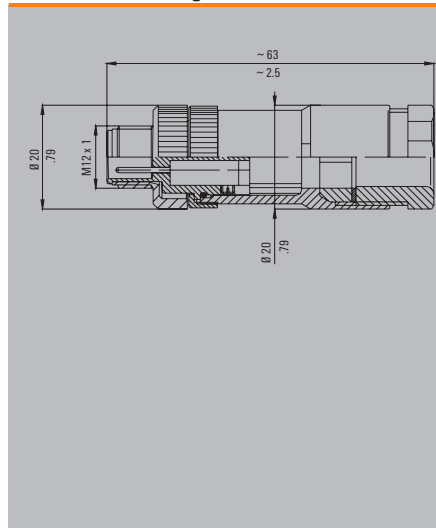
Type of connection	Screw connection
Threaded ring material	Diecast zinc
Housing main material	PA
Connection thread	M12
Cable diameter	1...3 mm, 4...5 mm
Wire cross-section, min. / max.	0.14...0.75 mm <sup>2</sup>
Rated current	4 A
Rated voltage	60 V
Temperature range of housing	-25...+85 °C
Protection degree	IP67
Contact surface	CuSnZn
Approvals	cURus
<b>Note</b>	Includes: 2 seals for different cable diameters.

Type	Qty.	Order No.
SAIS-ZWW	1	1837560000
Other versions on request		

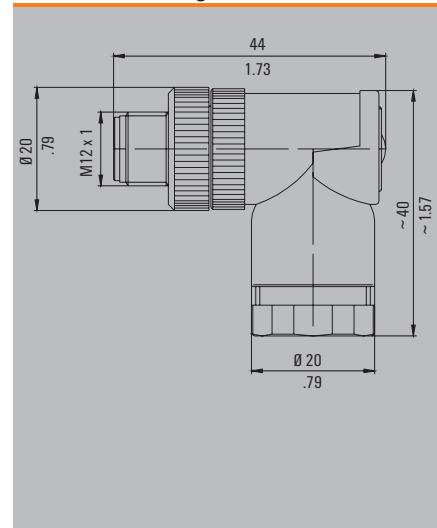
Note

Type of connection	Screw connection
Threaded ring material	Diecast zinc
Housing main material	PA
Connection thread	M12
Cable diameter	1...3 mm, 4...5 mm
Wire cross-section, min. / max.	0.14...0.75 mm <sup>2</sup>
Rated current	4 A
Rated voltage	60 V
Temperature range of housing	-25...+85 °C
Protection degree	IP67
Contact surface	CuSnZn
Approvals	cURus
<b>Note</b>	Includes: 2 seals for different cable diameters.

**Dimensioned drawing**

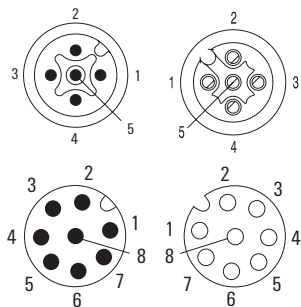


**Dimensioned drawing**



Customisable connectors

**M12 screw connection**  
**A-coded**  
**Plastic**



Male

Female

**Ordering data**

Male	
4-pole. PG 7	
5-pole. PG 7	
5-pole. PG 9	
8-pole. PG 9	
Female	
4-pole. PG 7	
5-pole. PG 7	
5-pole. PG 9	

**Note**

**Technical data**

Type of connection	Screw connection
Threaded ring material	Plastic
Housing main material	PA
Connection thread	M12
Cable diameter	4...6 mm (PG7) / 6...8 mm (PG9)
Wire cross-section, min. / max.	0.14...0.75 mm <sup>2</sup>
Rated current	4 A
Rated voltage	250 V (4-pole) / 60 V (5-pole)
Temperature range of housing	-40 ... +85 °C
Protection degree	IP67
Contact surface	CuSnZn
Approvals	CE, cURus

**Note**

**SAIS / SAIB**

Straight



**SAISW / SAIBW**

Angled



Type	Qty.	Order No.
SAIS-4/7-(KV)	1	1921060000
SAIS-5/7-(KV)	1	1921050000
SAIS-5/9-(KV)	1	1007080000
SAIS-8/9-(KV)	1	1461930000

SAIB-4/7-(KV)	1	1921080000
SAIB-5/7-(KV)	1	1921070000
SAIB-5/9-(KV)	1	1007090000

Other versions on request  
KV = plastic cable gland

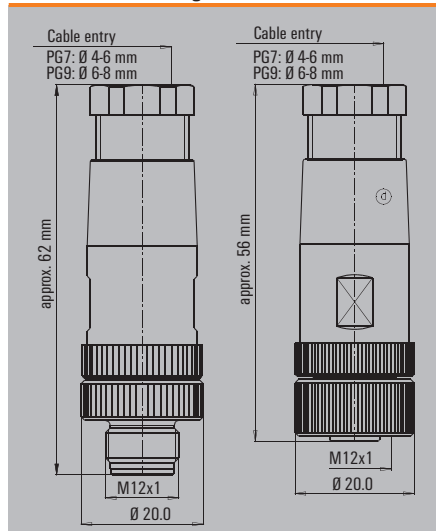
Type	Qty.	Order No.
SAISW-4/7-(KV)	1	1962620000
SAISW-5/7-(KV)	1	1962610000
SAISW-5/9-(KV)	1	1007060000

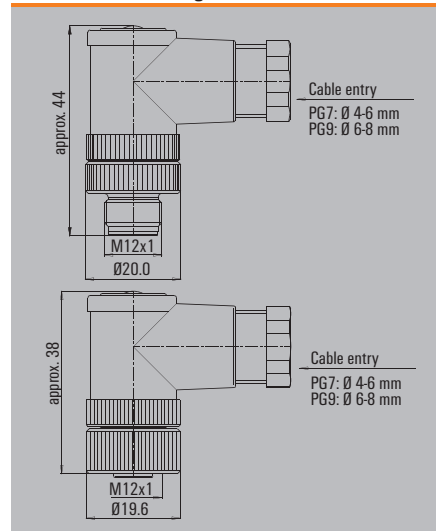
SAIBW-4/7-(KV)	1	1935610000
SAIBW-5/7-(KV)	1	1962630000
SAIBW-5/9-(KV)	1	1007070000

Other versions on request  
KV = plastic cable gland

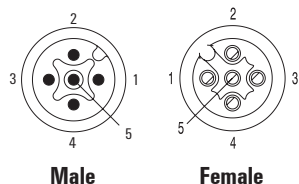
**Dimensioned drawing**



**Dimensioned drawing**



**M12 screw connection  
with shield connection  
A-coded**



**FBCon / SAIS**

Straight



**SAISW / SAIBW**

Angled



**Ordering data**

Male	
	4-pole. PG 9
	5-pole. PG 9
Female	
	4-pole. PG 9
	5-pole. PG 7
	5-pole. PG 9
Note	

Type	Qty.	Order No.
FBCON M12 4P M EMC	1	9455640000
SAIS-M-5/8S M12 5P A-COD	1	1784740000
Other versions on request		

Type	Qty.	Order No.
SAISW-M-4/8 M12	1	1803930000
SAISW-M-5/8 M12	1	1803940000
Other versions on request		

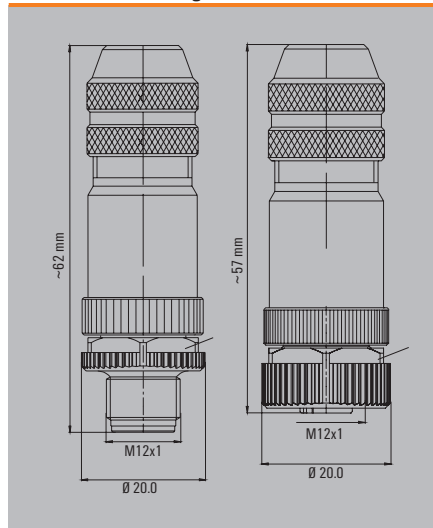
**Technical data**

Type of connection
Threaded ring material
Housing main material
Connection thread
Cable diameter
Wire cross-section, min. / max.
Rated current
Rated voltage
Temperature range of housing
Protection degree
Contact surface
Approvals
Note

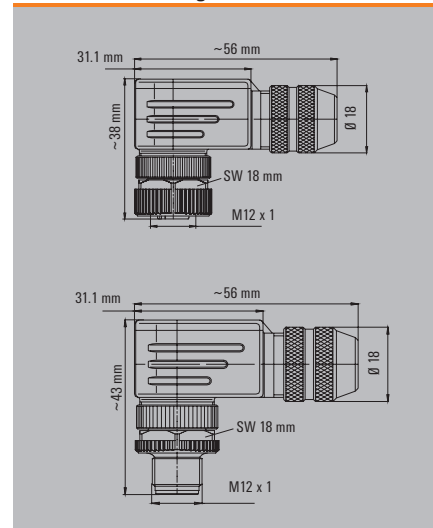
Screw connection
Diecast zinc
CuZn
M12
4...6 mm (PG7) / 6...8 mm (PG9)
0.14...0.75 mm <sup>2</sup>
4 A
250 V (4-pole) / 60 V (5-pole)
-40 ... +85 °C
IP67
Gold-plated
CE; cURus
Note

Screw connection
Diecast zinc
CuZn
M12
6...8 mm (PG9)
0.14...0.75 mm <sup>2</sup>
4 A
250 V (4-pole) / 60 V (5-pole)
-40 ... +85 °C
IP67
Gold-plated
CE; cURus
Note

**Dimensioned drawing**



**Dimensioned drawing**



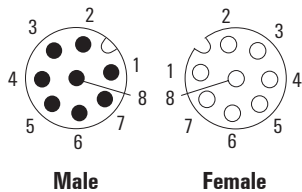
Customisable connectors

M12 screw connection with shield connection  
A-coded



SAISM / SAISB 8/11

Straight



Male

Female

Ordering data

Male	
	8-pole. PG 9
	8-pole. PG 7
	8-pole. PG 11
Female	
	8-pole. PG 9
	8-pole. PG 7
	8-pole. PG 11
Note	

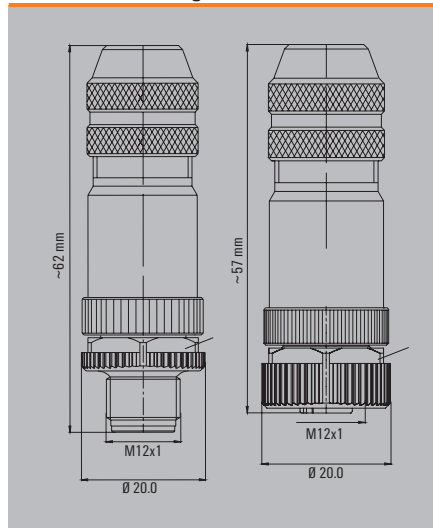
Type	Qty.	Order No.
SAISM-8/9S-M12	1	1258940000
SAISM-8/7S-M12	1	1423530000
SAISM-8/11S-M12	1	1118910000
SAIBM-8/9S-M12	1	1258930000
SAIBM-8/7S-M12	1	1423540000
SAIBM-8/11S-M12	1	1118920000
Note		

Technical data

Type of connection	Screw connection
Threaded ring material	Diecast zinc
Housing main material	CuZn
Connection thread	M12
Cable diameter	4...6 mm (PG7), 6...8 mm (PG9), 8...10 mm (PG11)
Wire cross-section, min. / max.	0.14...0.5 mm <sup>2</sup>
Rated current	2 A
Rated voltage	30 V
Temperature range of housing	-40 ... +85 °C
Protection degree	IP67
Contact surface	Gold-plated
Approvals	CE, cURus
Note	

Type of connection	Screw connection
Threaded ring material	Diecast zinc
Housing main material	CuZn
Connection thread	M12
Cable diameter	4...6 mm (PG7), 6...8 mm (PG9), 8...10 mm (PG11)
Wire cross-section, min. / max.	0.14...0.5 mm <sup>2</sup>
Rated current	2 A
Rated voltage	30 V
Temperature range of housing	-40 ... +85 °C
Protection degree	IP67
Contact surface	Gold-plated
Approvals	CE, cURus
Note	

Dimensioned drawing



**M12 screw connection  
with shield connection  
B-coded**



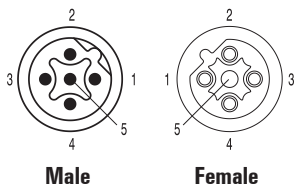
**SAISM / SAIBM**

Straight



**SAISW / SAIBW**

Angled



**Ordering data**

<b>Male</b>	5-pole, PG 9
<b>Female</b>	5-pole, PG 9
<b>Note</b>	

Type	Qty.	Order No.
SAISM 5/8S M12 5P B-COD	1	1784790000
SAIBM 5/8S M12 5P B-COD	1	1784780000

Type	Qty.	Order No.
SAISW-M-5/8 M12 B-COD	1	1944570000
SAIBW-M-5/8 M12 B-COD	1	1944580000

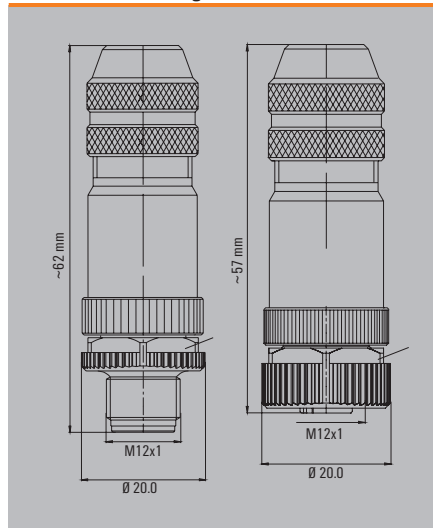
**Technical data**

Type of connection
Threaded ring material
Housing main material
Connection thread
Cable diameter
Wire cross-section, min. / max.
Rated current
Rated voltage
Temperature range of housing
Protection degree
Contact surface
Approvals
<b>Note</b>

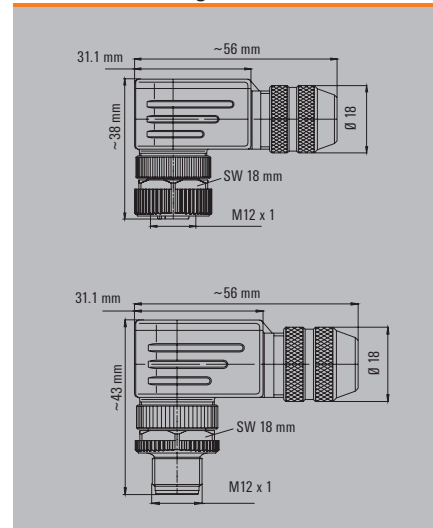
Screw connection
Diecast zinc
CuZn
M12
6...8 mm (PG9)
0.14...0.75 mm <sup>2</sup>
4 A
60 V
-40 ... +85 °C
IP67
Gold-plated
CE; cURus

Screw connection
Diecast zinc
CuZn
M12
6...8 mm (PG9)
0.14...0.75 mm <sup>2</sup>
4 A
60 V
-40 ... +85 °C
IP67
Gold-plated
CE; cURus

**Dimensioned drawing**



**Dimensioned drawing**

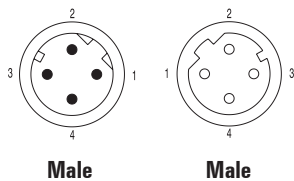


Screw connection M12 with shield connection D-coded



SAISM / SAIBM

Straight



Male

Male

Ordering data

Male	4-pole. PG 9
Female	4-pole. PG 9
Note	

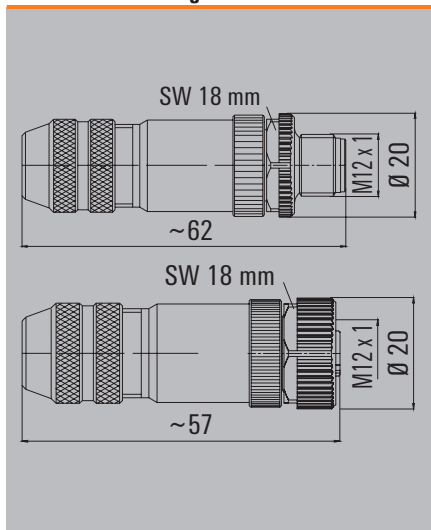
Type	Qty.	Order No.
SAISM-4/8S-M12-4P D-COD	1	1892120000
SAIBM-4/8S-M12-4P D-COD	1	1892130000

Technical data

Type of connection	Screw connection
Threaded ring material	Diecast zinc
Housing main material	CuZn
Connection thread	M12
Cable diameter	6...8 mm (PG9)
Wire cross-section, min. / max.	0.14...0.75 mm <sup>2</sup>
Rated current	4 A
Rated voltage	250 V
Temperature range of housing	-40 ... +85 °C
Protection degree	IP67
Contact surface	Gold-plated
Approvals	CE; cURus
Note	

Type of connection	Screw connection
Threaded ring material	Diecast zinc
Housing main material	CuZn
Connection thread	M12
Cable diameter	6...8 mm (PG9)
Wire cross-section, min. / max.	0.14...0.75 mm <sup>2</sup>
Rated current	4 A
Rated voltage	250 V
Temperature range of housing	-40 ... +85 °C
Protection degree	IP67
Contact surface	Gold-plated
Approvals	CE; cURus
Note	

Dimensioned drawing

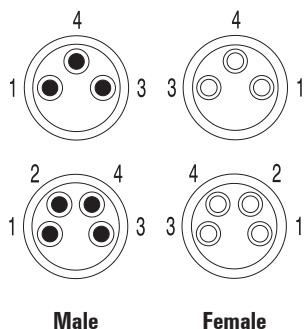


M8 screw connection



SAIS / SAIB

Straight



Ordering data

Male	
	3-pole
	4-pole
Female	
	3-pole
	4-pole
Note	

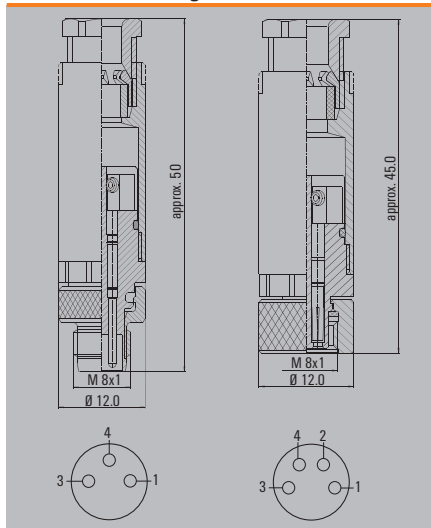
Type	Qty.	Order No.
SAIS-M8-3P	1	1803860000
SAIS-M8-4P	1	1803850000
SAIB-M8-3P	1	1803870000
SAIB-M8-4P	1	1803880000
Other versions on request		

Technical data

Type of connection	Screw connection
Threaded ring material	Diecast zinc
Housing main material	PA
Connection thread	M8
Cable diameter	3.5...5 mm
Wire cross-section, min. / max.	0.14...0.5 mm <sup>2</sup>
Rated current	4 A
Rated voltage	60 V
Temperature range of housing	-40 ... +85 °C
Protection degree	IP67
Contact surface	Gold-plated
Approvals	CE; cULus
Note	

Type of connection	Screw connection
Threaded ring material	Diecast zinc
Housing main material	PA
Connection thread	M8
Cable diameter	3.5...5 mm
Wire cross-section, min. / max.	0.14...0.5 mm <sup>2</sup>
Rated current	4 A
Rated voltage	60 V
Temperature range of housing	-40 ... +85 °C
Protection degree	IP67
Contact surface	Gold-plated
Approvals	CE; cULus
Note	

Dimensioned drawing

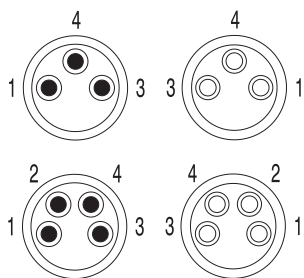


Customisable connectors

M8 screw connection with shield connection



SAISM / SAIBM



Male

Female



Ordering data

Male	
	3-pole
	4-pole
Female	
	3-pole
	4-pole
Note	

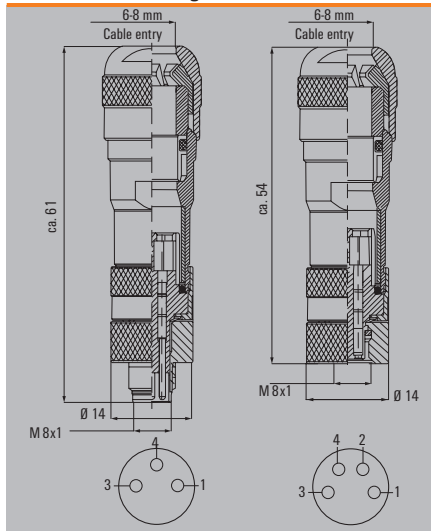
Type	Qty.	Order No.
SAISM-3/9S-M8	1	1467550000
SAISM-4/9S-M8	1	1467570000
SAIBM-3/9S-M8	1	1467560000
SAIBM-4/9S-M8	1	1467580000
Note		

Technical data

Type of connection	Screw connection
Threaded ring material	Diecast zinc
Housing main material	CuZn
Connection thread	M8
Cable diameter	6...8 mm
Wire cross-section, min. / max.	0.14...0.5 mm <sup>2</sup>
Rated current	4 A
Rated voltage	60 V
Temperature range of housing	-40 ... +85 °C
Protection degree	IP67
Contact surface	Gold-plated
Approvals	CE; cULus
Note	

Type of connection	Screw connection
Threaded ring material	Diecast zinc
Housing main material	CuZn
Connection thread	M8
Cable diameter	6...8 mm
Wire cross-section, min. / max.	0.14...0.5 mm <sup>2</sup>
Rated current	4 A
Rated voltage	60 V
Temperature range of housing	-40 ... +85 °C
Protection degree	IP67
Contact surface	Gold-plated
Approvals	CE; cULus
Note	

Dimensioned drawing



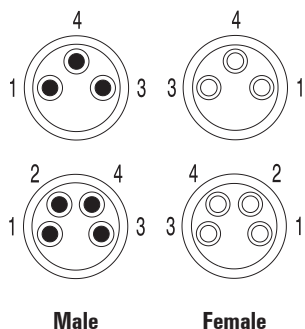


M8 screw connection  
with shield connection



SAISM / SAIBM

Straight



Ordering data

Male	
	3-pole
	4-pole
Female	
	3-pole
	4-pole
Note	

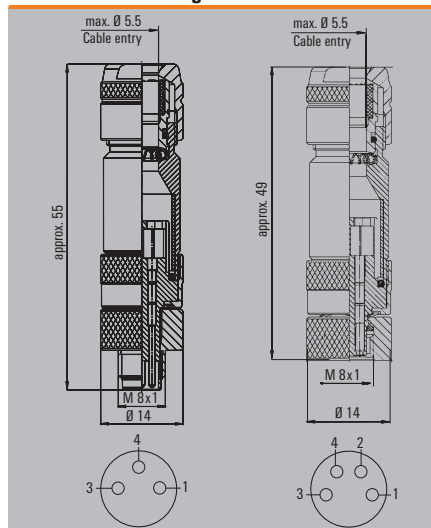
Type	Qty.	Order No.
SAISM-M8-3P-(IF)	1	1010060000
SAISM-M8-4P-(IF)	1	1010070000
SAIBM-M8-3P-(IF)	1	1010080000
SAIBM-M8-4P-(IF)	1	1010090000
IF - iris-type spring		

Technical data

Type of connection	Screw connection
Threaded ring material	Diecast zinc
Housing main material	CuZn
Connection thread	M8
Cable diameter	3.5...5.5 mm
Wire cross-section, min. / max.	0.14...0.5 mm <sup>2</sup>
Rated current	4 A
Rated voltage	60 V
Temperature range of housing	-40 ... +85 °C
Protection degree	IP67
Contact surface	Gold-plated
Approvals	CE; cULus
Note	

Type of connection	Screw connection
Threaded ring material	Diecast zinc
Housing main material	CuZn
Connection thread	M8
Cable diameter	3.5...5.5 mm
Wire cross-section, min. / max.	0.14...0.5 mm <sup>2</sup>
Rated current	4 A
Rated voltage	60 V
Temperature range of housing	-40 ... +85 °C
Protection degree	IP67
Contact surface	Gold-plated
Approvals	CE; cULus
Note	

Dimensioned drawing



**PUSH IN M12**  
**A coded**



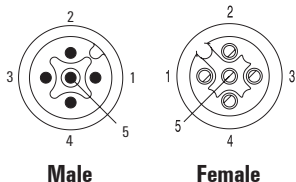
**SAISP / SAIBP**

Straight



**SAISWP / SAIBWP**

Angled



Male

Female

**Ordering data**

Male	
	4-pole
	5-pole
Female	
	4-pole
	5-pole
Note	

Type	Qty.	Order No.
SAISP-4A-4/8-M12	1	2681480000
SAISP-5A-4/8-M12	1	2681560000
SAIBP-4A-4/8-M12	1	2681500000
SAIBP-5A-4/8-M12	1	2681580000
Other versions on request		

Type	Qty.	Order No.
SAISWP-4A-4/8-M12	1	2681490000
SAISWP-5A-4/8-M12	1	2681570000
SAIBWP-4A-4/8-M12	1	2681510000
SAIBWP-5A-4/8-M12	1	2681590000
Other versions on request		

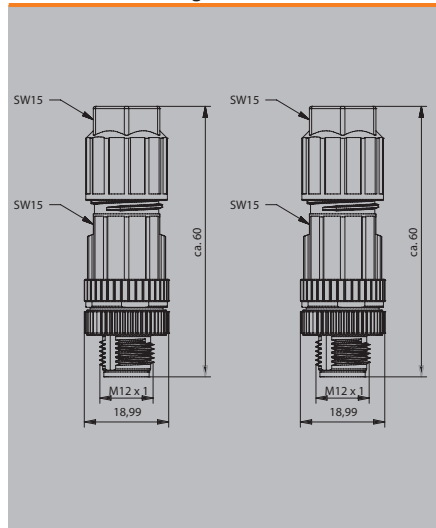
**Technical data**

Type of connection	PUSH IN
Threaded ring material	Diecast zinc
Housing main material	PA 66
Connection thread	M12
Cable diameter	4...8 mm
Wire cross-section, min. / max.	0.14...0.75 mm <sup>2</sup>
Rated current	4 A
Rated voltage	250 V (4-pole) / 60 V (5-pole)
Temperature range of housing	-40 ... +85 °C
Protection degree	IP67
Contact surface	Ni/Au
Fire safety for railway vehicles	DIN EN 45545-2
Shock and vibration proof according to	EN 50155:2001
Approvals	CE; cULus
Note	

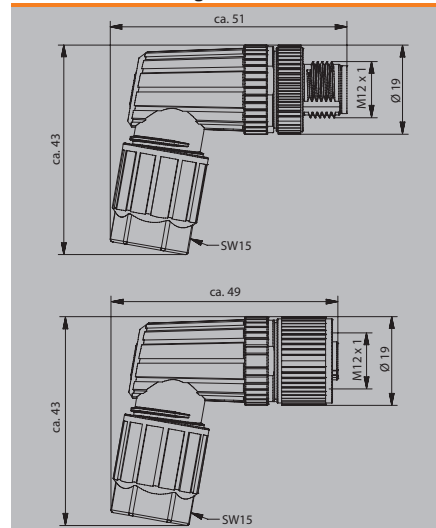
Type of connection	PUSH IN
Threaded ring material	Diecast zinc
Housing main material	PA 66
Connection thread	M12
Cable diameter	4...8 mm
Wire cross-section, min. / max.	0.14...0.75 mm <sup>2</sup>
Rated current	4 A
Rated voltage	250 V (4-pole) / 60 V (5-pole)
Temperature range of housing	-40 ... +85 °C
Protection degree	IP67
Contact surface	Ni/Au
Fire safety for railway vehicles	DIN EN 45545-2
Shock and vibration proof according to	EN 50155:2001
Approvals	CE; cULus
Note	

Type of connection	PUSH IN
Threaded ring material	Diecast zinc
Housing main material	PA 66
Connection thread	M12
Cable diameter	4...8 mm
Wire cross-section, min. / max.	0.14...0.75 mm <sup>2</sup>
Rated current	4 A
Rated voltage	250 V (4-pole) / 60 V (5-pole)
Temperature range of housing	-40 ... +85 °C
Protection degree	IP67
Contact surface	Ni/Au
Fire safety for railway vehicles	DIN EN 45545-2
Shock and vibration proof according to	EN 50155:2001
Approvals	CE; cULus
Note	

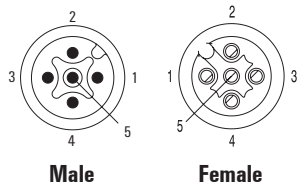
**Dimensioned drawing**



**Dimensioned drawing**



**PUSH IN M12  
with shield connection  
A coded**



**SAISP-M / SAIBP-M**

Straight



**SAISWP-M / SAIBWP-M**

Angled



**Ordering data**

Male	
	4-pole
	5-pole
Female	
	4-pole
	5-pole
Note	

Type	Qty.	Order No.
SAISP-M-4A-4/8-M12	1	2681520000
SAISP-M-5A-4/8-M12	1	2681600000
SAIBP-M-4A-4/8-M12	1	2681540000
SAIBP-M-5A-4/8-M12	1	2681620000
Other versions on request		

Type	Qty.	Order No.
SAISWP-M-4A-4/8-M12	1	2681530000
SAISWP-M-5A-4/8-M12	1	2681610000
SAIBWP-M-4A-4/8-M12	1	2681550000
SAIBWP-M-5A-4/8-M12	1	2681630000
Other versions on request		

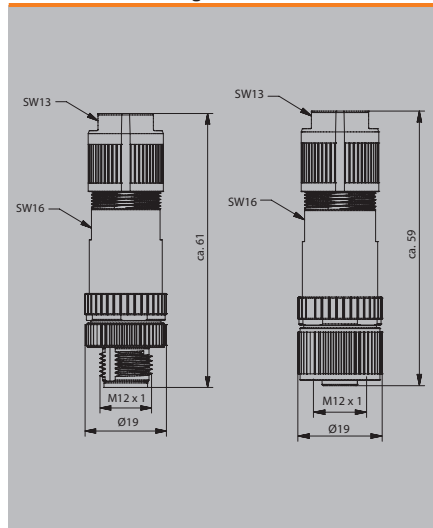
**Technical data**

Type of connection	PUSH IN
Threaded ring material	Diecast zinc
Housing main material	PA 66
Connection thread	M12
Cable diameter	4...8 mm
Wire cross-section, min. / max.	0.14...0.75 mm <sup>2</sup>
Rated current	4 A
Rated voltage	250 V (4-pole) / 60 V (5-pole)
Temperature range of housing	-40 ... +85 °C
Protection degree	IP67
Contact surface	Ni/Au
Fire safety for railway vehicles	DIN EN 45545-2
Shock and vibration proof according to	EN 50155:2001
Approvals	cULus
Note	

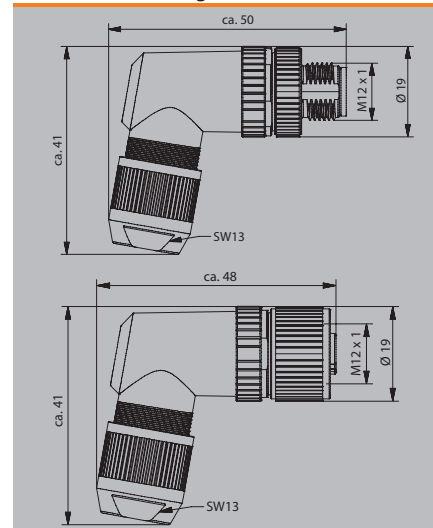
Type of connection	PUSH IN
Threaded ring material	Diecast zinc
Housing main material	PA 66
Connection thread	M12
Cable diameter	4...8 mm
Wire cross-section, min. / max.	0.14...0.75 mm <sup>2</sup>
Rated current	4 A
Rated voltage	250 V (4-pole) / 60 V (5-pole)
Temperature range of housing	-40 ... +85 °C
Protection degree	IP67
Contact surface	Ni/Au
Fire safety for railway vehicles	DIN EN 45545-2
Shock and vibration proof according to	EN 50155:2001
Approvals	cULus
Note	

Type of connection	PUSH IN
Threaded ring material	Diecast zinc
Housing main material	PA 66
Connection thread	M12
Cable diameter	4...8 mm
Wire cross-section, min. / max.	0.14...0.75 mm <sup>2</sup>
Rated current	4 A
Rated voltage	250 V (4-pole) / 60 V (5-pole)
Temperature range of housing	-40 ... +85 °C
Protection degree	IP67
Contact surface	Ni/Au
Fire safety for railway vehicles	DIN EN 45545-2
Shock and vibration proof according to	EN 50155:2001
Approvals	cULus
Note	

**Dimensioned drawing**

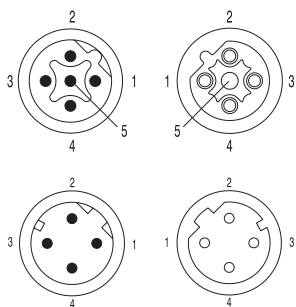


**Dimensioned drawing**



**Customisable connectors**

**PUSH IN M12  
with shield connection  
B coded  
D coded**



**Male**

**Female**

**Ordering data**

Male	
	D-coded, 4-pole
	B-coded, 5-pole
Female	
	D-coded, 4-pole
	B-coded, 5-pole
Note	

**Technical data**

Type of connection	PUSH IN
Threaded ring material	Diecast zinc
Housing main material	PA 66
Connection thread	M12
Cable diameter	4...8 mm
Wire cross-section, min. / max.	0.14...0.75 mm <sup>2</sup>
Rated current	4 A
Rated voltage	250 V (4-pole) / 60 V (5-pole)
Temperature range of housing	-40 ... +85 °C
Protection degree	IP67
Contact surface	Ni/Au
Fire safety for railway vehicles	DIN EN 45545-2
Shock and vibration proof according to	EN 50155:2001
Approvals	cULus
Note	

**SAISP / SAIBP**

Straight



**SAISWP / SAIBWP**

Angled



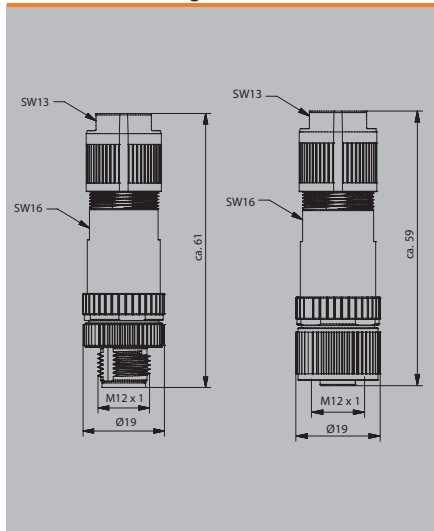
Type	Qty.	Order No.
SAISP-M-4D-4/8-M12	1	2681680000
SAISP-M-5B-4/8-M12	1	2681640000
SAIBP-M-4D-4/8-M12	1	2681700000
SAIBP-M-5B-4/8-M12	1	2681660000
Other versions on request		

Type	Qty.	Order No.
SAISWP-M-4D-4/8-M12	1	2681690000
SAISWP-M-5B-4/8-M12	1	2681650000
SAIBWP-M-4D-4/8-M12	1	2681710000
SAIBWP-M-5B-4/8-M12	1	2681670000
Other versions on request		

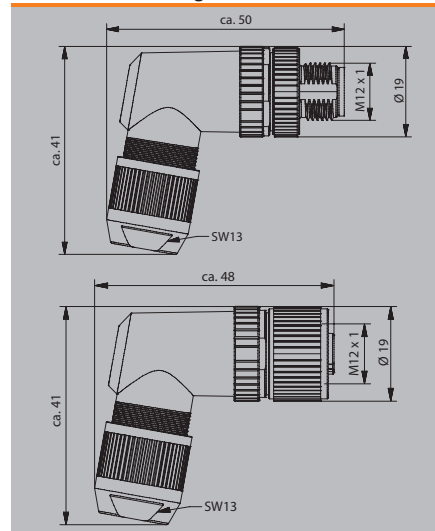
Type of connection	PUSH IN
Threaded ring material	Diecast zinc
Housing main material	PA 66
Connection thread	M12
Cable diameter	4...8 mm
Wire cross-section, min. / max.	0.14...0.75 mm <sup>2</sup>
Rated current	4 A
Rated voltage	250 V (4-pole) / 60 V (5-pole)
Temperature range of housing	-40 ... +85 °C
Protection degree	IP67
Contact surface	Ni/Au
Fire safety for railway vehicles	DIN EN 45545-2
Shock and vibration proof according to	EN 50155:2001
Approvals	cULus
Note	

Type of connection	PUSH IN
Threaded ring material	Diecast zinc
Housing main material	PA 66
Connection thread	M12
Cable diameter	4...8 mm
Wire cross-section, min. / max.	0.14...0.75 mm <sup>2</sup>
Rated current	4 A
Rated voltage	250 V (4-pole) / 60 V (5-pole)
Temperature range of housing	-40 ... +85 °C
Protection degree	IP67
Contact surface	Ni/Au
Fire safety for railway vehicles	DIN EN 45545-2
Shock and vibration proof according to	EN 50155:2001
Approvals	cULus
Note	

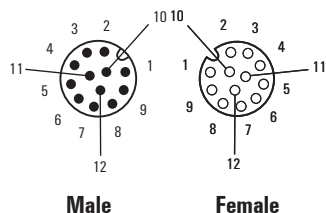
**Dimensioned drawing**



**Dimensioned drawing**



**M12 solder connection**  
**A-coded**



**SAIS / SAIB**

Straight



**SAIBW**

Angled



**Ordering data**

Male	Female
12-pole. PG 9	12-pole. PG 9
<b>Note</b>	

Type	Qty.	Order No.
SAIS-12/9-(TL)	1	1924950000
SAIB-12/9-(TL)	1	1924960000

Type	Qty.	Order No.
SAIBW-12/9-(TL)	1	1925870000

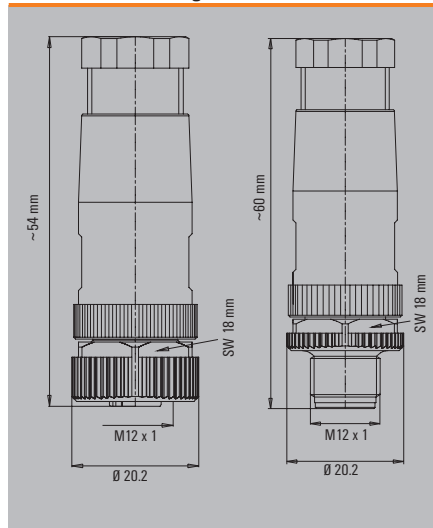
**Technical data**

Type of connection
Threaded ring material
Housing main material
Connection thread
Cable diameter
Wire cross-section, min. / max.
Rated current
Rated voltage
Temperature range of housing
Protection degree
Contact surface
Approvals
<b>Note</b>

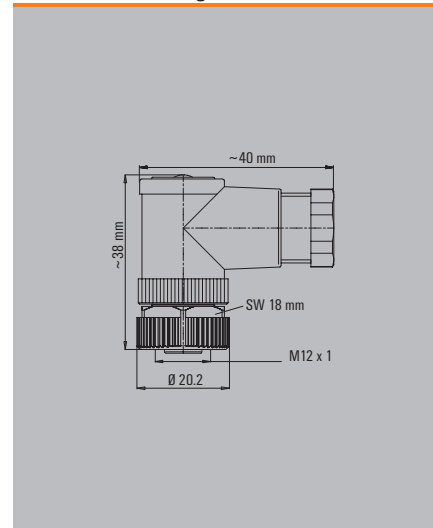
Solder connection
Diecast zinc
PA
M12
6...8 mm (PG9)
0.14...0.25 mm <sup>2</sup>
1.5 A
30 V
-40 ... +85 °C
IP67
Gold-plated
cURus

Solder connection
Diecast zinc
PA
M12
6...8 mm (PG9)
0.14...0.25 mm <sup>2</sup>
1.5 A
30 V
-40 ... +85 °C
IP67
Gold-plated
cURus

**Dimensioned drawing**



**Dimensioned drawing**



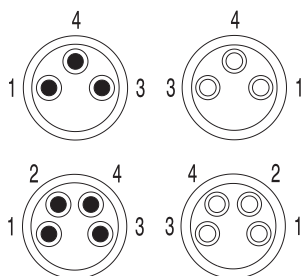
Customisable connectors

Solder connection M8 with shield connection



SAISM / SAIBM

Straight



Male

Female



Ordering data

Male	
	3-pole
	4-pole
Female	
	3-pole
	4-pole
Note	

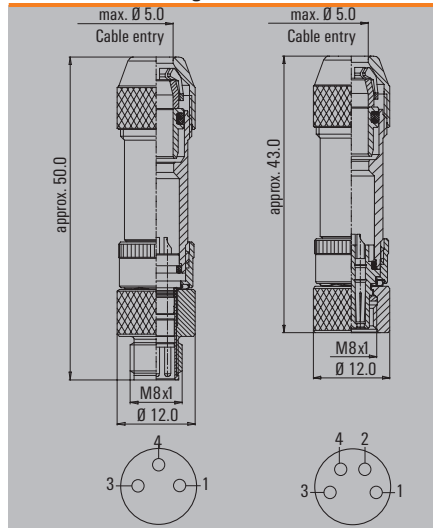
Type	Qty.	Order No.
SAISM-M8-3P(TL)	1	1921030000
SAISM-M8-4P(TL)	1	1921040000
SAIBM-M8-3P(TL)	1	1921010000
SAIBM-M8-4P(TL)	1	1921020000
Note		

Technical data

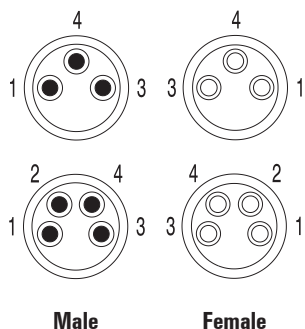
Type of connection	Solder connection
Threaded ring material	Diecast zinc
Housing main material	CuZn
Connection thread	M8
Cable diameter	3.5...5.5 mm
Wire cross-section, min. / max.	0.14...0.25 mm <sup>2</sup>
Rated current	4 A
Rated voltage	60 V
Temperature range of housing	-40 ... +85 °C
Protection degree	IP67
Contact surface	Gold-plated
Approvals	CE, cULus
Note	

Type of connection	Solder connection
Threaded ring material	Diecast zinc
Housing main material	CuZn
Connection thread	M8
Cable diameter	3.5...5.5 mm
Wire cross-section, min. / max.	0.14...0.25 mm <sup>2</sup>
Rated current	4 A
Rated voltage	60 V
Temperature range of housing	-40 ... +85 °C
Protection degree	IP67
Contact surface	Gold-plated
Approvals	CE, cULus
Note	

Dimensioned drawing



Solder connection M8



SAIS/SAIB

Straight



SAISW / SAIBW

Angled



Ordering data

Male	
	3-pole
	4-pole
Female	
	3-pole
	4-pole
Note	

Type	Qty.	Order No.
SAIS-M8-3P TL	1	2511680000
SAIS-M8-4P TL	1	2511700000
SAIB-M8-3P TL	1	2511710000
SAIB-M8-4P TL	1	2511720000

Type	Qty.	Order No.
SAISW-M8-3P(TL)	1	1920990000
SAISW-M8-4P(TL)	1	1921000000
SAIBW-M8-3P(TL)	1	1920970000
SAIBW-M8-4P(TL)	1	1920980000

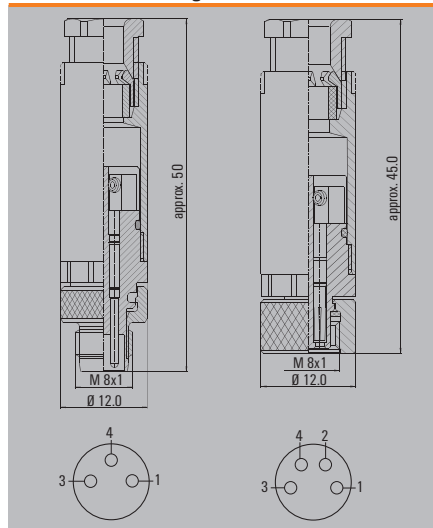
Technical data

Type of connection	Solder connection
Threaded ring material	Diecast zinc
Housing main material	PA
Connection thread	M8
Cable diameter	3.5...5 mm
Wire cross-section, min. / max.	0.25...0.25 mm <sup>2</sup>
Rated current	4 A
Rated voltage	60 V
Temperature range of housing	-40 ... +85 °C
Protection degree	IP67
Contact surface	Gold-plated
Approvals	CE
Note	

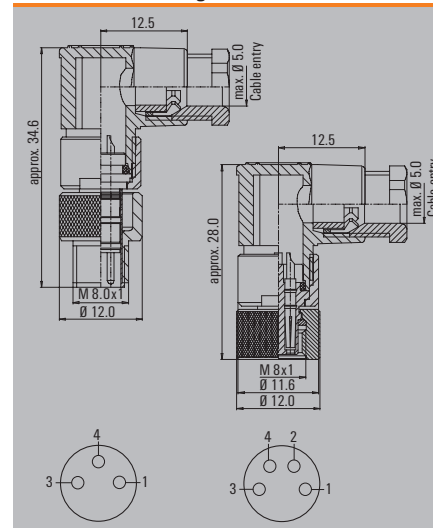
Type of connection	Solder connection
Threaded ring material	Diecast zinc
Housing main material	PA
Connection thread	M8
Cable diameter	3.5...5 mm
Wire cross-section, min. / max.	0.25...0.25 mm <sup>2</sup>
Rated current	4 A
Rated voltage	60 V
Temperature range of housing	-40 ... +85 °C
Protection degree	IP67
Contact surface	Gold-plated
Approvals	CE; cULus
Note	

Type of connection	Solder connection
Threaded ring material	Diecast zinc
Housing main material	PA
Connection thread	M8
Cable diameter	3.5...5 mm
Wire cross-section, min. / max.	0.25...0.25 mm <sup>2</sup>
Rated current	4 A
Rated voltage	60 V
Temperature range of housing	-40 ... +85 °C
Protection degree	IP67
Contact surface	Gold-plated
Approvals	CE; cULus
Note	

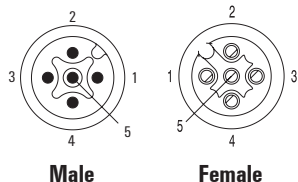
Dimensioned drawing



Dimensioned drawing



Tension clamp connection M12  
A-coded



SAIS-ZF

Straight



SAIBW-ZF

Angled



Ordering data

Male	
	5-pole, PG 7
	5-pole, PG 9
Female	
	5-pole, PG 7
	5-pole, PG 9
Note	

Type	Qty.	Order No.
SAIS-5/7-ZF	1	1906390000
SAIS-5/9-ZF	1	1044700000
SAIB-5/7-ZF	1	1924970000
SAIB-5/9-ZF	1	1044710000

Type	Qty.	Order No.
SAIBW-5/7-ZF	1	1365580000

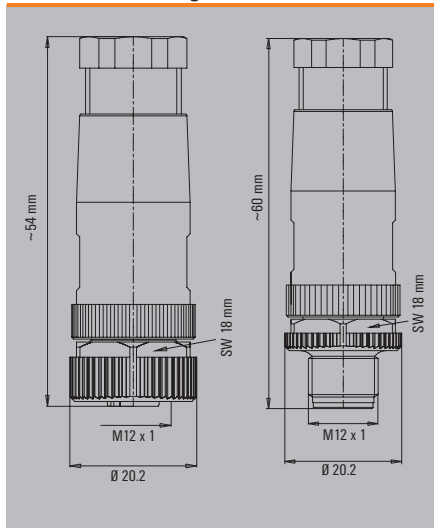
Technical data

Type of connection	Tension-clamp connection
Threaded ring material	Diecast zinc
Housing main material	PA
Connection thread	M12
Cable diameter	4...6 mm (PG7)/ 6...8 mm (PG9)
Wire cross-section, min. / max.	0.25...0.5 mm <sup>2</sup>
Rated current	4 A
Rated voltage	60 V
Temperature range of housing	-40 ... +85 °C
Protection degree	IP67
Contact surface	Gold-plated
Approvals	CE
Note	

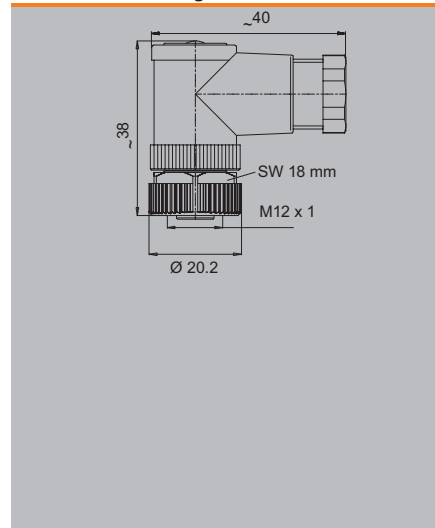
Type of connection	Tension-clamp connection
Threaded ring material	Diecast zinc
Housing main material	PA
Connection thread	M12
Cable diameter	4...6 mm (PG7)
Wire cross-section, min. / max.	0.25...0.5 mm <sup>2</sup>
Rated current	4 A
Rated voltage	60 V
Temperature range of housing	-40 ... +85 °C
Protection degree	IP67
Contact surface	Gold-plated
Approvals	CE
Note	

Type of connection	Tension-clamp connection
Threaded ring material	Diecast zinc
Housing main material	PA
Connection thread	M12
Cable diameter	4...6 mm (PG7)
Wire cross-section, min. / max.	0.25...0.5 mm <sup>2</sup>
Rated current	4 A
Rated voltage	60 V
Temperature range of housing	-40 ... +85 °C
Protection degree	IP67
Contact surface	Gold-plated
Approvals	CE
Note	

Dimensioned drawing



Dimensioned drawing



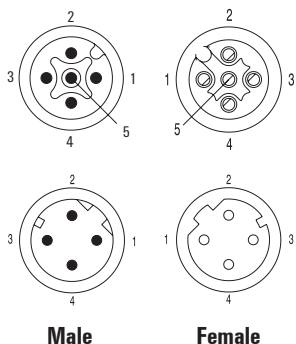


**M12 tension-clamp connection**  
**Stainless steel**  
**with shield connection**



**SAIS / SAIB VA**

Straight



**Ordering data**

Male	
	5-pole, PG 9
	A-coded, 5-pole, PG 9
	D-coded, 4-pole, PG 9
Female	
	5-pole, PG 9
	A-coded, 5-pole, PG 9
Note	

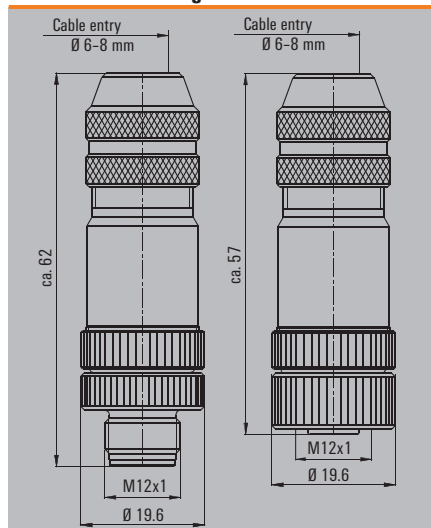
Type	Qty.	Order No.
SAIS 5/9-VA-B-COD	1	1920720000
SAIS 5/9-VA	1	1920700000
SAIS 4/9-VA D-COD	1	1920700001
SAIB 5/9-VA-B-COD	1	1920730000
SAIB 5/9-VA	1	1920710000

**Technical data**

Type of connection
Threaded ring material
Housing main material
Connection thread
Cable diameter
Wire cross-section, min. / max.
Rated current
Rated voltage
Temperature range of housing
Protection degree
Contact surface
Approvals
Note

Tension-clamp connection
Stainless steel, rust-proof
1.4404/316L
M12
6.8 mm (PG9)
0.25...0.5 mm <sup>2</sup>
4 A
250 V (4-pole) / 60 V (5-pole)
-40 ... +85 °C
IP69K
Gold-plated
CE

**Dimensioned drawing**



M12 plug,  
Tension-clamp connection,  
D-coded



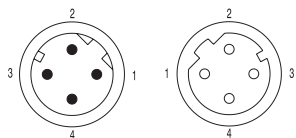
SAISM / SAIBM

Straight



SAISW / SAIBW

angled



Male

Male

Ordering data

Male	4-pole. PG 9
Female	4-pole. PG 9
Note	

Type	Qty.	Order No.
SAISM-4/8S-M12 4P D-ZF	1	1892120001
SAIBM-4/8S-M12 4P D-ZF	1	1892130001

Type	Qty.	Order No.
SAISW-4/8S-M12 4P D-ZF	1	1803930001
SAIBW-4/8S-M12 4P D-ZF	1	1139330000

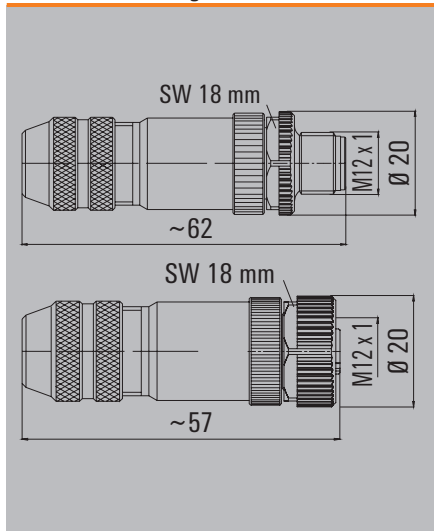
Technical data

Type of connection	Tension-clamp connection
Threaded ring material	Diecast zinc
Housing main material	CuZn
Connection thread	M12
Cable diameter	6...8 mm (PG9)
Wire cross-section, min. / max.	0.25...0.5 mm <sup>2</sup>
Rated current	4 A
Rated voltage	60 V
Temperature range of housing	-40 ... +85 °C
Protection degree	IP67
Contact surface	Gold-plated
Approvals	CE
Note	

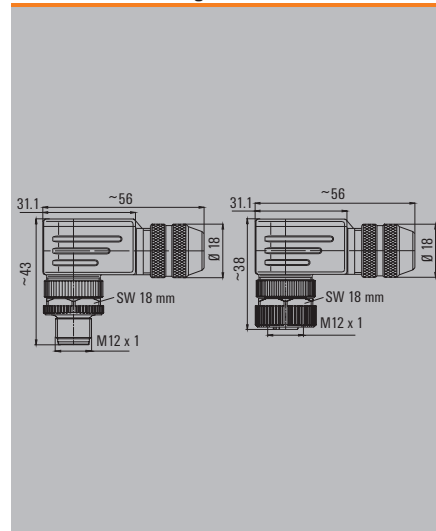
Type of connection	Tension-clamp connection
Threaded ring material	Diecast zinc
Housing main material	CuZn
Connection thread	M12
Cable diameter	6...8 mm (PG9)
Wire cross-section, min. / max.	0.25...0.5 mm <sup>2</sup>
Rated current	4 A
Rated voltage	60 V
Temperature range of housing	-40 ... +85 °C
Protection degree	IP67
Contact surface	Gold-plated
Approvals	CE
Note	

Type of connection	Tension-clamp connection
Threaded ring material	Diecast zinc
Housing main material	CuZn
Connection thread	M12
Cable diameter	6...8 mm (PG9)
Wire cross-section, min. / max.	0.25...0.5 mm <sup>2</sup>
Rated current	4 A
Rated voltage	60 V
Temperature range of housing	-40 ... +85 °C
Protection degree	IP67
Contact surface	Gold-plated
Approvals	CE
Note	

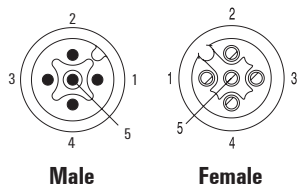
Dimensioned drawing



Dimensioned drawing



Insulation-displacement connection  
M12  
A-coded



SAIS IDC / SAIB IDC

Straight



SAIS IDC / SAIB IDC

Straight



Ordering data

Male	4-pole
Female	4-pole
Note	

Type	Qty.	Order No.
SAIS-4-IDC M12 SMALL	1	1781550001
SAIB-4-IDC-M12 SMALL	1	1781540001
Other versions on request		

Type	Qty.	Order No.
SAIS-4-IDC M12	1	1781550000
SAIB-4-IDC M12	1	1781540000
Other versions on request		

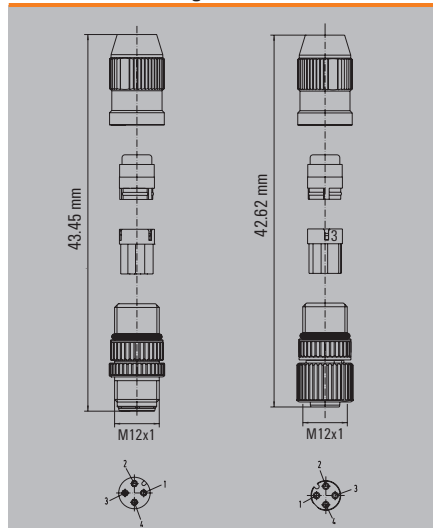
Technical data

Type of connection	Insulation displacement connection
Threaded ring material	Diecast zinc
Housing main material	CuZn
Connection thread	M12
Cable diameter	2.9 - 5.1 mm
Wire cross-section, min. / max.	0.14...0.34 mm <sup>2</sup>
Rated current	4 A
Rated voltage	32 V
Temperature range of housing	-25...+85 °C
Protection degree	IP67
Contact surface	tinned
Approvals	
Note	

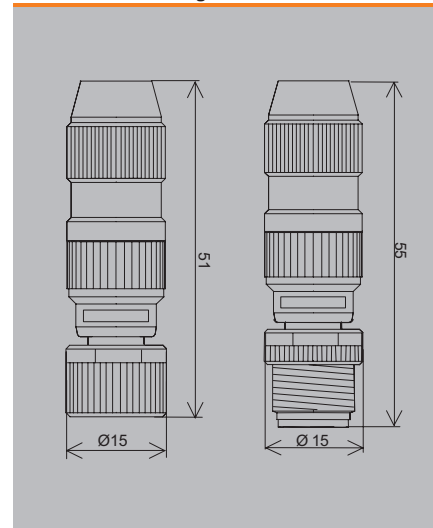
Type of connection	Insulation displacement connection
Threaded ring material	Diecast zinc
Housing main material	CuZn
Connection thread	M12
Cable diameter	4...5.1 mm
Wire cross-section, min. / max.	0.25...0.5 mm <sup>2</sup>
Rated current	4 A
Rated voltage	32 V
Temperature range of housing	-25...+85 °C
Protection degree	IP67
Contact surface	tinned
Approvals	
Note	

Type of connection	Insulation displacement connection
Threaded ring material	Diecast zinc
Housing main material	CuZn
Connection thread	M12
Cable diameter	4...5.1 mm
Wire cross-section, min. / max.	0.25...0.5 mm <sup>2</sup>
Rated current	4 A
Rated voltage	32 V
Temperature range of housing	-25...+85 °C
Protection degree	IP67
Contact surface	tinned
Approvals	
Note	

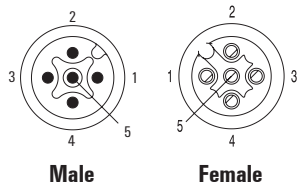
Dimensioned drawing



Dimensioned drawing



Insulation-displacement connection  
M12  
A-coded



Male

Female

Ordering data

Male	
	3-pole
	4-pole
Female	
	3-pole
	4-pole
Note	

Technical data

Type of connection	Insulation displacement connection
Threaded ring material	Diecast zinc
Housing main material	CuZn
Connection thread	M12
Cable diameter	5.5...8 mm
Wire cross-section, min. / max.	0.34...0.75 mm <sup>2</sup>
Rated current	4 A
Rated voltage	32 V
Temperature range of housing	-25...+85 °C
Protection degree	IP67
Contact surface	tinned
Approvals	
Note	

SAIS IDC / SAIB IDC

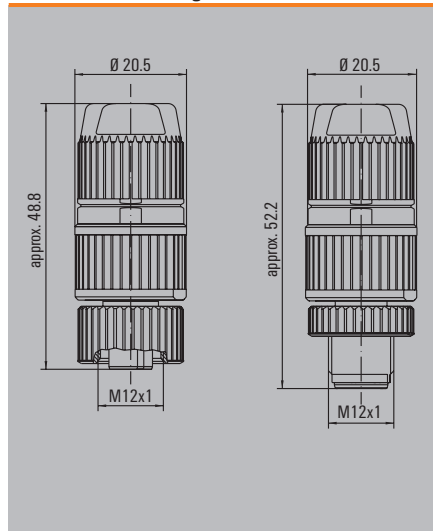
Straight



Type	Qty.	Order No.
SAIS-3-4-5-IDC(0,75)M12	1	1852720000
SAIS-4-IDC (0,75) M12	1	1852740000
SAIB-3-4-5-IDC(0,75)M12	1	1852730000
SAIB-4-IDC (0,75) M12	1	1852750000
Other versions on request 3-pole = assignment only pin 3, 4, 5 possible		

Type of connection	Insulation displacement connection
Threaded ring material	Diecast zinc
Housing main material	CuZn
Connection thread	M12
Cable diameter	5.5...8 mm
Wire cross-section, min. / max.	0.34...0.75 mm <sup>2</sup>
Rated current	4 A
Rated voltage	32 V
Temperature range of housing	-25...+85 °C
Protection degree	IP67
Contact surface	tinned
Approvals	
Note	

Dimensioned drawing



SAISW IDC / SAIBW IDC

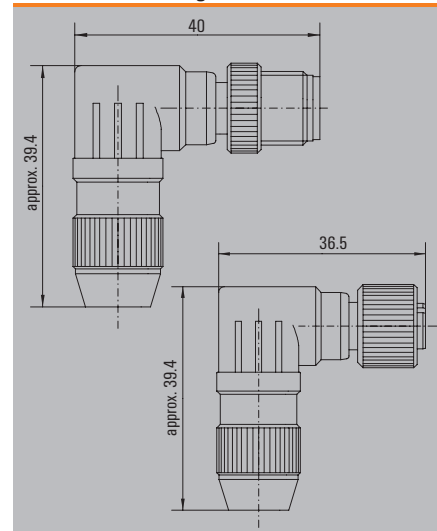
Angled



Type	Qty.	Order No.
SAISW-4-IDC M12	1	1812870000
SAIBW-4-IDC M12	1	1812890000
Other versions on request		

Type of connection	Insulation displacement connection
Threaded ring material	Diecast zinc
Housing main material	CuZn
Connection thread	M12
Cable diameter	4...5.1 mm
Wire cross-section, min. / max.	0.25...0.5 mm <sup>2</sup>
Rated current	4 A
Rated voltage	32 V
Temperature range of housing	-25...+85 °C
Protection degree	IP67
Contact surface	tinned
Approvals	
Note	

Dimensioned drawing

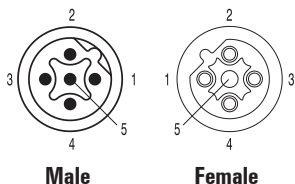


**Insulation-displacement connection  
M12 with shield connection  
B coded**



**SAIS / SAIB**

Straight



**Ordering data**

<b>Male</b>	2-pole. PG 9
<b>Female</b>	2-pole. PG 9
<b>Note</b>	

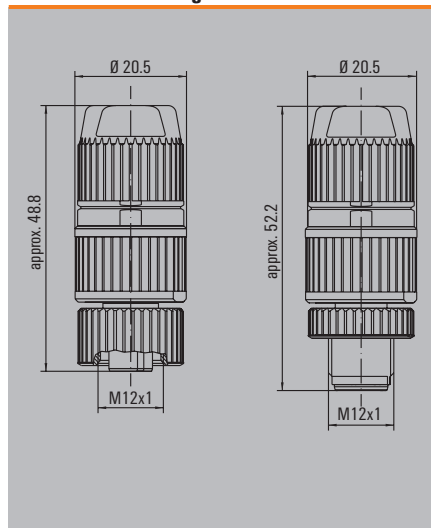
Type	Qty.	Order No.
SAIS-2-IDC-M12B-COD	1	1864730000
SAIB-2-IDC-M12B-COD	1	1864740000
Profibus assignment: Pin 2 + 4		

**Technical data**

Type of connection	Insulation displacement connection
Threaded ring material	Diecast zinc
Housing main material	CuZn
Connection thread	M12
Cable diameter	
Wire cross-section, min. / max.	0.25...0.34 mm <sup>2</sup>
Rated current	4 A
Rated voltage	
Temperature range of housing	-25...+85 °C
Protection degree	IP67
Contact surface	tinned
Approvals	
<b>Note</b>	

Type of connection	Insulation displacement connection
Threaded ring material	Diecast zinc
Housing main material	CuZn
Connection thread	M12
Cable diameter	
Wire cross-section, min. / max.	0.25...0.34 mm <sup>2</sup>
Rated current	4 A
Rated voltage	
Temperature range of housing	-25...+85 °C
Protection degree	IP67
Contact surface	tinned
Approvals	
<b>Note</b>	

**Dimensioned drawing**

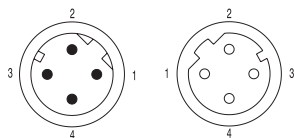


M8, M12 Plug-in connectors and protective caps

C

Customisable connectors

Insulation-displacement connection  
M12 with shield connection  
D-coded



Male

Male

SAIS

Straight



SAIB

Straight



Ordering data

Male	4-pole, wall feed-through
Female	4-pole 4-pole, wall feed-through
Note	

Type	Qty.	Order No.
SAIS-M-4S-IDC-M12-D-COD	1	2544780000

Type	Qty.	Order No.
SAIB-WDF-M-4S-IDC-M12-D-COD	1	2783150000
SAIB-M-4S-IDC-M12-D-COD	1	2812410000

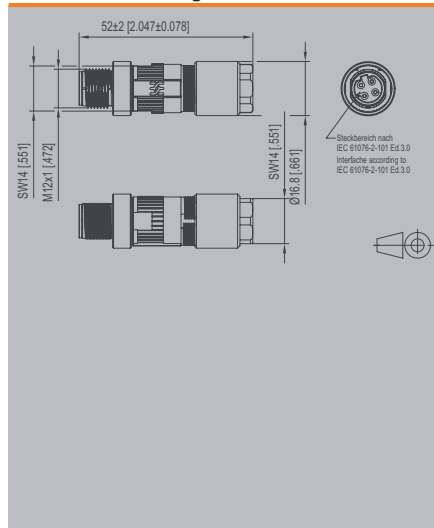
Technical data

Type of connection	Insulation displacement connection
Threaded ring material	Diecast zinc
Housing main material	zinc diecast nickel-plated
Connection thread	M12
Cable diameter	5...9.7 mm
Wire cross-section, min. / max.	0.14...0.34 mm <sup>2</sup>
Rated current	4 A
Rated voltage	60 V
Temperature range of housing	-40 ... +85 °C
Protection degree	IP67
Contact surface	Gold-plated
Approvals	CE
Note	

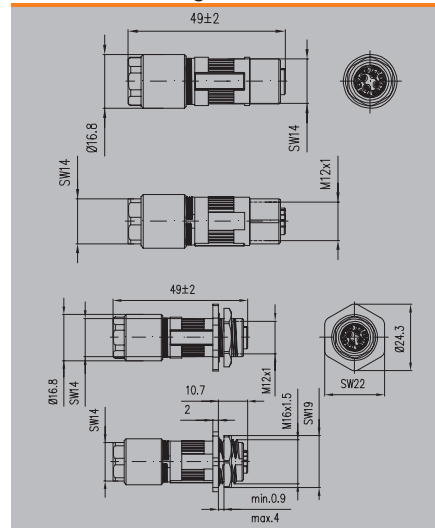
Type of connection	Insulation displacement connection
Threaded ring material	Diecast zinc
Housing main material	zinc diecast nickel-plated
Connection thread	M12
Cable diameter	5...9.7 mm
Wire cross-section, min. / max.	0.14...0.34 mm <sup>2</sup>
Rated current	4 A
Rated voltage	60 V
Temperature range of housing	-40 ... +85 °C
Protection degree	IP67
Contact surface	Gold-plated
Approvals	CE
Note	

Type of connection	Insulation displacement connection
Threaded ring material	Diecast zinc
Housing main material	zinc diecast nickel-plated
Connection thread	M12
Cable diameter	5...9.7 mm
Wire cross-section, min. / max.	0.14...0.34 mm <sup>2</sup>
Rated current	4 A
Rated voltage	60 V
Temperature range of housing	-40 ... +85 °C
Protection degree	IP67
Contact surface	Gold-plated
Approvals	CE
Note	

Dimensioned drawing



Dimensioned drawing



Insulation-displacement connection  
M8



SAIS IDC / SAIB IDC

Straight



Ordering data

Male	
	3-pole
	4-pole
Female	
	3-pole
	4-pole
Note	

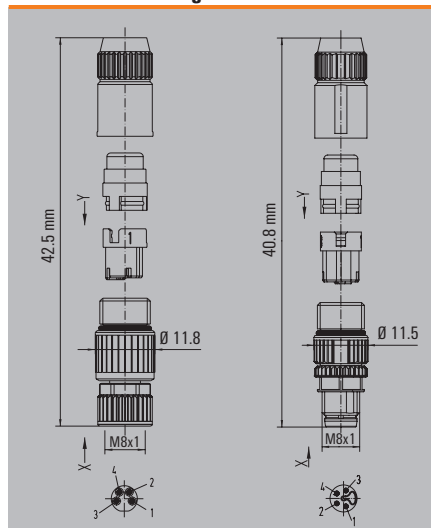
Type	Qty.	Order No.
SAIS-3-IDC M8 SMALL	1	1784040001
SAIS-4-IDC M8 SMALL	1	1784060001
SAIB-3-IDC-M8 SMALL	1	1784030001
SAIB-4-IDC-M8 SMALL	1	1784050001
Other versions on request		

Technical data

Type of connection	Insulation displacement connection
Threaded ring material	Diecast zinc
Housing main material	CuZn
Connection thread	M8
Cable diameter	3.2...5.4 mm
Wire cross-section, min. / max.	0.14...0.34 mm <sup>2</sup>
Rated current	4 A
Rated voltage	32 V
Temperature range of housing	-25...+85 °C
Protection degree	IP67
Contact surface	tinned
Approvals	
Note	

Type of connection	Insulation displacement connection
Threaded ring material	Diecast zinc
Housing main material	CuZn
Connection thread	M8
Cable diameter	3.2...5.4 mm
Wire cross-section, min. / max.	0.14...0.34 mm <sup>2</sup>
Rated current	4 A
Rated voltage	32 V
Temperature range of housing	-25...+85 °C
Protection degree	IP67
Contact surface	tinned
Approvals	
Note	

Dimensioned drawing



**Crimp connection M12 with shield connection A-coded**



**SAISC / SAIBC**

straight



**SAISWC / SAIBWC**

angled



**Ordering data**

<b>Male</b>	5-pole
<b>Female</b>	5-pole
<b>Note</b>	

Type	Qty.	Order No.
SAISC-5-18/28-4/9CG	1	<b>2672410000</b>
SAIBC-5-18/28-4/9CG	1	<b>2664800000</b>
Contacts must be ordered separately		

Type	Qty.	Order No.
SAISWC-5-18/28-4/9CG	1	<b>2672430000</b>
SAIBWC-5-18/28-4/9CG	1	<b>2664830000</b>
Contacts must be ordered separately		

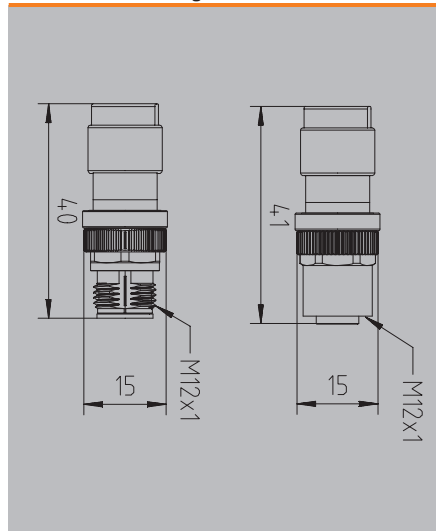
**Technical data**

Type of connection
Threaded ring material
Housing main material
Connection thread
Cable diameter
Wire cross-section, min. / max.
Rated current
Rated voltage
Temperature range of housing
Protection degree
Contact surface
Fire safety for railway vehicles
Shock and vibration proof according to
Approvals
<b>Note</b>

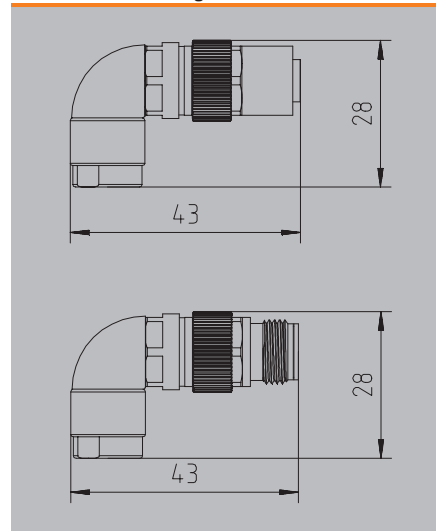
Crimp connection
Brass, nickel-plated
CuZn
M12
4...9 mm
0.08...0.75 mm <sup>2</sup>
4 A
50 V
-40 ... +85 °C
IP67
Gold-plated
According to EN 45545, HL1 - HL3
DIN EN 61373 KAT2 (Bogie), DIN EN 61373 Class 1B**
Crimping tool: SA-TMCSK - 1381690000; Locator: SA-TMC-PD - 1381700000

Crimp connection
Brass, nickel-plated
CuZn
M12
4...9 mm
0.08...0.75 mm <sup>2</sup>
4 A
50 V
-40 ... +85 °C
IP67
Gold-plated
According to EN 45545, HL1 - HL3
DIN EN 61373 KAT2 (Bogie), DIN EN 61373 Class 1B**
Crimping tool: SA-TMCSK - 1381690000; Locator: SA-TMC-PD - 1381700000

**Dimensioned drawing**



**Dimensioned drawing**





**Crimp connection M12 with shield connection D-coded**



**SAISC / SAIBC**

straight



**SAISC / SAIBC**

angled



**Ordering data**

<b>Male</b>	4-pole
<b>Female</b>	4-pole
<b>Note</b>	

Type	Qty.	Order No.
SAISC-D-18/28-4/9CG	1	<b>2664810000</b>
SAIBC-D-18/28-4/9CG	1	<b>2672420000</b>
Contacts must be ordered separately		

Type	Qty.	Order No.
SAISWC-D-18/28-4/9CG	1	<b>2702690000</b>
SAIBWC-D-18/28-4/9CG	1	<b>2702700000</b>
Contacts must be ordered separately		

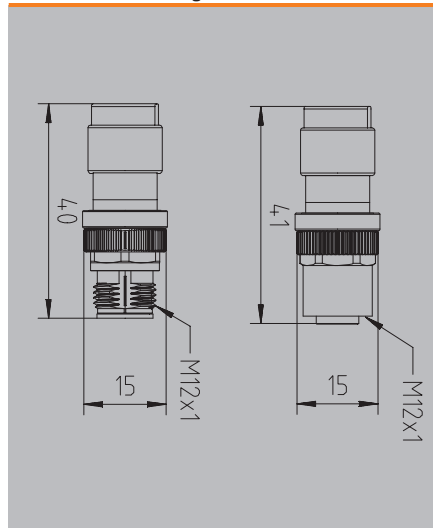
**Technical data**

Type of connection	Crimp connection
Threaded ring material	Brass, nickel-plated
Housing main material	CuZn
Connection thread	M12
Cable diameter	4...9 mm
Wire cross-section, min. / max.	0.08...0.75 mm <sup>2</sup>
Rated current	4 A
Rated voltage	50 V
Temperature range of housing	-40 ... +85 °C
Protection degree	IP67
Contact surface	Gold-plated
Fire safety for railway vehicles	According to EN 45545, HL1 - HL3
Shock and vibration proof according to	DIN EN 61373 KAT2 (Bogie), DIN EN 61373 Class 1B**
Approvals	
<b>Note</b>	Crimping tool: SA-TMCSK - 1381690000; Locator: SA-TMC-PD - 1381700000

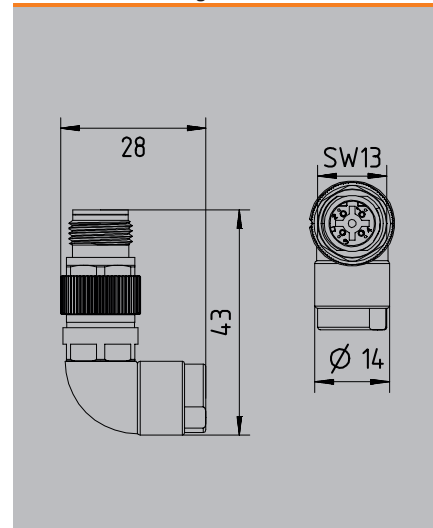
Type of connection	Crimp connection
Threaded ring material	Brass, nickel-plated
Housing main material	CuZn
Connection thread	M12
Cable diameter	4...9 mm
Wire cross-section, min. / max.	0.08...0.75 mm <sup>2</sup>
Rated current	4 A
Rated voltage	50 V
Temperature range of housing	-40 ... +85 °C
Protection degree	IP67
Contact surface	Gold-plated
Fire safety for railway vehicles	According to EN 45545, HL1 - HL3
Shock and vibration proof according to	DIN EN 61373 KAT2 (Bogie), DIN EN 61373 Class 1B**
Approvals	
<b>Note</b>	Crimping tool: SA-TMCSK - 1381690000; Locator: SA-TMC-PD - 1381700000

Type of connection	Crimp connection
Threaded ring material	Brass, nickel-plated
Housing main material	CuZn
Connection thread	M12
Cable diameter	4...9 mm
Wire cross-section, min. / max.	0.08...0.75 mm <sup>2</sup>
Rated current	4 A
Rated voltage	50 V
Temperature range of housing	-40 ... +85 °C
Protection degree	IP67
Contact surface	Gold-plated
Fire safety for railway vehicles	According to EN 45545, HL1 - HL3
Shock and vibration proof according to	DIN EN 61373 KAT2 (Bogie), DIN EN 61373 Class 1B**
Approvals	
<b>Note</b>	Crimping tool: SA-TMCSK - 1381690000; Locator: SA-TMC-PD - 1381700000

**Dimensioned drawing**



**Dimensioned drawing**



**Crimp connection M12 with shield connection D-coded**



**SAISC / SAIBC**

Panel feed-through



**Ordering data**

<b>Male</b>	4-pole
<b>Female</b>	4-pole
<b>Note</b>	

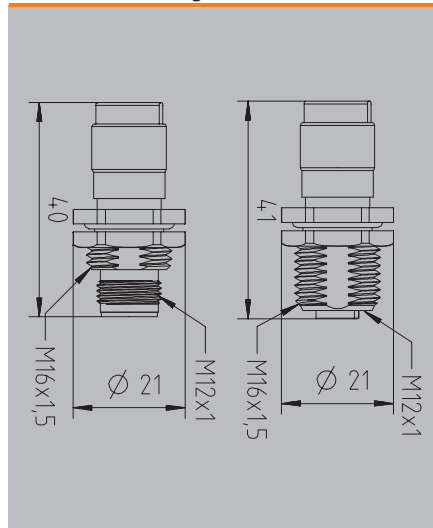
Type	Qty.	Order No.
SAISC-WDF-D-18/28-4/9CG	1	2664790000
SAIBC-WDF-D-18/28-4/9CG	1	2664780000
Contacts must be ordered separately		

**Technical data**

Type of connection	Crimp connection
Threaded ring material	Brass, nickel-plated
Housing main material	CuZn
Connection thread	M12
Cable diameter	4...9 mm
Wire cross-section, min. / max.	0.08...0.75 mm <sup>2</sup>
Rated current	4 A
Rated voltage	60 V
Temperature range of housing	-40 ... +85 °C
Protection degree	IP67
Contact surface	Gold-plated
Fire safety for railway vehicles	According to EN 45545, HL1 - HL3
Shock and vibration proof according to	DIN EN 61373 KAT2 (Bogie), DIN EN 61373 Class 1B**
Approvals	
<b>Note</b>	Crimping tool: SAI-TMCSK - 1381690000; Locator: SAI-TMC-PD - 1381700000

Type of connection	Crimp connection
Threaded ring material	Brass, nickel-plated
Housing main material	CuZn
Connection thread	M12
Cable diameter	4...9 mm
Wire cross-section, min. / max.	0.08...0.75 mm <sup>2</sup>
Rated current	4 A
Rated voltage	60 V
Temperature range of housing	-40 ... +85 °C
Protection degree	IP67
Contact surface	Gold-plated
Fire safety for railway vehicles	According to EN 45545, HL1 - HL3
Shock and vibration proof according to	DIN EN 61373 KAT2 (Bogie), DIN EN 61373 Class 1B**
Approvals	
<b>Note</b>	Crimping tool: SAI-TMCSK - 1381690000; Locator: SAI-TMC-PD - 1381700000

**Dimensioned drawing**

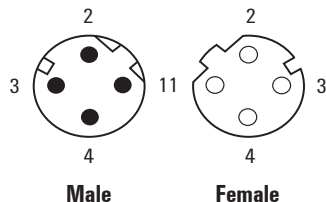




M12 crimp connection  
D-coded



SAISC



Ordering data

Ethernet cables	
male	SAISC-D-RR-6.6-C5
female	SAIBC-D-RR-6.6-C5
male	SAISC-D-RR-7.3-C5
female	SAIBC-D-RR-7.3-C5
male	SAISC-D-RR-8.3-C5
female	SAIBC-D-RR-8.3-C5
PROFINET cables	
male	SAISC-D-PN-6.5-C5
female	SAIBC-D-PN-6.5-C5
Note	

Type	Qty.	Order No.
SAISC-D-RR-6.6-C5	1	1380560000
SAIBC-D-RR-6.6-C5	1	1380570000
SAISC-D-RR-7.3-C5	1	1380540000
SAIBC-D-RR-7.3-C5	1	1380550000
SAISC-D-RR-8.3-C5	1	1380580000
SAIBC-D-RR-8.3-C5	1	1380590000
SAISC-D-PN-6.5-C5	1	1380610000
SAIBC-D-PN-6.5-C5	1	1380620000
Note		

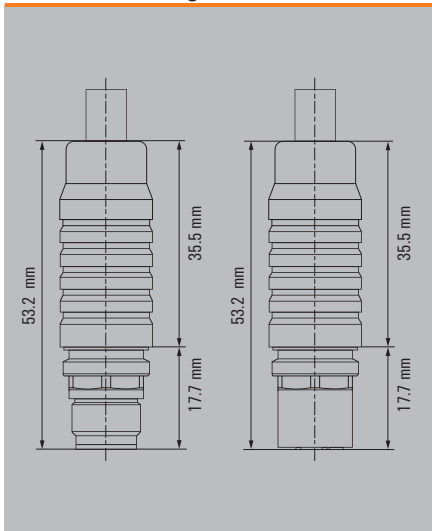
Female Order No.	Pin Order No.	Coding	Cable type	HUBER + SUHNER Order No.
1380550000	1380540000	D	Radox Railcat Databus CAT5 7.3 mm	12568935
1380570000	1380560000	D	Radox Railcat CAT5 4 x AWG22 XC 6.6 mm	12584038
1380590000	1380580000	D	Radox Railcat CAT5 4 x 0.5 mm <sup>2</sup> XCS 8.3 mm	12585489
1380620000	1380610000	D	PROFINET 2 x 2 x AWG22 6.5 mm	
Note				

Technical data

Type of connection	Crimp connection
Threaded ring material	Brass, nickel-plated
Housing main material	CuZn
Connection thread	M12
Wire cross-section, min. / max.	0.34...0.5 mm <sup>2</sup>
Rated current	4 A
Rated voltage	50 V
Temperature range of housing	-40 ... +85 °C
Protection degree	IP67
Contact surface	Gold-plated
Fire safety for railway vehicles	According to EN 45545, HL1 - HL3
Approvals	
Note	

Crimping tool	SAI-TMCSK - 1381690000; Locator: SAI-TMC-PD - 1381700000
Note	

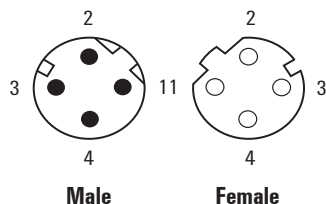
Dimensioned drawing



**M12 crimp connection**  
**Panel feed-through**  
**D-coded**



**SAIBC**



**Ordering data**

Ethernet cables	
	female
	female
	female
PROFINET cables	
	female
Note	

Type	Qty.	Order No.
SAIBC-WDF-DRR-6.6-C5	1	1380640000
SAIBC-WDF-DRR-7.3-C5	1	1380630000
SAIBC-WDF-DRR-8.3-C5	1	1380650000
SAIBC-WDF-D-PN-6.5-C5	1	1380670000

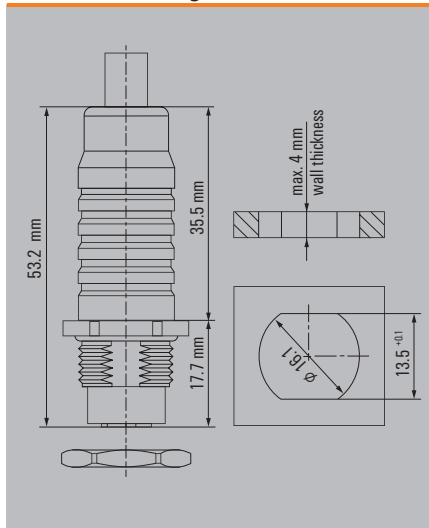
**Technical data**

Type of connection
Threaded ring material
Housing main material
Connection thread
Wire cross-section, min. / max.
Rated current
Rated voltage
Temperature range of housing
Protection degree
Contact surface
Fire safety for railway vehicles
Approvals
Note

Crimp connection
Brass, nickel-plated
CuZn
M12
0.34...0.5 mm <sup>2</sup>
4 A
50 V
-40 ... +85 °C
IP67
Gold-plated
According to EN 45545, HL1 - HL3
Crimping tool: SA-TMCSK - 1381690000; Locator: SA-TMC-PD - 1381700000

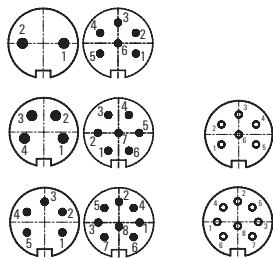
Female	Coding	Cable type	HUBER + SUHNER Order No.
1380630000	D	Radox Railcat Databus CAT5 7.3 mm	12568935
1380640000	D	Radox Railcat CAT5 4 x AWG22 XC 6.6 mm	12584038
1380650000	D	Radox Railcat CAT5 4 x 0.5 mm <sup>2</sup> XCS 8.3 mm	12585489
1380670000	D	PROFINET 2 x 2 x AWG22 6.5 mm ± 0.2 mm	

**Dimensioned drawing**



Customisable connectors

M16 solder connection



Male

Female

SAIS

Male



SAIB

Female



Ordering data

Type	Qty.	Order No.
2-pole. PG 9	1	1321700000
4-pole. PG 9	1	1117970000
5-pole. PG 9	1	1117990000
6-pole. PG 9	1	1304390000
7-pole. PG 9	1	1118010000
8-pole. PG 9	1	1304430000
12-pole. PG 9	1	1548810000
16-pole. PG 9	1	1548820000

Note

Technical data

Type of connection	Solder connection
Threaded ring material	Diecast zinc
Housing main material	PA
Connection thread	M16
Cable diameter	6...8 mm (PG9)
Connection cross-section	0,14...0,75mm <sup>2</sup> (2-, 4-, 5-, 6-, 7- und 8-poles) / 0,14...0,25mm <sup>2</sup> (12- und 16-poles)
Rated current	7 A (2-pole) / 6 A (4- and 5-pole) / 5 A (6-, 7- and 8-pole) / 3 A (12- and 16-pole)
Rated voltage	250 V (2-, 4-, 5- and 6-pole) / 125 V (7-pole) / 60 V (8- and 12-pole / 30 V (16-pole)
Temperature range of housing	-40 ... +85 °C
Protection degree	IP40
Contact surface	Ag (silver)
Approvals	CE

Note

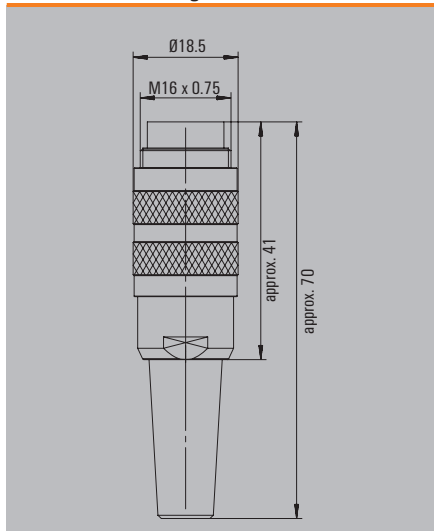
Type	Qty.	Order No.
SAIS-M16-2/9	1	1321700000
SAIS-M16-4/9	1	1117970000
SAIS-M16-5/9	1	1117990000
SAIS-M16-6/9	1	1304390000
SAIS-M16-7/9	1	1118010000
SAIS-M16-8/9	1	1304430000
SAIS-M16-12/9	1	1548810000
SAIS-M16-16/9	1	1548820000

Type	Qty.	Order No.
SAIB-M16-2/9	1	1321690000
SAIB-M16-4/9	1	1117960000
SAIB-M16-5/9	1	1117980000
SAIB-M16-6/9	1	1304400000
SAIB-M16-7/9	1	1118000000
SAIB-M16-8/9	1	1304450000
SAIB-M16-12/9	1	1548830000
SAIB-M16-16/9	1	1548840000

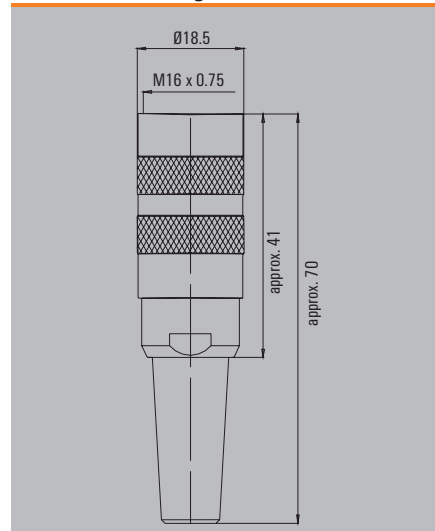
Type of connection	Solder connection
Threaded ring material	Diecast zinc
Housing main material	PA
Connection thread	M16
Cable diameter	6...8 mm (PG9)
Connection cross-section	0,14...0,75mm <sup>2</sup> (2-, 4-, 5-, 6-, 7- und 8-poles) / 0,14...0,25mm <sup>2</sup> (12- und 16-poles)
Rated current	7 A (2-pole) / 6 A (4- and 5-pole) / 5 A (6-, 7- and 8-pole) / 3 A (12- and 16-pole)
Rated voltage	250 V (2-, 4-, 5- and 6-pole) / 125 V (7-pole) / 60 V (8- and 12-pole / 30 V (16-pole)
Temperature range of housing	-40 ... +85 °C
Protection degree	IP40
Contact surface	Ag (silver)
Approvals	CE

Note

Dimensioned drawing



Dimensioned drawing



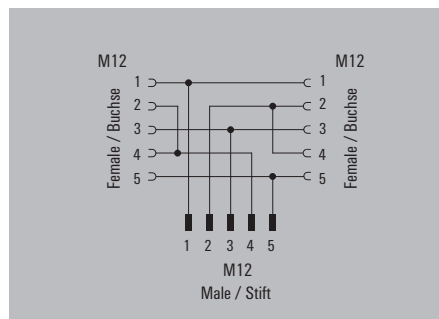


Y-distributor

C

M12/M12

Mounting screw M3, Distribution, pin 2 + 4 bridged

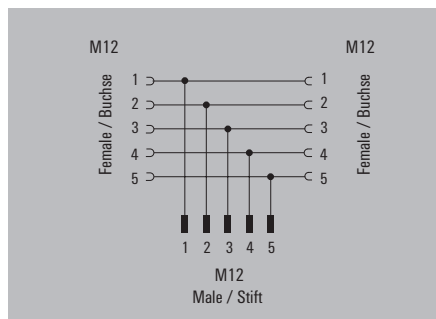


Ordering data

Type	Qty.	Order No.
SAI-Y-5S B2-4 2M12	1	1783410000
Other versions on request		

M12/M12

Mounting screw M3, Parallel distribution

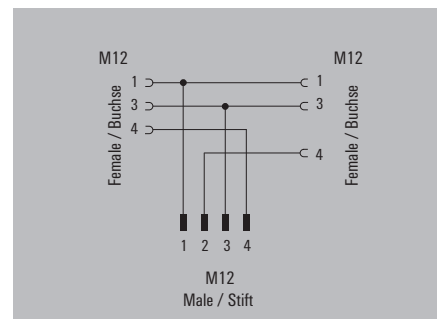


Ordering data

Type	Qty.	Order No.
SAI-Y-5S PARA 2M12	1	1783430000
Other versions on request		

M12/M12

Mounting screw M3

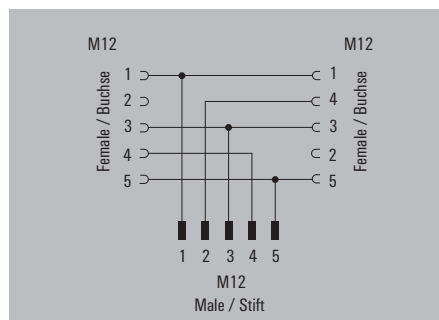


Ordering data

Type	Qty.	Order No.
SAI-Y-4S-M12/M12	1	1060730000
Other versions on request		

M12/M12

Mounting screw M3, Individual distribution



Ordering data

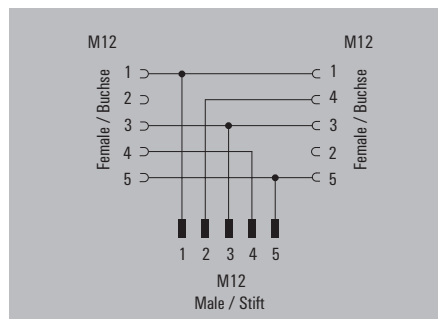
Type	Qty.	Order No.
SAI-Y-5S-M12/M12	1	1826880000
Other versions on request		



Y-distributor

M12/M12

Mounting screw M4

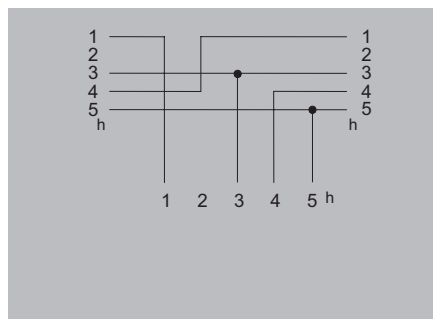


Ordering data

Type	Qty.	Order No.
SAI-Y-5S M12/M12 2B0	1	1881710000
Other versions on request		

M12/M12

And-Conjunction, Mounting screw M3

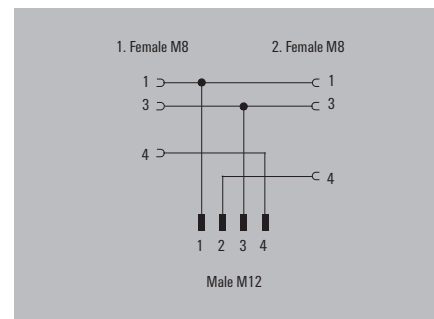


Ordering data

Type	Qty.	Order No.
SAI-Y-5 AND 2M12	1	1515140000
Other versions on request		

M12/M8

Mounting screw M3, Parallel distribution

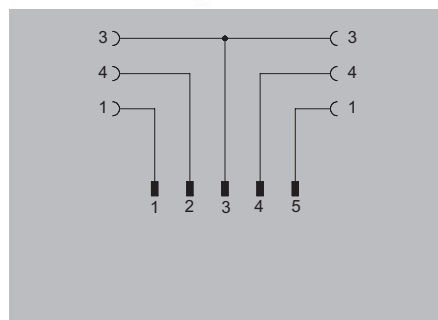


Ordering data

Type	Qty.	Order No.
SAI-Y-4-4/2-4 M12/8	1	1783420000
Other versions on request		

M12/M8

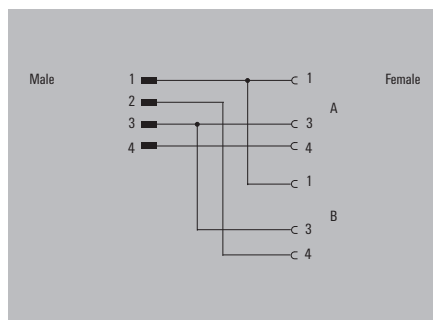
Mounting screw M3



Ordering data

Type	Qty.	Order No.
SAI-Y-5-S0 M12/8	1	1771290000
Other versions on request		

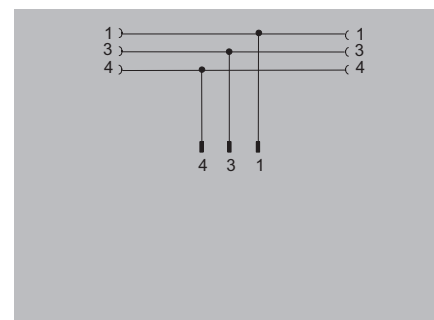
M8/M8



Ordering data

Type	Qty.	Order No.
SAI Y-4S M8-M8	1	1805660000
Other versions on request		

M8/M8



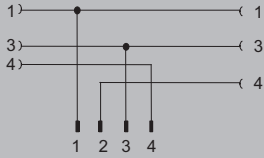
Ordering data

Type	Qty.	Order No.
SAI-Y-3/3 M8-M8	1	1524700000
Other versions on request		



Y-distributor

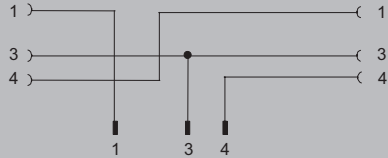
M8/M8



Ordering data

Type	Qty.	Order No.
SAI-Y-4/3 M8-M8	1	1524720000

M8/M8



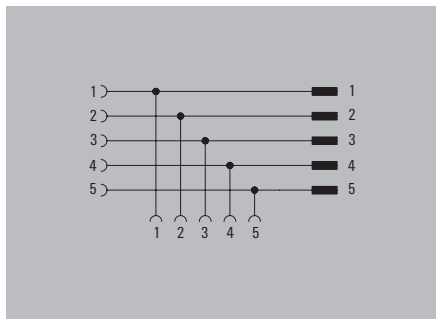
Ordering data

Type	Qty.	Order No.
SAI-Y-3/3 M8-M8 U	1	1550620000

T distributor

M12/M12

CANopen

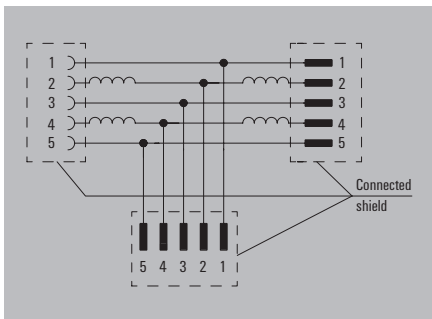


Ordering data

Type	Qty.	Order No.
SAIT-5S-PARA	1	1009370000

M12/M12

PROFIBUS



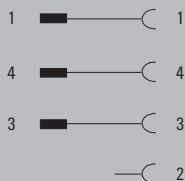
Ordering data

Type	Qty.	Order No.
SAIT-5-M12/M12 B-COD	1	1057940000

Adapters

M8/M8

M8 Male 3-poles - M8 Female 4-poles

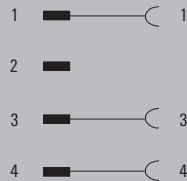


Ordering data

Type	Qty.	Order No.
SAI-ADAPTER-M8/M8-3P/4P	1	1288000000

M8/M8

M8 Male 4-poles - M8 Female 3-poles

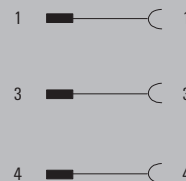


Ordering data

Type	Qty.	Order No.
SAI-ADAPT-M8/M8 4/3P	1	1990570000

M8/M12

M8 Male 3-poles - M12 Female 3-poles



Ordering data

Type	Qty.	Order No.
SAI-ADAPT-M8/M12 3P	1	1473460000

M8/M12

M8 Male 4-poles - M12 Female 4-poles

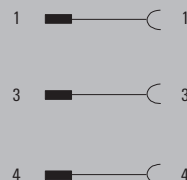


Ordering data

Type	Qty.	Order No.
SAI-ADAPT-M8/M12 4P	1	1990540000

M12/M8

M12 Male 3-poles - M8 Female 3-poles

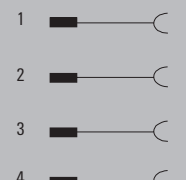


Ordering data

Type	Qty.	Order No.
SAI-ADAPT-M12/M8 3P	1	1990550000

M12/M8

M12 Male 4-poles - M8 Female 4-poles



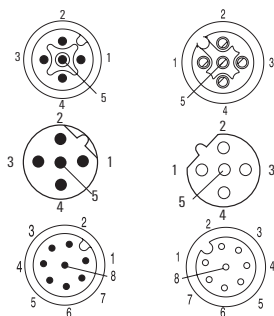
Ordering data

Type	Qty.	Order No.
SAI-ADAPT-M12/M8 4P	1	1990560000

Panel feed-through

A-coded

B-coded



Male

Female

SAI-WDF

A-coded



SAI-WDF

B-coded



Ordering data

Type	Qty.	Order No.
4-pole	1	2485360000
5-pole	1	2427060000
8-pole	1	1543490000

Note

Technical data

Type of connection	Screw connection
Housing main material	CuZn
Connection thread	M12 socket, M12 plug
Rated current	4 A
Rated voltage	4-pole: 230 V; 5-pole: 60 V; 8-pole: 30 V
Temperature range of housing	-40 ... +85 °C
Protection degree	IP67
AF size	17
Contact surface	Gold-plated
Mounting thread	M 12

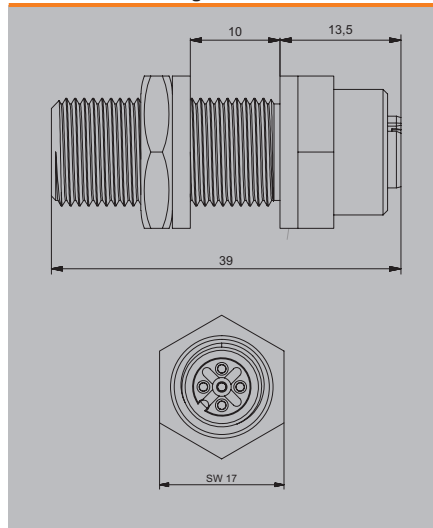
Note

Type	Qty.	Order No.
SAI-WDF 4P M12 K 230	1	2485360000
SAI-WDF 5P M12 K	1	2427060000
SAI-WDF 8P M12 M16	1	1543490000

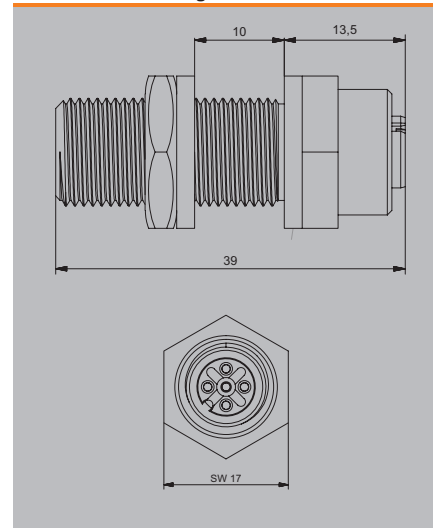
Type	Qty.	Order No.
SAI-WDF 5P B M12 K	1	2485310000

Type of connection	Screw connection
Housing main material	CuZn
Connection thread	M12 socket, M12 plug
Rated current	4 A
Rated voltage	5-pole: 60 V
Temperature range of housing	-40 ... +85 °C
Protection degree	IP67
AF size	17
Contact surface	Gold-plated
Mounting thread	M 12

Dimensioned drawing



Dimensioned drawing



**Protective caps for SAI distributors**

Protects against external effects when the I/O is not in use.  
The level of protection is only valid in screwed condition and was tested on the distributor indicated.

**Protective cap M8**

For SAI M8 distributors.  
IP 68



**Ordering data**

Type	Qty.	Order No.
SAI-SK M8	50	1802760000

**Protective cap M12**

For SAI M12 distributors.  
IP 68



**Ordering data**

Type	Qty.	Order No.
SAI-SK-M12	30	9456050000

**Protective cap M12**

For SAI metal distributors.  
IP 68



**Ordering data**

Type	Qty.	Order No.
SAI-SK M12 MT	30	1802750000

**Protective cap M12 IDC**

For SAI distributors with IDC connection.  
IP 67



**Ordering data**

Type	Qty.	Order No.
SAI-SK-M12 IDC	10	1794850000

**Protective cap M12 Universal**

Suitable for SAI M12 - universal distributor and appropriate M12 cables.  
IP 67



**Ordering data**

Type	Qty.	Order No.
SAI-SK-M12-UNI 2029	20	2330260000

**Protective cap M12 connector**

Protection from external influences. For open plugs.  
For attaching to cable  
IP 67



**Ordering data**

Type	Qty.	Order No.
SAI-SK-M12 BU	1	8425960000

**Protective cap M12 connector**

Protects against external effects. For open plugs or sockets.  
IP 20



**Ordering data**

Type	Qty.	Order No.
SAI-SK STECKER M12	50	1781520000



# M12 and M8 built-in plugs

Various built-in connectors are required for connection to the device in the area of the sensor/actuator cabling.

Weidmüller offers a broad portfolio of built-in connectors with different types of assembly, coding, numbers of poles and cable lengths in thread sizes M8 and M12.

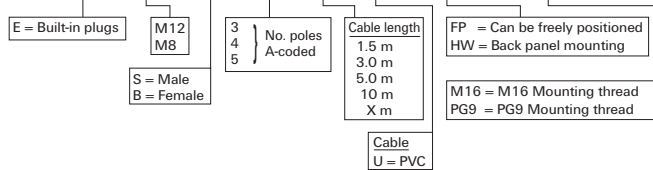
**Properties:**

- Front mounting (screw-in and freely positioned) and back panel mounting
- A and B coding
- M8, M16 and PG9 installation thread
- 3-, 4-,5-,8- and 12-pole



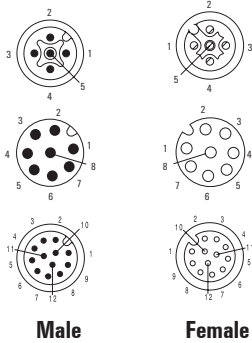
**Designation code SAIE**

**SAIE-M12 S - 3 1.5 U - FP - M16**





**M12 A-coded**  
**Front wall mounting**



Male

Female

**Ordering data**

Male	
4-pole	SAIE-M12S-4-0.5U-M16
5-pole	SAIE-M12S-5-0.5U-M16
8-pole	SAIE-M12S-8-0.5U-M16
12-pole	SAIE-M12S-12-0.5U-FP-M16
Female	
4-pole	SAIE-M12B-4-0.5U-M16
5-pole	SAIE-M12B-5-0.5U-M16
8-pole	SAIE-M12B-8-0.5U-M16
12-pole	SAIE-M12B-12-0.5U-FP-M16
Note	

**Technical data**

Mounting thread	M 16
Housing main material	Brass, nickel-plated
Connection thread	M12
Wire cross section	0.34 (4- and 5-pole)/ 0.25 (8-pole)/ 0.14 (12-pole)
Rated current	4 A (4- and 5-pole)/ 2 A (8-pole)/ 1.5 A (12-pole)
Rated voltage	250 V (4-pole)/ 60 V (5-pole)/ 30 V (8 and 12-pole)
Temperature range of housing	-30...+90 °C
Protection degree	IP67, when screwed in
Contact surface	Gold-plated
Note	

**M12 Screw-in thread**

Mounting thread M16



Type	Qty.	Order No.
SAIE-M12S-4-0.5U-M16	1	1861090000
SAIE-M12S-5-0.5U-M16	1	1861230000
SAIE-M12S-8-0.5U-M16	1	1861110000
SAIE-M12B-4-0.5U-M16	1	1861120000
SAIE-M12B-5-0.5U-M16	1	1836910000
SAIE-M12B-8-0.5U-M16	1	1861140000
Other versions on request		

Mounting thread	M 16
Housing main material	Brass, nickel-plated
Connection thread	M12
Wire cross section	0.34 (4- and 5-pole)/ 0.25 (8-pole)/ 0.14 (12-pole)
Rated current	4 A (4- and 5-pole)/ 2 A (8-pole)/ 1.5 A (12-pole)
Rated voltage	250 V (4-pole)/ 60 V (5-pole)/ 30 V (8 and 12-pole)
Temperature range of housing	-30...+90 °C
Protection degree	IP67, when screwed in
Contact surface	Gold-plated
Note	

**M12 Free positioning**

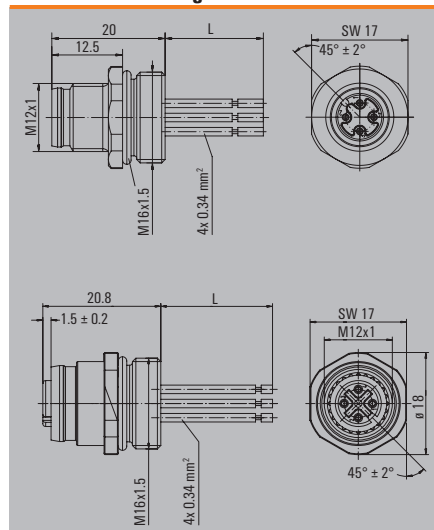
Mounting thread M16



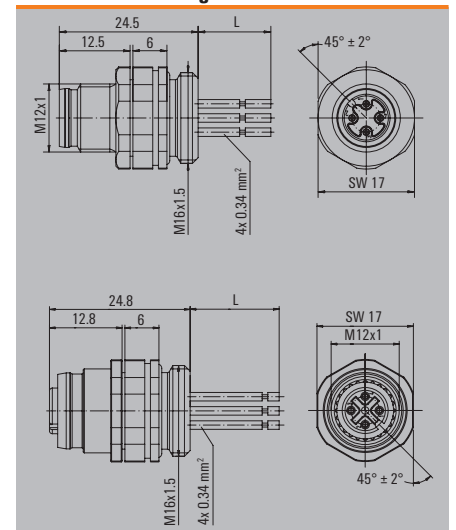
Type	Qty.	Order No.
SAIE-M12S-4-0.5U-FP-M16	1	1861160000
SAIE-M12S-5-0.5U-FP-M16	1	1861170000
SAIE-M12S-8-0.5U-FP-M16	1	1861180000
SAIE-M12S-12-0.5U-FP-M16	1	1283550000
SAIE-M12B-4-0.5U-FP-M16	1	1861190000
SAIE-M12B-5-0.5U-FP-M16	1	1856110000
SAIE-M12B-8-0.5U-FP-M16	1	1861210000
SAIE-M12B-12-0.5U-FP-M16	1	1289140000
Other versions on request		

Mounting thread	M 16
Housing main material	Brass, nickel-plated
Connection thread	M12
Wire cross section	0.34 (4- and 5-pole)/ 0.25 (8-pole)/ 0.14 (12-pole)
Rated current	4 A (4- and 5-pole)/ 2 A (8-pole)/ 1.5 A (12-pole)
Rated voltage	250 V (4-pole)/ 60 V (5-pole)/ 30 V (8 and 12-pole)
Temperature range of housing	-30...+90 °C
Protection degree	IP67, when screwed in
Contact surface	Gold-plated
Note	

**Dimensioned drawing**

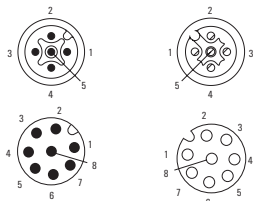


**Dimensioned drawing**



**Built-in plugs**

**M12 A-coded  
Front wall mounting**



**Male**

**Female**

**M12 Screw-in thread**

Mounting thread PG9



**Ordering data**

Male	
	4-pole
	5-pole
	8-pole
Female	
	4-pole
	5-pole
	8-pole
Note	

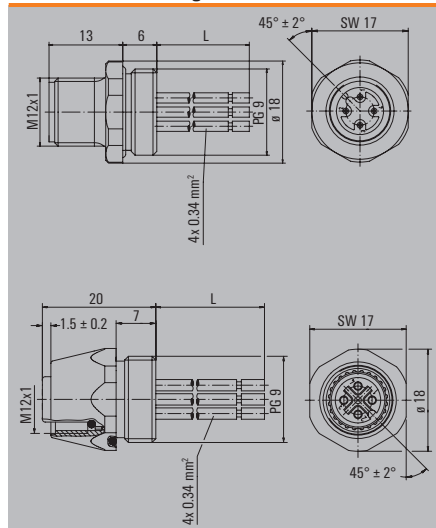
Type	Qty.	Order No.
SAIE-M12S-4-0.5U-PG9	1	1861220000
SAIE-M12S-5-0.5U-PG9	1	1856120000
SAIE-M12S-8-0.5U-PG9	1	1861240000
SAIE-M12B-4-0.5U-PG9	1	1861250000
SAIE-M12B-5-0.5U-PG9	1	1814890000
SAIE-M12B-8-0.5U-PG9	1	1861270000
Other versions on request		

**Technical data**

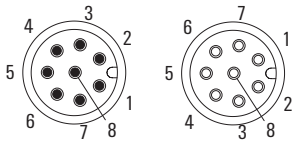
Mounting thread	PG 9
Housing main material	Brass, nickel-plated
Connection thread	M12
Wire cross section	0.34 (4- and 5-pole) / 0.25 (8-pole)
Rated current	4 A (4- and 5-pole) / 2 A (8-pole)
Rated voltage	250 V (4-pole) / 125 V (5-pole) / 60 V (8-pole)
Temperature range of housing	-30...+90 °C
Protection degree	IP67, when screwed in
Contact surface	Gold-plated
Note	

Mounting thread	PG 9
Housing main material	Brass, nickel-plated
Connection thread	M12
Wire cross section	0.34 (4- and 5-pole) / 0.25 (8-pole)
Rated current	4 A (4- and 5-pole) / 2 A (8-pole)
Rated voltage	250 V (4-pole) / 125 V (5-pole) / 60 V (8-pole)
Temperature range of housing	-30...+90 °C
Protection degree	IP67, when screwed in
Contact surface	Gold-plated
Note	

**Dimensioned drawing**



**M8 8-pole**  
**Front wall mounting**  
**Back wall mounting**



Male

Female

**Ordering data**

Male	8-pole
Female	8-pole
<b>Note</b>	

**Technical data**

Mounting thread
Housing main material
Connection thread
Core cross-section
Rated current
Rated voltage
Temperature range of housing
Protection degree
Contact surface
<b>Note</b>

**M8 Free positioning**

Mounting thread M8



Type	Qty.	Order No.
SAIE-M8S-8-0.2U-FP	1	1467590000
SAIE-M8B-8-0.2U-FP	1	1467630000
Further versions on request		

M8
Brass, nickel-plated
M8 thread
0.14 mm <sup>2</sup>
1.5 A
30 V
-25...+85 °C
IP67, when screwed in
Gold-plated

**M8 Back panel mounting**

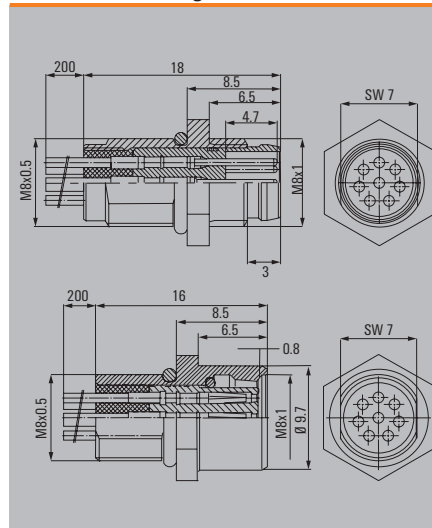
Mounting thread M10/M8



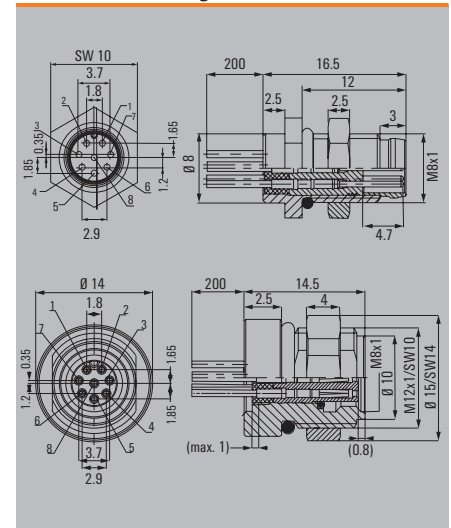
Type	Qty.	Order No.
SAIE-M8S-8-0.2U-HW	1	1467620000
SAIE-M8B-8-0.2U-HW	1	1467640000
Further versions on request		

M8
Brass, nickel-plated
M8 thread
0.14 mm <sup>2</sup>
1.5 A
30 V
-25...+85 °C
IP67, when screwed in
Gold-plated

**Dimensioned drawing**

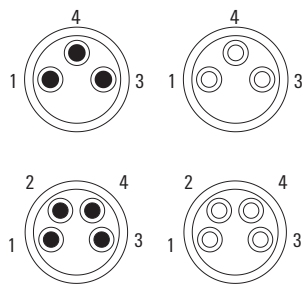


**Dimensioned drawing**



**Built-in plugs**

**M8 3- and 4-pole  
Front wall mounting**



**Male**

**Female**

**Ordering data**

Male	
	3-pole
	4-pole
Female	
	3-pole
	4-pole
Note	

**Technical data**

Mounting thread
Housing main material
Connection thread
Core cross-section
Rated current
Rated voltage
Temperature range of housing
Protection degree
Contact surface
Note

**M8 Free positionable, rest**

Mounting thread M8



**M8 Free positioning**

Mounting thread M8



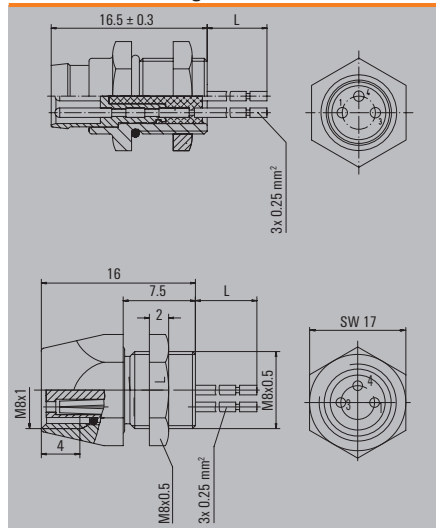
Type	Qty.	Order No.
SAIE-M8R-3-0.5U-FP-M8	1	1861280000
SAIE-M8R-4-0.5U-FP-M8	1	1861290000
Further versions on request		

Type	Qty.	Order No.
SAIE-M8S-3-0.5U-FP-M8	1	1078730000
SAIE-M8S-4-0.5U-FP-M8	1	1078720000
SAIE-M8B-3-0.5U-FP-M8	1	1856130000
SAIE-M8B-4-0.5U-FP-M8	1	1856140000
Further versions on request		

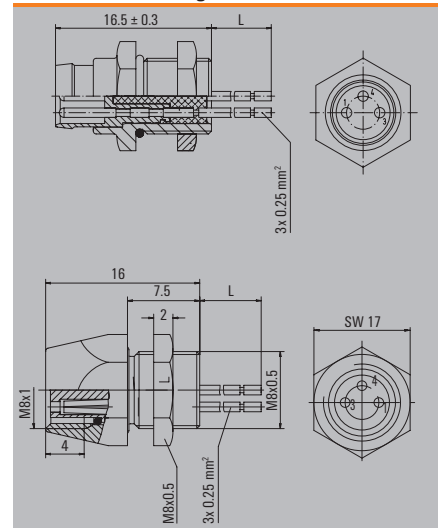
Mounting thread	M8
Housing main material	Brass, nickel-plated
Connection thread	M8 snap
Core cross-section	0.25 mm <sup>2</sup>
Rated current	4 A
Rated voltage	60 V (3-pole) / 30 V (4-pole)
Temperature range of housing	-30...+90 °C
Protection degree	IP67, when screwed in
Contact surface	Gold-plated
Note	

Mounting thread	M8
Housing main material	Brass, nickel-plated
Connection thread	M8 thread
Core cross-section	0.25 mm <sup>2</sup>
Rated current	4 A
Rated voltage	60 V (3-pole) / 30 V (4-pole)
Temperature range of housing	-30...+90 °C
Protection degree	IP67, when screwed in
Contact surface	Gold-plated
Note	

**Dimensioned drawing**

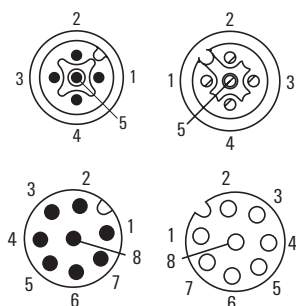


**Dimensioned drawing**



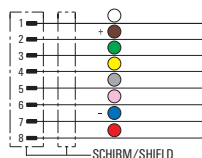
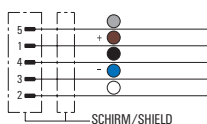
**M12, open on one side**  
**A-coded**  
**shielded**

**Back panel mounting**



**Male**

**Female**



**Ordering data**

		5-pole		8-pole	
<b>Male, straight</b>					
PUR	0.5 m	SAIE-M12S-5S0.5U HW	<b>1341230050</b>	SAIE-M12S-8S0.5U HW	<b>1341240050</b>
PUR	2.0 m	SAIE-M12S-5S2.0U HW	<b>1341230200</b>	SAIE-M12S-8S2.0U HW	<b>1341240200</b>
<b>Female, straight</b>					
PUR	0.5 m	SAIE-M12B-5S0.5U HW	<b>1222270050</b>	SAIE-M12B-8S0.5U HW	<b>1223650050</b>
PUR	2.0 m	SAIE-M12B-5S2.0U HW	<b>1222270000</b>	SAIE-M12B-8S2.0U HW	<b>1223650000</b>
<b>Note</b>					

**Standard cable lengths**

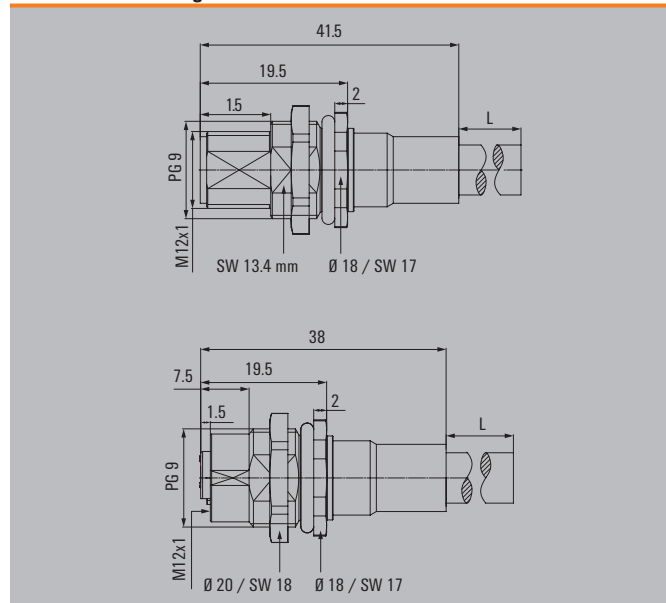
All cables listed in the ordering data have a length of 1.5 metres. The last four ordering digits must be changed when ordering other standard cable lengths.

Standard length	Ordering code
1.5 m	xxxxxx0150
3.0 m	xxxxxx0300
5.0 m	xxxxxx0500
10.0 m	xxxxxx1000

**Technical data**

Mounting thread	PG 9
Housing main material	Zinc diecast, nickel-plated
Connection thread	M12
Core cross-section	0.25 mm <sup>2</sup>
Rated current	4 A (3-, 4- and 5-pole) / 1.5 A (8-pole)
Rated voltage	60 V (5-poles) / 30 V (8-poles)
Temperature range of housing	-5 ... +70 °C
Protection degree	IP68
Contact surface	Gold-plated

**Dimensioned drawing**

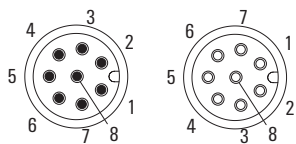


**Built-in plugs**

**M8 PCB connector**  
**8-pole**  
**Back panel mounting**

**M8**

Mounting thread M8/M10



**Male**

**Female**

**Ordering data**

<b>Male</b>	8-pole
<b>Female</b>	8-pole
<b>Note</b>	

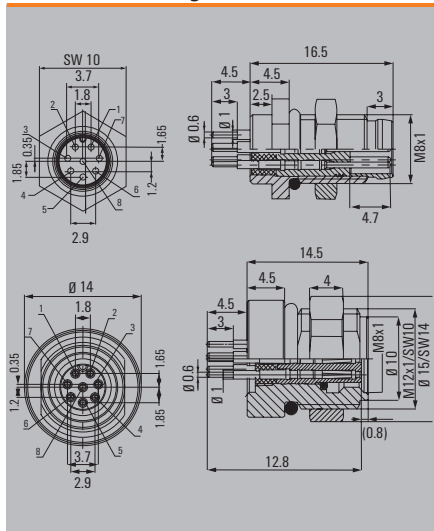
Type	Qty.	Order No.
SAIE-M8S-8-TL-HW	20	1467610000
SAIE-M8B-8-TL-HW	1	1467650000

**Technical data**

Mounting thread	M8
Housing main material	Brass, nickel-plated
Connection thread	M8 thread
Core cross-section	
Rated current	1.5 A
Rated voltage	30 V
Temperature range of housing	-25...+85 °C
Protection degree	IP67, when screwed in
Contact surface	Gold-plated
<b>Note</b>	

Mounting thread	M8
Housing main material	Brass, nickel-plated
Connection thread	M8 thread
Core cross-section	
Rated current	1.5 A
Rated voltage	30 V
Temperature range of housing	-25...+85 °C
Protection degree	IP67, when screwed in
Contact surface	Gold-plated
<b>Note</b>	

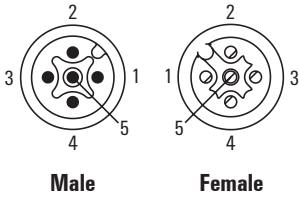
**Dimensioned drawing**



**A-Coded**  
**M12 PCB Connectors**

**M12 Dip solder**

Assembly = Pressing in



**Ordering data**

<b>Male</b>	5-pole
<b>Female</b>	5-pole
<b>Note</b>	

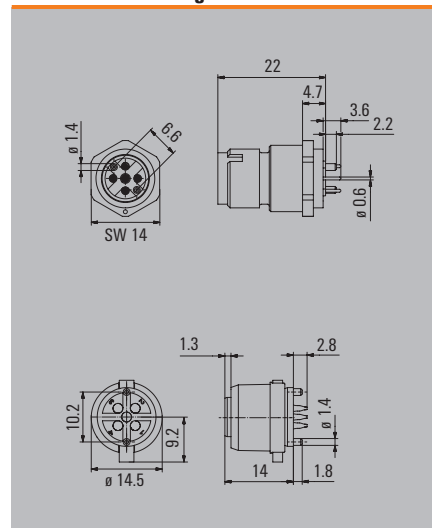
Type	Qty.	Order No.
SAIE-M12S-5-TL	20	1312980000
SAIE-M12B-5-TL	20	1312970000

**Technical data**

Housing main material	CuZn
Connection thread	M12
Rated current	4 A
Rated voltage	60 V
Temperature range of housing	-25...+85 °C
Protection degree	IP68
Contact surface	Gold-plated
Approvals	
<b>Note</b>	

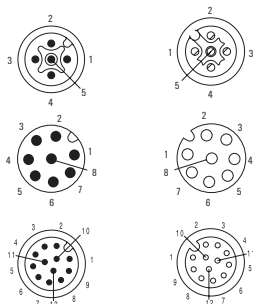
Housing main material	CuZn
Connection thread	M12
Rated current	4 A
Rated voltage	60 V
Temperature range of housing	-25...+85 °C
Protection degree	IP68
Contact surface	Gold-plated
Approvals	
<b>Note</b>	

**Dimensioned drawing**



**Built-in plugs**

**A-coded  
M12 PCB connectors  
Back panel mounting**



**Male**

**Female**

**Ordering data**

Male	
4-pole	
5-pole	
8-pole	
12-pole	
Female	
4-pole	
5-pole	
8-pole	
12-pole	
Note	

**Technical data**

Housing main material	Zinc diecast
Connection thread	M12
Rated current	4 A (4- and 5-pole)/ 2 A (8-pole)/ 1.5 A (12-pole)
Rated voltage	250 V (4-pole)/ 60 V (5-pole)/ 30 V (8 and 12-pole)
Temperature range of housing	-40 ... +85 °C
Protection degree	IP67, when fully mounted
Contact surface	Gold-plated
Approvals	
Note	

**M12**

Straight, mounting thread PG9



**M12**

Angled, mounting thread PG9



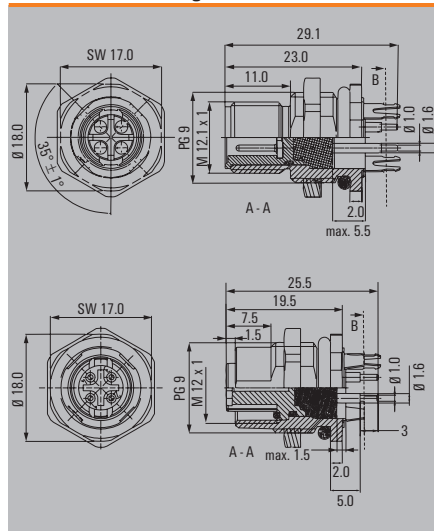
Type	Qty.	Order No.
SAIE-M12S-4S-TL-HW-PG9	10	1467710000
SAIE-M12S-5S-TL-HW-PG9	20	1467720000
SAIE-M12S-8S-TL-HW-PG9	20	1467730000
SAIE-M12S-12S-TL-HW-PG9	20	1467740000
SAIE-M12B-4S-TL-HW-PG9	20	1467770000
SAIE-M12B-5S-TL-HW-PG9	20	1467780000
SAIE-M12B-8S-TL-HW-PG9	20	1467790000
SAIE-M12B-12S-TL-HW-PG9	20	1467810000

Type	Qty.	Order No.
SAIEW-M12S-4S-TL-HW-PG9	15	1467750000
SAIEW-M12S-5S-TL-HW-PG9	15	1467760000
SAIEW-M12B-4S-TL-HW-PG9	15	1467820000
SAIEW-M12B-5S-TL-HW-PG9	15	1467830000

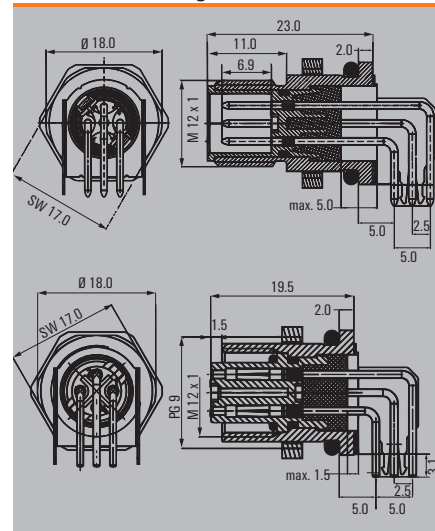
Housing main material	Zinc diecast
Connection thread	M12
Rated current	4 A (4- and 5-pole)/ 2 A (8-pole)/ 1.5 A (12-pole)
Rated voltage	250 V (4-pole)/ 60 V (5-pole)/ 30 V (8 and 12-pole)
Temperature range of housing	-40 ... +85 °C
Protection degree	IP67, when fully mounted
Contact surface	Gold-plated
Approvals	
Note	

Housing main material	Zinc diecast
Connection thread	M12
Rated current	4 A (4- and 5-pole)/ 2 A (8-pole)/ 1.5 A (12-pole)
Rated voltage	250 V (4-pole)/ 60 V (5-pole)/ 30 V (8 and 12-pole)
Temperature range of housing	-40 ... +85 °C
Protection degree	IP67, when fully mounted
Contact surface	Gold-plated
Approvals	
Note	

**Dimensioned drawing**



**Dimensioned drawing**







# Valve plugs for custom assembly



### Variants in different designs

- A (contact spacing: 18 mm),
- B (11 mm) or BD (10 mm)
- C (9.4 mm) or CD (8 mm)

### Design of the plug-in connector:

- 3 and 4-pole variants
- With and without protective circuit
- IP65 thanks to included flat gasket

### Legend

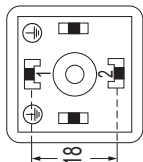
Designation code	
VS-	Valve plug
OB-	Without cables
3P, 4P-	No. of poles
7, 9, 11-	Cable entry (PG)
H	High form
T	Transparent housing
3P	2 + PE
4P	3 + PE
LD	Light-emitting diode (LED)

Type of valve plug	Contact gap	
A	18.0 mm	
B	11.0 mm	to industry standard
BD	10.0 mm	to DIN
C	9.4 mm	to industry standard
CD	8.0 mm	to DIN



**Design type A**  
**without protective circuit**

Contact distance 18 mm



**Ordering data**

PG9 cable passage	
	3-pole
	4-pole
PG11 cable passage	
	3-pole
	4-pole
Note	

**Technical data**

Type of connection	Screw connection
Housing main material	PA 6 GF
Coding	Design A (18 mm)
Cable diameter	6...8 mm (PG9) / 8...10 mm (PG11)
Connection cross-section min. / max.	0.34...1.5 mm <sup>2</sup>
Rated current	10 A
Rated voltage	250 V
Temperature range of housing	-25...+85 °C
Protection degree	IP65
Contact surface	Ni
Note	

**SAIB-VSA**



Type	Qty.	Order No.
SAIB-VSA-3P/250/9-OB	1	1873070000
SAIB-VSA-4P/250/9-OB	1	1873080000
SAIB-VSA-3P/250/11-OB	1	1873090000
SAIB-VSA-4P/250/11-OB	1	1873100000
Note		

Type of connection	Screw connection
Housing main material	PA 6 GF
Coding	Design A (18 mm)
Cable diameter	6...8 mm (PG9) / 8...10 mm (PG11)
Connection cross-section min. / max.	0.34...1.5 mm <sup>2</sup>
Rated current	10 A
Rated voltage	250 V
Temperature range of housing	-25...+85 °C
Protection degree	IP65
Contact surface	Ni
Note	

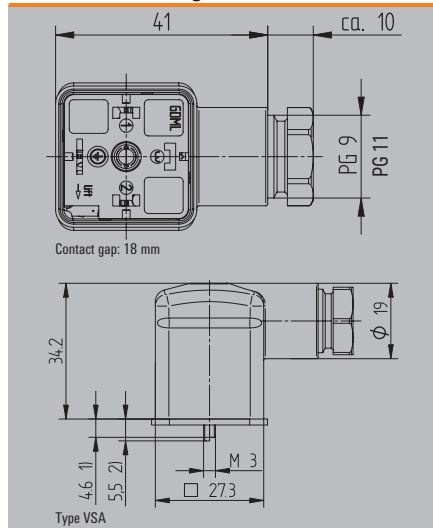
**SAIB-VSA**



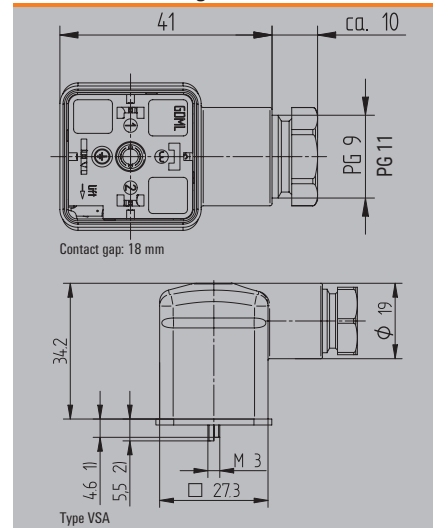
Type	Qty.	Order No.
SAIB-VSA-3P/230/9-H/OB	1	1873130000
SAIB-VSA-4P/230/9-H/OB	1	1873140000
SAIB-VSA-3P/230/11-H/OB	1	1873150000
SAIB-VSA-4P/230/11-H/OB	1	1873160000
Note		

Type of connection	Screw connection
Housing main material	PA 6 GF
Coding	Design A (18 mm)
Cable diameter	6...8 mm (PG9) / 8...10 mm (PG11)
Connection cross-section min. / max.	0.34...1.5 mm <sup>2</sup>
Rated current	10 A
Rated voltage	230 V
Temperature range of housing	-25...+85 °C
Protection degree	IP65
Contact surface	Ni
Note	

**Dimensioned drawing**

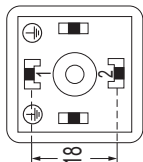


**Dimensioned drawing**



**Design type A  
with protective circuit**

Contact distance 18 mm



**SAIB-VSA**

with Free-wheel diode, 24 V



**SAIB-VSA**

with Varistor, 230 V



**Ordering data**

PG9 cable passage	3-pole
<b>Note</b>	

Type	Qty.	Order No.
SAIB-VSA-3P/24/9/LD	1	1873120000

Type	Qty.	Order No.
SAIB-VSA-3P/230/9/LD	1	1873110000

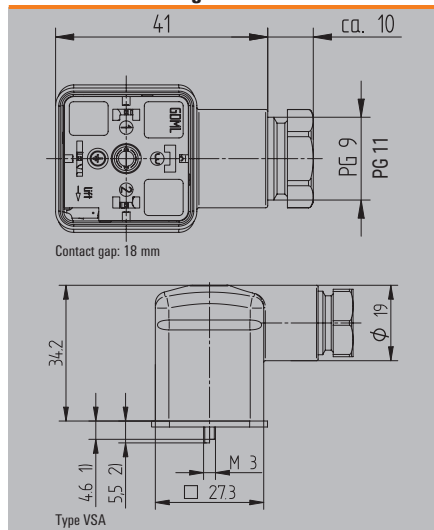
**Technical data**

Type of connection
Housing main material
Coding
Cable diameter
Connection cross-section min. / max.
Rated current
Rated voltage
Temperature range of housing
Protection degree
Contact surface
<b>Note</b>

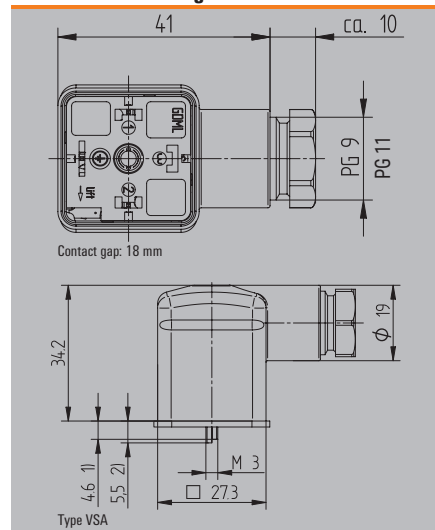
Screw connection
PA 6 GF
Design A (18 mm)
6...8 mm (PG9) / 8...10 mm (PG11)
0.34...1.5 mm <sup>2</sup>
10 A
24 V DC
-25...+85 °C
IP65
Ni

Screw connection
PA 6 GF
Design A (18 mm)
6...8 mm (PG9) / 8...10 mm (PG11)
0.34...1.5 mm <sup>2</sup>
10 A
230 V
-25...+85 °C
IP65
Ni

**Dimensioned drawing**

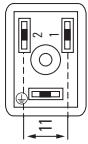


**Dimensioned drawing**



**Design type B**

Contact distance 11 mm



**SAIB-VSB**

without protective circuit



**SAIB-VSB**

with Free-wheel diode, 24 V



**Ordering data**

<b>PG9 cable passage</b>	3-pole
<b>Note</b>	

Type	Qty.	Order No.
SAIB-VSB-3P/250/9-0B	1	1873170000

Type	Qty.	Order No.
SAIB-VSB-3P/24/9/LD	1	1873180000

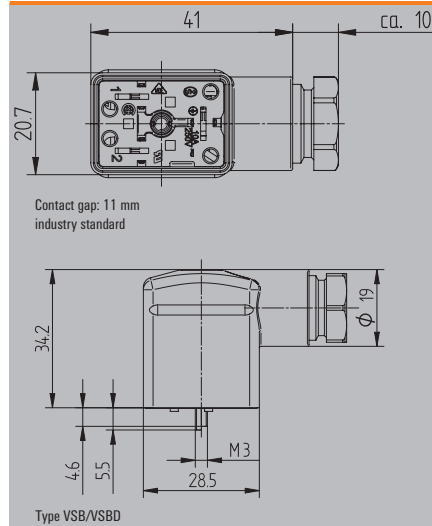
**Technical data**

Type of connection
Housing main material
Coding
Cable diameter
Connection cross-section min. / max.
Rated current
Rated voltage
Temperature range of housing
Protection degree
Contact surface
<b>Note</b>

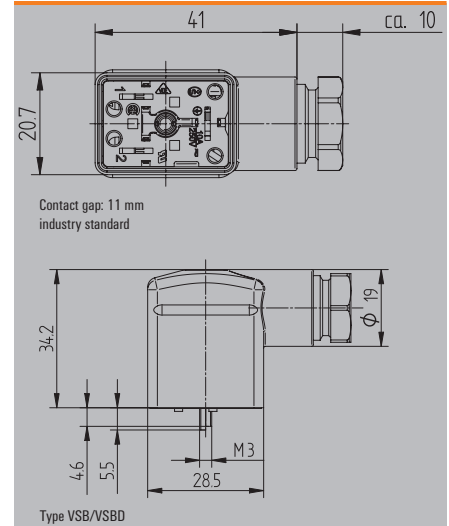
Screw connection
PA 6 GF
Industrial design B (11 mm)
6..8 mm (PG9)
0.34...1.5 mm <sup>2</sup>
10 A
250 V
-25...+85 °C
IP65
Ni

Screw connection
PA 6 GF
Industrial design B (11 mm)
6..8 mm (PG9)
0.34...1.5 mm <sup>2</sup>
10 A
24 V DC
-25...+85 °C
IP65
Ni

**Dimensioned drawing**

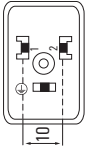


**Dimensioned drawing**



**Design type BD**  
**without protective circuit**

Contact distance 10 mm



**SAIB-VSBD**



**Ordering data**

<b>PG9 cable passage</b>	3-pole
<b>Note</b>	

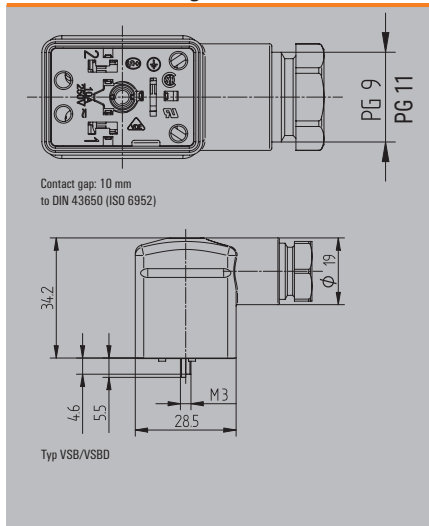
Type	Qty.	Order No.
SAIB-VSBD-3P/250/9-0B	1	1873190000

**Technical data**

Type of connection	Screw connection
Housing main material	PA 6 GF
Coding	DIN design B (10 mm)
Cable diameter	6...8 mm (PG9)
Connection cross-section min. / max.	0.34...1.5 mm <sup>2</sup>
Rated current	10 A
Rated voltage	250 V
Temperature range of housing	-25...+85 °C
Protection degree	IP65
Contact surface	Ni
<b>Note</b>	

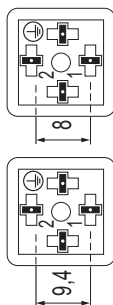
Type of connection	Screw connection
Housing main material	PA 6 GF
Coding	DIN design B (10 mm)
Cable diameter	6...8 mm (PG9)
Connection cross-section min. / max.	0.34...1.5 mm <sup>2</sup>
Rated current	10 A
Rated voltage	250 V
Temperature range of housing	-25...+85 °C
Protection degree	IP65
Contact surface	Ni
<b>Note</b>	

**Dimensioned drawing**



**Design type C/CD**  
without protective circuit

Contact distance C = 9.4 mm, CD = 8 mm



**SAIB-VSC**



**SAIB-VSCD**



**Ordering data**

PG7 cable passage	
	3-pole
	4-pole
<b>Note</b>	

Type	Qty.	Order No.
SAIB-VSC-3P/250/7-0B	1	1873200000
SAIB-VSC-4P/250/7-0B	1	1873210000

Type	Qty.	Order No.
SAIB-VSCD-3P/250/7-0B	1	1873220000
SAIB-VSCD-4P/250/7-0B	1	1873230000

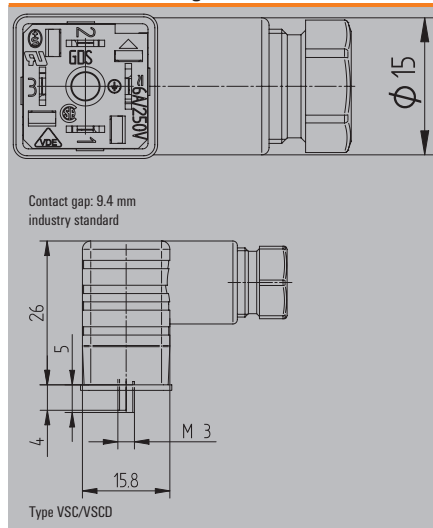
**Technical data**

Type of connection	
Housing main material	
Coding	
Cable diameter	
Connection cross-section min. / max.	
Rated current	
Rated voltage	
Temperature range of housing	
Protection degree	
Contact surface	
<b>Note</b>	

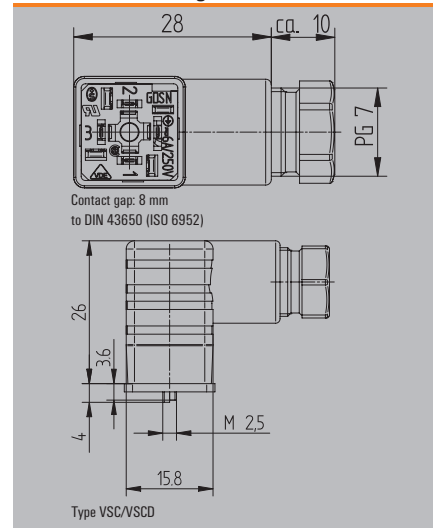
Screw connection	
PA 6 GF	
Industrial design C (9.4 mm)	
4...6 mm	
0.34...1.5 mm <sup>2</sup>	
10 A	
250 V	
-25...+85 °C	
IP65	
Ni	

Screw connection	
PA 6 GF	
DIN design C (8 mm)	
4...6 mm	
0.34...1.5 mm <sup>2</sup>	
10 A	
250 V	
-25...+85 °C	
IP65	
Ni	

**Dimensioned drawing**



**Dimensioned drawing**



# Protective sleeve adapter



In machine construction, it is very common for cables to be run in the open air. To be able to protect cables from damage through a wide range of causes such as rodents, it is some-times necessary to protect the cable with a protective sleeve.

To fasten the protective sleeve to a plug in connector designed for custom assembly, Weidmüller offers a protective sleeve adapter. This adapter is used instead of the PG7 cable gland. The protective sleeve is quick to fit, protecting the cable straight away.

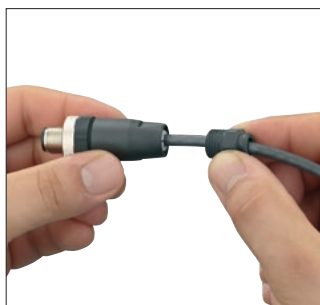
## Ordering data

Type	Qty.	Order No.
SAI-SSA-PG7	10	1938300000

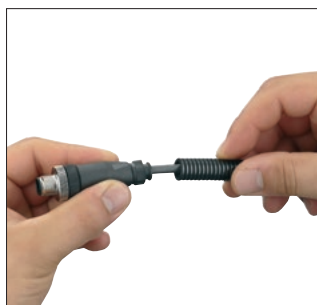
## Fitting a protective sleeve adapter



1. Unscrewing the PG7 cable gland



2. Screwing on the protective sleeve adapter

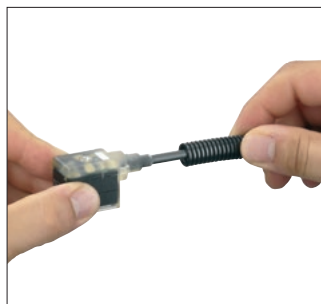


3. Fitting a PG7 protective sleeve

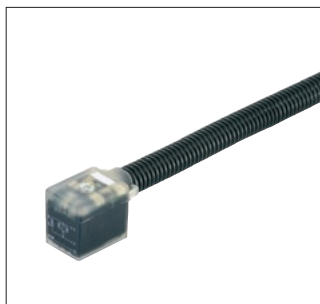


4. Finished

## Connection of protective sleeve adapter to other plug connectors



1. Connect the protective tubing to the tube union



2. Finished

The protective sleeve is also suitable for protecting cables with valve plugs. A corresponding connecting piece is already present on valve plugs with moulded seal.



# M12 POWER (A-, S-, K-, L- and T-coded)

<b>M12 POWER (A-, S-, K-, L- and T-coded)</b>	Introduction	D.2
	Sensor cables	D.4
	Customisable plug-in connectors	D.14
	Customisable panel feed-through	D.22
	Panel feed-through	D.24
	Built-in plug	D.26
	Device connector	D.29
	T, h and H distributors	D.31
	M12 distributor	D.33
	M12 power distributor	D.35
	Connectors - accessories	D.38

# M12 POWER (A-, S-, K-, L- und T-Codiert)

Your peripheral devices should be supplied with greater power. We offer a compact solution to for high power transmission.

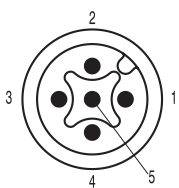
- A-, S-, T-, K- or L-coding
- 630 V AC or 60 V DC
- 12 A or 16 A

We offer the following products:

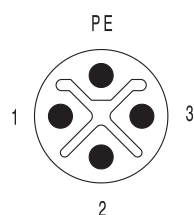
- Passive distributors (SVV for 24 V, MVV for 400 V)
- Overmoulded cable solutions
- Customisable plug-in connectors
- Plug-in connectors for device integration
- Circuit board mounting
- With strands



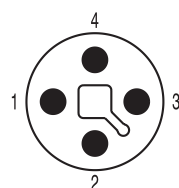
**A-coded**



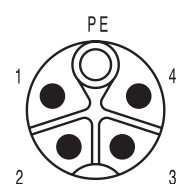
**S-coded**



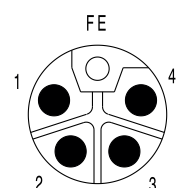
**T-coded**



**K-coded**



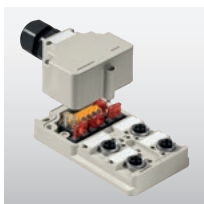
**L-coded**





### Securely coded

S-coded M12 plug-in connectors come with three poles and an advanced PE contact. The T-coded variants have four poles of equal length. Neither system is compatible with other M12 solutions.



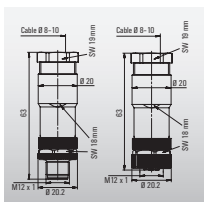
### High performance data

With the transmission of 12 A and 630 V AC or 60 V DC, our M12 plug-in connectors bring more power to your IP 6x peripherals.



### Simple assembly

The IDC, crimp or screw connection for the conductor makes connecting on site problem-free.



### Small dimensions

The compact size of our M12 plug system helps you set up space-saving field wiring systems.



#### Connectors

Screw connection



#### Panel feed-through

Screw connection



#### Built in connectors



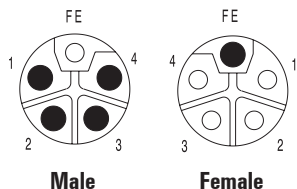
#### Distributors



**Connecting cables**  
**M12**  
**L-coded**



M12 POWER (A-, S-, K-, L- and T-coded)



**Ordering data**

Male, straight - Female, straight	
PUR halogen-free	1.5 m
PUR halogen-free	3.0 m
PUR halogen-free	5.0 m
PUR halogen-free	10.0 m
Male, straight - Female, angled	
PUR halogen-free	1.5 m
PUR halogen-free	3.0 m
PUR halogen-free	5.0 m
PUR halogen-free	10.0 m
Male, angled - Female, angled	
PUR halogen-free	1.5 m
PUR halogen-free	3.0 m
PUR halogen-free	5.0 m
PUR halogen-free	10.0 m
Male, angled - female, straight	
PUR halogen-free	1.5 m
PUR halogen-free	3.0 m
PUR halogen-free	5.0 m
PUR halogen-free	10.0 m
<b>Note</b>	

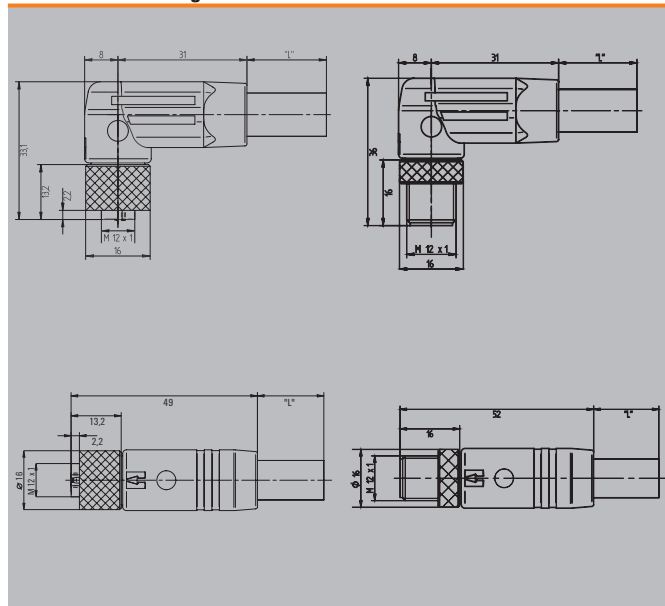
5-pole	
SAIL-M12GM12G-L-1.5PGR	2455260150
SAIL-M12GM12G-L-3.0PGR	2455260300
SAIL-M12GM12G-L-5.0PGR	2455260500
SAIL-M12GM12G-L-10PGR	2455261000
SAIL-M12GM12W-L-1.5PGR	2455280150
SAIL-M12GM12W-L-3.0PGR	2455280300
SAIL-M12GM12W-L-5.0PGR	2455280500
SAIL-M12GM12W-L-10PGR	2455281000
SAIL-M12WM12W-L-1.5PGR	2455300150
SAIL-M12WM12W-L-3.0PGR	2455300300
SAIL-M12WM12W-L-5.0PGR	2455300500
SAIL-M12WM12W-L-10PGR	2455301000
SAIL-M12WM12G-L-1.5PGR	2455320150
SAIL-M12WM12G-L-3.0PGR	2455320300
SAIL-M12WM12G-L-5.0PGR	2455320500
SAIL-M12WM12G-L-10PGR	2455321000


**D**

**Technical data**

Core cross-section	1.5 mm <sup>2</sup>
Rated voltage	63 V DC
Rated current	16 A
Temperature range of housing	-40 ... +85 °C
Contact surface	Gold-plated
Protection degree	IP65, IP67, when screwed in
AF size	
Tightening torque	M12: 0.8 - 1.2 Nm
Approvals	CE; cULus

**Dimensioned drawing**

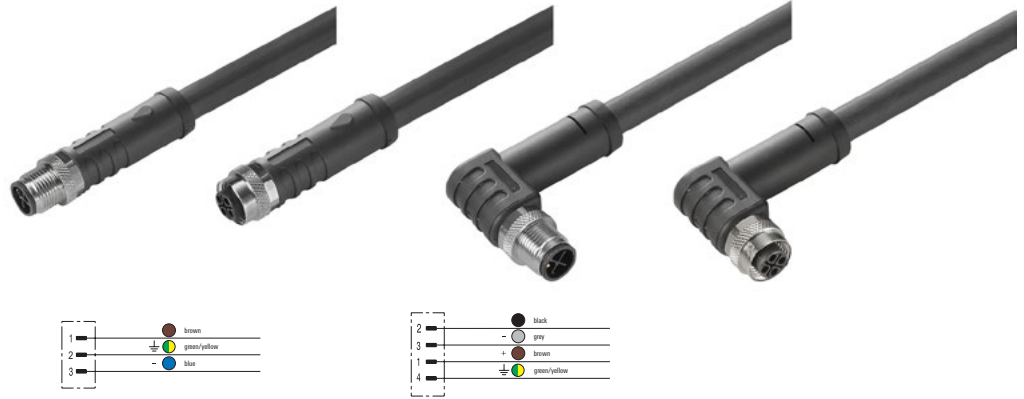
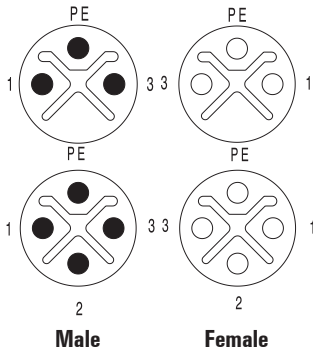






Sensor cables

One end without connector  
M12  
S-coded



Ordering data

Male, straight	
PUR halogen-free	1.5 m
PUR halogen-free	3.0 m
PUR halogen-free	5.0 m
PUR halogen-free	10.0 m
Male, angled	
PUR halogen-free	1.5 m
PUR halogen-free	3.0 m
PUR halogen-free	5.0 m
PUR halogen-free	10.0 m
Female, straight	
PUR halogen-free	1.5 m
PUR halogen-free	3.0 m
PUR halogen-free	5.0 m
PUR halogen-free	10.0 m
Female, angled	
PUR halogen-free	1.5 m
PUR halogen-free	3.0 m
PUR halogen-free	5.0 m
PUR halogen-free	10.0 m
Note	

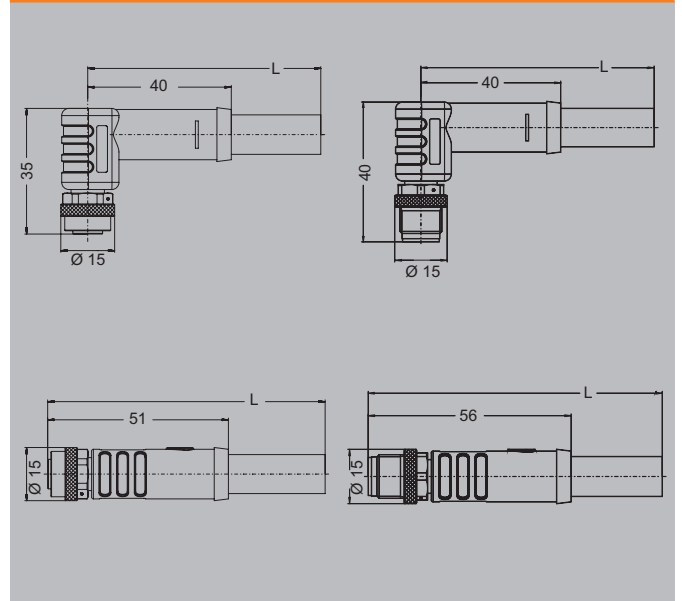
3-pole	
SAIL-M12G-S3-1.5P	2706680150
SAIL-M12G-S3-3.0P	2706680300
SAIL-M12G-S3-5.0P	2706680500
SAIL-M12G-S3-10P	2706681000
SAIL-M12W-S3-1.5P	2050050150
SAIL-M12W-S3-3.0P	2050050300
SAIL-M12W-S3-5.0P	2050050500
SAIL-M12W-S3-10P	2050051000
SAIL-M12BG-S3-1.5P	2706670150
SAIL-M12BG-S3-3.0P	2706670300
SAIL-M12BG-S3-5.0P	2706670500
SAIL-M12BG-S3-10P	2706671000
SAIL-M12BW-S3-1.5P	2050010150
SAIL-M12BW-S3-3.0P	2050010300
SAIL-M12BW-S3-5.0P	2050010500
SAIL-M12BW-S3-10P	2050011000

4-pole	
SAIL-M12G-S-1.5P	2050230150
SAIL-M12G-S-3.0P	2050230300
SAIL-M12G-S-5.0P	2050230500
SAIL-M12G-S-10P	2050231000
SAIL-M12W-S-1.5P	2050260150
SAIL-M12W-S-3.0P	2050260300
SAIL-M12W-S-5.0P	2050260500
SAIL-M12W-S-10P	2050261000
SAIL-M12BG-S-1.5P	2050160150
SAIL-M12BG-S-3.0P	2050160300
SAIL-M12BG-S-5.0P	2050160500
SAIL-M12BG-S-10P	2050161000
SAIL-M12BW-S-1.5P	2050210150
SAIL-M12BW-S-3.0P	2050210300
SAIL-M12BW-S-5.0P	2050210500
SAIL-M12BW-S-10P	2050211000

Technical data

Core cross-section	1.5 mm <sup>2</sup>
Rated voltage	630 V AC
Rated current	12 A
Temperature range of housing	-40 ... +85 °C
Contact surface	Gold-plated
Protection degree	IP67, when screwed in
AF size	13
Tightening torque	M12: 0.8 - 1.2 Nm
Approvals	CE; cULus

Dimensioned drawing



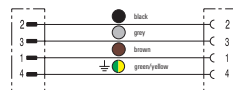
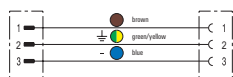
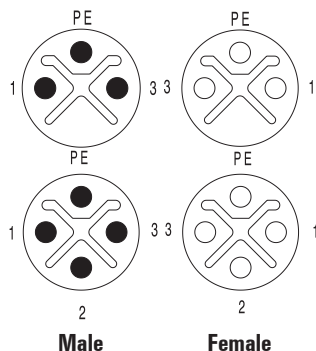




Connecting cables

M12

S-coded



Ordering data

Male, straight - Female, straight	
PUR halogen-free	1.5 m
PUR halogen-free	3.0 m
PUR halogen-free	5.0 m
PUR halogen-free	10.0 m
Male, straight - Female, angled	
PUR halogen-free	1.5 m
PUR halogen-free	3.0 m
PUR halogen-free	5.0 m
PUR halogen-free	10.0 m
Male, angled - Female, angled	
PUR halogen-free	1.5 m
PUR halogen-free	3.0 m
PUR halogen-free	5.0 m
PUR halogen-free	10.0 m
Male, angled - female, straight	
PUR halogen-free	1.5 m
PUR halogen-free	3.0 m
PUR halogen-free	5.0 m
PUR halogen-free	10.0 m
<b>Note</b>	

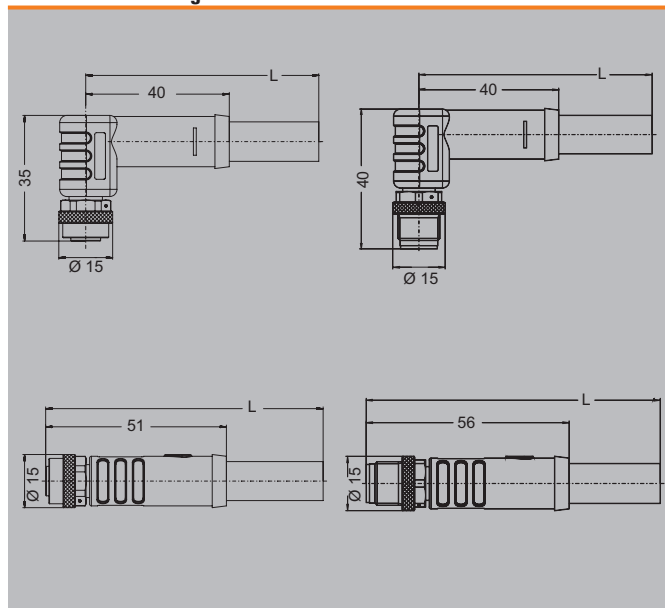
3-pole	
SAIL-M12GM12G-S3-1.5P	2050060150
SAIL-M12GM12G-S3-3.0P	2050060300
SAIL-M12GM12G-S3-5.0P	2050060500
SAIL-M12GM12G-S3-10P	2050061000
SAIL-M12GM12W-S3-1.5P	2050100150
SAIL-M12GM12W-S3-3.0P	2050100300
SAIL-M12GM12W-S3-5.0P	2050100500
SAIL-M12GM12W-S3-10P	2050101000
SAIL-M12WM12W-S3-1.5P	2050150150
SAIL-M12WM12W-S3-3.0P	2050150300
SAIL-M12WM12W-S3-5.0P	2050150500
SAIL-M12WM12W-S3-10P	2050151000
SAIL-M12WM12G-S3-1.5P	2050080150
SAIL-M12WM12G-S3-3.0P	2050080300
SAIL-M12WM12G-S3-5.0P	2050080500
SAIL-M12WM12G-S3-10P	2050081000

4-pole	
SAIL-M12GM12G-S-1.5P	2050270150
SAIL-M12GM12G-S-3.0P	2050270300
SAIL-M12GM12G-S-5.0P	2050270500
SAIL-M12GM12G-S-10P	2050271000
SAIL-M12GM12W-S-1.5P	2050460150
SAIL-M12GM12W-S-3.0P	2050460300
SAIL-M12GM12W-S-5.0P	2050460500
SAIL-M12GM12W-S-10P	2050461000
SAIL-M12WM12W-S-1.5P	2050470150
SAIL-M12WM12W-S-3.0P	2050470300
SAIL-M12WM12W-S-5.0P	2050470500
SAIL-M12WM12W-S-10P	2050471000
SAIL-M12WM12G-S-1.5P	2050350150
SAIL-M12WM12G-S-3.0P	2050350300
SAIL-M12WM12G-S-5.0P	2050350500
SAIL-M12WM12G-S-10P	2050351000

Technical data

Core cross-section	1.5 mm <sup>2</sup>
Rated voltage	630 V AC
Rated current	12 A
Temperature range of housing	-40 ... +85 °C
Contact surface	Gold-plated
Protection degree	IP67, when screwed in
AF size	13
Tightening torque	M12: 0.8 - 1.2 Nm
Approvals	CE; cULus

Dimensioned drawing

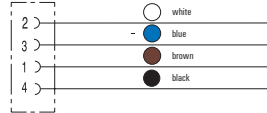
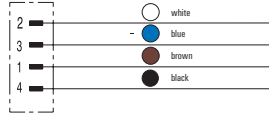
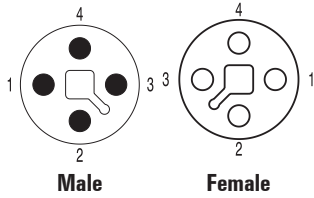


D

M12 POWER (A-, S-, K-, L- and T-coded)

Sensor cables

One end without connector  
M12  
T-coded



Ordering data

Male, straight	
PUR halogen-free	1.5 m
PUR halogen-free	3.0 m
PUR halogen-free	5.0 m
PUR halogen-free	10.0 m
Male, angled	
PUR halogen-free	1.5 m
PUR halogen-free	3.0 m
PUR halogen-free	5.0 m
PUR halogen-free	10.0 m
Female, straight	
PUR halogen-free	1.5 m
PUR halogen-free	3.0 m
PUR halogen-free	5.0 m
PUR halogen-free	10.0 m
Female, angled	
PUR halogen-free	1.5 m
PUR halogen-free	3.0 m
PUR halogen-free	5.0 m
PUR halogen-free	10.0 m
Note	

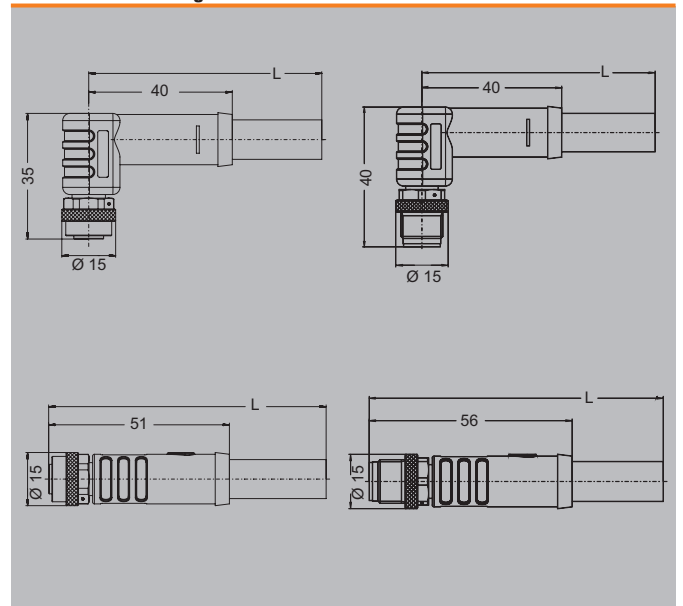
1.5 mm <sup>2</sup>	
SAIL-M12G-T-1.5P	2050640150
SAIL-M12G-T-3.0P	2050640300
SAIL-M12G-T-5.0P	2050640500
SAIL-M12G-T-10P	2050641000
SAIL-M12W-T-1.5P	2050650150
SAIL-M12W-T-3.0P	2050650300
SAIL-M12W-T-5.0P	2050650500
SAIL-M12W-T-10P	2050651000
SAIL-M12BG-T-1.5P	2050490150
SAIL-M12BG-T-3.0P	2050490300
SAIL-M12BG-T-5.0P	2050490500
SAIL-M12BG-T-10P	2050491000
SAIL-M12BW-T-1.5P	2050560150
SAIL-M12BW-T-3.0P	2050560300
SAIL-M12BW-T-5.0P	2050560500
SAIL-M12BW-T-10P	2050561000

2.5 mm <sup>2</sup>	
SAIL-M12G-T-1.5H	2050700150
SAIL-M12G-T-3.0H	2050700300
SAIL-M12G-T-5.0H	2050700500
SAIL-M12G-T-10H	2050701000
SAIL-M12W-T-1.5H	2050710150
SAIL-M12W-T-3.0H	2050710300
SAIL-M12W-T-5.0H	2050710500
SAIL-M12W-T-10H	2050711000
SAIL-M12BG-T-1.5H	2050680150
SAIL-M12BG-T-3.0H	2050680300
SAIL-M12BG-T-5.0H	2050680500
SAIL-M12BG-T-10H	2050681000
SAIL-M12BW-T-1.5H	2050690150
SAIL-M12BW-T-3.0H	2050690300
SAIL-M12BW-T-5.0H	2050690500
SAIL-M12BW-T-10H	2050691000

Technical data

Core cross-section	1.5 mm <sup>2</sup>
Rated voltage	63 V DC
Rated current	12 A
Temperature range of housing	-40 ... +85 °C
Contact surface	Gold-plated
Protection degree	IP67, when screwed in
AF size	13
Tightening torque	M12: 0.8 - 1.2 Nm
Approvals	CE; cULus

Dimensioned drawing

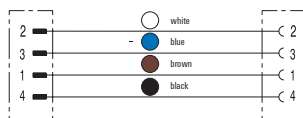
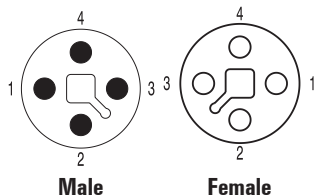




Connecting cables

M12

T-coded



Ordering data

Male, straight - Female, straight	
PUR halogen-free	1.5 m
PUR halogen-free	3.0 m
PUR halogen-free	5.0 m
PUR halogen-free	10.0 m
Male, straight - Female, angled	
PUR halogen-free	1.5 m
PUR halogen-free	3.0 m
PUR halogen-free	5.0 m
PUR halogen-free	10.0 m
Male, angled - Female, angled	
PUR halogen-free	1.5 m
PUR halogen-free	3.0 m
PUR halogen-free	5.0 m
PUR halogen-free	10.0 m
Male, angled - female, straight	
PUR halogen-free	1.5 m
PUR halogen-free	3.0 m
PUR halogen-free	5.0 m
PUR halogen-free	10.0 m
Note	

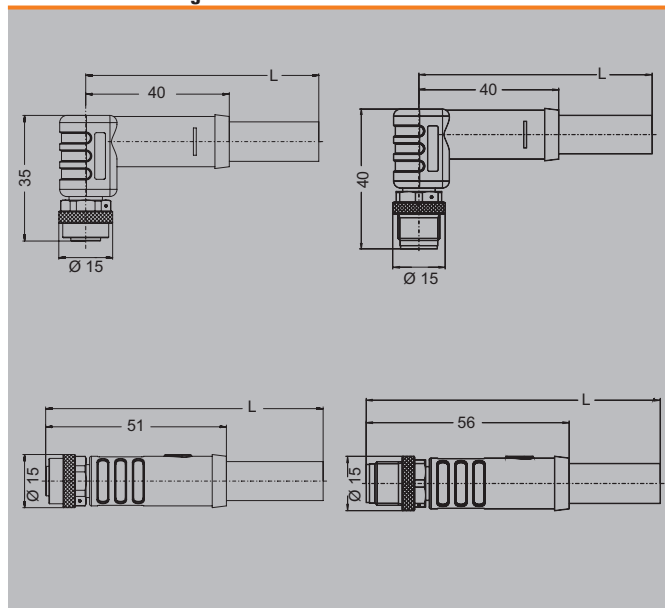
1.5 mm <sup>2</sup>	
SAIL-M12GM12G-T-1.5P	2050760150
SAIL-M12GM12G-T-3.0P	2050760300
SAIL-M12GM12G-T-5.0P	2050760500
SAIL-M12GM12G-T-10P	2050761000
1.5 mm <sup>2</sup>	
SAIL-M12GM12W-T-1.5P	2050830150
SAIL-M12GM12W-T-3.0P	2050830300
SAIL-M12GM12W-T-5.0P	2050830500
SAIL-M12GM12W-T-10P	2050831000
1.5 mm <sup>2</sup>	
SAIL-M12WM12W-T-1.5P	2050860150
SAIL-M12WM12W-T-3.0P	2050860300
SAIL-M12WM12W-T-5.0P	2050860500
SAIL-M12WM12W-T-10P	2050861000
1.5 mm <sup>2</sup>	
SAIL-M12WM12G-T-1.5P	2050820150
SAIL-M12WM12G-T-3.0P	2050820300
SAIL-M12WM12G-T-5.0P	2050820500
SAIL-M12WM12G-T-10P	2050821000

2.5 mm <sup>2</sup>	
SAIL-M12GM12G-T-1.5H	2050870150
SAIL-M12GM12G-T-3.0H	2050870300
SAIL-M12GM12G-T-5.0H	2050870500
SAIL-M12GM12G-T-10H	2050871000
2.5 mm <sup>2</sup>	
SAIL-M12GM12W-T-1.5H	2050910150
SAIL-M12GM12W-T-3.0H	2050910300
SAIL-M12GM12W-T-5.0H	2050910500
SAIL-M12GM12W-T-10H	2050911000
2.5 mm <sup>2</sup>	
SAIL-M12WM12W-T-1.5H	2050920150
SAIL-M12WM12W-T-3.0H	2050920300
SAIL-M12WM12W-T-5.0H	2050920500
SAIL-M12WM12W-T-10H	2050921000
2.5 mm <sup>2</sup>	
SAIL-M12WM12G-T-1.5H	2050890150
SAIL-M12WM12G-T-3.0H	2050890300
SAIL-M12WM12G-T-5.0H	2050890500
SAIL-M12WM12G-T-10H	2050891000

Technical data

Core cross-section	1.5 mm <sup>2</sup>
Rated voltage	63 V DC
Rated current	12 A
Temperature range of housing	-40 ... +85 °C
Contact surface	Gold-plated
Protection degree	IP67, when screwed in
AF size	13
Tightening torque	M12: 0.8 - 1.2 Nm
Approvals	CE; cULus

Dimensioned drawing

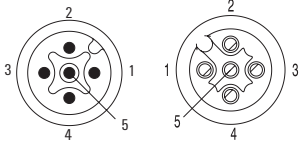






Customisable plug-in connectors

M12 screw connection  
A-coded



Male

Female

Ordering data

Male	
	4-pole. PG 11
	5-pole. PG 11
Female	
	4-pole. PG 11
	5-pole. PG 11
Note	

Technical data

Type of connection
Housing main material
Connection thread
Cable diameter
Wire cross-section, min. / max.
Rated current
Rated voltage
Temperature range of housing
Protection degree
Contact surface
Contact material
Plugging cycles
Pollution severity
Note

SAIS / SAIB



Type	Qty.	Order No.
SAIS-4/11-1.5	1	1353700000
SAIS-5/11-1.5	1	1353740000
SAIB-4/11-1.5	1	1353730000
SAIB-5/11-1.5	1	1353750000

Screw connection
PA
M12
8...10 mm (PG11)
0.14...1.5 mm <sup>2</sup>
Contacts 1-4 8A, contact 5 2A
250 V
-40 ... +85 °C
IP67
Gold-plated
CuZn
≥ 100
3
Rated current values only in conjunction with the matching mating connector.

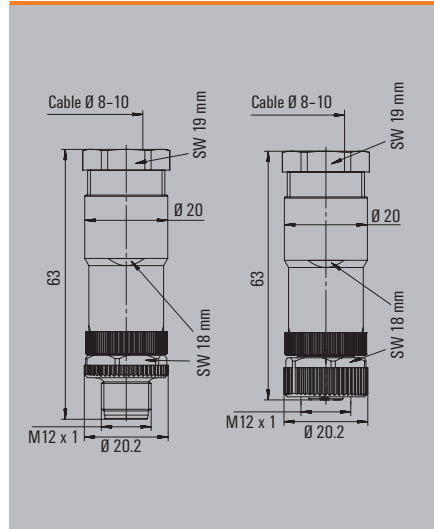
SAISW / SAIBW



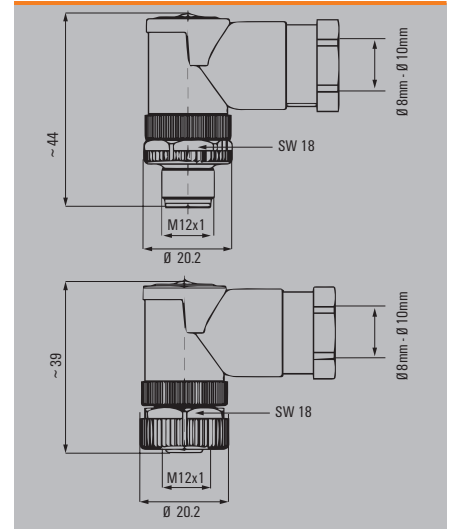
Type	Qty.	Order No.
SAISW-4/11-1.5	1	1467660000
SAISW-5/11-1.5	1	1467680000
SAIBW-4/11-1.5	1	1467670000
SAIBW-5/11-1.5	1	1467690000

Screw connection
PA
M12
8...10 mm (PG11)
0.14...1.5 mm <sup>2</sup>
Contacts 1-4 8A, contact 5 2A
250 V
-40 ... +85 °C
IP67
Gold-plated
CuZn
≥ 100
3
Rated current values only in conjunction with the matching mating connector.

Dimensioned drawing



Dimensioned drawing



**M12 screw connection**  
**S-coded**



Male



Female

**Ordering data**

<b>Male</b>	3-pole + PE
<b>Female</b>	3-pole + PE
<b>Note</b>	

**Technical data**

Type of connection	Screw connection
Housing main material	PA
Connection thread	M12
Cable diameter	8...10 mm (PG11)
Wire cross-section, min. / max.	0.14...2.5 mm <sup>2</sup>
Rated current	12 A
Rated voltage	630 V
Temperature range of housing	-40 ... +85 °C
Protection degree	IP67
Contact surface	Gold-plated
Contact material	CuZn
Plugging cycles	≥ 100
Pollution severity	3
<b>Note</b>	

**SAIS / SAIB**



Type	Qty.	Order No.
SAIS-3+PE/11-S-COD	1	1391990000
SAIB-3+PE/11-S-COD	1	1392000000

Type of connection	Screw connection
Housing main material	PA
Connection thread	M12
Cable diameter	8...10 mm (PG11)
Wire cross-section, min. / max.	0.14...2.5 mm <sup>2</sup>
Rated current	12 A
Rated voltage	630 V
Temperature range of housing	-40 ... +85 °C
Protection degree	IP67
Contact surface	Gold-plated
Contact material	CuZn
Plugging cycles	≥ 100
Pollution severity	3
<b>Note</b>	

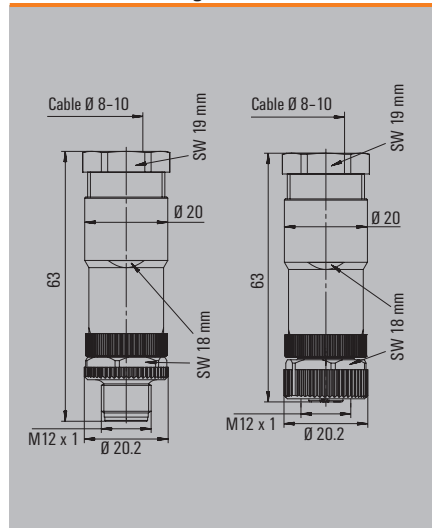
**SAISW / SAIBW**



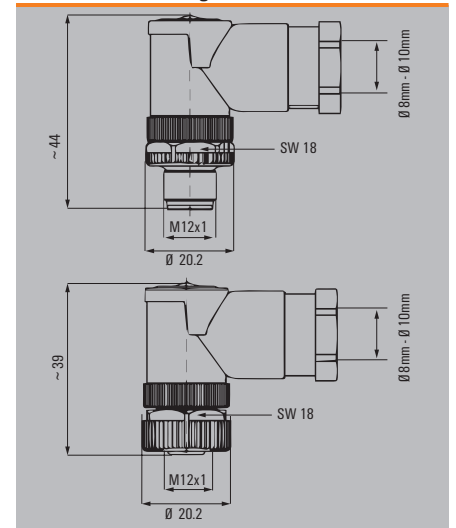
Type	Qty.	Order No.
SAISW-3+PE/11-S-COD	1	1467860000
SAIBW-3+PE/11-S-COD	1	1467870000

Type of connection	Screw connection
Housing main material	PA
Connection thread	M12
Cable diameter	8...10 mm (PG11)
Wire cross-section, min. / max.	0.14...2.5 mm <sup>2</sup>
Rated current	12 A
Rated voltage	630 V
Temperature range of housing	-40 ... +85 °C
Protection degree	IP67
Contact surface	Gold-plated
Contact material	CuZn
Plugging cycles	≥ 100
Pollution severity	3
<b>Note</b>	

**Dimensioned drawing**

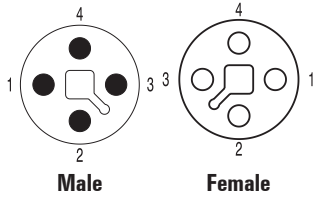


**Dimensioned drawing**



Customisable plug-in connectors

M12 screw connection  
T-coded



SAIS / SAIB



SAISW / SAIBW



Ordering data

Male	4-pole, PG 11
Female	4-pole, PG 11
Note	

Type	Qty.	Order No.
SAIS-4/11-T-COD	1	1391970000
SAIB-4/11-T-COD	1	1391980000

Type	Qty.	Order No.
SAISW-4/11-T-COD	1	1467880000
SAIBW-4/11-T-COD	1	1467890000

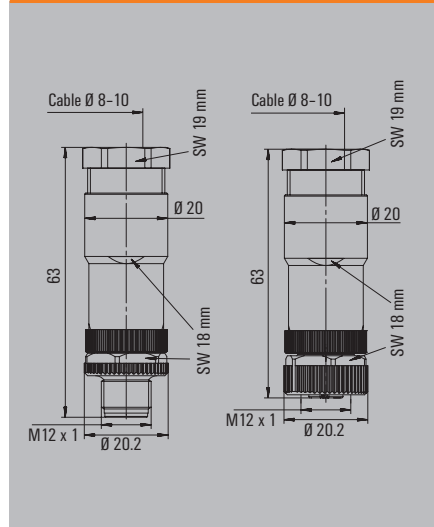
Technical data

Type of connection	Screw connection
Housing main material	PA
Connection thread	M12
Cable diameter	8...10 mm (PG11)
Wire cross-section, min. / max.	0.14...2.5 mm <sup>2</sup>
Rated current	12 A
Rated voltage	60 V
Temperature range of housing	-40 ... +85 °C
Protection degree	IP67, when screwed in
Contact surface	Gold-plated
Contact material	CuZn
Plugging cycles	≥ 100
Pollution severity	3
Note	

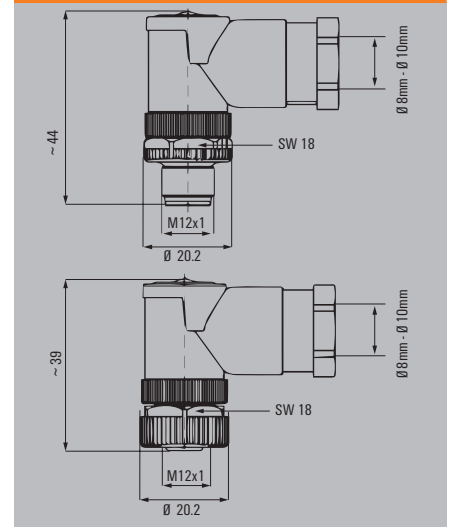
Type of connection	Screw connection
Housing main material	PA
Connection thread	M12
Cable diameter	8...10 mm (PG11)
Wire cross-section, min. / max.	0.14...1.5 mm <sup>2</sup>
Rated current	12 A
Rated voltage	60 V
Temperature range of housing	-40 ... +85 °C
Protection degree	IP67, when screwed in
Contact surface	Gold-plated
Contact material	CuZn
Plugging cycles	≥ 100
Pollution severity	3
Note	

Type of connection	Screw connection
Housing main material	PA
Connection thread	M12
Cable diameter	8...10 mm (PG11)
Wire cross-section, min. / max.	0.14...1.5 mm <sup>2</sup>
Rated current	12 A
Rated voltage	60 V
Temperature range of housing	-40 ... +85 °C
Protection degree	IP67, when screwed in
Contact surface	Gold-plated
Contact material	CuZn
Plugging cycles	≥ 100
Pollution severity	3
Note	

Dimensioned drawing

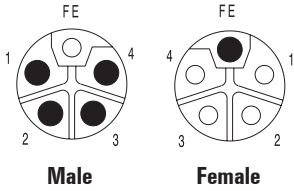


Dimensioned drawing





**M12 screw connection**  
**L-coded**



**SAIS / SAIB**



**SAISW / SAIBW**



**Ordering data**

Male	Qty.	Order No.
4-pole	1	2703510000
Female	4-pole	2703520000
Note		

Type	Qty.	Order No.
SAIS-4+FE/8-13-L-COD	1	2703510000
SAIB-4+FE/8-13-L-COD	1	2703520000
Note		

Type	Qty.	Order No.
SAISW-4+FE/8-13-L-COD	1	2768330000
SAIBW-4+FE/8-13-L-COD	1	2768340000
Note		

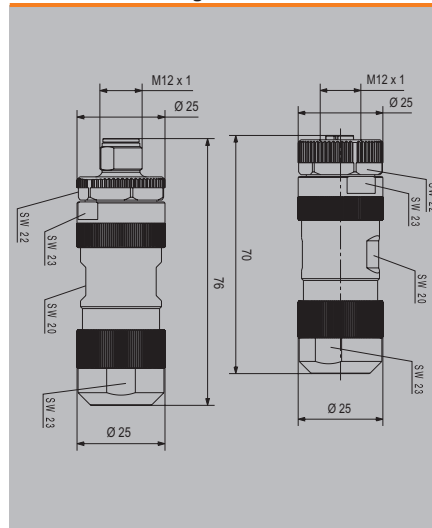
**Technical data**

Type of connection	PA
Housing main material	PA
Connection thread	M12
Cable diameter	8...13 mm
Wire cross-section, min. / max.	2.5 mm <sup>2</sup>
Rated current	16 A
Rated voltage	63 V
Temperature range of housing	-40 ... +85 °C
Protection degree	IP67
Contact surface	Au (Gold)
Contact material	CuZn
Plugging cycles	≥ 100
Pollution severity	3
Note	

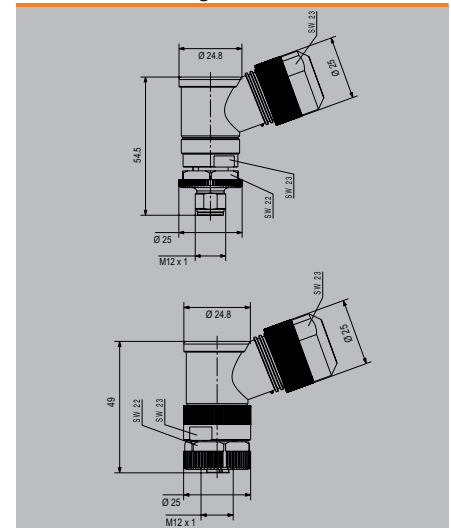
Type of connection	PA
Housing main material	PA
Connection thread	M12
Cable diameter	8...13 mm
Wire cross-section, min. / max.	2.5 mm <sup>2</sup>
Rated current	16 A
Rated voltage	63 V
Temperature range of housing	-40 ... +85 °C
Protection degree	IP67
Contact surface	Au (Gold)
Contact material	CuZn
Plugging cycles	≥ 100
Pollution severity	3
Note	

Type of connection	PA
Housing main material	PA
Connection thread	M12
Cable diameter	8...13 mm
Wire cross-section, min. / max.	2.5 mm <sup>2</sup>
Rated current	16 A
Rated voltage	63 V
Temperature range of housing	-40 ... +85 °C
Protection degree	IP67
Contact surface	Au (Gold)
Contact material	CuZn
Plugging cycles	≥ 100
Pollution severity	3
Note	

**Dimensioned drawing**

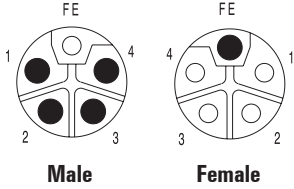


**Dimensioned drawing**



Customisable plug-in connectors

M12 screw connection  
K-coded



SAIS / SAIB



SAISW / SAIBW



Ordering data

Male	4-pole
Female	4-pole
Note	

Type	Qty.	Order No.
SAIS-4+PE/8-13-K-COD	1	2703490000
SAIB-4+PE/8-13-K-COD	1	2703500000

Type	Qty.	Order No.
SAISW-4+PE/8-13-K-COD	1	2812430000
SAIBW-4+PE/8-13-K-COD	1	2812420000

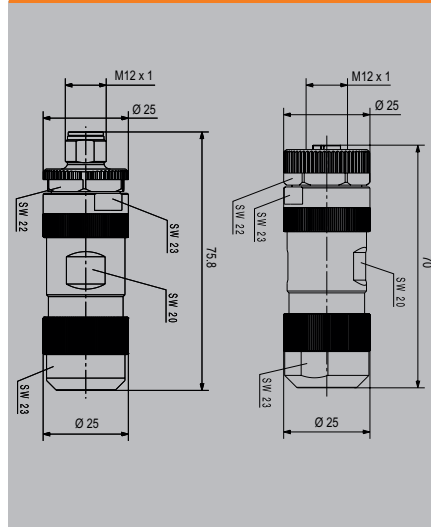
Technical data

Type of connection	PA
Housing main material	M12
Connection thread	8...13 mm
Cable diameter	2.5 mm <sup>2</sup>
Wire cross-section, min. / max.	12 A
Rated current	630 V
Rated voltage	-40 ... +85 °C
Temperature range of housing	IP67
Protection degree	Au (Gold)
Contact surface	CuZn
Contact material	≥ 100
Plugging cycles	3
Pollution severity	
Note	

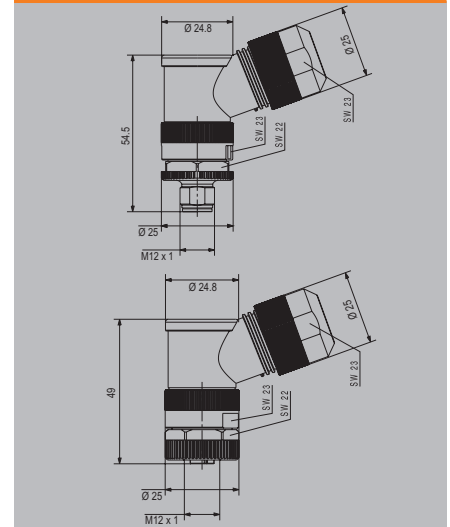
Type of connection	PA
Housing main material	M12
Connection thread	8...13 mm
Cable diameter	2.5 mm <sup>2</sup>
Wire cross-section, min. / max.	12 A
Rated current	630 V
Rated voltage	-40 ... +85 °C
Temperature range of housing	IP67
Protection degree	Au (Gold)
Contact surface	CuZn
Contact material	≥ 100
Plugging cycles	3
Pollution severity	
Note	

Type of connection	PA
Housing main material	M12
Connection thread	8...13 mm
Cable diameter	2.5 mm <sup>2</sup>
Wire cross-section, min. / max.	12 A
Rated current	630 V
Rated voltage	-40 ... +85 °C
Temperature range of housing	IP67
Protection degree	Au (Gold)
Contact surface	CuZn
Contact material	≥ 100
Plugging cycles	3
Pollution severity	
Note	

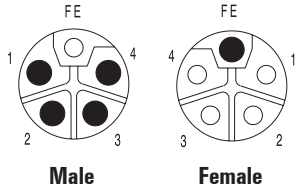
Dimensioned drawing



Dimensioned drawing



**Insulation displacement connection M12  
with shield connection  
L-Coded**



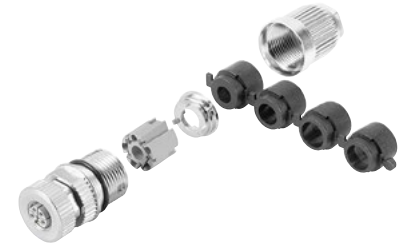
**SAIS**

Male



**SAIB**

Female



**Ordering data**

Type	Qty.	Order No.
SAIS-M-5S-IDC-M12-L-COD	1	2530750000

Note: 5-pole

**Technical data**

Type of connection	Insulation displacement connection (IDC)
Housing main material	Zinc diecast
Connection thread	M12 plug
Cable diameter	5.8...13.5 mm
Wire cross-section, min. / max.	0.75...1.5 mm <sup>2</sup>
Rated current	12 A
Rated voltage	63 V
Temperature range of housing	-40 ... +85 °C
Protection degree	IP67, when screwed in
Contact surface	Au (Gold)
Contact material	Cu
Plugging cycles	500
Pollution severity	3

Note

Type	Qty.	Order No.
SAIB-M-5S-IDC-M12-L-COD	1	2530760000

Type of connection	Insulation displacement connection (IDC)
Housing main material	Zinc diecast
Connection thread	M12 socket
Cable diameter	5.8...13.5 mm
Wire cross-section, min. / max.	0.75...1.5 mm <sup>2</sup>
Rated current	12 A
Rated voltage	63 V
Temperature range of housing	-40 ... +85 °C
Protection degree	IP67, when screwed in
Contact surface	Au (Gold)
Contact material	Cu
Plugging cycles	500
Pollution severity	3

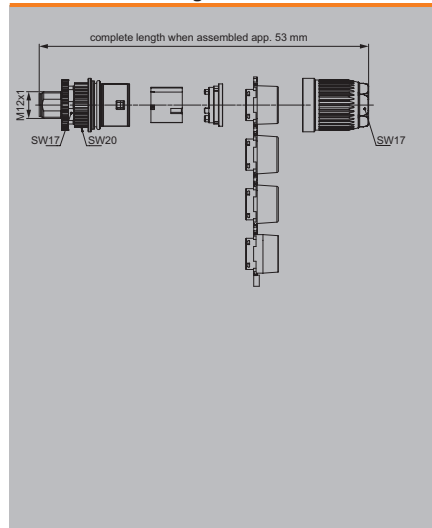
Note

Type	Qty.	Order No.
SAIB-M-5S-IDC-M12-L-COD	1	2530760000

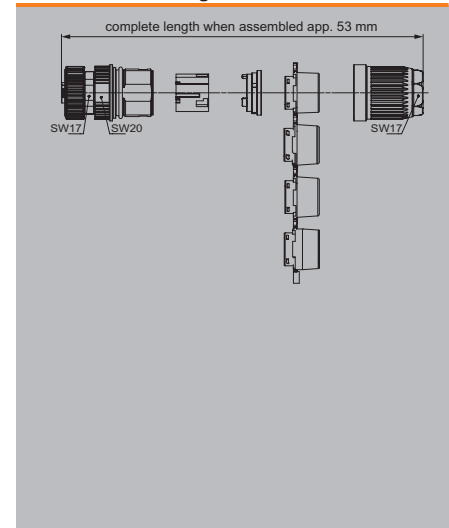
Type of connection	Insulation displacement connection (IDC)
Housing main material	Zinc diecast
Connection thread	M12 socket
Cable diameter	5.8...13.5 mm
Wire cross-section, min. / max.	0.75...1.5 mm <sup>2</sup>
Rated current	12 A
Rated voltage	63 V
Temperature range of housing	-40 ... +85 °C
Protection degree	IP67, when screwed in
Contact surface	Au (Gold)
Contact material	Cu
Plugging cycles	500
Pollution severity	3

Note

**Dimensioned drawing**

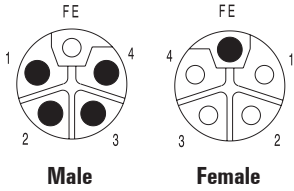


**Dimensioned drawing**



Customisable plug-in connectors

**Crimp connection M12 with shield connection L-Coded**



**SAIS**

Male



**SAIB**

Female



**Ordering data**

	5-pole
<b>Note</b>	

**Technical data**

Type of connection
Housing main material
Connection thread
Cable diameter
Wire cross-section, min. / max.
Rated current
Rated voltage
Temperature range of housing
Protection degree
Contact surface
Contact material
Plugging cycles
Pollution severity
<b>Note</b>

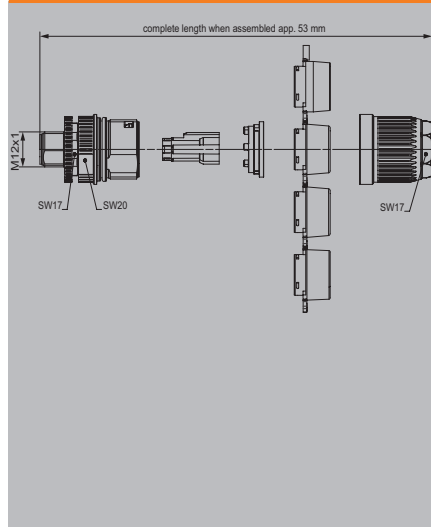
Type	Qty.	Order No.
SAISC-M-5S-M12-L-COD	1	2531020000
Contacts need to be order separately		

Crimp connection
Zinc diecast
M12 plug
5.8...13.5 mm
0.5...2.5 mm <sup>2</sup>
16 A
63 V
-40 ... +85 °C
IP67, when screwed in
Gold-plated
Cu
500
3

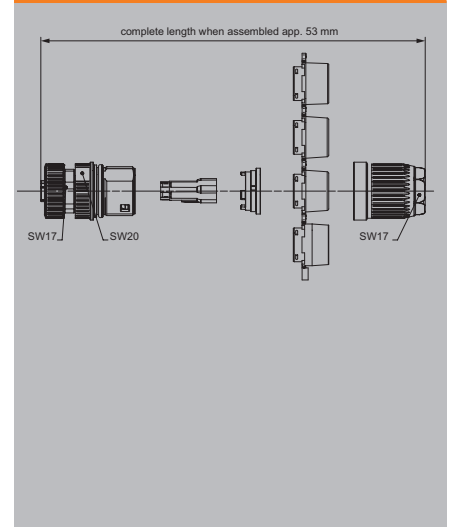
Type	Qty.	Order No.
SAIBC-M-5S-M12-L-COD	1	2525620000
Contacts need to be order separately		

Crimp connection
Zinc diecast
M12 socket
5.8...13.5 mm
0.5...2.5 mm <sup>2</sup>
16 A
63 V
-40 ... +85 °C
IP67, when screwed in
Gold-plated
Cu
500
3

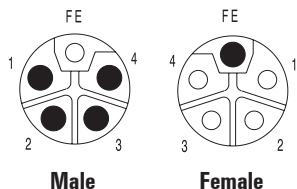
**Dimensioned drawing**



**Dimensioned drawing**



**Crimp contacts M12  
for L-Coded connectors**



**Ordering data**

Male	
	0.5 mm <sup>2</sup>
	0.75 mm <sup>2</sup>
	1.5 mm <sup>2</sup>
	2.5 mm <sup>2</sup>
Female	
	0.5 mm <sup>2</sup>
	0.75 mm <sup>2</sup>
	1.5 mm <sup>2</sup>
	2.5 mm <sup>2</sup>
Note	

**Technical data**

Type of connection	
Housing main material	
Connection thread	
Cable diameter	
Wire cross-section, min. / max.	
Rated current	
Rated voltage	
Temperature range of housing	
Protection degree	
Contact surface	
Contact material	
Plugging cycles	
Pollution severity	
Note	

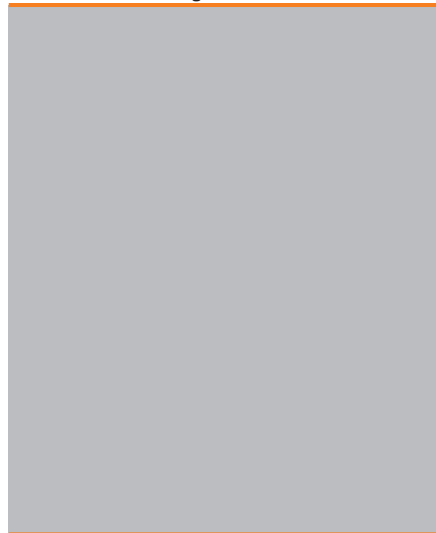
**SAI-KSC/KBC**



Type	Qty.	Order No.
SAH-M12L-KSC-0.5	50	2530920000
SAH-M12L-KSC-0.75	50	2530930000
SAH-M12L-KSC-1.5	50	2530940000
SAH-M12L-KSC-2.5	50	2530950000
SAH-M12L-KBC-0.5	50	2530990000
SAH-M12L-KBC-0.75	50	2531000000
SAH-M12L-KBC-1.5	50	2531010000
SAH-M12L-KBC-2.5	50	2525650000
Crimping tool 9018490000		

Crimp connection	
63 V	
Gold-plated	
Cu	
500	
3	
Note	

**Dimensioned drawing**



**SAI-KSC-FE**

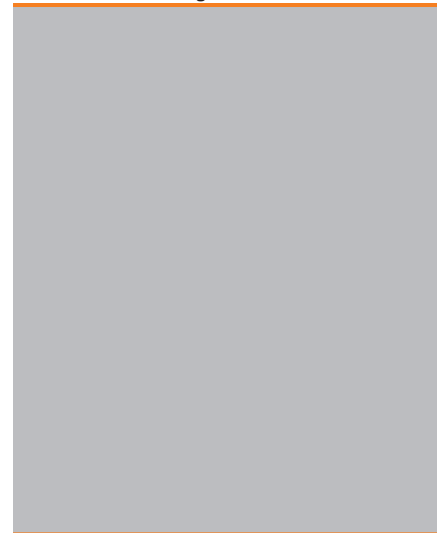
FE Contact



Type	Qty.	Order No.
SAI-M12L-KSC-0.5FE	50	2530960000
SAI-M12L-KSC-0.75FE	50	2530970000
SAI-M12L-KSC-1.5FE	50	2530980000
SAI-M12L-KSC-2.5FE	50	2525660000
Crimping tool 9018490000		

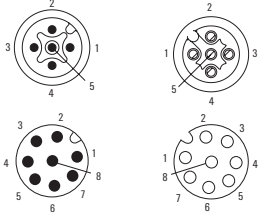
Crimp connection	
63 V	
Gold-plated	
Cu	
500	
3	
Note	

**Dimensioned drawing**



Customisable panel feed-through

M12 screw connection  
A-coded



Male

Female

Ordering data

		4-pole		5-pole		8-pole	
<b>Male</b>	4-pole	SAIS-WDF-4-M20	1383020000				
	5-pole			SAIS-WDF-5-M20	1383030000		
	8-pole					SAIS-WDF-8-M20	1383040000
<b>Female</b>	4-pole	SAIB-WDF-4-M20	1383050000				
	5-pole			SAIB-WDF-5-M20	1383070000		
	8-pole					SAIB-WDF-8-M20	1383080000
<b>Note</b>		Rated current values only in conjunction with the matching mating connector.		Rated current values only in conjunction with the matching mating connector.		Rated current values only in conjunction with the matching mating connector.	

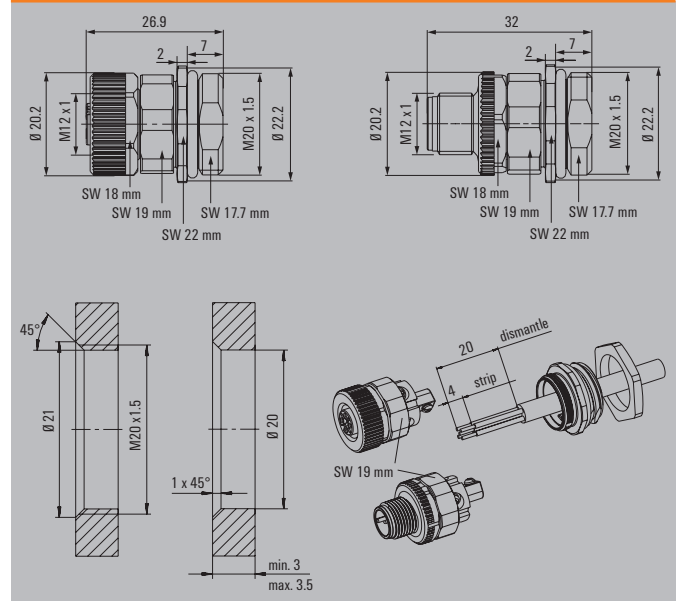
Standard cable lengths

All cables listed in the ordering data have a length of 1.5 metres. The last four ordering digits must be changed when ordering other standard cable lengths.	1.5 m	xxxxxx0150
	3.0 m	xxxxxx0300
	5.0 m	xxxxxx0500
	10.0 m	xxxxxx1000

Technical data

Type of connection	Screw connection
Housing main material	Zinc diecast
Connection thread	M12
Wire cross-section, min. / max.	0.14...1.5 mm <sup>2</sup>
Rated current	Contacts 1-4 8A, contact 5 2A, 2 A (8-pole)
Rated voltage	250 V (4-pole) / 60 V (5-pole) / 30 V (8-pole)
Temperature range of housing	-40 ... +85 °C
Protection degree	IP67
Contact surface	Gold-plated
Contact material	CuZn
Plugging cycles	≥ 100
Pollution severity	3
Cable glands	M 20

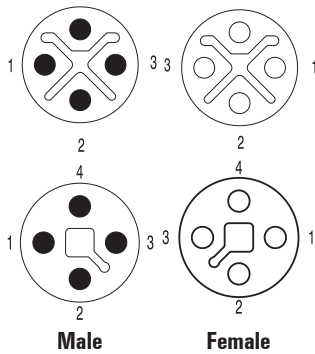
Dimensioned drawing



M12 screw connection

S-coded

T-coded



SAIS / SAIB

S-coded



SAIS / SAIB

T-coded



Ordering data

Male	4-pole
Female	4-pole
Note	

Type	Qty.	Order No.
SAIS-WDF-3+PE-M20-S-COD	1	1460290000
SAIB-WDF-3+PE-M20-S-COD	1	1460300000

Type	Qty.	Order No.
SAIS-WDF-4-M20-T-COD	1	1392710000
SAIB-WDF-4-M20-T-COD	1	1392720000

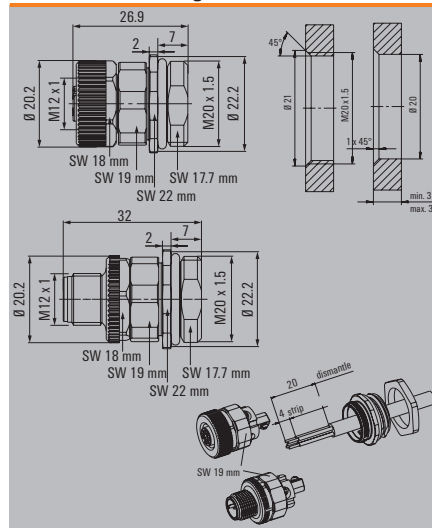
Technical data

Type of connection	
Housing main material	
Connection thread	
Cable diameter	
Wire cross-section, min. / max.	
Rated current	
Rated voltage	
Temperature range of housing	
Protection degree	
Contact surface	
Contact material	
Plugging cycles	
Pollution severity	
Cable glands	
Note	

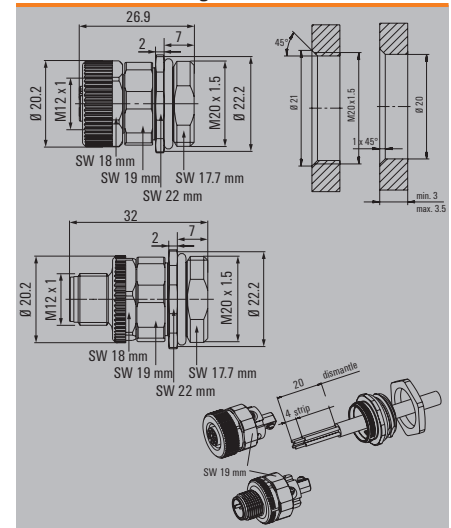
Screw connection	
Plastic	
M12	
0.14...1.5 mm <sup>2</sup>	
12 A	
630 V	
-40 ... +85 °C	
IP67	
Gold-plated	
CuZn	
≥ 100	
3	
M 20	

Screw connection	
Zinc diecast	
M12	
0.14...1.5 mm <sup>2</sup>	
12 A	
60 V	
-40 ... +85 °C	
IP67	
Gold-plated	
CuZn	
≥ 100	
3	
M 20	

Dimensioned drawing



Dimensioned drawing

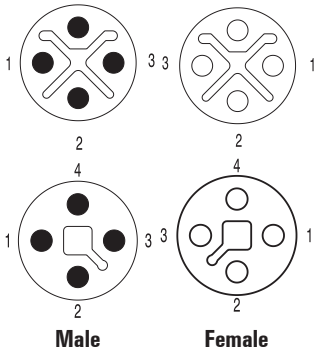


**Panel feed-through**

**M12 Panel feed-through**

**S-coded**

**T-coded**



**SAI-WDF**

**S-coded**



**SAI-WDF**

**T-coded**



**Ordering data**

	4-pole
<b>Note</b>	

Type	Qty.	Order No.
SAI-WDF-M12-4P-S-COD-M16	1	<b>2830770000</b>

Type	Qty.	Order No.
SAI-WDF-M12-4P-T-COD-M16	1	<b>2830780000</b>

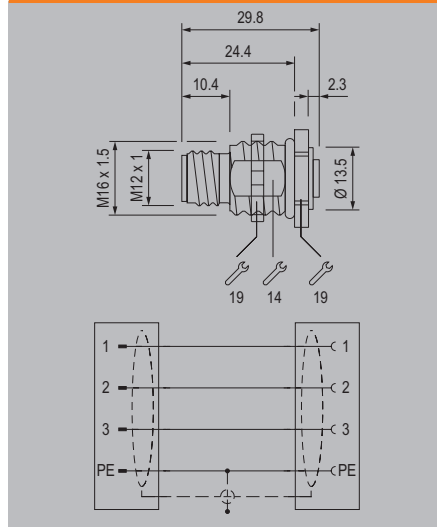
**Technical data**

Type of connection
Housing main material
Connection thread
Cable diameter
Wire cross-section, min. / max.
Rated current
Rated voltage
Temperature range of housing
Protection degree
Contact surface
Contact material
Plugging cycles
Pollution severity
Cable glands
<b>Note</b>

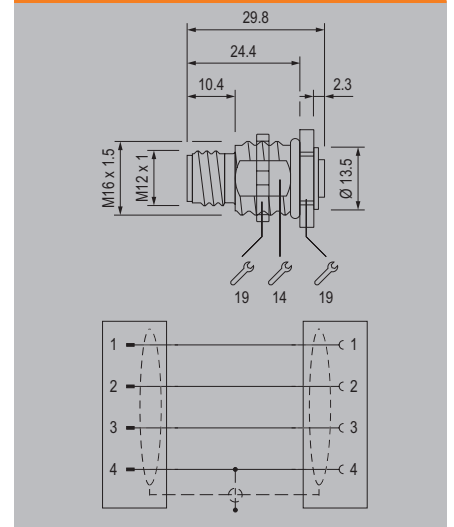
Plug / socket, when screwed in
CuZn, nickel-plated
M12 plug, M12 socket
12 A
600 V
-25...+85 °C
IP65, IP67, IP68
Gold-plated
CuZn
≥ 100
3
M 12

Plug / socket, when screwed in
CuZn, nickel-plated
M12 socket, M12 plug
12 A
63 V
-25...+85 °C
IP65, IP67, IP68
Gold-plated
CuZn
≥ 100
3
M 12

**Dimensioned drawing**



**Dimensioned drawing**

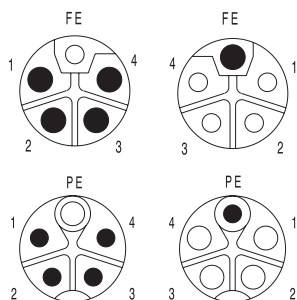




M12 Panel feed-through

K-coded

L-coded



Male

Female

Ordering data

	4-pole
<b>Note</b>	

Technical data

Type of connection	4-pole
Housing main material	
Connection thread	
Cable diameter	
Wire cross-section, min. / max.	
Rated current	
Rated voltage	
Temperature range of housing	
Protection degree	
Contact surface	
Contact material	
Plugging cycles	
Pollution severity	
Cable glands	
<b>Note</b>	

SAI-WDF

L-coded



SAI-WDF

K-coded



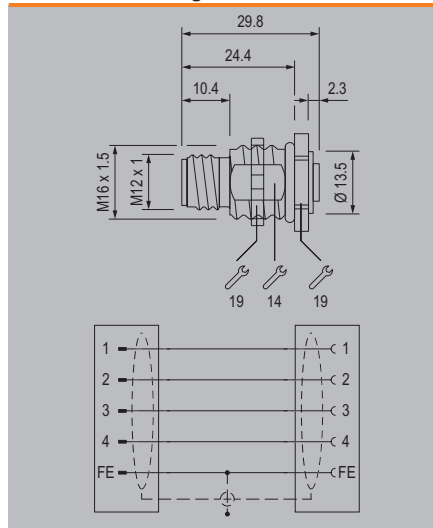
Type	Qty.	Order No.
SAI-WDF-M12-5P-L-COD-M16	1	2830800000

Plug / socket, when screwed in	
CuZn, nickel-plated	
M12 socket, M12 plug	
<b>16 A</b>	
<b>63 V</b>	
<b>-25...+85 °C</b>	
<b>IP65, IP67, IP68</b>	
<b>Gold-plated</b>	
<b>CuZn</b>	
<b>≥ 100</b>	
<b>3</b>	
<b>M 12</b>	

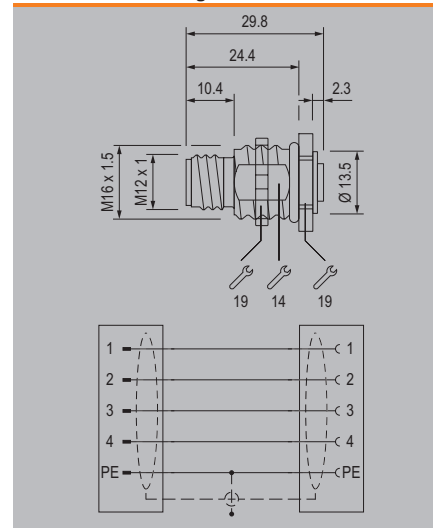
Type	Qty.	Order No.
SAI-WDF-M12-5P-K-COD-M16	1	2830790000

Plug / socket, when screwed in	
CuZn, nickel-plated	
M12 socket, M12 plug	
<b>12 A</b>	
<b>600 V</b>	
<b>-25...+85 °C</b>	
<b>IP65, IP67, IP68</b>	
<b>Gold-plated</b>	
<b>CuZn</b>	
<b>≥ 100</b>	
<b>3</b>	
<b>M 12</b>	

Dimensioned drawing

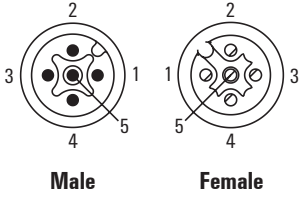


Dimensioned drawing



**Built-in plug**

**A-coded  
Front panel mounting**



**M12 Screw-in thread**

Mounting thread PG9



**Ordering data**

Male	
	4-pole
	5-pole
Female	
	4-pole
	5-pole
Note	

Type	Qty.	Order No.
SAIE-M12S-4-0.2U P9 .75	1	1353770000
SAIE-M12S-5-0.2U P9 .75	1	1353790000
SAIE-M12B-4-0.2U P9 .75	1	1353780000
SAIE-M12B-5-0.2U P9 .75	1	1353800000

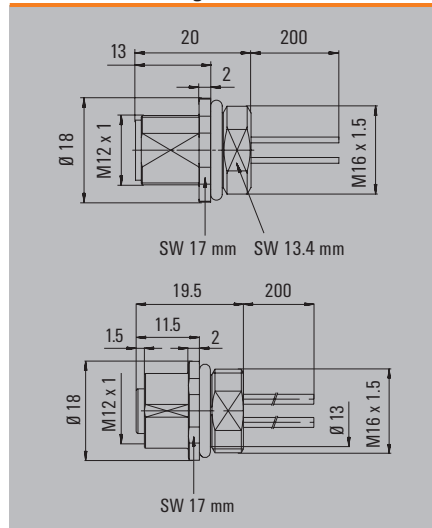
Rated current values only in conjunction with the matching mating connector.

**Technical data**

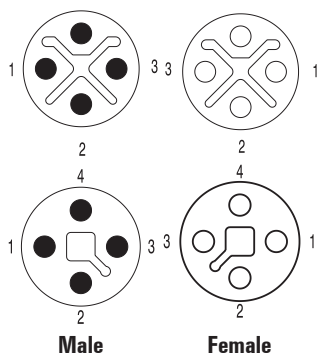
Mounting thread	PG 9
Housing main material	Zinc diecast
Connection thread	M12
Wire cross section	AWG 18
Rated current	Contacts 1-4 8A, contact 5 2A
Rated voltage	250 V (4-pole) / 60 V (5-pole)
Temperature range of housing	-40 ... +85 °C
Protection degree	IP67, when screwed in
Contact surface	Gold-plated
Note	

Mounting thread	PG 9
Housing main material	Zinc diecast
Connection thread	M12
Wire cross section	AWG 18
Rated current	Contacts 1-4 8A, contact 5 2A
Rated voltage	250 V (4-pole) / 60 V (5-pole)
Temperature range of housing	-40 ... +85 °C
Protection degree	IP67, when screwed in
Contact surface	Gold-plated
Note	

**Dimensioned drawing**



S-coded  
T-coded  
Front panel mounting



Ordering data

Male	
	4-pole, 0.2 m
	4-pole, 0.5 m
Female	
	4-pole, 0.2 m
	4-pole, 0.5 m
Note	

Technical data

Mounting thread	M 16
Housing main material	Brass, nickel-plated
Connection thread	M12
Wire cross section	AWG 16
Rated current	12 A
Rated voltage	630 V
Temperature range of housing	-40 ... +85 °C
Protection degree	IP67, when screwed in
Contact surface	Gold-plated
Note	

M12 Screw-in thread

Mounting thread M16



Type	Qty.	Order No.
SAIE-M12S-3+PE-S-0.2U-M16	1	1467930000
SAIE-M12S-3+PE-S-0.5U-M16	1	1460320000
SAIE-M12B-3+PE-S-0.2U-M16	1	1467940000
SAIE-M12B-3+PE-S-0.5U-M16	1	1460310000

Mounting thread	M 16
Housing main material	Brass, nickel-plated
Connection thread	M12
Wire cross section	AWG 16
Rated current	12 A
Rated voltage	630 V
Temperature range of housing	-40 ... +85 °C
Protection degree	IP67, when screwed in
Contact surface	Gold-plated
Note	

M12 Screw-in thread

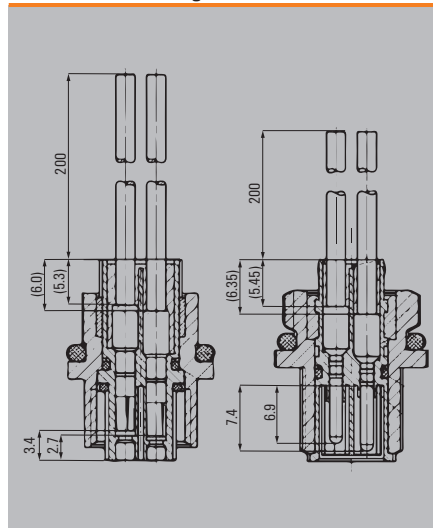
Mounting thread M16



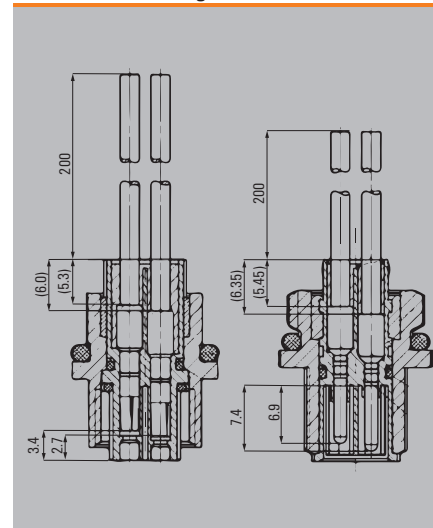
Type	Qty.	Order No.
SAIE-M12S-4-T-0.2U-M16	1	1467950000
SAIE-M12S-4-T-0.5U-M16	1	1460340000
SAIE-M12B-4-T-0.2U-M16	1	1467960000
SAIE-M12B-4-T-0.5U-M16	1	1460330000

Mounting thread	M 16
Housing main material	Zinc diecast
Connection thread	M12
Wire cross section	AWG 16
Rated current	12 A
Rated voltage	630 V
Temperature range of housing	-40 ... +85 °C
Protection degree	IP67, when screwed in
Contact surface	Gold-plated
Note	

Dimensioned drawing

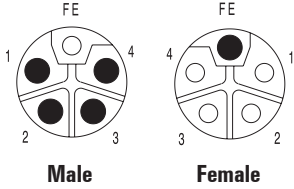


Dimensioned drawing



**Built-in plug**

**L-Coded**  
**Front panel mounting**  
**Back panel mounting**



**M12 Front panel mounting**

Mounting thread M16



**M12 Back panel mounting**

Mounting thread M16



**Ordering data**

Male	
	1.5 mm <sup>2</sup> , 0.3 m
	2.5 mm <sup>2</sup> , 0.3 m
Female	
	1.5 mm <sup>2</sup> , 0.3 m
	2.5 mm <sup>2</sup> , 0.3 m
Note	

Type	Qty.	Order No.
SAIE-M12SL-0.3VFM16-1.5	1	2530770000
SAIE-M12SL-0.3VFM16-2.5	1	2530790000
SAIE-M12BL-0.3VFM16-1.5	1	2530780000
SAIE-M12BL-0.3VFM16-2.5	1	2530800000

Type	Qty.	Order No.
SAIE-M12SL-0.3VHM16-1.5	1	2625950000
SAIE-M12SL-0.3VHM16-2.5	1	2625960000
SAIE-M12BL-0.3VHM16-1.5	1	2625940000
SAIE-M12BL-0.3VHM16-2.5	1	2625970000

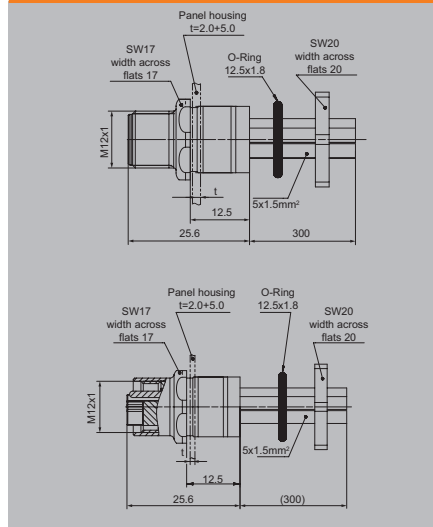
**Technical data**

Mounting thread
Housing main material
Connection thread
Core cross-section
Rated current
Rated voltage
Temperature range of housing
Protection degree
Contact surface
Note

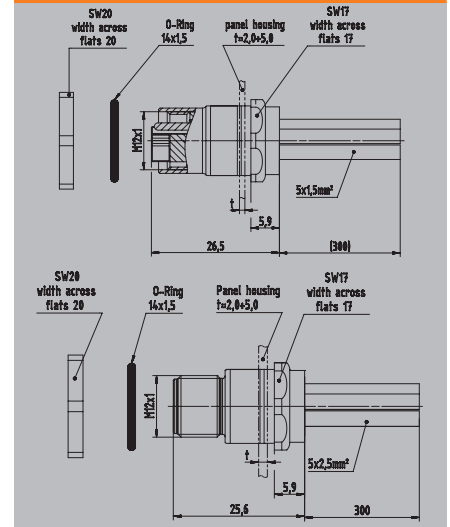
M 16
Zinc diecast
M12
1.5 mm <sup>2</sup>
16 A
63 V
-40 ... +85 °C
IP67, when screwed in
Gold-plated

M 16
Zinc diecast
M12
1.5 mm <sup>2</sup>
16 A
63 V
-40 ... +85 °C
IP67, when screwed in
Gold-plated

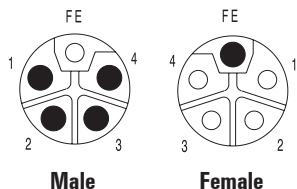
**Dimensioned drawing**



**Dimensioned drawing**



Dip solder with shield connection L-Coded



M12 Front panel mounting

Mounting thread M16



M12 Back panel mounting

Mounting thread M16



Ordering data

Male	5-pole
Female	5-pole
Note	

Type	Qty.	Order No.
SAIE-M12SL-5S-F12TL-M16	1	2530880000
SAIE-M12BL-5S-F12TL-M16	1	2530890000

Type	Qty.	Order No.
SAIE-M12SL-5S-H11TL-M16	1	2530900000
SAIE-M12BL-5S-H11TL-M16	1	2530910000

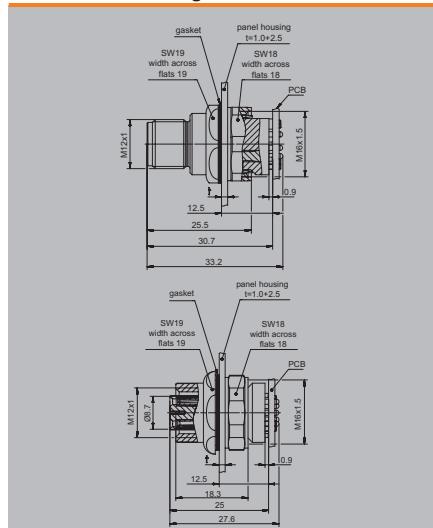
Technical data

Mounting thread
Housing main material
Connection thread
Type of mounting
Rated current
Rated voltage
Temperature range of housing
Protection degree
Contact surface
Note

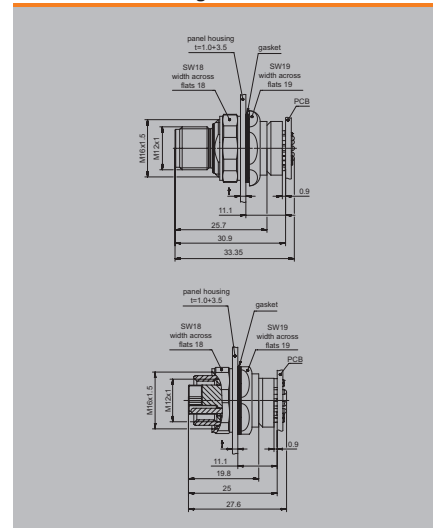
M 16
PA
M12
Frontpanel mounting
16 A
63 V
-40 ... +85 °C
IP67, when screwed in
Gold over nickel

M 16
PA
M12
Backpanel mouting
16 A
63 V
-40 ... +85 °C
IP67, when screwed in
Gold over nickel

Dimensioned drawing

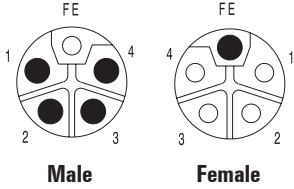


Dimensioned drawing



**Device connector**

**Dome  
Flange housing  
L-Coded**



**M12(M16)**

Dome



**M12(M16)**

Flange housing



**Ordering data**

Male	
	5-pole
	Front mounting
	Back panel mounting
Female	
	5-pole
	Front mounting
	Back panel mounting
Note	

Type	Qty.	Order No.
SAID-M12SL-5-SMT	60	2530810000
SAID-M12BL-5-SMT	60	2530820000
Note		

Type	Qty.	Order No.
SAIFG-M12SL-F12-M16	60	2530830000
SAIFG-M12SL-H11-M16	60	2530850000
SAIFG-M12BL-F12-M16	60	2530840000
SAIFG-M12BL-H11-M16	60	2530870000
Note		

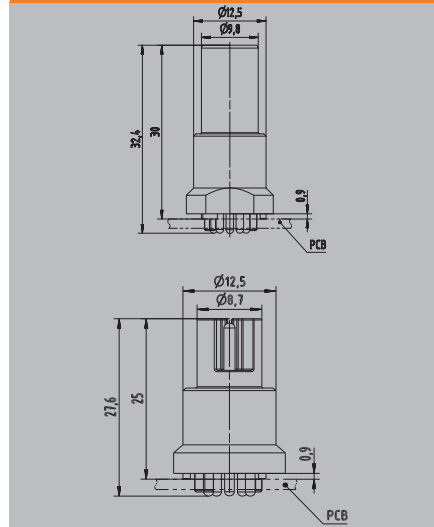
**Technical data**

Mounting thread
Housing main material
Connection thread
Type of mounting
Rated current
Rated voltage
Temperature range of housing
Protection degree
Contact surface
Note

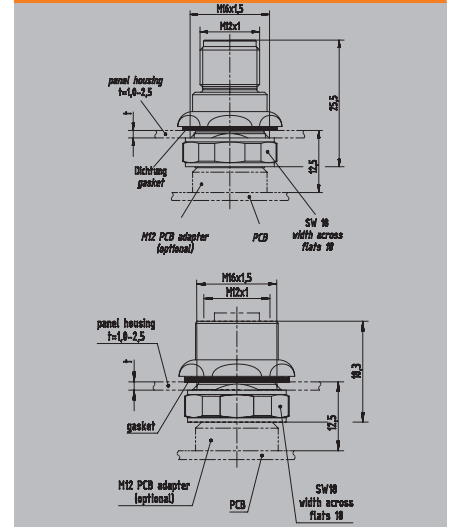
M 16
PA
M12
16 A
63 V
-40 ... +85 °C
IP67, when fully mounted
Gold over nickel
Note

M 16
Zinc diecast
M12
Frontpanel mounting
63 V
-40 ... +85 °C
IP67, when screwed in
Gold over nickel
Note

**Dimensioned drawing**



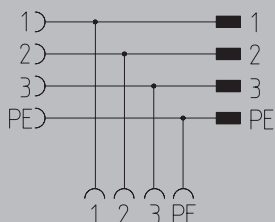
**Dimensioned drawing**



T, h and H distributors  
S- and T-coded

M12

T-Distributor, S-coded

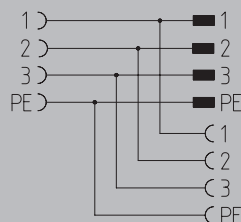


Ordering data

Type	Qty.	Order No.
SAIT-M12-S	1	2616430000

M12

h-Distributor, S-coded

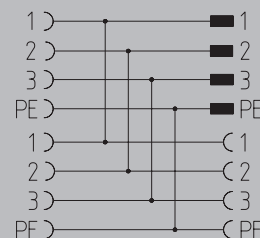


Ordering data

Type	Qty.	Order No.
SAIH3-M12-S	1	2616410000

M12

H-Distributor, S-coded

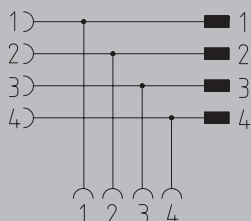


Ordering data

Type	Qty.	Order No.
SAIH4-M12-S	1	2616350000

M12

T-Distributor, T-coded

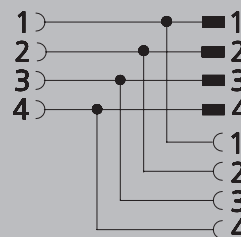


Ordering data

Type	Qty.	Order No.
SAIT-M12-T	1	2616440000

M12

h-Distributor, T-coded

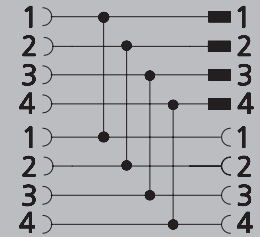


Ordering data

Type	Qty.	Order No.
SAIH3-M12-T	1	2616420000

M12

H-Distributor, T-coded



Ordering data

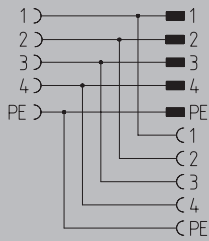
Type	Qty.	Order No.
SAIH4-M12-T	1	2439350000

T, h and H distributors

T, h and H distributors  
K- and L-coded

M12

T-Distributor, K-coded

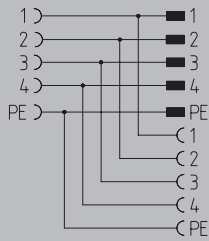


Ordering data

Type	Qty.	Order No.
SAI-T-M12-K	1	2616500000

M12

h-Distributor, K-coded

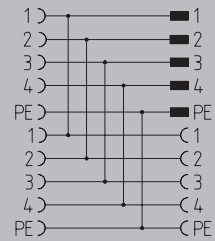


Ordering data

Type	Qty.	Order No.
SAIH3-M12-K	1	2616480000

M12

H-Distributor, K-coded

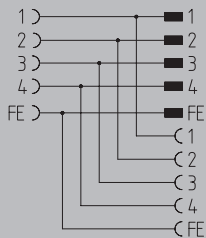


Ordering data

Type	Qty.	Order No.
SAIH4-M12-K	1	2616460000

M12

T-Distributor, L-coded

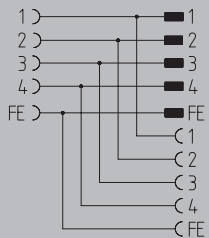


Ordering data

Type	Qty.	Order No.
SAI-T-M12-L	1	2616490000

M12

h-Distributor, L-coded

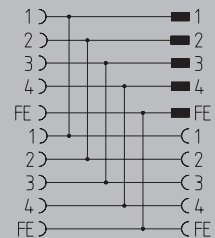


Ordering data

Type	Qty.	Order No.
SAIH3-M12-L	1	2616470000

M12

H-Distributor, L-coded



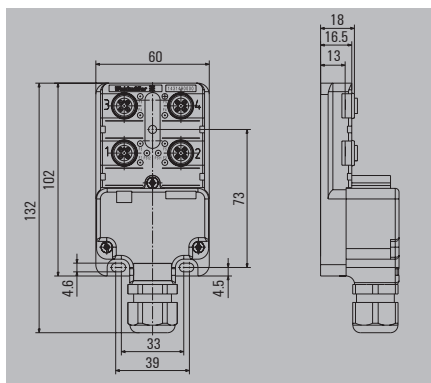
Ordering data

Type	Qty.	Order No.
SAIH4-M12-L	1	2616450000



**Hood version**  
**T-coded**

**SAI-M-4-SVV-M12**



**T-coding**



**Pin**      **Socket connector**

**Ordering data**

	4 plug-in stations
<b>Note</b>	

**SAI-M-4-SVV-M12**

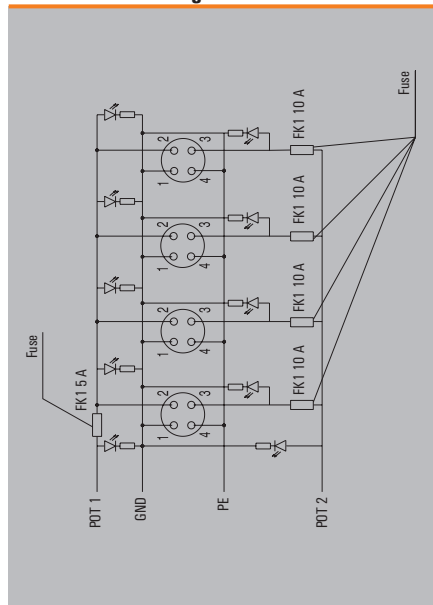
**4-pole**

Type	Qty.	Order No.
SAI-4-M-4P-M12-SW	1	1431490000

**Technical data**

Operating voltage	10...30 V
Current of continuous busbars	10 A
Max. current-carrying capacity per slot	10 A
Total current	32 A
Pollution severity	3
Protection degree	IP68
Ambient temperature range	-20...80 °C
Housing main material	Pocan
Contact carrier material	PBT (UL 94 V0)
Base material of contacts	CuZn
Screw socket	Nickel-plated CuZn
Housing colour	grey, RAL 7032
Flammability class UL 94	V-0
Clamping range of hood-version	0.5...4 mm <sup>2</sup>
Suitable for dragline cable (fixed cable connection)	No
Approvals	cURus

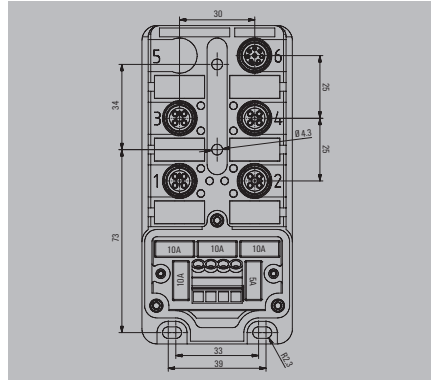
**Dimensioned drawing**



M12 distributor

Hood version with checkback signal

SAI-4-SVV-GM-RM



Ordering data

	4 plug-in stations
Note	

SAI-4-SVV-GM-RM

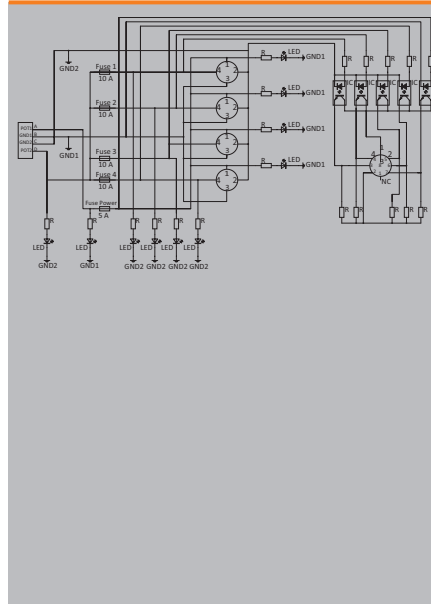
4-pole

Type	Qty.	Order No.
SAI-4-M-4P-M12-SVV-A03	1	2495280000

Technical data

Operating voltage	10...48 V
Current of continuous busbars	10 A
Max. current-carrying capacity per slot	10 A
Total current	32 A
Pollution severity	3
Protection degree	IP68
Ambient temperature range	-20...80 °C
Housing main material	Pocan
Contact carrier material	PBT (UL 94 V0)
Base material of contacts	CuZn
Screw socket	Nickel-plated CuZn
Housing colour	grey, RAL 7032
Flammability class UL 94	V-0
Clamping range of hood-version	0.5...4 mm <sup>2</sup>
Suitable for dragline cable (fixed cable connection)	No
Approvals	cURus

Dimensioned drawing

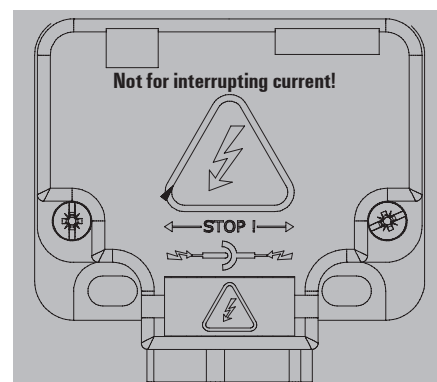
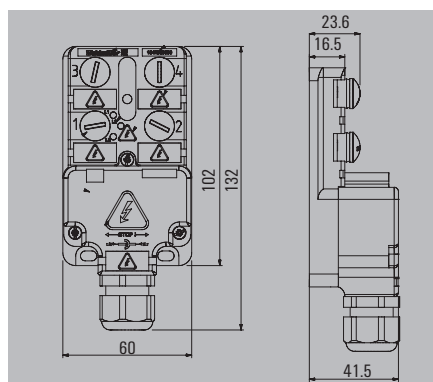
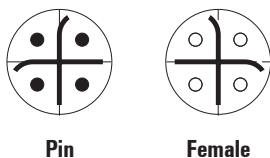


Hood version  
S-coded

SAI-4-M-MVV-M12 S-COD



S-coding



Ordering data

Complete modules	4 plug-in stations
Note	

SAI-4-M-MVV-M12 S-COD

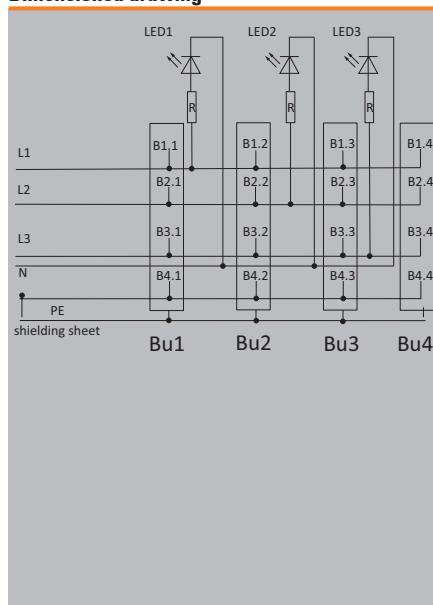
4-pole

Type	Qty.	Order No.
SAI-4-M-MVV-M12 S-COD	1	1542580000

Technical data

Operating voltage	...400 V
Current of continuous busbars	10 A
Max. current-carrying capacity per slot	27.6 A
Total current	27.6 A
Pollution severity	3
Protection degree	IP68
Ambient temperature range	-20...80 °C
Housing main material	Pocan
Contact carrier material	PBT (UL 94 V0)
Base material of contacts	CuZn
Screw socket	Nickel-plated CuZn
Housing colour	grey, RAL 7032
Flammability class UL 94	V-0
Clamping range of hood-version	0.2...6 mm <sup>2</sup>
Suitable for dragline cable (fixed cable connection)	No
Approvals	CE

Dimensioned drawing



M12 power distributor

Hood version  
S-coded

SAI-4-M-MVV-M12 1:1



S-coding



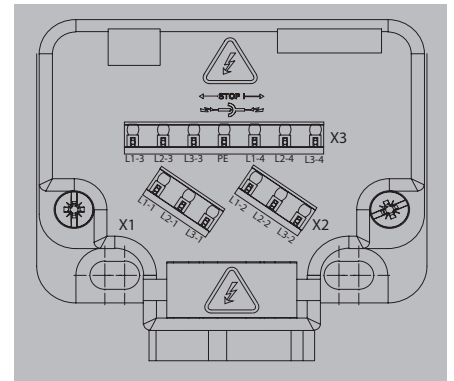
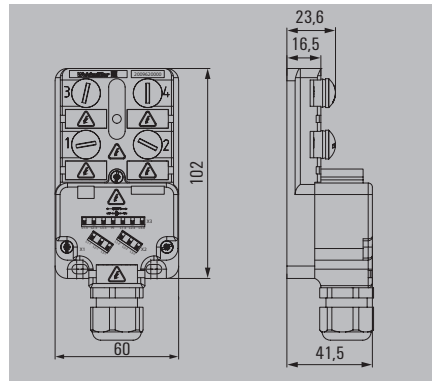
Pin



Female

Ordering data

Complete modules	4 plug-in stations
Note	



SAI-4-M-MVV-M12 1:1

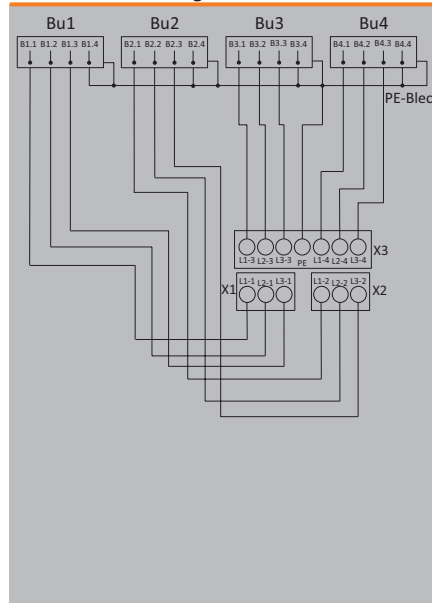
4-pole

Type	Qty.	Order No.
SAI-4-M-MVV-M12 1:1	1	2009620000

Technical data

Operating voltage	...400 V
Current of continuous busbars	12 A
Max. current-carrying capacity per slot	36 A
Total current	144 A
Pollution severity	3
Protection degree	IP68
Ambient temperature range	-20...80 °C
Housing main material	Pocan
Contact carrier material	PBT (UL 94 V0)
Base material of contacts	CuZn
Screw socket	Nickel-plated CuZn
Housing colour	grey, RAL 7032
Flammability class UL 94	V-0
Clamping range of hood-version	0.2...1.5 mm <sup>2</sup>
Suitable for dragline cable (fixed cable connection)	
Approvals	CE

Dimensioned drawing



Hood version  
S-coded

SAI-6-M-MVV-M12 S-COD



S-coding



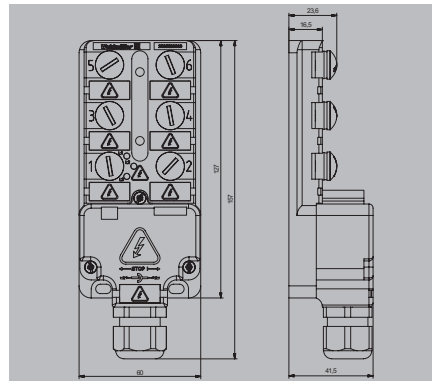
Pin



Female

Ordering data

Complete modules	6 plug-in stations
Note	



SAI-6-M-MVV-M12 S-COD

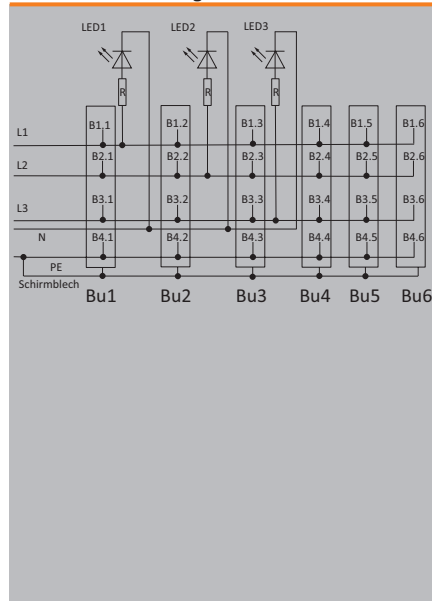
4-pole

Type	Qty.	Order No.
SAI-6-M-MVV-M12 S-COD	1	2085620000

Technical data

Operating voltage	...400 V
Current of continuous busbars	10 A
Max. current-carrying capacity per slot	27.6 A
Total current	27.6 A
Pollution severity	3
Protection degree	IP68
Ambient temperature range	-20...80 °C
Housing main material	Pocan
Contact carrier material	PBT (UL 94 V0)
Base material of contacts	CuZn
Screw socket	Nickel-plated CuZn
Housing colour	grey, RAL 7032
Flammability class UL 94	V-0
Clamping range of hood-version	0.2...6 mm <sup>2</sup>
Suitable for dragline cable (fixed cable connection)	No
Approvals	CE

Dimensioned drawing



## Connectors – accessories

### Protective caps for SAI distributors

Protects against external effects when the I/O is not in use.  
The level of protection is only valid in screwed condition and was tested on the distributor indicated.

#### Protective cap M12

For SAI M12 distributors

**D**

#### Ordering data

Type	Qty.	Order No.
SAI-SK-M12-RED	50	2870920000

# Passive distributors

<b>Passive distributors</b>	Introduction	E.2
	M12 distributors	E.4
	ECO modules	E.14
	M12 Push-Pull	E.16
	M12 IDC	E.18
	M12 metal distributors	E.22
	M12 distributors 1:1 Passive	E.27
	M12 8 poles	E.28
	M12 distributor for NPN and PNP sensors	E.29
	M12 wall bushing	E.30
	Solutions to customer specification	E.33
	M12 distributors accessories	E.34
	M8 distributors	E.36

## Passive M12 distributor

As industrialisation advances, more and more sensors and actuators are being used in the field. To bundle these many different cables and avoid long cable lengths, we recommend using passive sensor-actuator distributors.

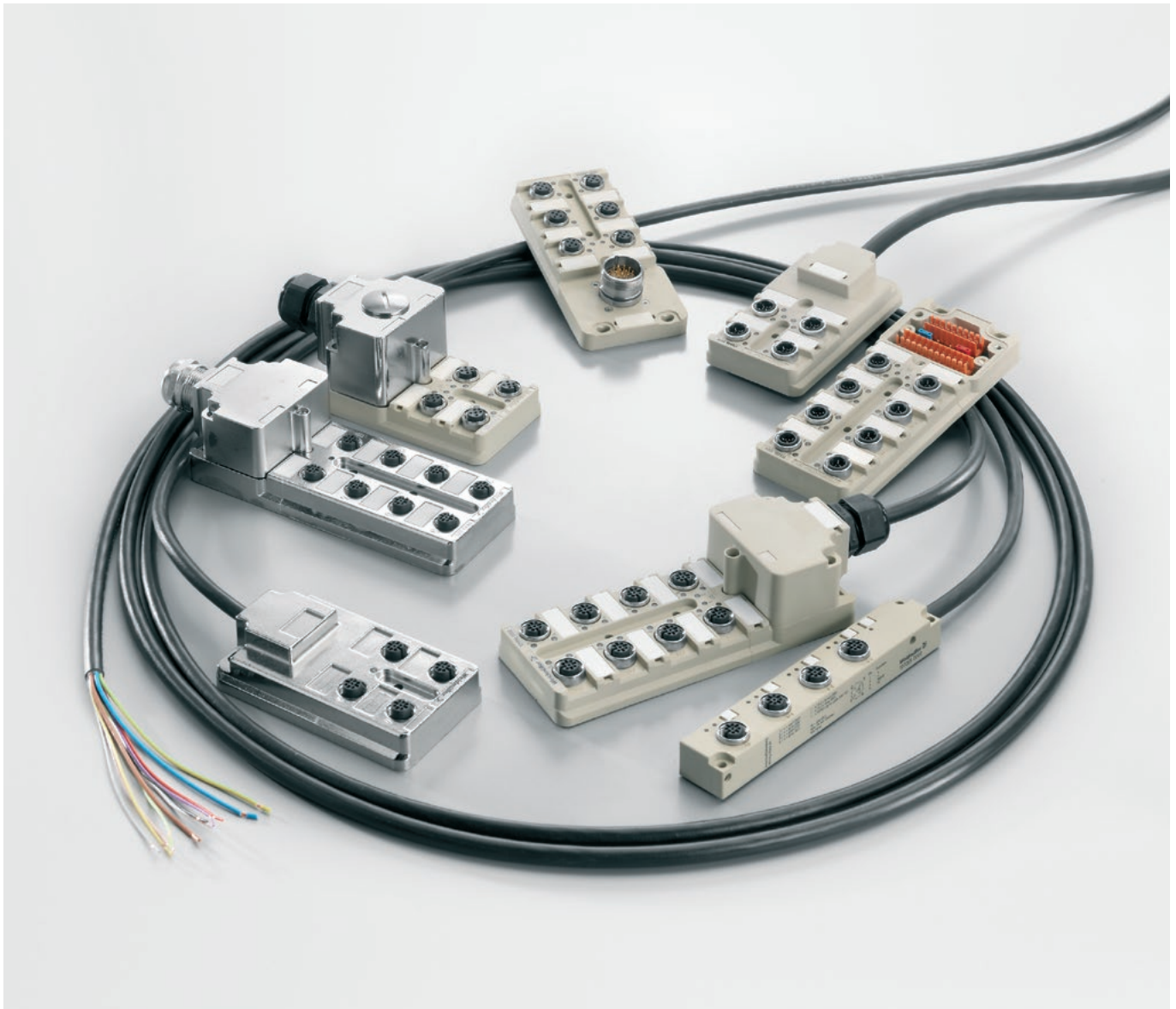
**We offer M12 distributors for your application, tailored to your requirements! Special wiring or fitting options are available upon request!**

### Range of connection options:

- Cover versions
- Fixed cable versions
- M12 / M16 / M23 group output

### Housing variants

- Line (single row) and standard distributors (double row)
- 4, 6, 8x distribution
- 4, 5 and 8-pole I/O sockets
- Plastic and metal housing







### Compact

The connection block is a single piece



### Small

Extremely small M12 distributor



### Fast

Insulation displacement connection can be used to directly connect the sensor cables



### Robust

Threaded metal ring without cut outs for reliable, safe handling



**M12 distributor standard**



**M12 distributor with  
DIP switch coding**

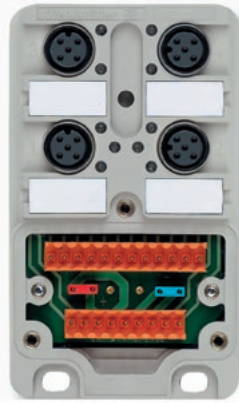


**M12 distributor with  
stainless steel housing**



**M12 distributor  
for Zone 1**

## SAI distributor with plug in connection hood: SAI-M



- Integrated plug in connector in connection hood
- M12 robust metal thread for sensor/actuator connection, now also available with plastic thread as an alternative
- Quick replacement of bus cables
- Bus cable can be supplied pre-assembled
- Two connection systems for bus cable: screw or tension clamp
- Very flat connection hood: no higher than smallest 90° M12 round plug
- Distributor and connection hood can be supplied separately
- Connection hood compatible with 4 and 8 channel SAI distributors (upgrades only entail changing the base module)
- IP 68 Ingress protection class (IDC IP 67)
- Housing made from Pocan® (PBT):
  - high dimensional stability
  - good electrical and mechanical properties
  - flame retardant without dioxin or furan formers
  - resistant to coolants and lubricants
- UL/CSA approvals for M12 SAI distributor
- SAI distributor available in pollution severity class 3
- Cable exit on top
- Weidmüller SAI distributors have the largest storage capacity in the connection hood
- Female connectors integrated into the metal plate for fast and reliable connections
- Wide range of M8 and M12 cables and plug-in connectors
- Various cable lengths available
- Metal hoods and housings also available
- Plug-in connection module for bus cables increases flexibility on site
- Integral, plug in electrical isolation for two separate electric circuits (e.g. for emergency stop)
- Simple and vibration resistant connections on site
- Captive metric screws (grade 8.8 steel) have a +/- head
- M12 and IDC connections
- 1:1 arrangement available

## Overview of M12 Distributors



### Fixed cable version

- Pre-assembled bus cable minimises installation time and reduces wiring errors
- Cable carrier compatible versions are available with polyurethane (PUR) sheathing



### M12 Push-Pull quick-fit connection system

M12 Push-Pull is the new connection system for sensors and actuators. It is downward compatible to the existing M12 system, which means that both old M12 and new M12 Push-Pull lines can be used together on these SAls. M12 Push-Pull decreases installation time and increases installation safety by means of colour coding and provides an audible click on locking for added reassurance.



### SAI ECO – the cost-effective alternative

Weidmüller SAI distributors with hood have long since been standard fittings in machines and installations.

#### Why plastic threaded rings?

There are some applications, however, that call for a further version. In some applications it is necessary to avoid all metal parts, unless these are made from stainless steel. In such cases stainless steel is then used for screws and nuts only, but the M12 threaded rings can be made from plastic. Such modules can now be supplied on request.

The use of plastic rings results in a cheaper alternative. Although the service life and resistance are reduced when compared to metal, this is acceptable for some applications.

# Overview of SAI

## M12 Plastic

	Hood	M23	5 m	10 m	15 m	20 m
4-way, 4-pole	1705920000	9456000000	9456190000	9456200000	9456210000	9456230000
4-way, 5-pole	1701230000		9456330000	9456340000	9456350000	9456370000
6-way, 4-pole	1705930000	9456010000	9456470000	9456480000	9456490000	9456510000
6-way, 5-pole	1701240000	9456010001	9456610000	9456620000	9456630000	9456650000
8-way, 4-pole	1705940000	9456020000	9456750000	9456760000	9456770000	9456790000
8-way, 5-pole	1701250000	1795470000	9456890000	9456900000	9456910000	9456930000

## M12 Metal

	Hood without shield connection	Hood with shield connection	5 m	10 m		
4-way, 4-pole		1783540000	9456190002	9456200002		
4-way, 5-pole	1783500000	1783520000				
8-way, 4-pole		1783530000	9456750002	9456760002		
8-way, 5-pole	1783490000	1783510000				

## M12 Line

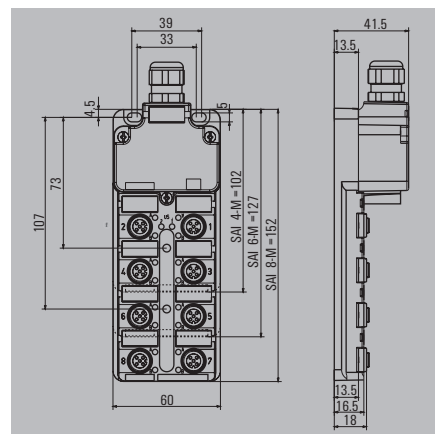
	M12 group outlet	5 m	10 m		
4-way, 4-pole	1267330000		1070650000	1070660000	
4-way, 5-pole			1070630000	1070640000	
6-way, 4-pole	1265940000		1265920000	1265930000	

## M8 Line

	M12 group outlet	5 m	10 m		
4-way, 3-pole	1828740000		1828720000	1828710000	
4-way, 4-pole			1849680000	1849690000	
6-way, 3-pole	1828730000		1828700000	1828690000	
6-way, 4-pole			1849700000	1849670000	
8-way, 3-pole	1871680000		1828680000	1828670000	
8-way, 4-pole			1828620000	1828610000	
10-way, 3-pole	1877950000		1828660000	1828650000	
12-way, 3-pole			1828640000	1828630000	

**Hood version**

- PNP switching
- Hoods with plastic screw connection



**Ordering data**

Complete modules	
with LEDs, Screw connection	4 plug-in stations
with LEDs, Screw connection	6 plug-in stations
with LEDs, Screw connection	8 plug-in stations
with LEDs, Tension clamp conn.	4 plug-in stations
with LEDs, Tension clamp conn.	8 plug-in stations
Base unit	
with LEDs	4 plug-in stations
with LEDs	6 plug-in stations
with LEDs	8 plug-in stations
Mounting hood	
	Screw connection
	Screw connection
	Tension clamp connection
	Tension-clamp connection
	Empty
Complete module NPN switching	
with LEDs, Screw connection	8 plug-in stations
Note	

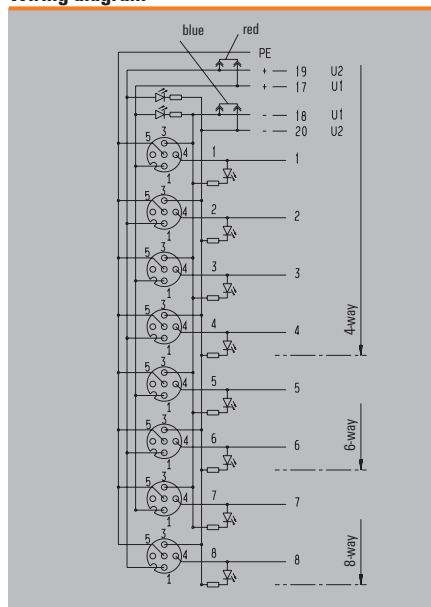
SAI-4/6/8-M		4-pole	
Type	Qty.	Order No.	
SAI-4-M 4P M12	1	1705920000	
SAI-6-M 4P M12	1	1705930000	
SAI-8-M 4P M12	1	1705940000	
SAI-4 M 4P M12 UT	2	1705921000	
SAI-6-M 4P M12 UT	2	1705931000	
SAI-8-M 4P M12 UT	2	1705941000	
SAI-4/6/8-MH BL3.5	1	1724750000	
SAI-4/6/8-MH BL3.5 SV	50	1724750050	
SAI-4/6/8-MH BLZF3.5	1	1752080000	
SAI-4/6/8-MH BLZF3.5 SV	50	1752080050	
Other versions on request			

SAI-4/6/8-M		5-pole	
Type	Qty.	Order No.	
SAI-4-M 5P M12	1	1701230000	
SAI-6-M 5P M12	1	1701240000	
SAI-8-M 5P M12	1	1701250000	
SAI-4-M 5P M12 ZF	1	1854000000	
SAI-8-M 5P M12 ZF III	1	1767880000	
SAI-4-M 5P M12 UT	2	1701231000	
SAI-6-M 5P M12 UT	2	1701241000	
SAI-8-M 5P M12 UT	2	1701251000	
SAI-4/6/8-MH BL3.5	1	1724750000	
SAI-4/6/8-MH BL3.5 SV	50	1724750050	
SAI-4/6/8-MH BLZF3.5	1	1752080000	
SAI-4/6/8-MH BLZF3.5 SV	50	1752080050	
SAI-4/6/8-MH LEER	1	1783460000	
SAI-8-M 5P M12 NPN	1	1781060000	
Other versions on request			

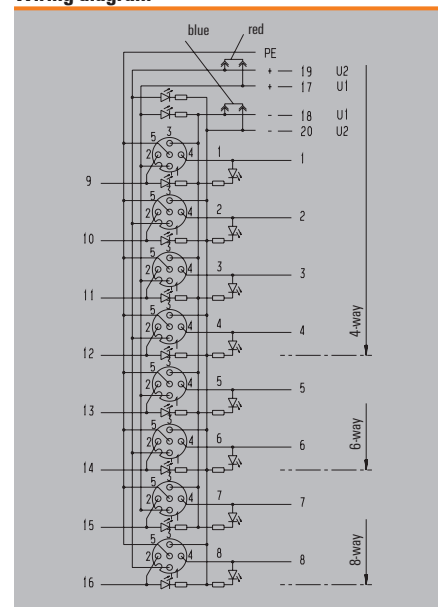
**Technical data**

Operating voltage	10...30 V
Current of continuous busbars	2 A
Max. current-carrying capacity per slot	4 A
Total current	10 A
Pollution severity	3
Protection degree	IP68
Ambient temperature range	-20...90 °C
Housing main material	Pocan
Contact carrier material	PBT (UL 94 V0)
Base material of contacts	CuZn
Screw socket	Nickel-plated CuZn
Housing colour	grey, RAL 7032
Flammability class UL 94	V-0
Clamping range of hood-version	0.08...1.5 mm <sup>2</sup>
Suitable for dragline cable (fixed cable connection)	No
With dual power supply: 2x8 = 16A total current	

**Wiring diagram**



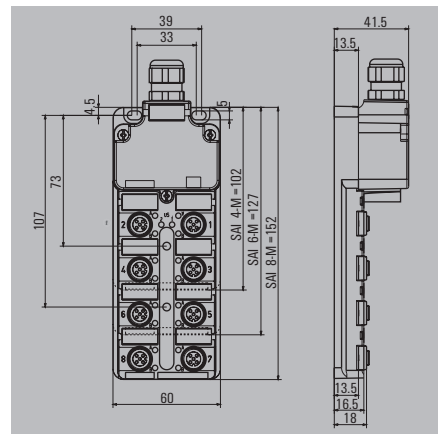
**Wiring diagram**



## M12 distributors

### Hood version for analogue signals

- PNP switching
- Hoods with plastic screw connection



### Ordering data

Complete modules	
Power LEDs only, Screw connection	4 plug-in stations
Power LEDs only, Screw connection	8 plug-in stations
Power LEDs only, Screw connection	8 plug-in stations
Base unit	
Power LEDs only	4 plug-in stations
Power LEDs only	8 plug-in stations
Note	

SAI-4/6/8-M		5-pole	
Type	Qty.	Order No.	
SAI-4-M 5P M12 OL	1	1800000000	
SAI-8-M 5P M12 OL	1	1740190000	
SAI-8-M 5P M12 OL2	1	1816610000	
SAI-4-M 5P M12 OL UT	2	1800001000	
SAI-8-M 5P M12 OL UT	2	1740191000	
Other versions on request			

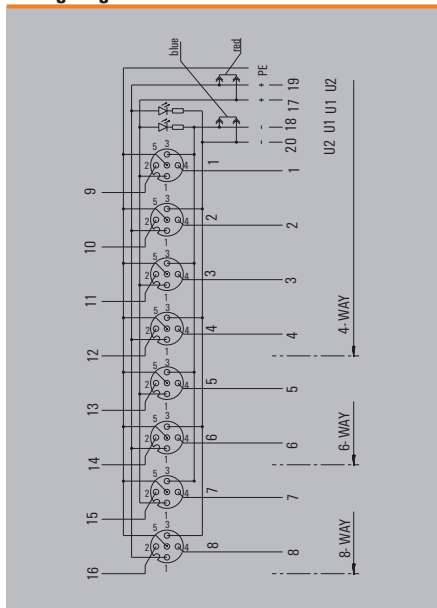
Type	Qty.	Order No.

### Technical data

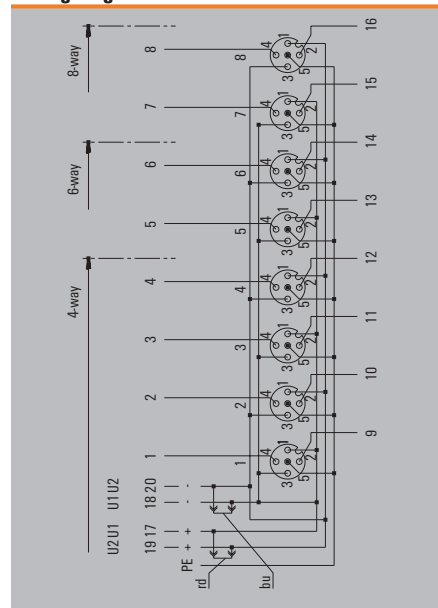
Operating voltage	10...30 V
Current of continuous busbars	2 A
Max. current-carrying capacity per slot	4 A
Total current	10 A
Pollution severity	3
Protection degree	IP68
Ambient temperature range	-20...90 °C
Housing main material	Pocan
Contact carrier material	PBT (UL 94 V0)
Base material of contacts	CuZn
Screw socket	Nickel-plated CuZn
Housing colour	grey, RAL 7032
Flammability class UL 94	V-0
Clamping range of hood-version	0.08...1.5 mm <sup>2</sup>
Suitable for dragline cable (fixed cable connection)	No

With dual power supply: 2x8 = 16A total current

### Wiring diagram

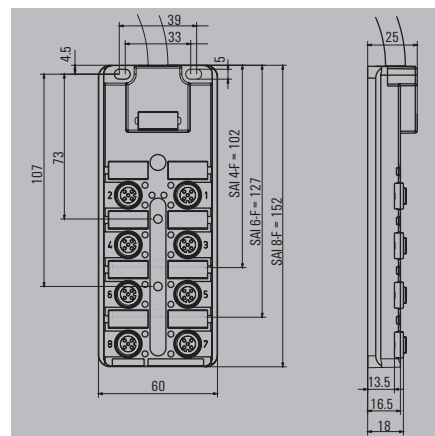


### Wiring diagram



**Fixed cable version**

- PNP switching
- With LEDs



**Ordering data**

4-channel	
	3 m cable length
	5 m cable length
	10 m cable length
	15 m cable length
	20 m cable length
6-channel	
	3 m cable length
	5 m cable length
	10 m cable length
	15 m cable length
	20 m cable length
8-channel	
	3 m cable length
	5 m cable length
	10 m cable length
	15 m cable length
	20 m cable length
8-channel with reinforced fixed cable*	
	2 m cable length
	5 m cable length
	10 m cable length
	15 m cable length
	20 m cable length
Note	

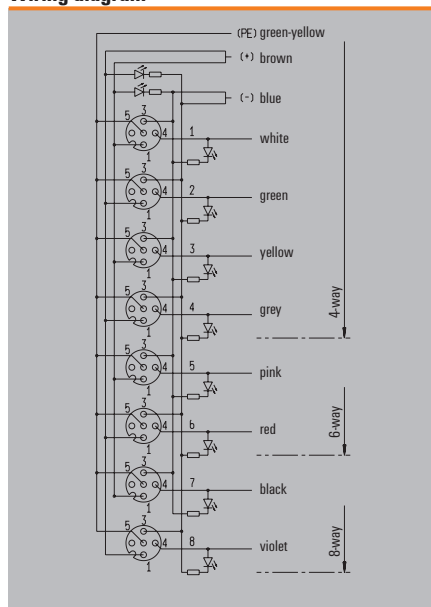
SAI-4/6/8-F		4-pole	
Type	Qty.	Order No.	
SAI-4-F 4P PUR 3M	1	9456180000	
SAI-4-F 4P PUR 5M	1	9456190000	
SAI-4-F 4P PUR 10M	1	9456200000	
SAI-4-F 4P PUR 15M	1	9456210000	
SAI-4-F 4P PUR 20M	1	9456230000	
SAI-6-F		4-pole	
SAI-6-F 4P PUR 3M	1	9456460000	
SAI-6-F 4P PUR 5M	1	9456470000	
SAI-6-F 4P PUR 10M	1	9456480000	
SAI-6-F 4P PUR 15M	1	9456490000	
SAI-6-F 4P PUR 20M	1	9456510000	
SAI-8-F		4-pole	
SAI-8-F 4P PUR 3M	1	9456740000	
SAI-8-F 4P PUR 5M	1	9456750000	
SAI-8-F 4P PUR 10M	1	9456760000	
SAI-8-F 4P PUR 15M	1	9456770000	
SAI-8-F 4P PUR 20M	1	9456790000	
Other versions on request			

SAI-4/6/8-F		5-pole	
Type	Qty.	Order No.	
SAI-4-F 5P PUR 3M	1	9456320000	
SAI-4-F 5P PUR 5M	1	9456330000	
SAI-4-F 5P PUR 10M	1	9456340000	
SAI-4-F 5P PUR 15M	1	9456350000	
SAI-4-F 5P PUR 20M	1	9456370000	
SAI-6-F		5-pole	
SAI-6-F 5P PUR 3M	1	9456600000	
SAI-6-F 5P PUR 5M	1	9456610000	
SAI-6-F 5P PUR 10M	1	9456620000	
SAI-6-F 5P PUR 15M	1	9456630000	
SAI-6-F 5P PUR 20M	1	9456650000	
SAI-8-F		5-pole	
SAI-8-F 5P PUR 3M	1	9456880000	
SAI-8-F 5P PUR 5M	1	9456890000	
SAI-8-F 5P PUR 10M	1	9456900000	
SAI-8-F 5P PUR 15M	1	9456910000	
SAI-8-F 5P PUR 20M	1	9456930000	
SAI-8-F 5P 2M 0.5/1.0U	1	7915030000	
SAI-8-F 5P 5M 0.5/1.0U	1	9457590000	
SAI-8-F 5P 10M 0.5/1.0U	1	9457600000	
SAI-8-F 5P 15M 0.5/1.0U	1	1784510000	
SAI-8-F 5P 20M 0.5/1.0U	1	1784500000	
Other versions on request			

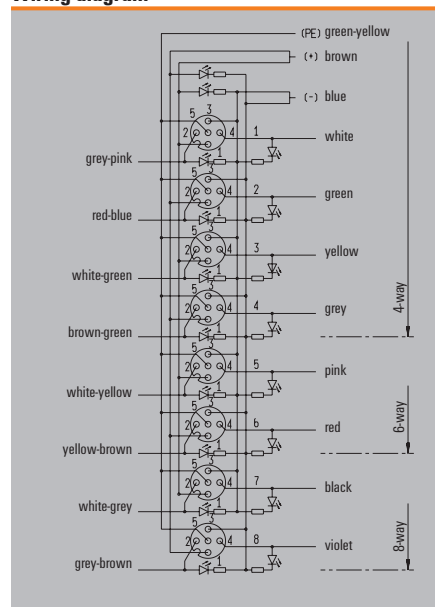
**Technical data**

Operating voltage	10...30 V
Current of continuous busbars	2 A
Max. current-carrying capacity per slot	4 A
Total current	9 A
Pollution severity	3
Protection degree	IP68
Ambient temperature range	-20...80 °C
Housing main material	Pocan
Contact carrier material	PBT (UL 94 V0)
Base material of contacts	CuZn
Screw socket	Nickel-plated CuZn
Housing colour	grey, RAL 7032
Flammability class UL 94	V-0
Clamping range of hood-version	...
Suitable for dragline cable (fixed cable connection)	Yes
* 3x1 mm <sup>2</sup> and 16x0.5 mm <sup>2</sup> total current 12A	

**Wiring diagram**



**Wiring diagram**



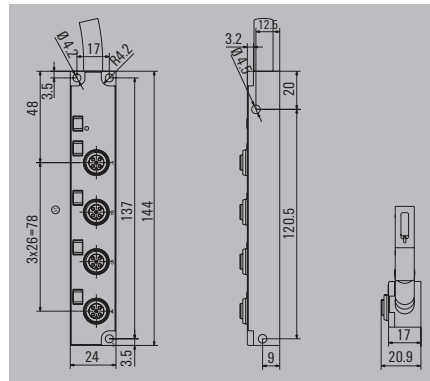
## M12 distributors

## Fixed cable version

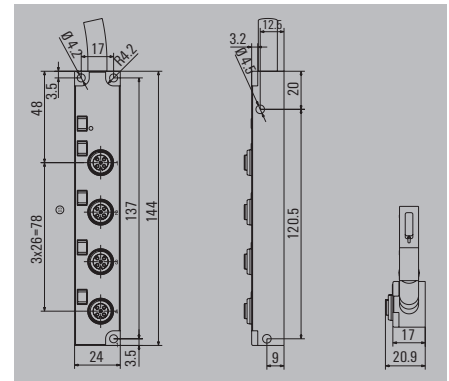
## Thin design

- PNP switching
- With LEDs

## SAI-4-F M12 L



## SAI-4-F M12 L



## Ordering data

4-channel	
	5 m cable length
	10 m cable length
Note	

## SAI-4-F M12 L

		4-pole	
Type	Qty.	Order No.	
SAI-4-F 4P M12 L 5M	1	1070650000	
SAI-4-F 4P M12 L 10M	1	1070660000	
Other versions on request			

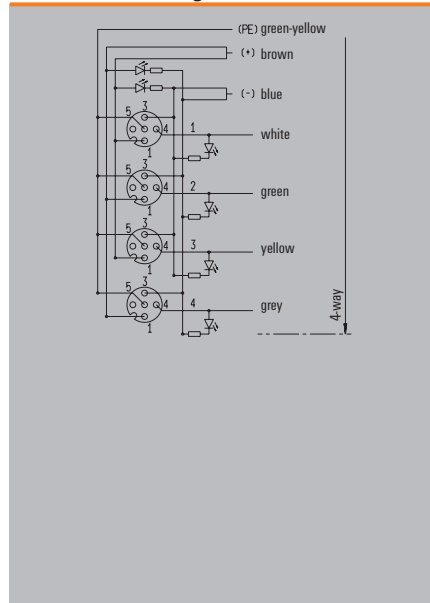
## SAI-4-F M12 L

		5-pole	
Type	Qty.	Order No.	
SAI-4-F 5P M12 L 5M	1	1070630000	
SAI-4-F 5P M12 L 10M	1	1070640000	
Other versions on request			

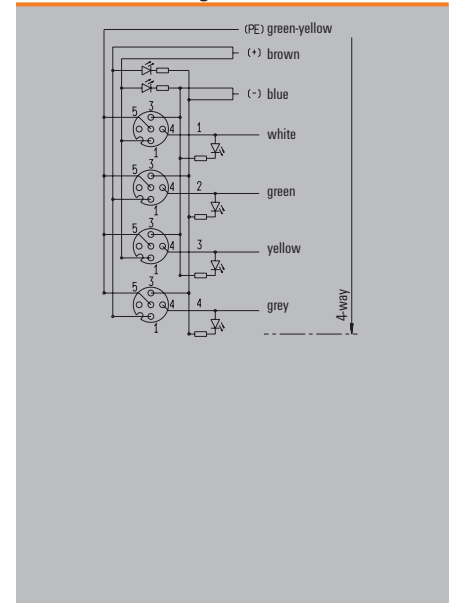
## Technical data

Operating voltage	10...30 V
Current of continuous busbars	2 A
Max. current-carrying capacity per slot	3 A
Total current	9 A
Pollution severity	3
Protection degree	IP68
Ambient temperature range	-20...80 °C
Housing main material	PA 6 GF, PBT
Contact carrier material	PBT (UL 94 V0)
Base material of contacts	CuZn
Screw socket	Nickel-plated CuZn
Housing colour	grey, RAL 7032
Flammability class UL 94	V-0
Clamping range of hood-version	...
Suitable for dragline cable (fixed cable connection)	Yes

## Dimensioned drawing



## Dimensioned drawing



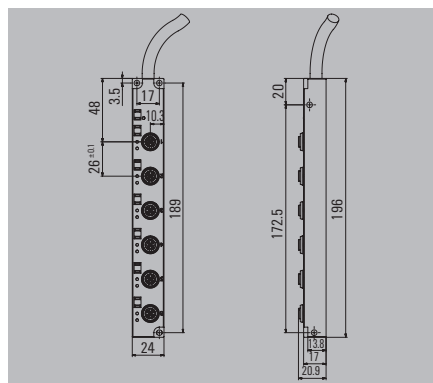


**Fixed cable version**

**Thin design**

- PNP switching
- With LEDs

**SAI-6-F M12 L**



**Ordering data**

<b>6-channel</b>	5 m cable length
	10 m cable length
<b>Note</b>	

**SAI-6-F M12 L**

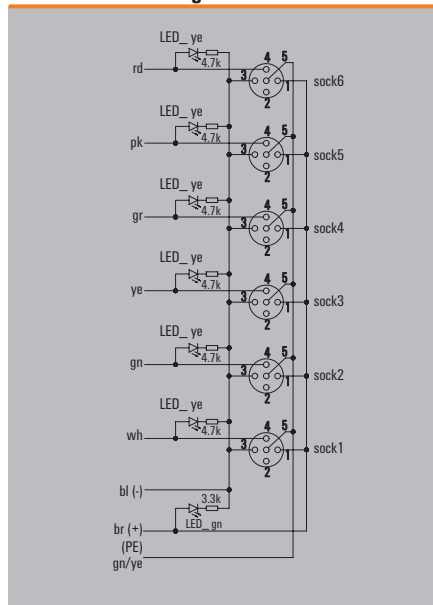
**4-pole**

Type	Qty.	Order No.
SAI-6-F 4P M12 L 5M	1	1265920000
SAI-6-F 4P M12 L 10M	1	1265930000

**Technical data**

Operating voltage	10...30 V
Current of continuous busbars	2 A
Max. current-carrying capacity per slot	3 A
Total current	9 A
Pollution severity	3
Protection degree	IP68
Ambient temperature range	-20...80 °C
Housing main material	PBT
Contact carrier material	PBT (UL 94 V0)
Base material of contacts	CuZn
Screw socket	Nickel-plated CuZn
Housing colour	grey, RAL 7032
Flammability class UL 94	V-0
Clamping range of hood-version	...
Suitable for dragline cable (fixed cable connection)	Yes

**Dimensioned drawing**



## M12 distributors

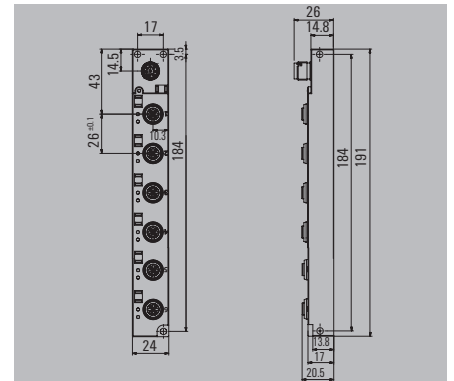
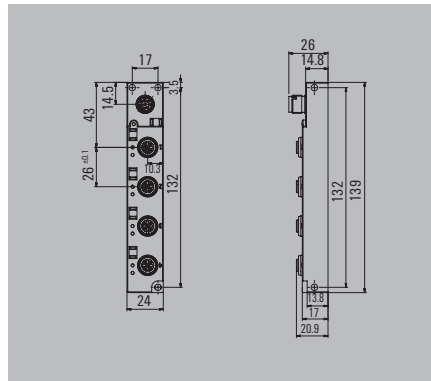
### Line

- PNP switching
- With LEDs

### SAI-4-S



### SAI-6-S



### Ordering data

<b>4-channel</b>	M12 outlet, 8-pole
<b>6-channel</b>	M12 outlet, 12-pole
<b>Note</b>	

### SAI-4-S

### 4-pole

Type	Qty.	Order No.
SAI-4-S8 4P M12 L	1	1267330000

### SAI-6-S

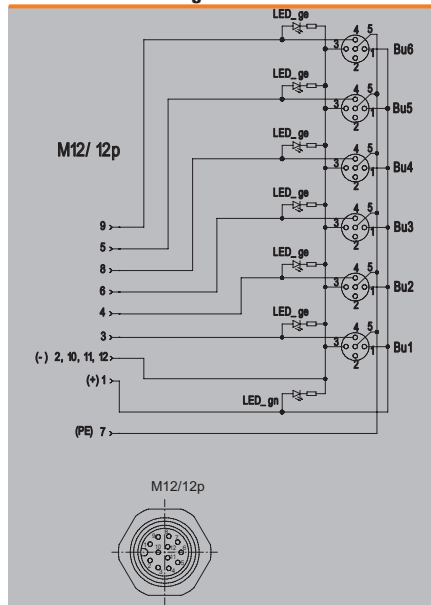
### 4-pole

Type	Qty.	Order No.
SAI-6-S12 4P M12 L	1	1265940000

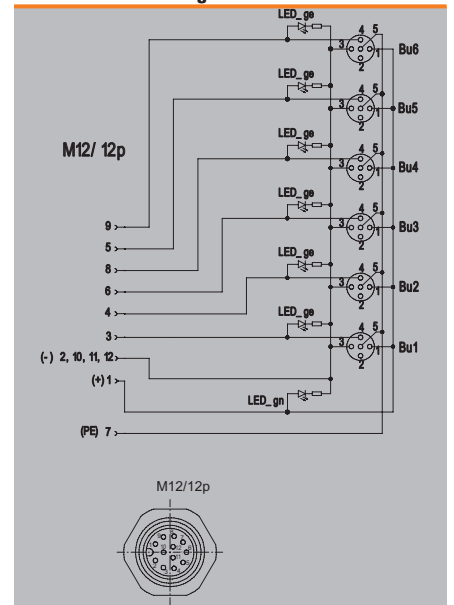
### Technical data

Operating voltage	10...30 V
Current of continuous busbars	1 A
Max. current-carrying capacity per slot	2 A
Total current	6 A
Pollution severity	3
Protection degree	IP67
Ambient temperature range	-20...80 °C
Housing main material	PBT
Contact carrier material	PBT (UL 94 V0)
Base material of contacts	CuZn
Screw socket	Nickel-plated CuZn
Housing colour	grey, RAL 7032
Flammability class UL 94	V-0
Clamping range of hood-version	...
Suitable for dragline cable (fixed cable connection)	No

### Dimensioned drawing



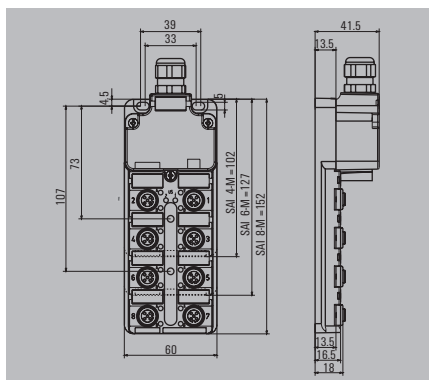
### Dimensioned drawing



**Hood version  
with DIP-switch coding**

- PNP switching
- With LEDs
- Hoods with plastic screw connection

**SAI-8-M M12 DIP**



**Ordering data**

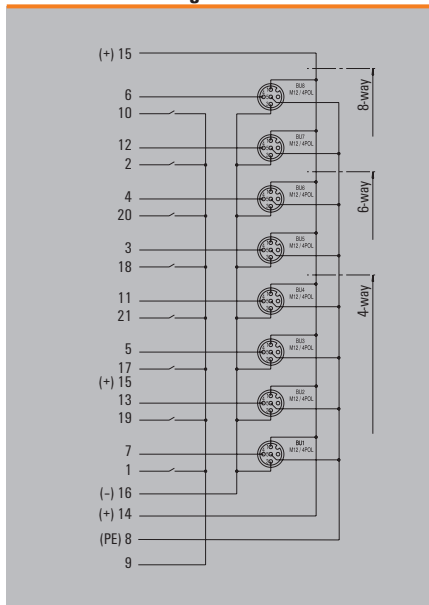
<b>Complete modules</b>	8 plug-in stations
<b>Note</b>	

SAI-8-M M12 DIP		4-pole
Type	Qty.	Order No.
SAI-8-M-4P M12 DIP	1	1059430000
Other versions on request		

**Technical data**

Operating voltage	10...30 V
Current of continuous busbars	2 A
Max. current-carrying capacity per slot	4 A
Total current	8 A
Pollution severity	3
Protection degree	IP68
Ambient temperature range	-20...90 °C
Housing main material	Pocan
Contact carrier material	PBT (UL 94 V0)
Base material of contacts	CuZn
Screw socket	Nickel-plated CuZn
Housing colour	grey, RAL 7032
Flammability class UL 94	V-0
Clamping range of hood-version	0.08...1.5 mm <sup>2</sup>
Suitable for dragline cable (fixed cable connection)	No

**Dimensioned drawing**



## Passive M12 distributor - ECO

Passive distributors have become an established solution for combining sensor and actuator wiring. In certain applications, all metal parts must be avoided unless these are made from stainless steel. ECO series M12 distributors use plastic threaded rings for this purpose.

These are not recommended for use in harsh conditions, however due to their low price they do represent an alternative for many applications.

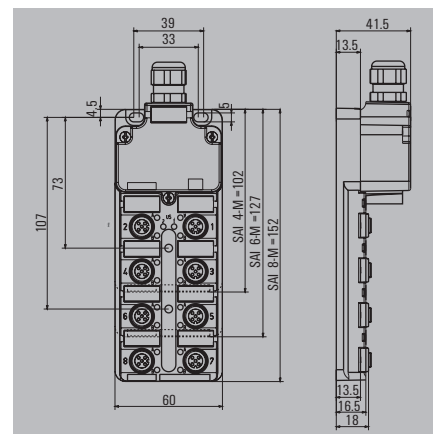
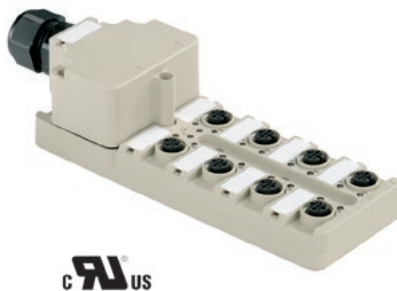
### Properties of the ECO series:

- MultiCard marker for labelling the individual slots
- Potential separation via solder bridge that can be separated one time
- Standard protective caps eliminated in the scope of delivery for the distributors
- IP68 plastic screw fitting



**Hood version**

- PNP switching
- With LEDs
- Hoods with plastic screw connection



**Ordering data**

Complete modules	
Screw connection	4 plug-in stations
Screw connection	4 plug-in stations
Screw connection	6 plug-in stations
Screw connection	8 plug-in stations
Base unit	
Screw connection	4 plug-in stations
Screw connection	6 plug-in stations
Screw connection	8 plug-in stations
Mounting hood	
	Screw connection
	Tension-clamp connection
Complete module NPN switching	
Screw connection	4 plug-in stations
Screw connection	8 plug-in stations
Note	

**SAI-4/6/8-M**

**5-pole**

Type	Qty.	Order No.
SAI-4-M 5P M12 ECO	1	1892100000
SAI-6-M 5P M12 ECO	1	1892090000
SAI-8-M 5P M12 ECO	1	1892080000
SAI-4-M 5P M12 ECO UT	2	1892101000
SAI-6-M 5P M12 ECO UT	2	1892091000
SAI-8-M 5P M12 ECO UT	2	1892081000
SAI-4/6/8-MH BL3.5 SV	50	1724750050
SAI-4/6/8-MH BLZF3.5 SV	50	1752080050
SAI-4-M 5P M12 NPN ECO	1	1892100005
SAI-8-M 5P M12 NPN ECO	1	1892080005

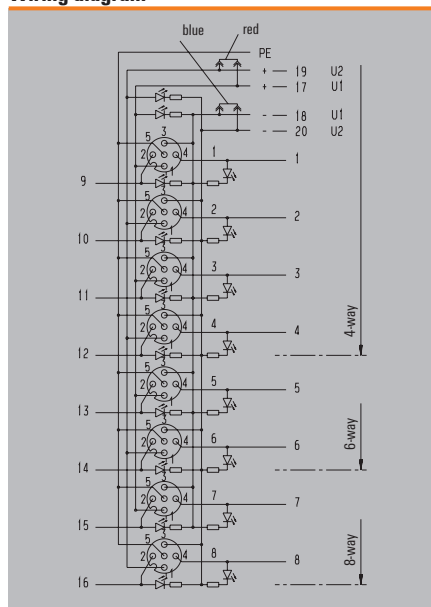
These distributors are supplied without protective caps and markers. Other versions on request

**Technical data**

Operating voltage	10...30 V
Current of continuous busbars	2 A
Max. current-carrying capacity per slot	4 A
Total current	10 A
Pollution severity	3
Protection degree	IP68
Ambient temperature range	-20...90 °C
Housing main material	Pocan
Contact carrier material	PBT (UL 94 V0)
Base material of contacts	CuZn
Screw socket	Pocan
Housing colour	grey, RAL 7032
Flammability class UL 94	V-0
Clamping range of hood-version	0.08...1.5 mm <sup>2</sup>
Suitable for dragline cable (fixed cable connection)	No

With dual power supply: 2x8 = 16A total current

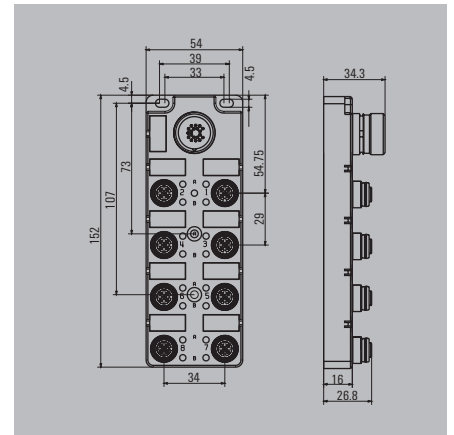
**Wiring diagram**



## M12 Push-Pull

### with M23 outlet

- PNP switching
- With LEDs



### Ordering data

<b>4-channel</b>	M23 outlet, 12-pole M23 outlet, 19-pole
<b>8-channel</b>	M23 outlet, 12-pole M23 outlet, 19-pole
<b>Note</b>	

### SAI-4/8-S

Type	Qty.	4-pole	Order No.
SAI-4-S 4P FC	1		<b>1847960000</b>
SAI-8-S 4P FC	1		<b>1847920000</b>
Other versions on request			

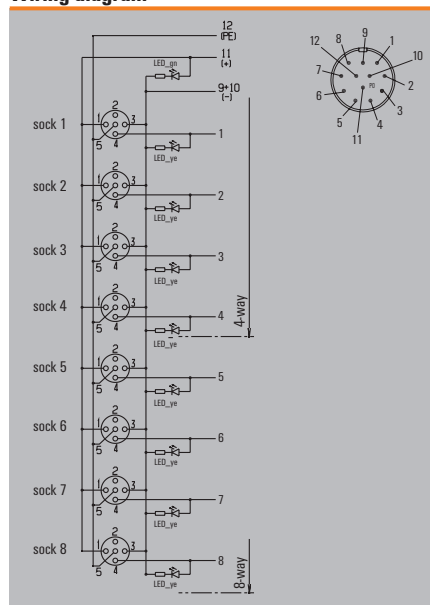
### SAI-4/8-S

Type	Qty.	5-pole	Order No.
SAI-4-S 5P FC	1		<b>1847970000</b>
SAI-8-S 5P FC	1		<b>1848040000</b>
Other versions on request			

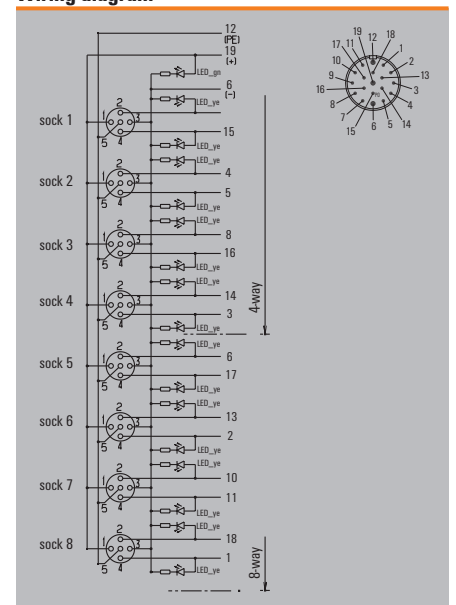
### Technical data

Operating voltage	10...30 V
Current of continuous busbars	2 A
Max. current-carrying capacity per slot	4 A
Total current	9 A
Pollution severity	3
Protection degree	IP67
Ambient temperature range	-25...80 °C
Housing main material	PA 6 GF
Contact carrier material	PBT (UL 94 V0)
Base material of contacts	CuZn
Screw socket	Nickel-plated CuZn
Housing colour	grey, RAL 7032
Flammability class UL 94	V-0
Clamping range of hood-version	...
Suitable for dragline cable (fixed cable connection)	No

### Wiring diagram

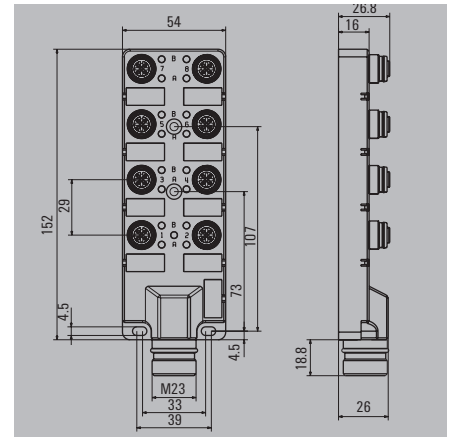


### Wiring diagram



with M23 outlet on front

- PNP switching
- With LEDs



Ordering data

8-channel	M23 outlet, 12-pole M23 outlet, 19-pole
Note	

SAI-4/8-SH

4-pole

Type	Qty.	Order No.
SAI-8-SH 4P FC	1	1859120000

SAI-4/8-SH

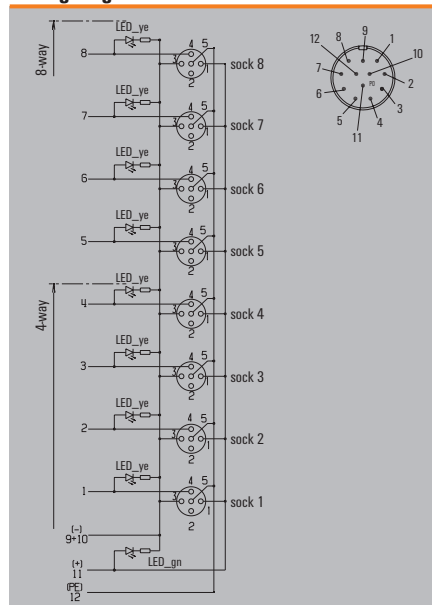
5-pole

Type	Qty.	Order No.
SAI-8-SH 5P FC	1	1859140000

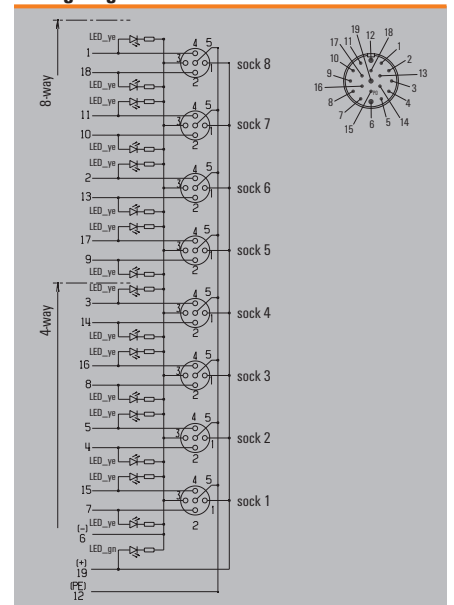
Technical data

Operating voltage	10...30 V
Current of continuous busbars	2 A
Max. current-carrying capacity per slot	4 A
Total current	9 A
Pollution severity	3
Protection degree	IP67
Ambient temperature range	-25...80 °C
Housing main material	PA 6 GF
Contact carrier material	PBT (UL 94 V0)
Base material of contacts	CuZn
Screw socket	Nickel-plated CuZn
Housing colour	grey, RAL 7032
Flammability class UL 94	V-0
Clamping range of hood-version	...
Suitable for dragline cable (fixed cable connection)	No

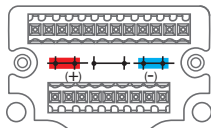
Wiring diagram



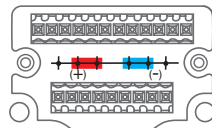
Wiring diagram



# IDC – the quick connection



Factory setting  
(see wiring diagram)  
Current bridged



Current isolated



## Hood version

- Compact IDC connection cuts production, commissioning and maintenance work
- Robust, knurled metal nut, safe handling requiring little force
- The dimensions of the IDC distributor correspond to and are compatible with the standard SAI distributor
- Plug-in connection module for bus cables enhances on-site flexibility
- Three sizes for 4, 6 and 8 channels
- 3-pole version with one I/O signal per channel, 4-pole version with two I/O signals per channel
- Individual on site assembly of sensor/actuator lines
- Fast, reliable connection with IDC connection element
- IP 67 Ingress protection classification

## SAI fixed cable version

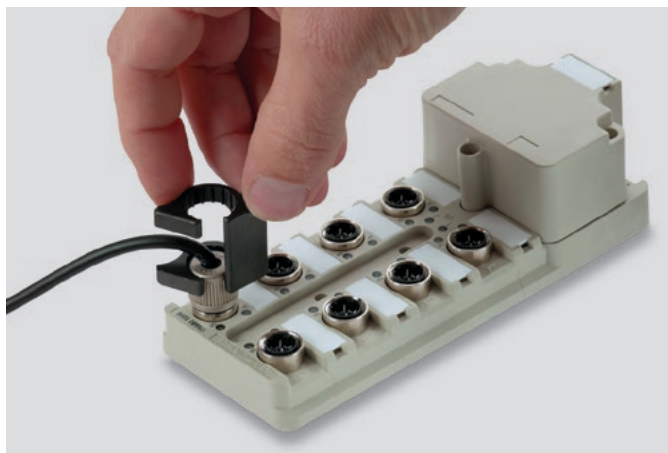
- Pre-assembled bus cables minimise installation work and avoid wiring errors
- 3 sizes for 4, 6 and 8 channels
- Highly flexible, cable carrier compatible bus cables with polyurethane (PUR/PVC) sheathing
  - 3 x 0.75 mm<sup>2</sup>
  - n x 0.34 mm<sup>2</sup>
- 3-pole version with one I/O signal per channel, 4-pole version with two I/O signals per channel

## IDC connection element

### Ordering data

Type	Qty.	Order No.
SAI-SA-3-IDC	1	9457720000
SAI-SA-4-IDC	1	1766810000





#### The significant advantages of Weidmüller tools:

- Easy handling
- Very small, ideal for confined assembly conditions
- Patented solution
- Metal Connectors

Insulation displacement connections on Weidmüller SAI distributors are currently the smallest but also the most robust connection elements on the market. Thanks to their extremely small dimensions, corresponding distributors are available with the same dimensions in M12 or IDC versions.

For large series, e.g. where more than 100 modules are used every year, we recommend using a special tool to simplify the handling of the connected lines even further. However, this tool is not always necessary because all connection elements can usually be readily tightened by hand.

#### IDC-Tool



#### Ordering data

Type	Qty.	Order No.
SAHDC-Tool	1	1795020000

#### Screwty®

The IDC elements can also be tightened with the Weidmüller Screwty®.



#### Ordering data

Type	Qty.	Order No.
Screwty®-M12-DM	1	1900001000

#### Protective cap M12 for IDCw



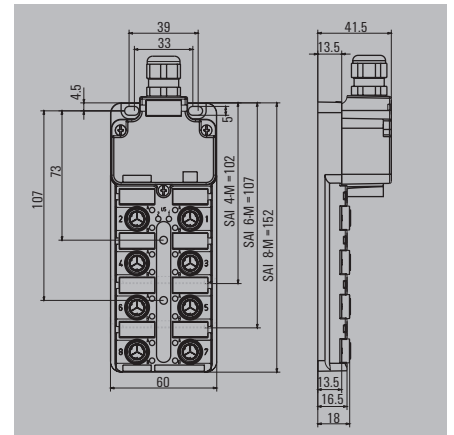
#### Ordering data

Type	Qty.	Order No.
SAI-SK-M12 IDC	10	1794850000

## M12 IDC

### Hood version

- PNP switching
- With LEDs
- Hoods with plastic screw connection



### Ordering data

Complete modules	
Screw connection	4 plug-in stations
Screw connection	6 plug-in stations
Screw connection	8 plug-in stations
Base unit	
	4 plug-in stations
	6 plug-in stations
	8 plug-in stations
Mounting hood	
	Screw connection
	Screw connection
	Tension clamp connection
	Tension-clamp connection
Note	

### SAI-4/6/8-M IDC

3-pole		
Type	Qty.	Order No.
SAI-4-M 3P IDC	1	1760040000
SAI-6-M 3P IDC	1	1760050000
SAI-8-M 3P IDC	1	1760060000
SAI-4-M 3P IDC UT	2	1760041000
SAI-6-M 3P IDC UT	2	1760061000
SAI-4/6/8-MH BL3.5	1	1724750000
SAI-4/6/8-MH BL3.5 SV	50	1724750050
SAI-4/6/8-MH BLZF3.5	1	1752080000
SAI-4/6/8-MH BLZF3.5 SV	50	1752080050

Other versions on request

### SAI-4/6/8-M IDC

4-pole		
Type	Qty.	Order No.
SAI-4-M 4P IDC	1	1766780000
SAI-6-M 4P IDC	1	1766790000
SAI-8-M 4P IDC	1	1766800000
SAI-4-M 4P IDC UT	2	1766781000
SAI-6-M 4P IDC UT	2	1766791000
SAI-8-M 4P IDC UT	2	1766801000
SAI-4/6/8-MH BL3.5	1	1724750000
SAI-4/6/8-MH BL3.5 SV	50	1724750050
SAI-4/6/8-MH BLZF3.5	1	1752080000
SAI-4/6/8-MH BLZF3.5 SV	50	1752080050

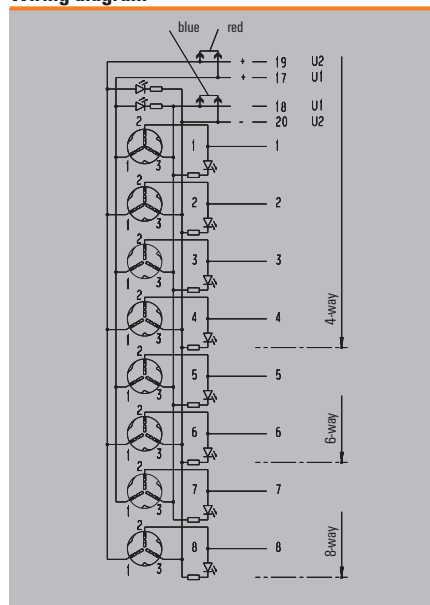
Other versions on request

### Technical data

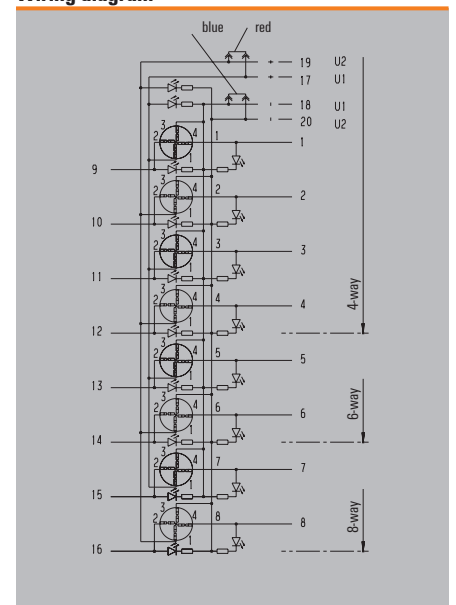
Operating voltage	10...30 V
Current of continuous busbars	2 A
Max. current-carrying capacity per slot	4 A
Total current	10 A
Pollution severity	2
Protection degree	IP67
Ambient temperature range	-20...90 °C
Housing main material	Pocan
Contact carrier material	PBT (UL 94 V0)
Base material of contacts	CuZn
Screw socket	Nickel-plated CuZn
Housing colour	grey, RAL 7032
Flammability class UL 94	V-0
Clamping range of hood-version	0.08...1.5 mm <sup>2</sup>
Suitable for dragline cable (fixed cable connection)	No

With dual power supply: 2x8 = 16A total current

### Wiring diagram

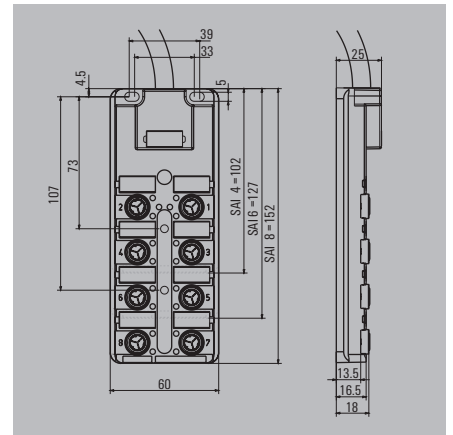


### Wiring diagram



**Fixed cable version**

- PNP switching
- With LEDs



**Ordering data**

4-channel	5 m cable length
	10 m cable length
6-channel	5 m cable length
	10 m cable length
8-channel	5 m cable length
	10 m cable length
Note	

**SAI-4/6/8-F IDC**

**3-pole**

Type	Qty.	Order No.
SAI-8-F 3P IDC PUR 10M	1	1766770000
Other versions on request		

**SAI-4/6/8-F IDC**

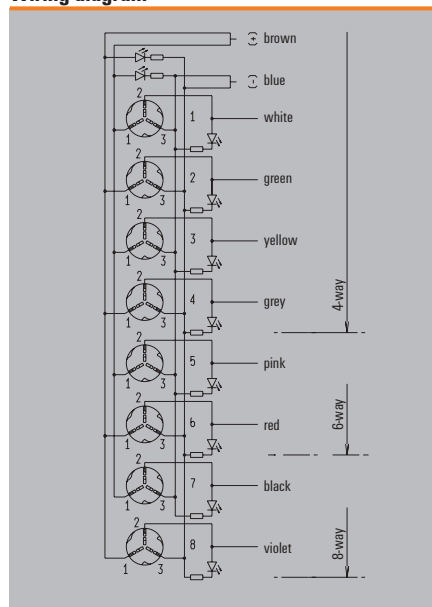
**4-pole**

Type	Qty.	Order No.
SAI-4-F 4P IDC PUR 5M	1	1766660000
SAI-4-F 4P IDC PUR 10M	1	1766670000
SAI-6-F 4P IDC PUR 5M	1	1766680000
SAI-6-F 4P IDC PUR 10M	1	1766690000
SAI-8-F 4P IDC PUR 5M	1	1766700000
SAI-8-F 4P IDC PUR 10M	1	1766710000
Other versions on request		

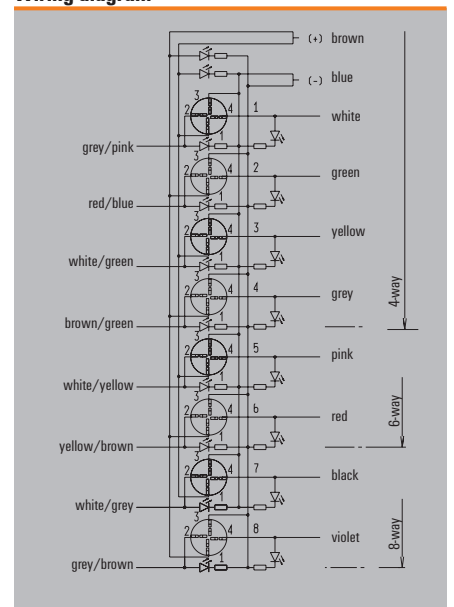
**Technical data**

Operating voltage	10...30 V
Current of continuous busbars	2 A
Max. current-carrying capacity per slot	4 A
Total current	9 A
Pollution severity	2
Protection degree	IP67
Ambient temperature range	-20...80 °C
Housing main material	Pocan
Contact carrier material	PBT (UL 94 V0)
Base material of contacts	CuZn
Screw socket	Nickel-plated CuZn
Housing colour	grey, RAL 7032
Flammability class UL 94	V-0
Clamping range of hood-version	...
Suitable for dragline cable (fixed cable connection)	Yes

**Wiring diagram**



**Wiring diagram**



## Sensor-actuator distributors for special applications

### Shielded cable, e.g. for analogue initiators

Some applications need full shielding from sensor to control. This is possible with the all metal SAI distributors. The distributors are supplied with an EMC cable gland. Initiator LEDs are omitted.

### Especially thick trunk cable

It is sometimes advisable to use the machine manufacturer's standard trunk cable. This cable will usually have a relatively large outside diameter and will therefore require plenty of space (SAI-4/6/8 MHD).

### Hood distributor in full metal

Metal distributors from Weidmüller have proven themselves in a variety of applications. They are available in versions with 4 and 8 M12 sockets. Metal distributors are also required for ESD reasons.

The conductive metallic surface is crucial, in other words: the surface resistance is very low.

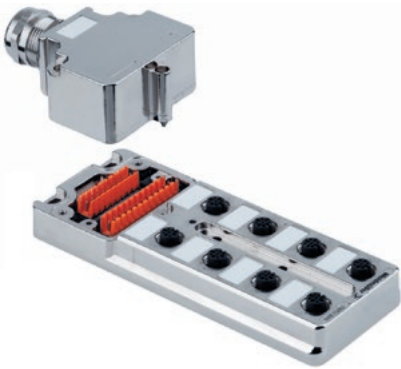
### Advantages:

- No ESD/EMC problems
- High resistance to chemicals or mechanical loads
- Standard mounting dimensions

### SAI-M with metal hood

#### SAI-4/6/8 MMS SAI-4/6/8 MM

MMS: **M**odular, **M**etal, **S**hield  
MM: **M**odular, **M**etal



#### SAI-4/6/8 MH

MH: **M**odular, **H**igh



#### SAI-4/6/8 MHD

MHD: **M**odular, **H**igh, sealed  
(for especially thick cables)



### SAI-4/6/8 MMS with EMC cable gland in metal housing

For especially tough conditions where plastic is totally unsuitable. In certain cases it makes sense to avoid the use of plastics altogether. In such cases a distributor made completely from metal is required that can be connected to others using metal cable glands, without additional connections for the shielding.

### Cable gland: M20

For cables with outside insulation diameter from 10 mm to 14 mm. Listed below are just some of the cable sizes that are suitable for the SAI distributor with M20 cable gland:

- 14 x 0.50 mm<sup>2</sup> to 16 x 0.50 mm<sup>2</sup>
- 8 x 0.75 mm<sup>2</sup> to 15 x 0.75 mm<sup>2</sup>
- 8 x 1.00 mm<sup>2</sup> to 10 x 1.00 mm<sup>2</sup>
- 5 x 1.50 mm<sup>2</sup> to 7 x 1.50 mm<sup>2</sup>

### Cable gland: M25

For cables with outside insulation diameter from 13 mm to 18 mm. Listed below are just some of the cable sizes that are suitable for the SAI distributor with M25 cable gland:

- 21 x 0.50 mm<sup>2</sup>
- 18 x 0.75 mm<sup>2</sup> to 21 x 0.75 mm<sup>2</sup>
- 14 x 1.00 mm<sup>2</sup> to 20 x 1.00 mm<sup>2</sup>
- 8 x 1.50 mm<sup>2</sup> to 16 x 1.50 mm<sup>2</sup>

## Overview of metal distributors

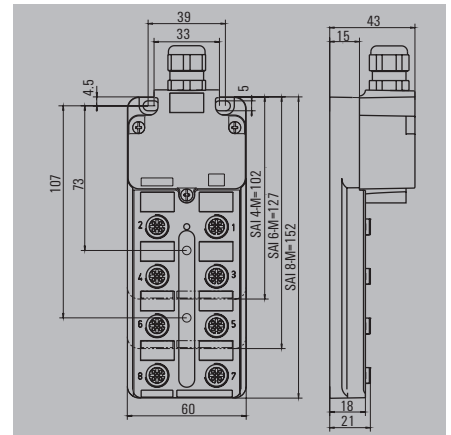
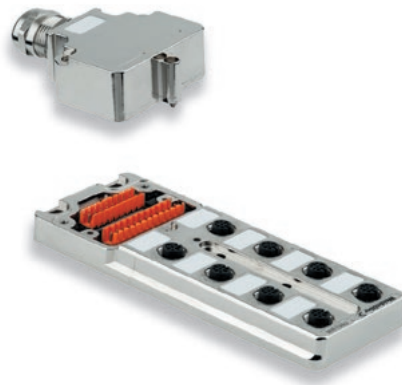
Type	SAI-UT	Sockets	M12	Poles-Hood	Form	Cable gland	Cable gland	Length	Order No.
SAI-4-MH-4P M12	PBT	4	4	Zn-G	high	M20	plastic		1705922000
SAI-6-MH-4P M12	PBT	6	4	Zn-G	high	M20	plastic		1705932000
SAI-8-MH-4P M12	PBT	8	4	Zn-G	high	M20	plastic		1705942000
SAI-4-MH-5P M12	PBT	4	5	Zn-G	high	M20	plastic		1701232000
SAI-6-MH-5P M12	PBT	6	5	Zn-G	high	M20	plastic		1701242000
SAI-8-MH-5P M12	PBT	8	5	Zn-G	high	M20	plastic		1701252000
SAI-8-MHD-5P M12	PBT	8	5	Zn-G	high	M25	plastic		1701253000
SAI-4-MHD-4P M12	PBT	4	4	Zn-G	high	M25	plastic		1705923000
SAI-8-MHD-4P M12	PBT	8	4	Zn-G	high	M25	plastic		1705943000
SAI-4-MMS-4P M12	Zn-G	4	4	Zn-G	low	M20	EMC		1783540000
SAI-8-MMS-4P M12	Zn-G	8	4	Zn-G	low	M20	EMC		1783530000
SAI-4-MMS-5P M12	Zn-G	4	5	Zn-G	low	M20	EMC		1783520000
SAI-8-MMS-5P M12	Zn-G	8	5	Zn-G	low	M20	EMC		1783510000
SAI-4-MM-5P M12	Zn-G	4	5	Zn-G	low	M20	brass		1783500000
SAI-8-MM-5P M12	Zn-G	8	5	Zn-G	low	M20	brass		1783490000
SAI-4/6/8 MH-MH BL 3.5				Zn-G	high	M20	plastic		1724752000
SAI-4/6/8 MH-MHD BL 3.5				Zn-G	high	M25	plastic		1724753000
SAI-8-MH-5P M12 ZF III	PBT	8	5	Zn-G	high	M20	plastic		1782760000
SAI-8-MMS-5P M12 ZF III	Zn-G	8	5	Zn-G	high	M20	plastic		1782740000
SAI-4/6/8 MH-MH BL-ZF 3.5				Zn-G	high	M20	plastic		1782750000

**Note:** The cable outside diameter can vary from manufacturer to manufacturer. It is therefore possible that the cable glands hold other cables firmly despite a different strand lay-up. In each case, it is best to first measure the cable diameter and then choose an appropriate distributor.

## M12 metal distributors

### Hood version

- PNP switching
- With LEDs
- Hoods with plastic screw connection



### Ordering data

Complete modules, 4-pole	
Screw connection	4 plug-in stations
Screw connection	8 plug-in stations
Complete modules, 5-pole	
Screw connection	4 plug-in stations
Screw connection	8 plug-in stations
Tension-clamp connection, high cover	8 plug-in stations
Base unit	
	8 plug-in stations
Mounting hood	
	Screw connection
	Screw connection with EMC gland
Note	

### SAI-4/6/8-MMS

Type	Qty.	Order No.	M12
SAI-4-MMS 4P M12	1	1783540000	
SAI-8-MMS 4P M12	1	1783530000	
SAI-4-MMS 5P M12	1	1783520000	
SAI-8-MMS 5P M12	1	1783510000	
SAI-8-MM 5P M12 UT	2	1783491000	
Complete modules with EMC cable gland			

### SAI-4/6/8-MM

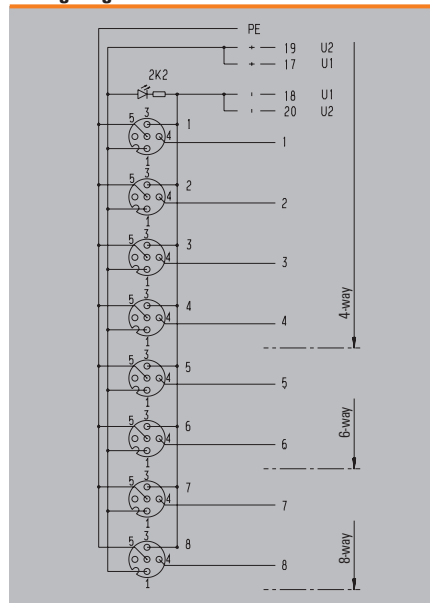
Type	Qty.	Order No.	M12
SAI-4-MM 5P M12	1	1783500000	
SAI-8-MM 5P M12	1	1783490000	
SAI-8-MMH 5P M12 ZF	1	1782740000	
SAI-8-MM 5P M12 UT	2	1783491000	
SAI-4/6/8 MH-MM BL 3.5	1	1724754000	
SAI-4/6/8 MH-MMS BL 3.5	1	2820520000	
MM without initiator LED and with standard metal cable gland			

### Technical data

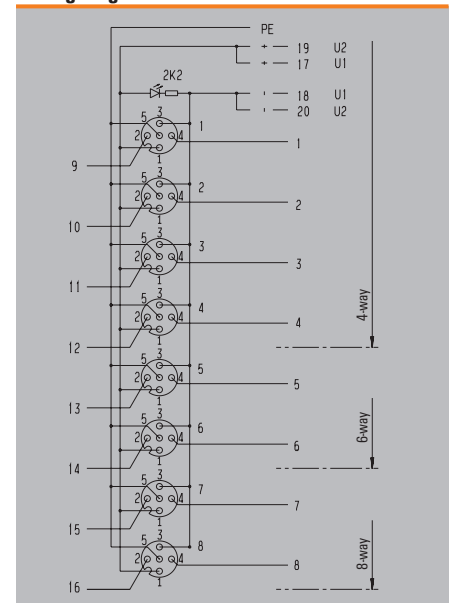
Operating voltage	10...30 V
Current of continuous busbars	2 A
Max. current-carrying capacity per slot	4 A
Total current	10 A
Pollution severity	3
Protection degree	IP68
Ambient temperature range	-20...90 °C
Housing main material	Zinc diecast
Contact carrier material	PBT (UL 94 V0)
Base material of contacts	CuZn
Screw socket	Nickel-plated CuZn
Housing colour	silver
Flammability class UL 94	V-0
Clamping range of hood-version	0.08...1.5 mm <sup>2</sup>
Suitable for dragline cable (fixed cable connection)	No

Complete shielding transmission via the housing

### Wiring diagram

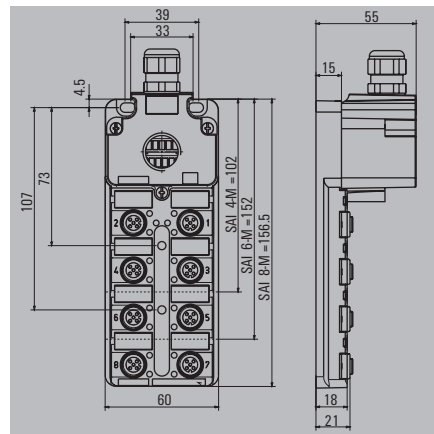


### Wiring diagram



**Hood version with M20 outlet**

- PNP switching
- With LEDs
- Hoods with plastic screw connection



**Ordering data**

Complete modules	
Screw connection	4 plug-in stations
Screw connection	6 plug-in stations
Screw connection	8 plug-in stations
Tension-clamp connection	8 plug-in stations
Mounting hood	
	Screw connection
	Tension clamp connection
Note	

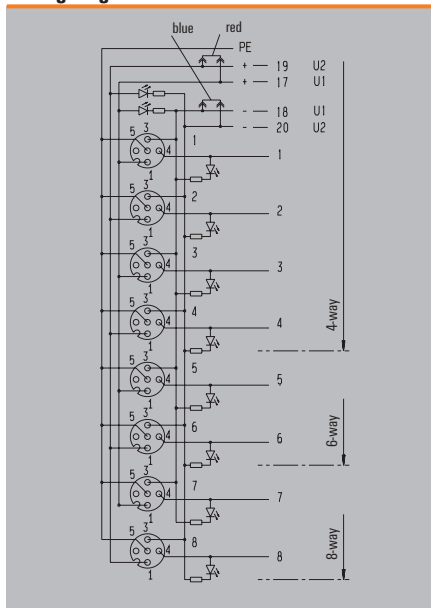
SAI-4/6/8-MH		4-pole	
Type	Qty.	Order No.	
SAI-4-MH-4P M12	1	1705922000	
SAI-6-MH-4P M12	1	1705932000	
SAI-8-MH-4P M12	1	1705942000	
SAI-4/6/8 MH-MH BL 3.5	1	1724752000	
SAI-4/6/8 MH MH BLZF3,5	1	1782750000	
Other versions on request			

SAI-4/6/8-MH		5-pole	
Type	Qty.	Order No.	
SAI-4-MH-5P M12	1	1701232000	
SAI-6-MH-5P M12	1	1701242000	
SAI-8-MH-5P M12	1	1701252000	
SAI-8-MH-5P M12 ZF III	1	1782760000	
SAI-4/6/8 MH-MH BL 3.5	1	1724752000	
SAI-4/6/8 MH MH BLZF3,5	1	1782750000	
Other versions on request			

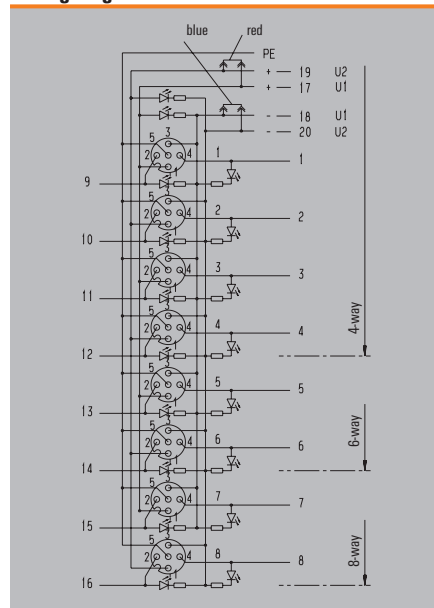
**Technical data**

Operating voltage	10...30 V
Current of continuous busbars	2 A
Max. current-carrying capacity per slot	4 A
Total current	10 A
Pollution severity	3
Protection degree	IP68
Ambient temperature range	-20...90 °C
Housing main material	Pocan (base module), Zinc diecast (hood)
Contact carrier material	PBT (UL 94 V0)
Base material of contacts	CuZn
Screw socket	Nickel-plated CuZn
Housing colour	silver
Flammability class UL 94	V-0
Clamping range of hood-version	0.08... 1.5 mm <sup>2</sup>
Suitable for dragline cable (fixed cable connection)	No
With dual power supply: 2x8 = 16 A total current	

**Wiring diagram**



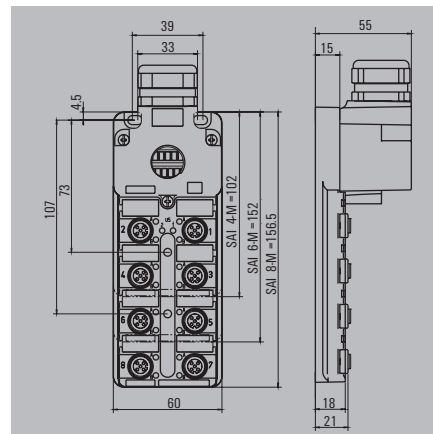
**Wiring diagram**



## M12 metal distributors

### Hood version with M25 outlet

- PNP switching
- With LEDs
- Hoods with plastic screw connection



### Ordering data

Complete modules	
Screw connection	4 plug-in stations
Screw connection	8 plug-in stations
Mounting hood	
	Screw connection
Note	

### SAI-4/6/8-MHD

SAI-4/6/8-MHD		4-pole
Type	Qty.	Order No.
SAI-4-MHD-4P M12	1	1705923000
SAI-8-MHD-4P M12	1	1705943000
SAI-4/6/8 MH-MHD BL 3.5		
Other versions on request		

### SAI-4/6/8-MHD

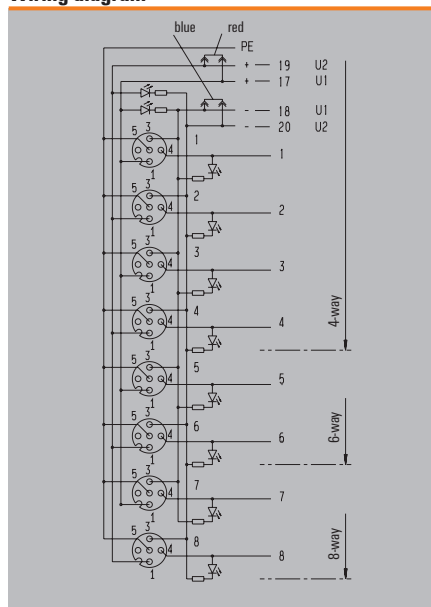
SAI-4/6/8-MHD		5-pole
Type	Qty.	Order No.
SAI-8-MHD-5P M12	1	1701253000
SAI-4/6/8 MH-MHD BL 3.5		
Other versions on request		

### Technical data

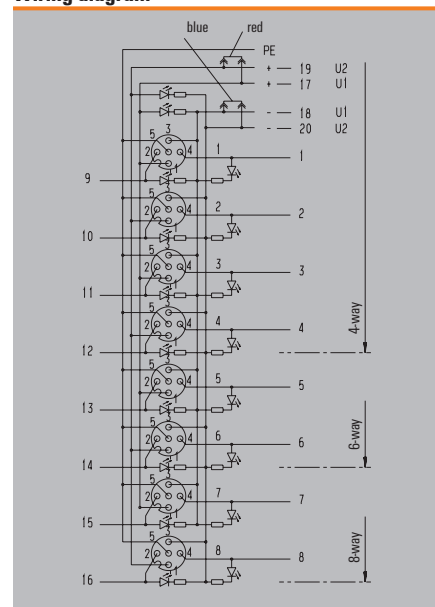
Operating voltage	10...30 V
Current of continuous busbars	2 A
Max. current-carrying capacity per slot	4 A
Total current	10 A
Pollution severity	3
Protection degree	IP68
Ambient temperature range	-20...90 °C
Housing main material	Pocan (base module), Zinc diecast (hood)
Contact carrier material	PBT (UL 94 V0)
Base material of contacts	CuZn
Screw socket	Nickel-plated CuZn
Housing colour	silver
Flammability class UL 94	V-0
Clamping range of hood-version	0.08...1.5 mm <sup>2</sup>
Suitable for dragline cable (fixed cable connection)	No

With dual power supply: 2x8 = 16 A total current

### Wiring diagram



### Wiring diagram





# For switching with five no-voltage contacts in an M12 without LED

## with hood



### Emergency stop wiring

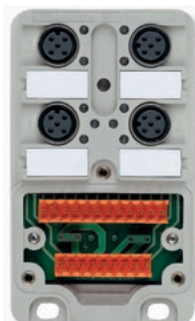
Sometimes a machine builder will need more than two floating contacts in one M12 plug-in connector. This is the case, for example, in the wiring for some "emergency stop" circuits. It was for this application that Weidmüller developed the 1:1 SAI distributor.

This SAI distributor has four M12 plug-in connectors with five floating contacts in one socket connector. The distributor is supplied complete with hood.

When connecting PT100 3- and 4-conductor initiators, we recommend the new shielded metal version. If you need other circuit configurations, simply contact us.

**Note:** This distributor should not be used as the base module for active bus distributors.

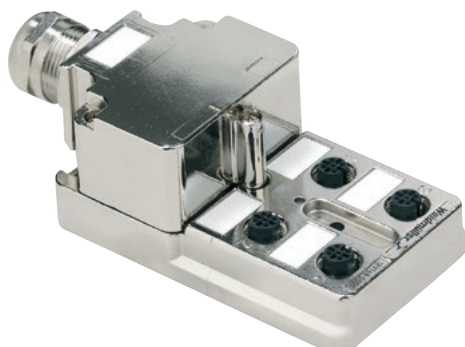
## base element



### Wiring diagram

Socket	Contact	BL 3.5 contact
1	1	1
1	2	2
1	3	3
1	4	4
1	5	5
2	1	6
2	2	7
2	3	8
2	4	9
2	5	10
3	1	11
3	2	12
3	3	13
3	4	14
3	5	15
4	1	16
4	2	17
4	3	18
4	4	19
4	5	20
-	-	21

## metal



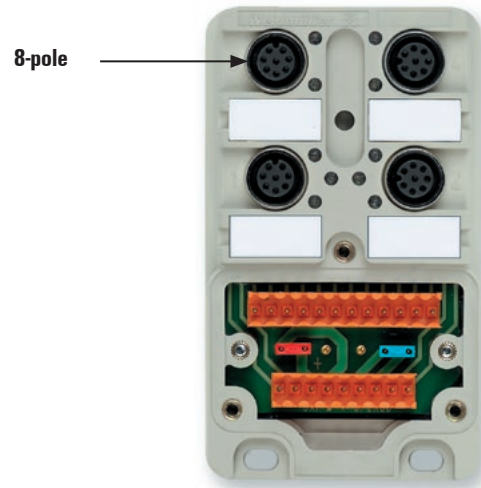
### Technical data

Current per channel	2 A
Total current	8 A
LEDs	No LEDs are integrated at any point.

### Ordering data

Type	Qty.	Order No.
SAI-4-M 5P M12 1:1 (plastic hood)	1	1806010000
Base element (plastic)	1	1806011000
SAI-4-MMS 5P M12 1:1 (metal hood)	1	1897680000

## SAI distributor with 8 poles per M12



## Applications

This distributor can be used both as a base module for satellite solutions (SAI-Combi) and for connecting sensors/units with more than two contacts.

## Sensors, units with more than two signals in one line

As one socket in this module contains four signal paths and, in addition, two +, two - and one PE, components with more than two signal lines can be connected to this module. Eight-pole connecting cables are available on request.

## Wiring

M12 socket	M12 contact	BL 3.5 connection	PLC input	Supply
1	1	1	E0.0	
1	2	3	E0.1	
1	3	5	E0.2	
1	4	7	E0.3	
2	1	2	E0.4	
2	2	4	E0.5	
2	3	6	E0.6	
2	4	8	E0.7	
3	1	9	E1.0	
3	2	11	E1.1	
3	3	13	E1.2	
3	4	15	E1.3	
4	1	10	E1.4	
4	2	12	E1.5	
4	3	14	E1.6	
4	4	16	E1.7	
1/3	5	17		24 V
2/4	5	19		24 V
1/3	6/7	18		0 V
2/4	6/7	20		0 V
1/2/3/4	8	PE		PE

The jumpers in the distributor enable the potentials of 17 and 19 or 18 and 20 to be bridged. Contacts 6 and 7 are bridged in the 8-pole M12 in order to increase the current-carrying capacity, total current per M12: 2 A, signal current per pin: 1 A

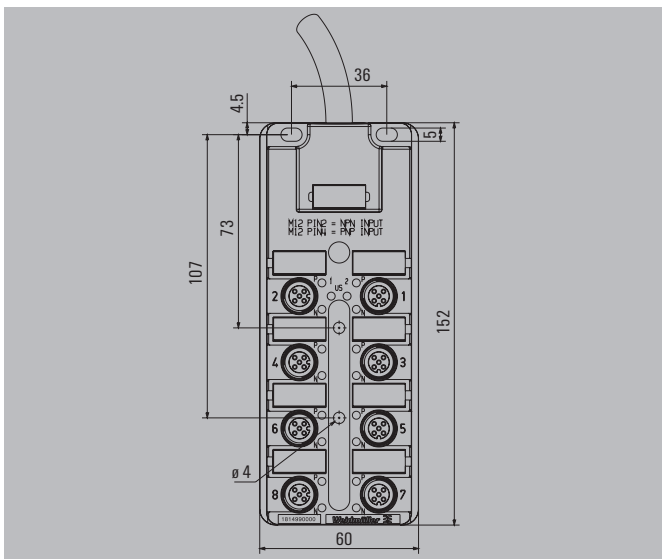
## Ordering data

Type	Qty.	Order No.
Complete module: SAI-4-M 8P M12	1	1807640000
Base separate: SAI-4-M M12 UT	1	1807641000
Matching hood passive: SAI-4/6/8-MH-BL3.5	1	1724750000

**Technical information:** The distributor does not include any signalling LEDs. Supply LEDs and electrical isolation are provided

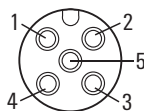
# Fixed cable version

## Fixed cable version

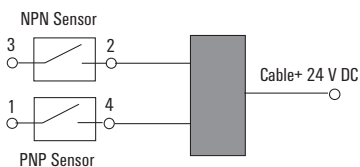


### M12 sockets

Pin 1 = +24 V DC  
 Pin 2 = NPN Input  
 Pin 3 = 0 V DC  
 Pin 4 = PNP Input  
 Pin 5 = PE



### Wiring diagram (schematic)



This distributor includes the option of attaching either a PNP sensor or an NPN sensor with 2 or 3 conductor connection to an M12 socket.

Eight inputs are available in total. In the case of a switched sensor, a + signal on the corresponding wire is connected through and the appropriate LED is illuminated.

The upper LED "N" is illuminated for NPN sensors and the lower LED "P" for PNP sensors. Do not connect a T-piece to the M12 socket.

The existing M12 plug-in connectors are wired in such a manner that the PNP sensor can be connected to pin 4 and the NPN sensor to pin 2.

The distributor has eight channels and 5 m of cable. Other versions are also available.

### Pin assignment

M12 socket	Pin	Function	Pin	Function	Output	Wire colour	Wire size
1	4	PNP	2	NPN	1	white	0.34 mm <sup>2</sup>
2	4	PNP	2	NPN	2	green	0.34 mm <sup>2</sup>
3	4	PNP	2	NPN	3	yellow	0.34 mm <sup>2</sup>
4	4	PNP	2	NPN	4	grey	0.34 mm <sup>2</sup>
5	4	PNP	2	NPN	5	pink	0.34 mm <sup>2</sup>
6	4	PNP	2	NPN	6	red	0.34 mm <sup>2</sup>
7	4	PNP	2	NPN	7	black	0.34 mm <sup>2</sup>
8	4	PNP	2	NPN	8	violet	0.34 mm <sup>2</sup>
all	1	24 V DC				brown	0.75 mm <sup>2</sup>
all	3	0 V DC				blue	0.75 mm <sup>2</sup>
all	5	PE				green/yellow	0.75 mm <sup>2</sup>

### Technical data

Operating voltage	24 V DC ±20 %
Operation temperature	0...80 °C
Storage temperature	-25...80 °C
Ingress protection class	IP 68
PUR cable	5 m
Max. no-load current for 2-wire NPN sensors	2 mA DC

### Ordering data

Type	Qty.	Order No.
SAI-8-F 5P NPN-PNP 5M	1	1814990000

# Overview

## Distributors for system cabling

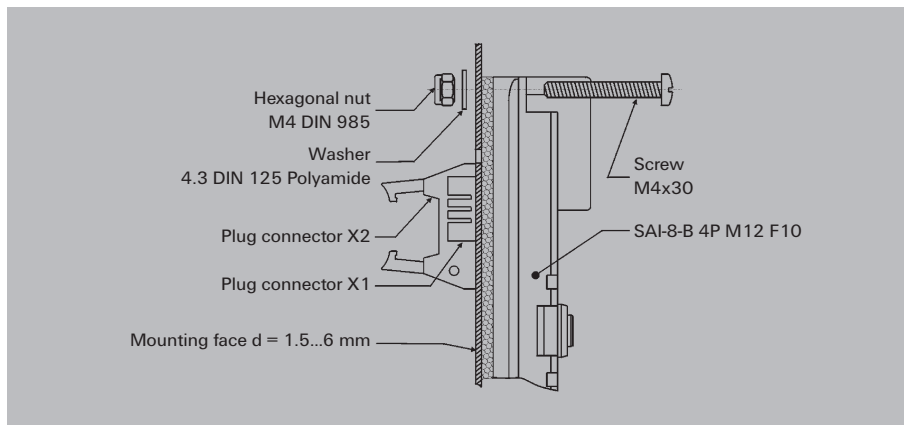
On site distribution is becoming more important. For example, in some places the IP 20 I/O module has to be mounted in housings directly on the machine. This is where a simplified form of wiring is essential.

## Weidmüller now offers two simple solutions

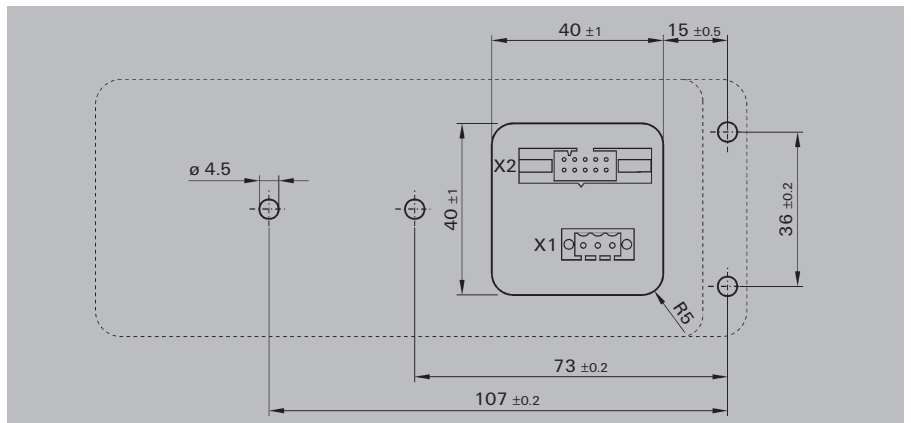
- A distributor equipped at the rear with a standardised ribbon cable connector, which is compatible with the Weidmüller PLC system interface.
- Weidmüller also offers a unique solution for feeding bus cables through panels that can be plugged in from both sides.

## Advantages

- Sensors and actuators can be plugged in from outside
- Through-panel version can be mounted in cut outs in steel panels
- Standardised ribbon cable connector inside
- Plus: M12 through-panel feed that can be plugged in from both sides



## Drilling template



## Advantages of system cabling

### Fast

- Time saving installation
- Reduces commissioning and trouble-shooting times
- On site wiring cuts wiring costs

### Safe

- Reduces installation errors
- Using system cables instead of individual wires improves clarity in control cabinets
- Direct marking corresponding to the PLC

### Variability

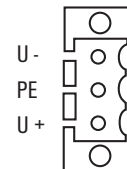
- Additional I/O modules available
- Cable length options
- Easy replacement of I/O interfaces provides flexibility

## Contact assignment

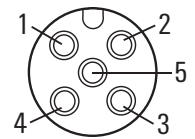
### Male connector X1

M12 socket		Male connector X1
1 ... 8	Pin 1	U +
1 ... 8	Pin 3	U -
1 ... 8	Pin 5	PE

### Male connector X1



### M12 socket

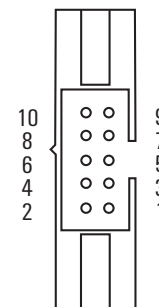


## Contact assignment

### Male connector X2

M12 socket		Male connector X2
1	Pin 4	1
2	Pin 4	2
3	Pin 4	3
4	Pin 4	4
5	Pin 4	5
6	Pin 4	6
7	Pin 4	7
8	Pin 4	8
1 - 8	Pin 1	9
1 - 8	Pin 3	10

### Male connector X2



### Note:

You will find further products for Interface units and PLC solutions in the Electronic catalogue 4.5.

## Technical data

Operating voltage  
Outputs  
Inputs

### Mounting conditions

Mounting surface

Surface temperature  
Ingress protection class

Fixings

### Note:

10 - 30 V (DC)

max. 1 A per channel / max. 8 A in total  
max. 1 A in total

sheet steel, flat, min. 1.5 mm thick, or panels with at least equivalent stability, max. 6 mm thick

max. 40 °C

IP 67/IP 68 only in conjunction with control cabinets with equivalent class of protection

4 screws + washers + nuts / torque: 0.8 Nm

Connect the male connector 3.5 (X1) when using actuators

## Ordering data

Distributor  
Male connector X1

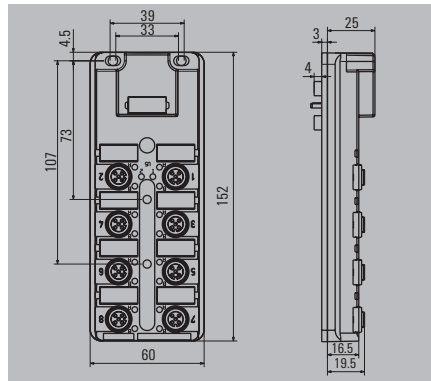
Type	Qty.	Order No.
SAI-8-B 4P M12 F10	1	1812170000
BL 3.50/07/180 SN OR BX	72	1597410000

## M12 wall bushing

### Wall bushing

- PNP switching
- With LEDs

### SAI-8-B 5P M12 SL



### Ordering data

8-channel
Note

### SAI-8-B 5P M12 SL

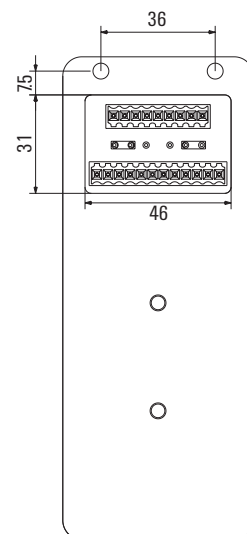
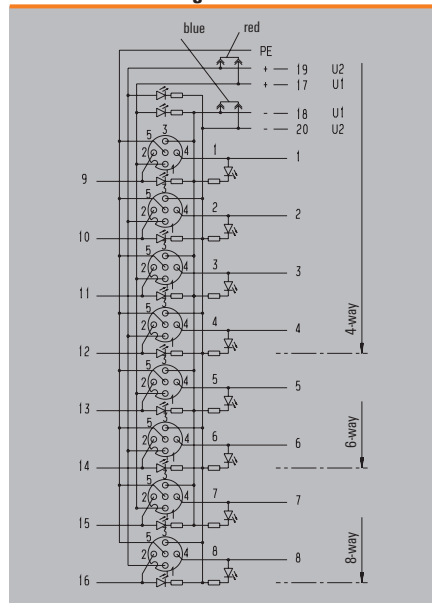
### 5-pole

Type	Qty.	Order No.
SAI-8-B 5P M12 SL	1	1847560000
BL 3.5 connector included in delivery		

### Technical data

Operating voltage	10...30 V
Current of continuous busbars	2 A
Max. current-carrying capacity per slot	3 A
Total current	10 A
Pollution severity	3
Protection degree	IP65
Ambient temperature range	-20...90 °C
Housing main material	Pocan
Contact carrier material	PBT (UL 94 V0)
Base material of contacts	CuZn
Screw socket	Nickel-plated CuZn
Housing colour	grey, RAL 7032
Flammability class UL 94	V-0
Clamping range of hood-version	0.08...1.5 mm <sup>2</sup>
Suitable for dragline cable (fixed cable connection)	No

### Dimensioned drawing



## Pre-assembled hood version

In some cases, it can be advantageous to receive the hoods in pre-assembled form.

Here MF means: basic modules are supplied along with assembled hoods.

Here MHF are the assembled hoods only.

The wire cross-sections are  $3 \times 1 \text{ mm}^2$  and  $n \times 0.34 \text{ mm}^2$ . The quality of conduction is identical to that of fixed cable distributors.

Technical data can be found on pages W.2 and W.9



### SAI distributor with pre-assembled hood Colour-coded cable

Ordering data		4-pole
Type	Length	Order No.
8-channel		
SAI-8-MF 4P PUR 5M	5 m	1799960000
SAI-8-MF 4P PUR 10M	10 m	1789190000

Ordering data		5-pole
Type	Length	Order No.
4-channel		
SAI-4-MF 5P PUR 5M	5 m	1804600000
SAI-4-MF 5P PUR 10M	10 m	1804580000
8-channel		
SAI-8-MF 5P PUR 5M	5 m	1804590000
SAI-8-MF 5P PUR 10M	10 m	9457430000

### Pre-assembled hood Colour-coded cable

Ordering data		4-pole
Type	Length	Order No.
SAI-4/6/8-MHF 4P PUR 4M	4 m	1791450400
SAI-4/6/8-MHF 4P PUR 6M	6 m	1791450600
SAI-4/6/8-MHF 4P PUR 9M	9 m	1791450900
SAI-4/6/8-MHF 4P PUR 14M	14 m	1791451400
SAI-4/6/8-MHF 4P PUR 20M	20 m	1791452000
SAI-4/6/8-MHF 4P PUR 28M	28 m	1791452800
SAI-4/6/8-MHF 4P PUR 34M	34 m	1791453400

### Matching base module

Type	Qty.	Order No.
SAI-4-M-4PM12UT	1	1705921000
SAI-6-M-4PM12UT	1	1705931000
SAI-8-M-4PM12UT	1	1705941000

### Pre-assembled hood

Ordering data		5-pole
Type	Length	Order No.
SAI-4/6/8-MHF 5P PUR 4M	4 m	1791460400
SAI-4/6/8-MHF 5P PUR 6M	6 m	1791460600
SAI-4/6/8-MHF 5P PUR 9M	9 m	1791460900
SAI-4/6/8-MHF 5P PUR 10M	10 m	1791461000
SAI-4/6/8-MHF 5P PUR 14M	14 m	1791461400
SAI-4/6/8-MHF 5P PUR 16M	16 m	1791461600
SAI-4/6/8-MHF 5P PUR 20M	20 m	1791462000
SAI-4/6/8-MHF 5P PUR 28M	28 m	1791462800
SAI-4/6/8-MHF 5P PUR 34M	34 m	1791463400
SAI-4/6/8-MHF 5P PUR 40M	40 m	1791464000
SAI-4/6/8-MHF 5P PUR 50M	50 m	1791465000
SAI-4/6/8-MHF 5P PUR 55M	55 m	1791465500

### Matching base module

Type	Qty.	Order No.
SAI-4-M-5PM12UT	1	1701231000
SAI-6-M-5PM12UT	1	1701241000
SAI-8-M-5PM12UT	1	1701251000

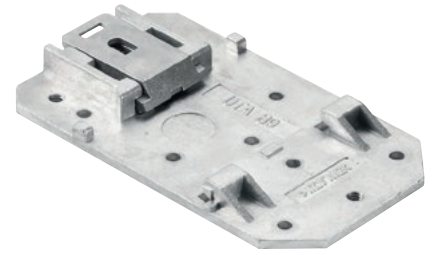
M12 distributor accessories

Protective cap for hooded distributor, empty,  
Terminal rail foot for distributor

SAI-4/6/8-MH LEER



SAI-TS35 MF



Ordering data

Mounting hood	Empty
Note	

SAI-4/6/8-MH LEER

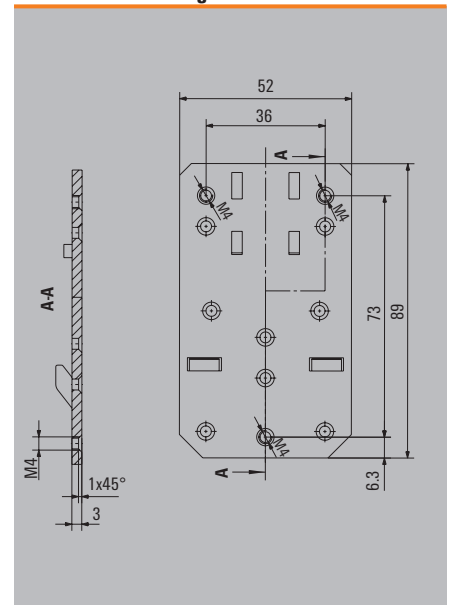
4-pole

Type	Qty.	Order No.
SAI-4/6/8-MH LEER	1	1783460000
Other versions on request		

SAI-TS35 MF

Type	Qty.	Order No.
SAI-TS35 MF	1	1917400000

Dimensioned drawing







## Passive M8 distributors

As industrialisation advances, more and more sensors and actuators are being used in the field. To bundle these many different cables and avoid long cable lengths, we recommend using passive sensor-actuator distributors.

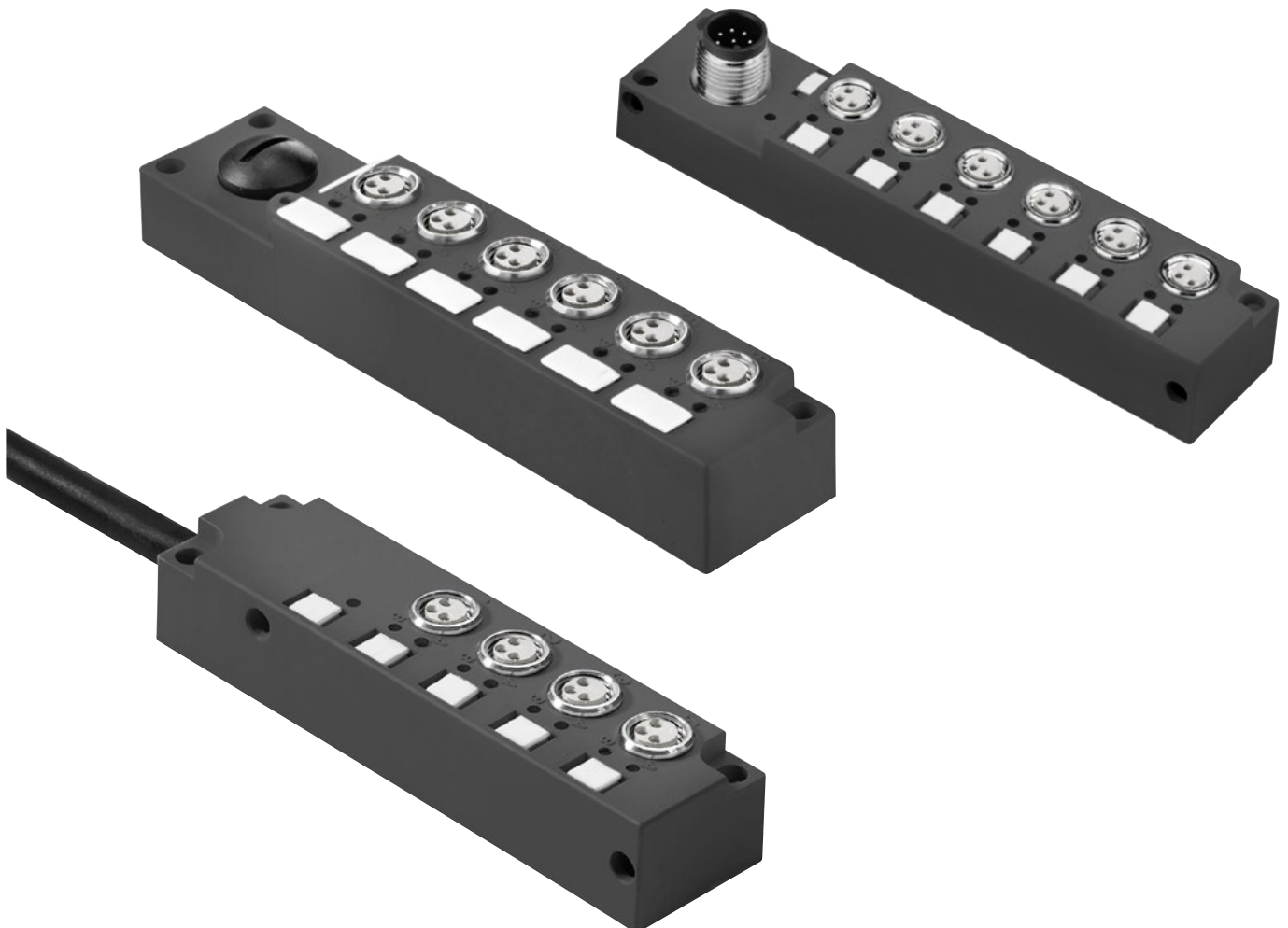
**We offer M8 distributors for your application, tailored to your requirements! Special wiring or fitting options are available upon request!**

### Range of connection options:

- Cover versions
- Fixed cable versions
- M12 / M16 / M23 group output

### Housing variants

- Line (single row) and standard distributors (double row)
- 4, 6, 8, 10 and 12x distribution
- 3 and 4-pole I/O sockets
- Plastic and metal housing

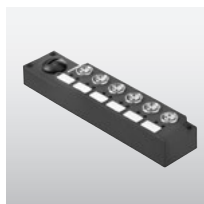




### Safe wiring

---

100% safety with pre-assembled distributors



### Directly on the PCB

---

Custom versions are also available.  
This is the PCB connection module.



### Space-saving

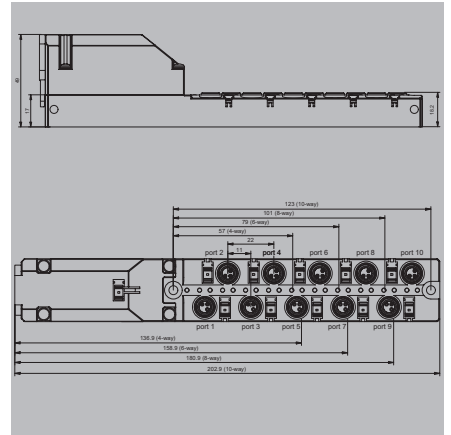
---

The line version has a very small size.

## M8 distributors

### Hood version with PUSH IN connection

- PNP switching
- Hoods with plastic screw connection



### Ordering data

Complete modules	
with LEDs	4 plug-in stations
with LEDs	6 plug-in stations
with LEDs	8 plug-in stations
with LEDs	10 plug-in stations
Base unit	
with LEDs	4 plug-in stations
with LEDs	6 plug-in stations
with LEDs	8 plug-in stations
with LEDs	10 plug-in stations
Mounting hood with assembled cable	
5.0 m, PUR	4 plug-in stations
5.0 m, PUR	6 plug-in stations
5.0 m, PUR	8 plug-in stations
5.0 m, PUR	10 plug-in stations
10.0 m, PUR	4 plug-in stations
10.0 m, PUR	6 plug-in stations
10.0 m, PUR	8 plug-in stations
10.0 m, PUR	10 plug-in stations
Mounting hood empty	
	PUSH IN connection
Note	

### SAI-04/06/08/10Z

Type	Qty.	Order No.	3-pole
SAI-04Z-VPPP-3A-M08L-PNP	1	2818930000	
SAI-06Z-VPPP-3A-M08L-PNP	1	2818940000	
SAI-08Z-VPPP-3A-M08L-PNP	1	2818950000	
SAI-10Z-VPPP-3A-M08L-PNP	1	2818960000	
SAI-04Z-VPUT-3A-M08L-PNP	1	2819010000	
SAI-06Z-VPUT-3A-M08L-PNP	1	2819020000	
SAI-08Z-VPUT-3A-M08L-PNP	1	2819030000	
SAI-10Z-VPUT-3A-M08L-PNP	1	2819040000	
SAI-04Z-MXPP-3A-M08L-PNP-05U01	1	2819090000	
SAI-06Z-MXPP-3A-M08L-PNP-05U02	1	2819100000	
SAI-08Z-MXPP-3A-M08L-PNP-05U03	1	2819110000	
SAI-10Z-MXPP-3A-M08L-PNP-05U04	1	2819120000	
SAI-04Z-MXPP-3A-M08L-PNP-10U01	1	2819130000	
SAI-06Z-MXPP-3A-M08L-PNP-10U02	1	2819140000	
SAI-08Z-MXPP-3A-M08L-PNP-10U03	1	2819150000	
SAI-10Z-MXPP-3A-M08L-PNP-10U04	1	2819160000	
SAI-XXZ-MXPP-4X-M08X-XXX	1	2819250000	

Plastic screw connection included in the standard scope of delivery.

### SAI-04/06/08/10Z

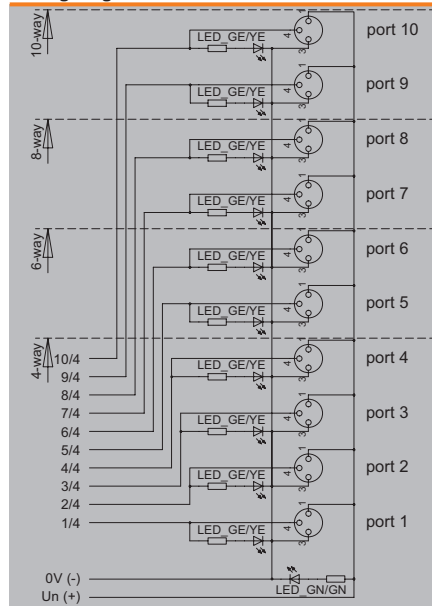
Type	Qty.	Order No.	4-pole
SAI-04Z-VPPP-4A-M08L-PNP	1	2818970000	
SAI-06Z-VPPP-4A-M08L-PNP	1	2818980000	
SAI-08Z-VPPP-4A-M08L-PNP	1	2818990000	
SAI-10Z-VPPP-4A-M08L-PNP	1	2819000000	
SAI-04Z-VPUT-4A-M08L-PNP	1	2819050000	
SAI-06Z-VPUT-4A-M08L-PNP	1	2819060000	
SAI-08Z-VPUT-4A-M08L-PNP	1	2819070000	
SAI-10Z-VPUT-4A-M08L-PNP	1	2819080000	
SAI-04Z-MXPP-4A-M08L-PNP-05U03	1	2819170000	
SAI-06Z-MXPP-4A-M08L-PNP-05U05	1	2819180000	
SAI-08Z-MXPP-4A-M08L-PNP-05U06	1	2819190000	
SAI-10Z-MXPP-4A-M08L-PNP-05U07	1	2819200000	
SAI-04Z-MXPP-4A-M08L-PNP-10U03	1	2819210000	
SAI-06Z-MXPP-4A-M08L-PNP-10U05	1	2819220000	
SAI-08Z-MXPP-4A-M08L-PNP-10U06	1	2819230000	
SAI-10Z-MXPP-4A-M08L-PNP-10U07	1	2819240000	
SAI-XXZ-MXPP-4X-M08X-XXX	1	2819250000	

Plastic screw connection included in the standard scope of delivery.

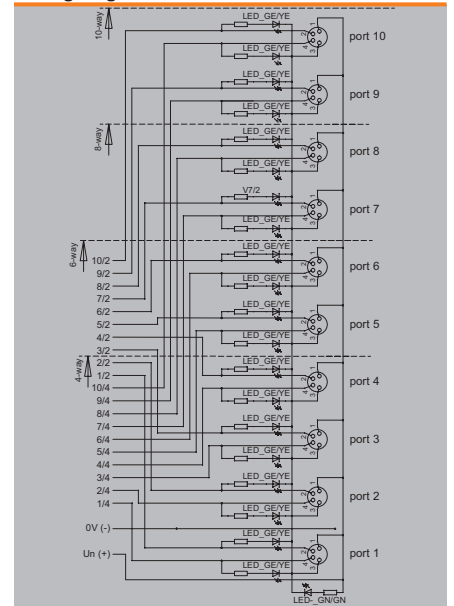
### Technical data

Operating voltage	15...30 V
Current of continuous busbars	2 A
Max. current-carrying capacity per slot	4 A
Total current	6 A
Pollution severity	3
Protection degree	IP67
Ambient temperature range	-25...80 °C
Housing main material	PBT
Contact carrier material	PBT (UL 94 V0)
Base material of contacts	CuZn
Screw socket	Nickel-plated CuZn
Housing colour	black (similar to RAL 9005)
Flammability class UL 94	V-0
Clamping range of hood-version	0.08...1.5 mm <sup>2</sup>
Suitable for dragline cable	No
(fixed cable connection)	

### Wiring diagram



### Wiring diagram

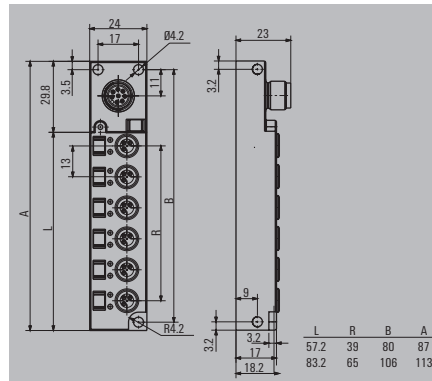


**Line with M12 group outlet**

- PNP switching
- With LEDs

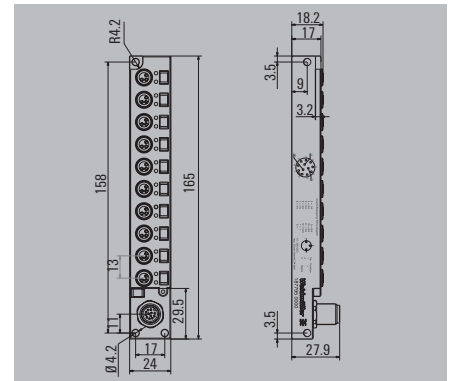
**SAI-4/6-S**

M12 outlet, 8-pole



**SAI-8/10-S**

M12 outlet, 12-pole



**Ordering data**

3-pole	
	4 plug-in stations
	6 plug-in stations
	10 plug-in stations
	8 plug-in stations
3-pole only Power LED for analogue signals	
	4 plug-in stations
	6 plug-in stations
Note	

**SAI-4/6-S**

**M12**

Type	Qty.	Order No.
SAI-04L-VP12-3A-M08L-PNP	1	1828740000
SAI-06L-VP12-3A-M08L-PNP	1	1828730000
SAI-04L-VP12-3A-M080-PNP	1	1051760000
SAI-06L-VP12-3A-M080-PNP	1	1932380000
Other versions on request		

**SAI-8/10-S**

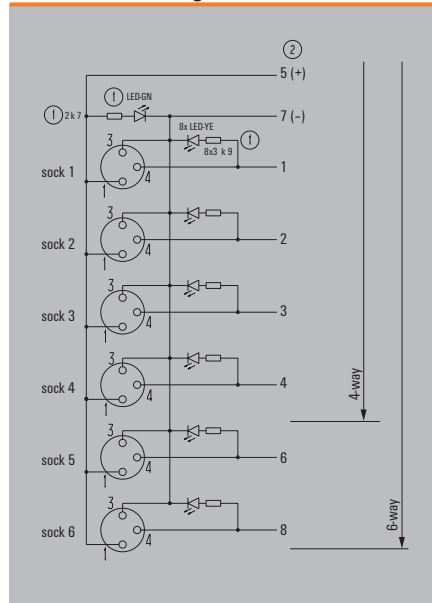
**M12**

Type	Qty.	Order No.
SAI-10L-VP12-3A-M08L-PNP	1	1877950000
SAI-08L-VP12-3A-M08L-PNP	1	1871680000
Other versions on request		

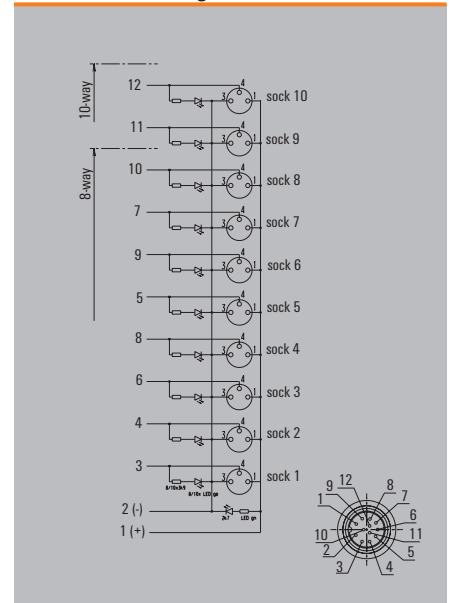
**Technical data**

Operating voltage	10...30 V
Current of continuous busbars	1 A
Max. current-carrying capacity per slot	2 A
Total current	6 A
Pollution severity	3
Protection degree	IP68
Ambient temperature range	-25...80 °C
Housing main material	PBT
Contact carrier material	PBT (UL 94 V0)
Base material of contacts	CuZn
Screw socket	Nickel-plated CuZn
Housing colour	black (similar to RAL 9005)
Flammability class UL 94	V-0
Clamping range of hood-version	...
Suitable for dragline cable (fixed cable connection)	No

**Dimensioned drawing**



**Dimensioned drawing**



## M8 distributors

### Line

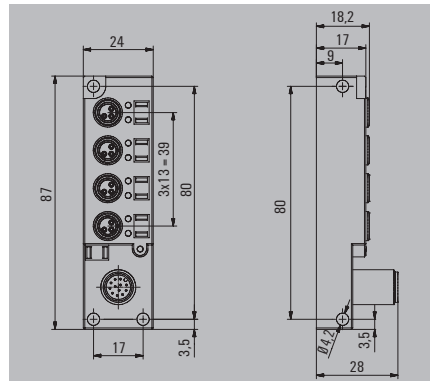
1:1

#### with M12 group outlet

- PNP switching
- With LEDs

### SAI-4-S12 M8 L 1:1

M12 outlet, 12-pole



### Ordering data

3-pole	4 plug-in stations
Note	

### SAI-4-S12 M8 L 1:1

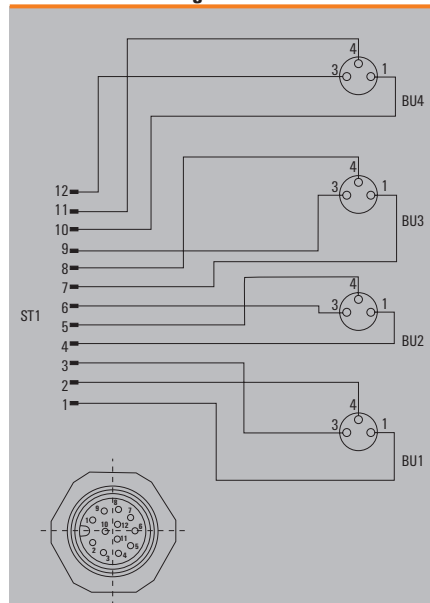
### M12

Type	Qty.	Order No.
SAI-04L-VP12-3A-M08L-1:1	2	1449400000
Other versions on request		

### Technical data

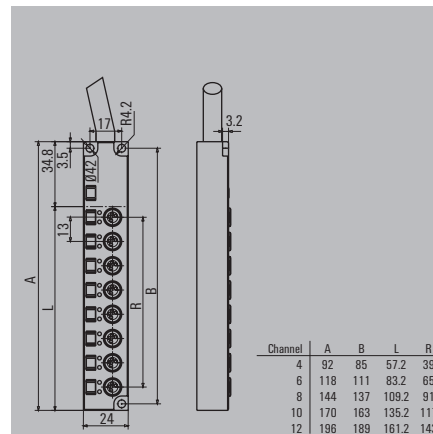
Operating voltage	10...30 V
Current of continuous busbars	1 A
Max. current-carrying capacity per slot	2 A
Total current	6 A
Pollution severity	3
Protection degree	IP68
Ambient temperature range	-25...80 °C
Housing main material	PBT
Contact carrier material	PBT (UL 94 V0)
Base material of contacts	CuZn
Screw socket	Nickel-plated CuZn
Housing colour	black (similar to RAL 9005)
Flammability class UL 94	V-0
Clamping range of hood-version	...
Suitable for dragline cable (fixed cable connection)	No

### Dimensioned drawing



Line / Fixed cable version

- PNP switching
- With LEDs



Ordering data

Cable length 5 m (with fixed cable version)	
4 plug-in stations	
6 plug-in stations	
10 plug-in stations	
8 plug-in stations	
12 plug-in stations	
Cable length 10 m (with fixed cable version)	
4 plug-in stations	
6 plug-in stations	
10 plug-in stations	
8 plug-in stations	
12 plug-in stations	

Note

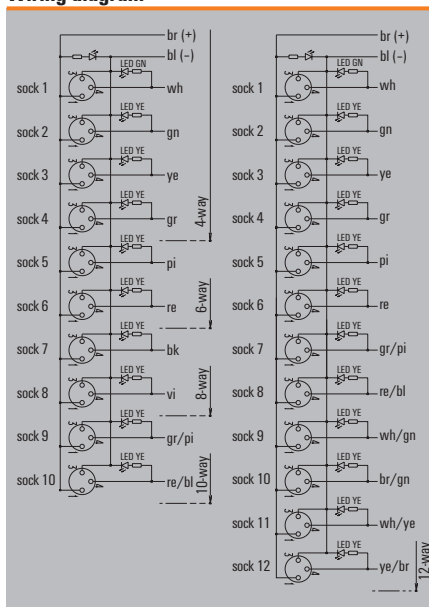
SAI-4/6/8/10/12-L		3-pole	
Type	Qty.	Order No.	
SAI-04L-VPFC-3A-M08L-PNP-05U01	1	1828720000	
SAI-06L-VPFC-3A-M08L-PNP-05U02	1	1828700000	
SAI-10L-VPFC-3A-M08L-PNP-05U04	1	1828660000	
SAI-08L-VPFC-3A-M08L-PNP-05U03	1	1828680000	
SAI-12L-VPFC-3A-M08L-PNP-05U05	1	1828640000	
SAI-04L-VPFC-3A-M08L-PNP-10U01	1	1828710000	
SAI-06L-VPFC-3A-M08L-PNP-10U02	1	1828690000	
SAI-10L-VPFC-3A-M08L-PNP-10U04	1	1828650000	
SAI-08L-VPFC-3A-M08L-PNP-10U03	1	1828670000	
SAI-12L-VPFC-3A-M08L-PNP-10U05	1	1828630000	

SAI-4/6/8/10/12-L		4-pole	
Type	Qty.	Order No.	
SAI-04L-VPFC-4A-M08L-PNP-05U03	1	1849680000	
SAI-06L-VPFC-4A-M08L-PNP-05U05	1	1849700000	
SAI-08L-VPFC-4A-M08L-PNP-05U06	1	1828620000	
SAI-04L-VPFC-4A-M08L-PNP-10U03	1	1849690000	
SAI-06L-VPFC-4A-M08L-PNP-10U05	1	1849670000	
SAI-08L-VPFC-4A-M08L-PNP-10U06	1	1828610000	

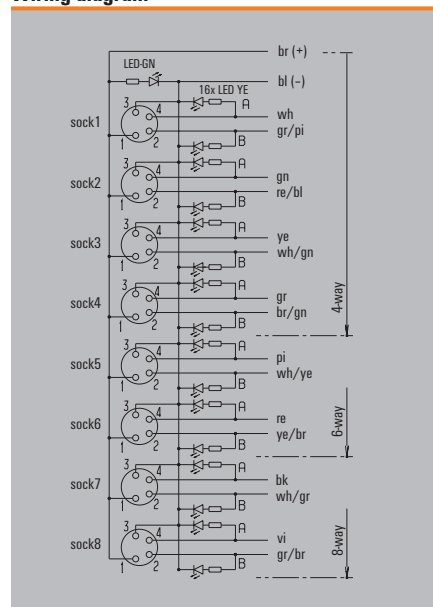
Technical data

Operating voltage	10...30 V
Current of continuous busbars	1 A
Max. current-carrying capacity per slot	2 A
Total current	6 A
Pollution severity	3
Protection degree	IP68
Ambient temperature range	-25...80 °C
Housing main material	PBT
Contact carrier material	PBT (UL 94 V0)
Base material of contacts	CuZn
Screw socket	Nickel-plated CuZn
Housing colour	black (similar to RAL 9005)
Flammability class UL 94	V-0
Clamping range of hood-version	...
Suitable for dragline cable (fixed cable connection)	Yes

Wiring diagram



Wiring diagram



## M8 distributors

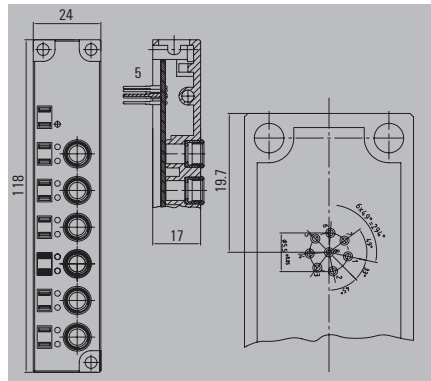
### Line

#### For the printed circuit board

- PNP switching
- With LEDs

### SAI-6-S M8 L SL

Solder contacts (8-pole) on the bottom side



### Ordering data

<b>3-pole</b>	6 plug-in stations
<b>Note</b>	

### SAI-6-S M8 L SL

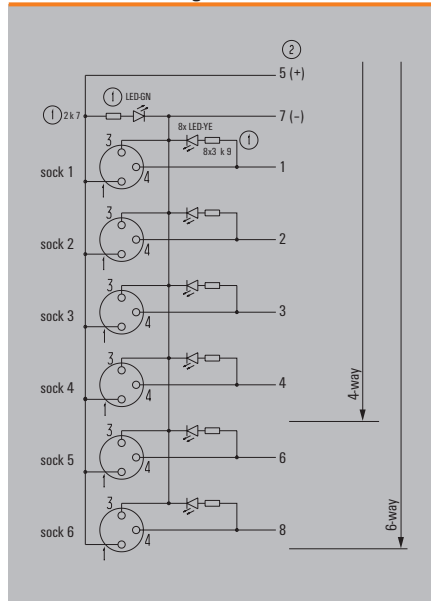
**3-pole**

Type	Qty.	Order No.
SAI-6-S 3P M8 L SL	1	1057720000
Other versions on request		

### Technical data

Operating voltage	10...30 V
Current of continuous busbars	1 A
Max. current-carrying capacity per slot	2 A
Total current	6 A
Pollution severity	3
Protection degree	IP68
Ambient temperature range	-25...80 °C
Housing main material	Pocan
Contact carrier material	PBT (UL 94 V0)
Base material of contacts	CuZn
Screw socket	Nickel-plated CuZn
Housing colour	grey, RAL 7032
Flammability class UL 94	V-0
Clamping range of hood-version	...
Suitable for dragline cable (fixed cable connection)	No

### Dimensioned drawing





# Distributor with integrated logic

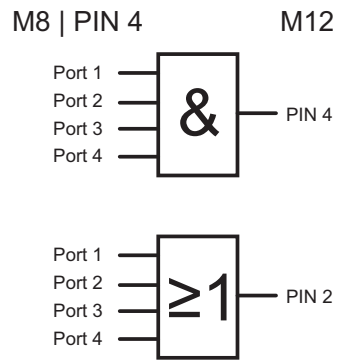
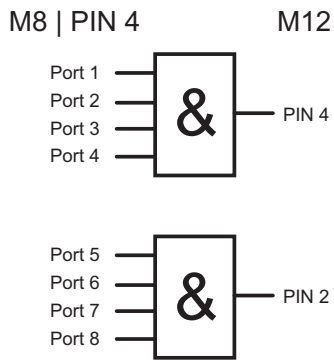
<b>Distributor with integrated logic</b>	Introduction	F.2
	Distributor with integrated logic	F.3
	Terminator resistor - Bridge	F.5

# Distributor with integrated logic

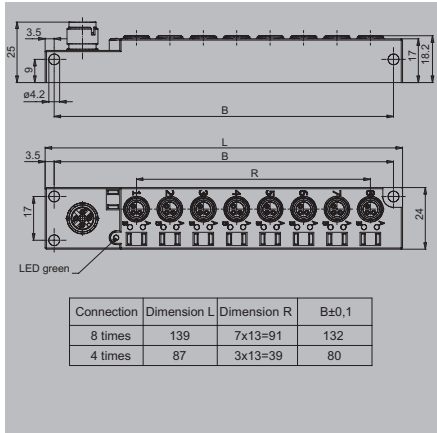
In mechanical engineering, many sensors have to be wired and combined on a regular basis. For this, it is usually necessary to carry out the complete wiring to the PLC. Distributors with integrated logic from Weidmüller can convert logical links in the distributor, thereby shortening installation time.

## Your special advantages

- Very small design
- Combination of four signals to an AND or OR circuit
- Connection via a four-pin M12 connector



**And-Conjunction with M12 outlet**



**Ordering data**

Complete modules	
	4 plug-in stations
	8 plug-in stations
Note	

SAI-4-S		3-pole	
Type	Qty.	Order No.	
SAI-04L-VP12-3A-M08L-AND	1	2512800000	

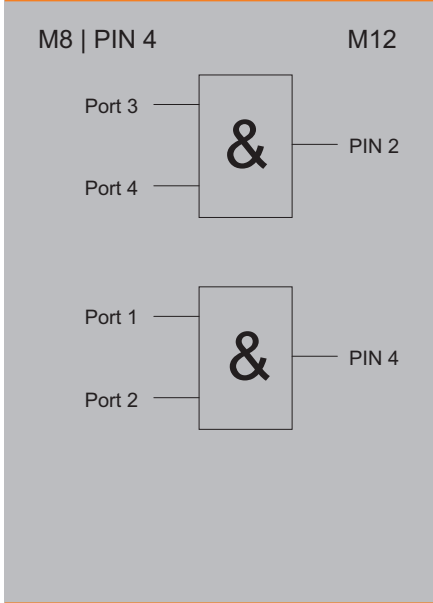
SAI-8-S		3-pole	
Type	Qty.	Order No.	
SAI-08L-VP12-3A-M08L-AND	1	2512820000	



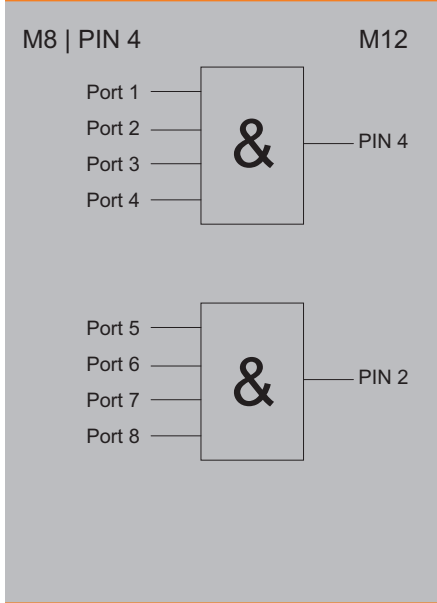
**Technical data**

Operating voltage	15...30 V
Current of continuous busbars	
Max. current-carrying capacity per slot	500 mA
Total current	2 A
Pollution severity	3
Protection degree	IP67
Ambient temperature range	-20...90 °C
Housing main material	PBT
Contact carrier material	PBT (UL 94 V0)
Base material of contacts	Nickel-plated CuZn
Screw socket	Nickel-plated CuZn
Housing colour	black (similar to RAL 9005)
Flammability class UL 94	V-0
Clamping range of hood-version	...
Suitable for dragline cable (fixed cable connection)	No

**Wiring diagram**

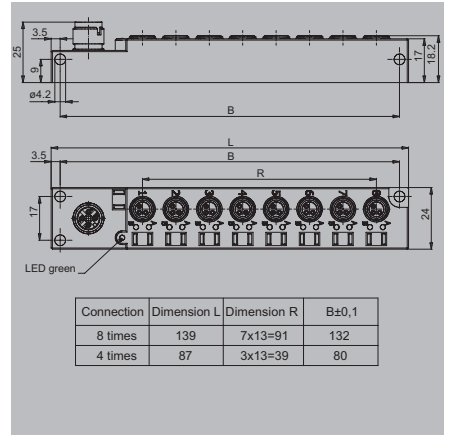


**Wiring diagram**



**Distributor with integrated logic**

**And-/Or-Conjunction with M12 outlet**



**Ordering data**

Complete modules	
	4 plug-in stations
	8 plug-in stations
Note	

**SAI-4-S**

**3-pole**

Type	Qty.	Order No.
SAI-04L-VP12-3A-M08L-LOG	1	2512390000

**SAI-8-S**

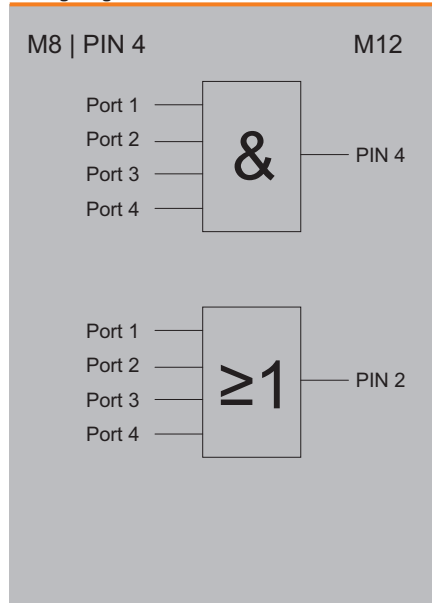
**3-pole**

Type	Qty.	Order No.
SAI-08L-VP12-3A-M08L-LOG	1	2512810000

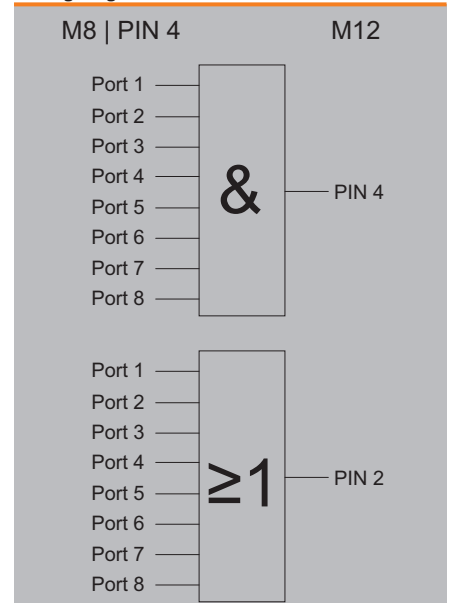
**Technical data**

Operating voltage	15...30 V
Current of continuous busbars	
Max. current-carrying capacity per slot	500 mA
Total current	2 A
Pollution severity	3
Protection degree	IP67
Ambient temperature range	-20...90 °C
Housing main material	PBT
Contact carrier material	PBT (UL 94 V0)
Base material of contacts	Nickel-plated CuZn
Screw socket	Nickel-plated CuZn
Housing colour	black (similar to RAL 9005)
Flammability class UL 94	V-0
Clamping range of hood-version	...
Suitable for dragline cable (fixed cable connection)	No

**Wiring diagram**



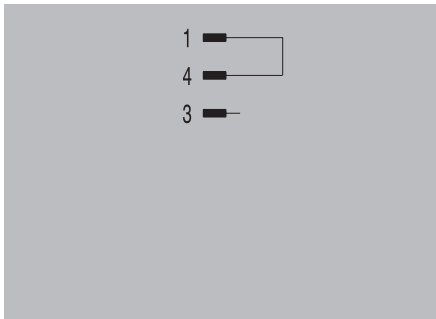
**Wiring diagram**



Terminator resistor - Bridge

M8

Bridge between 1+4



Ordering data

Type	Qty.	Order No.
SAIEND 1/4 M8G 3P	1	2662450000
Other versions on request		





# Weidmüller Industry Light (WIL)

<b>Weidmüller Industry Light (WIL)</b>	Introduction	G.2
	Explanation of the abbreviations of the WIL family	G.7
	Weidmüller Industry Light - Series WIL	G.8
	Weidmüller Industry Light - Series WIL - Accessories	G.21
	Weidmüller Industry Light - Series WIL-L	G.26
	Weidmüller Industry Light - Series WIL-E	G.30
	Weidmüller Industry Light - Series WIL-S	G.33
	LED expertise	G.35
	LED portfolio	G.36

# Innovative illumination for your application technology and industrial environment

## G

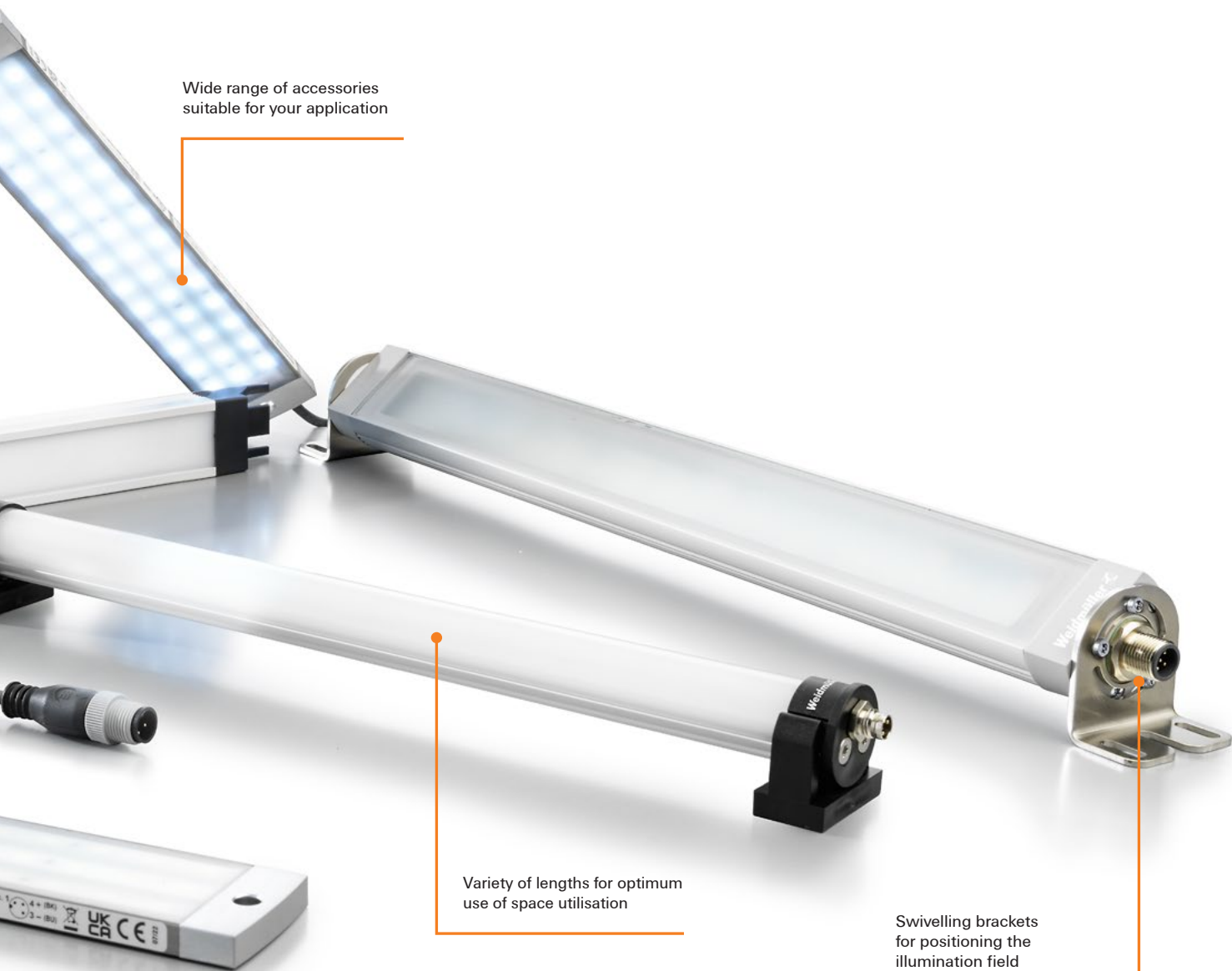
Open end, M12 or M8  
Connection for individual  
use in the field and machines

Different IP protection degrees  
for your requirements

Simple and direct mounting







Wide range of accessories suitable for your application

Variety of lengths for optimum use of space utilisation

Swivelling brackets for positioning the illumination field

# Optimal illumination for control cabinets and field application

## Weidmüller Industry Light (WIL) - a solution for all requirements

The control cabinet is often a working area that is poorly lit. There is a demand here for a space-saving, bright yet affordable solution. The WIL all-rounder was developed in close cooperation with the industry and is the answer to its specialist requirements.

The compact LED light illuminates the surroundings with a wide beam of light. Its mounting dimensions perfectly meet the requirements of a standard control cabinet, the robust IP67 housing makes the WIL particularly suitable for industrial use, and means that it can be mounted in the control cabinet or directly in the field.



# The new WIL series: L, E and S

## Perfectly tailored to your application

Thanks to the voltage range of 12...30 V (Premium variants), the new WIL series are perfectly tailored to various individual applications. The light color of 5700 K can also be continuously dimmed for all luminaires.

### L-Series



#### Protected

Different covers for the LEDs make the luminaire ideal for use in machine interiors.

#### Easy to connect

Thanks to M12 connection technology, the lights are easy to connect via plug-and-play.

#### Easy to mount and swivel

The rotatable mounting brackets with existing drill holes allow a flawless direct mounting and subsequent positioning of the lighting field.

#### Modular series connection

With only one power supply, the luminaire enables modular series connection.

### E-Series



#### Protected

The lens made of robust PMMA not only provides the necessary protection, but also ensures homogeneous illumination.

#### Easy to connect

Thanks to M8 connection technology, the lights are easy to connect via plug-and-play.

#### Focused light

With focused rather than diffused light, the luminaire provides an optimal way to illuminate individual work areas.

### S-Series



#### Robust and protected

Thanks to full encapsulation of the premium variant, high tightness and additional protection against ingress of solid foreign bodies  $\geq 1.0\text{mm}$  (IP69). This enables use in machine interiors.

#### Easy to connect

Thanks to M8 connection technology, the lights are easy to connect via plug-and-play.

#### Compact design

Different lengths and a flat installation height of approx. 18mm allow optimal space saving in machines and systems.

**Introduction**



	<b>WIL</b>	<b>WIL-E</b>	<b>WIL-L</b>	<b>WIL-S</b>
Voltage	24 V DC	24 V DC Standard / 12...30 V DC Professional	24 V DC Standard / 12...30 V DC Professional	24 V DC Standard / 12...30 V DC Professional
<b>Technical features</b>				
Length	145...865 mm	140...1400 mm	190...1040 mm	140...1400 mm
Height	8 mm	35 mm	42 mm	17,5 mm
Protection degree	IP67	IP54	IP67	IP40 - IP69K
Material of LED cover	PUR potting	PMMA	PMMA and ESG*	PUd potting and PMMA
Connection type	M12 incl. cable	M8	M12	M8
Light colour	2700...6500 K	5700 K	5700 K	5700 K
Swiveling	No	Yes	Yes	No
Mounting type	Magnet, Srew	Srew	Srew	Srew
Dimmability	Yes	Yes	Yes	Yes
Temperature range	-20...60 °C	-20...45 °C	-20...45 °C	-20...45 °C
Lifetime at 21°C	60.000 h	60.000 h	60.000 h	60.000 h
Approvals	CE, cULus	CE, cURus	CE, cURus	CE, cURus
<b>Applications</b>				
Control cabinet lighting	●	○	○	○
Standard mechanical engineering	●	●	●	●
Logistic	●	●	●	●
Machine tools incl. lubricants	-	-	●	○
Highest requirements for indoor and outdoor use (IP69K)	-	-	-	●
Fire protection areas (Weights for fire load on request)	-	-	-	●

\* Toughened safety glass

# Designation key of the WIL families



## Designation key WIL

WIL - LRXXXX		- XXXX		D		024		- 450		MF		X5.0		O		M12WM12W	
LWXXXX	LED white	2700	2700 Kelvin	A	AC	012	12 V	145	145 mm	MF	Magnet mounting	X0.3	elec. wire 0.3 m	O	orange wire	M12GXXXX	M12 male straight
LBXXXX	LED blue	4000	4000 Kelvin	D	DC	024	24 V	240	240 mm	SX	screw mounting	X1.5	elec. wire 1.5 m	B	black wire	M12GM12G	M12 male straight to M12 female straight
LGXXXX	LED green	5700	5700 Kelvin	...	...	...	...	350	350 mm	MP	magnetic point mounting	X3.0	elec. wire 3.0 m	G	green wire	M12WXXXX	M12 angled male
LRXXXX	LED red	6500	6500 Kelvin	...	...	...	...	450	450 mm	CX	clip mounting	X5.0	elec. wire 5.0 m	...	...	M12GM12W	M12 male angled straight to M12 female
LYXXXX	LED yellow	WXXX	different wavelengths	...	...	...	...	555	555 mm	...	...	10.0	elec. wire 10 m	...	...	M12WM12W	M12 angled male to M12 female angled
LRYGXX	LED (red, yellow, green)	XXXX	place holder	...	...	...	...	655	655 mm	...	...	...	...	...	...	CVPXXXXX	Cigarette vehicle plug
LRGBXX	LED (red, green, blue)	...	...	...	...	...	...	765	765 mm	...	...	...	...	...	...	XXXXXXX	open cable end
LRGBWX	LED (red, green, blue, white)	...	...	...	...	...	...	860	860 mm	...	...	...	...	...	...	...	...



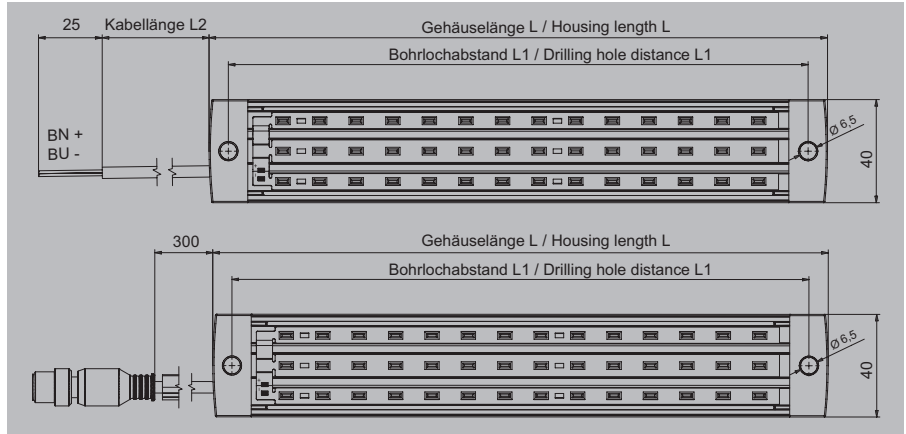
## Designation key WIL-E, -S and -L

WIL - L		XXXX		- RXSS		4000		- X190		M12X		S	
L	L-Series	XXXX	LED white	RXSS	Round Standard Swiveling	4000	4000 Kelvin	X140	140 mm	M12X	M12 male straight	S	Screw connection
E	E-Series	RGBX	LED (red, green, blue)	RXPS	Round Pro Swiveling	5000	5000 Kelvin	X190	190 mm	M12D	M12 male straight to M12 female straight	N	Groove connection
S	S-Series	RGBW	LED (red, green, blue, white)	RHPS	Round High Class Swiveling	5700	5700 Kelvin	X280	280 mm	M8XX	M8 male straight	X0	angle of radiation 0°
...	...	...	...	FXXF	Flat Standard Fixed	6500	6500 Kelvin	X365	365 mm	M8DX	M8 male straight to M8 female straight	30	angle of radiation 30°
...	...	...	...	FXXF	Flat Pro Fixed	...	...	X420	420 mm	...	...	60	angle of radiation 60°
...	...	...	...	FPPF	Flat Potting Pro Fixed	...	...	X540	540 mm	...	...	...	...
...	...	...	...	...	...	...	...	X560	560 mm	...	...	...	...
...	...	...	...	...	...	...	...	X700	700 mm	...	...	...	...
...	...	...	...	...	...	...	...	X715	715 mm	...	...	...	...
...	...	...	...	...	...	...	...	X840	840 mm	...	...	...	...
...	...	...	...	...	...	...	...	X980	980 mm	...	...	...	...
...	...	...	...	...	...	...	...	1040	1040 mm	...	...	...	...
...	...	...	...	...	...	...	...	1120	1120 mm	...	...	...	...

**Weidmüller Industry Light – Series WIL**

Light colour 6500K

Black cable, screw connection



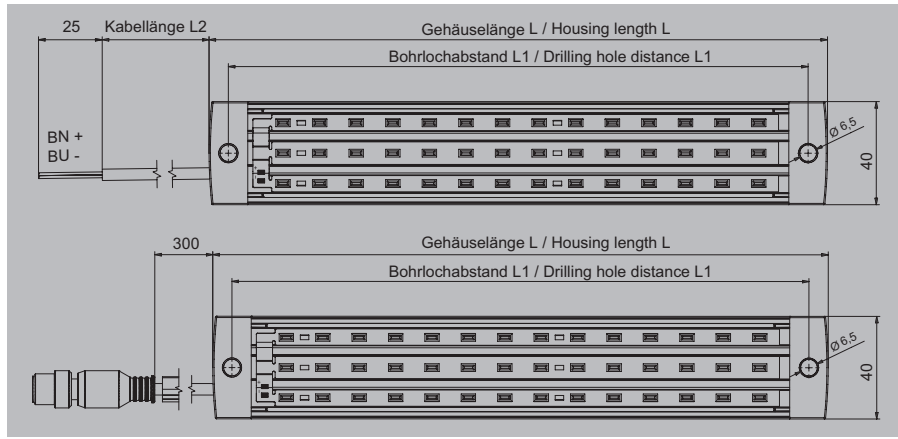
**Technical data**

Rated voltage	24 V DC
Wiring	Pin 4 (Strand: black) control white LED, Pin 3 (Strand: blue)
Protection degree	IP67
Impact resistance	IK05
Depth	40 mm
Height	8 mm
Recommended class according to UL for use of an power supply	NEC Class 2
Approvals	CE; cULus
<b>Note</b>	

**Ordering data**

Type	Cable length	Connection thread	Power	Rated current	Light current	Illumination level	Drill hole spacing	Qty.	Order No.
<b>Housing length 145 mm</b>									
WIL-LWXXXX-6500D024-145SXX0.3BM12GXXXX	0.3 m	M12	3.9 W	0.162 A	340 lm	118 lux	130 mm	1	2535770000
WIL-LWXXXX-6500D024-145SXX5.0BXXXXXXX	5 m	without	3.9 W	0.162 A	340 lm	118 lux	130 mm	1	2535800000
<b>Housing length 240 mm</b>									
WIL-LWXXXX-6500D024-240SXX0.3BM12GXXXX	0.3 m	M12	7.5 W	0.31 A	711 lm	246 lux	225 mm	1	2436210000
WIL-LWXXXX-6500D024-240SXX1.5BXXXXXXX	1.5 m	without	7.5 W	0.31 A	711 lm	246 lux	225 mm	1	2527880000
WIL-LWXXXX-6500D024-240SXX3.0BXXXXXXX	3 m	without	7.5 W	0.31 A	711 lm	246 lux	225 mm	1	2527890000
WIL-LWXXXX-6500D024-240SXX5.0BXXXXXXX	5 m	without	7.5 W	0.31 A	711 lm	246 lux	225 mm	1	2527900000
WIL-LWXXXX-6500D024-240SX10.0BXXXXXXX	10 m	without	7.5 W	0.31 A	711 lm	246 lux	225 mm	1	2527910000
WIL-LWXXXX-6500D024-240SXX0.3BM12GM12G	0.3 m	M12 / M12	7.5 W	0.31 A	711 lm	246 lux	225 mm	1	2576960000
<b>Housing length 350 mm</b>									
WIL-LWXXXX-6500D024-350SXX0.3BM12GXXXX	0.3 m	M12	11.5 W	0.477 A	958 lm	330 lux	335 mm	1	2535810000
WIL-LWXXXX-6500D024-350SXX5.0BXXXXXXX	5 m	without	11.5 W	0.477 A	958 lm	330 lux	335 mm	1	2535820000
<b>Housing length 450 mm</b>									
WIL-LWXXXX-6500D024-450SXX0.3BM12GXXXX	0.3 m	M12	15.2 W	0.631 A	1260 lm	435 lux	435 mm	1	2535830000
WIL-LWXXXX-6500D024-450SXX5.0BXXXXXXX	5 m	without	15.2 W	0.631 A	1260 lm	435 lux	435 mm	1	2535840000
<b>Housing length 555 mm</b>									
WIL-LWXXXX-6500D024-555SXX0.3BM12GXXXX	0.3 m	M12	18.6 W	0.773 A	1579 lm	544 lux	540 mm	1	2535850000
WIL-LWXXXX-6500D024-555SXX5.0BXXXXXXX	5 m	without	18.6 W	0.773 A	1579 lm	544 lux	540 mm	1	2535860000
<b>Housing length 655 mm</b>									
WIL-LWXXXX-6500D024-655SXX0.3BM12GXXXX	0.3 m	M12	23.0 W	0.957 A	1933 lm	666 lux	640 mm	1	2535870000
WIL-LWXXXX-6500D024-655SXX5.0BXXXXXXX	5 m	without	23.0 W	0.957 A	1933 lm	666 lux	640 mm	1	2535880000
<b>Housing length 765 mm</b>									
WIL-LWXXXX-6500D024-765SXX0.3BM12GXXXX	0.3 m	M12	25.7 W	1.07 A	2177 lm	749 lux	750 mm	1	2535890000
WIL-LWXXXX-6500D024-765SXX5.0BXXXXXXX	5 m	without	25.7 W	1.07 A	2177 lm	749 lux	750 mm	1	2535900000
<b>Housing length 860 mm</b>									
WIL-LWXXXX-6500D024-860SXX0.3BM12GXXXX	0.3 m	M12	29.6 W	1.23 A	2473 lm	844 lux	845 mm	1	2535910000
WIL-LWXXXX-6500D024-860SXX5.0BXXXXXXX	5 m	without	29.6 W	1.23 A	2473 lm	844 lux	845 mm	1	2535920000
<b>Note</b>									

Light colour 6500K



Technical data

Rated voltage	24 V DC
Wiring	Pin 4 (Strand: black) control white LED, Pin 3 (Strand: blue)
Protection degree	IP67
Impact resistance	IK05
Depth	40 mm
Height	9.5 mm
Recommended class according to UL for use of an power supply	NEC Class 2
Approvals	CE, cULus
<b>Note</b>	

Ordering data

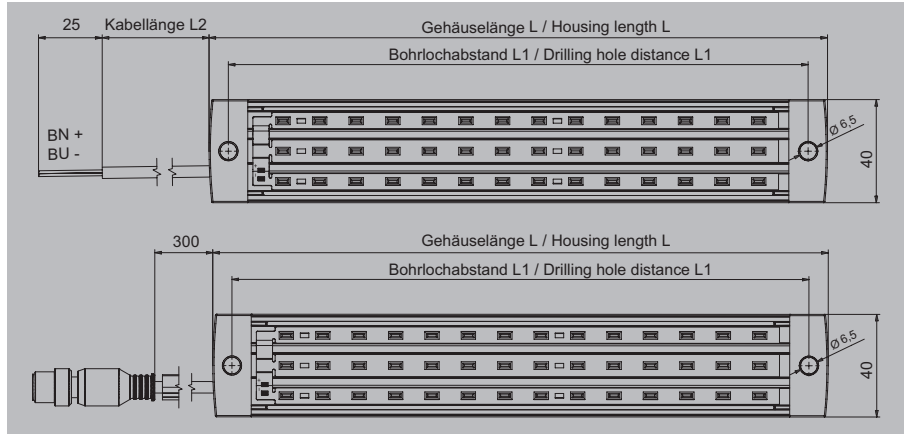
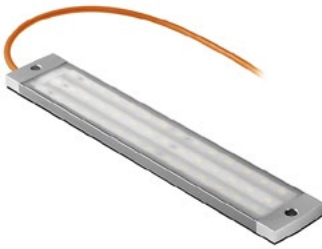
Type	Cable length	Connection thread	Power	Rated current	Light current	Illumination level	Drill hole spacing	Qty.	Order No.
<b>Housing length 145 mm</b>									
WIL-LWXXX-6500D024-145MFX0.3BM12GXXXX	0.3 m	M12	3.9 W	0.162 A	340 lm	118 lux	130 mm	1	2545170000
WIL-LWXXX-6500D024-145MFX1.5BM12GXXXX	1.5 m	M12	3.9 W	0.162 A	340 lm	118 lux	130 mm	1	2669230000
<b>Housing length 240 mm</b>									
WIL-LWXXX-6500D024-240MFX1.5BM12GXXXX	1.5 m	M12	7.5 W	0.31 A	711 lm	246 lux	225 mm	1	2669240000
WIL-LWXXX-6500D024-240MFX1.5BXXXXXXX	1.5 m	without	7.5 W	0.31 A	711 lm	246 lux	225 mm	1	2527920000
WIL-LWXXX-6500D024-240MF10.0BXXXXXXX	10 m	without	7.5 W	0.31 A	711 lm	246 lux	225 mm	1	2527950000
WIL-LWXXX-6500D024-240MFX3.0BXXXXXXX	3 m	without	7.5 W	0.31 A	711 lm	246 lux	225 mm	1	2527930000
WIL-LWXXX-6500D024-240MFX5.0BXXXXXXX	5 m	without	7.5 W	0.31 A	711 lm	246 lux	225 mm	1	2527940000
<b>Note</b>									



**Weidmüller Industry Light – Series WIL**

**Light colour 6500K**

**Orange cable, screw connection**



**Technical data**

Rated voltage	24 V DC
Wiring	Pin 4 (Strand: black) control white LED, Pin 3 (Strand: blue)
Protection degree	IP67
Impact resistance	IK05
Depth	40 mm
Height	8 mm
Recommended class according to UL for use of an power supply	NEC Class 2
Approvals	CE; cULus
<b>Note</b>	

**Ordering data**

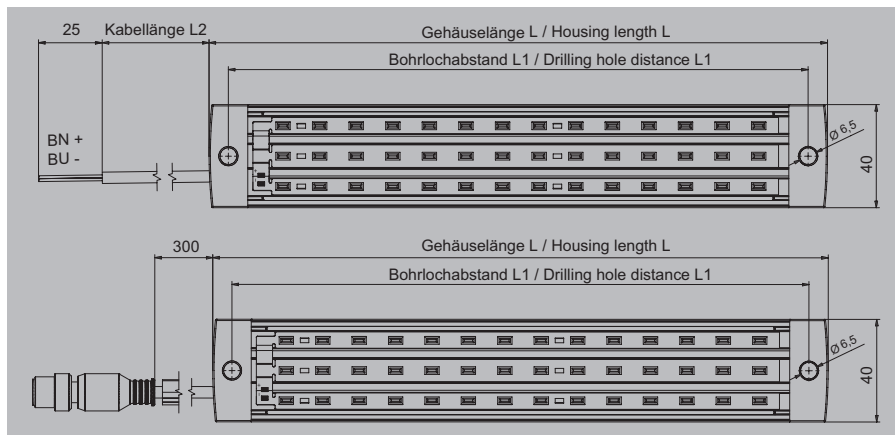
Type	Cable length	Connection thread	Power	Rated current	Light current	Illumination level	Drill hole spacing	Qty.	Order No.
<b>Housing length 240 mm</b>									
WIL-LWXXX-6500D024-240SXX1.50XXXXXXXX	1.5 m	without	7.5 W	0.31 A	711 lm	246 lux	225 mm	1	2527960000
WIL-LWXXX-6500D024-240SXX3.50XXXXXXXX	3 m	without	7.5 W	0.31 A	711 lm	246 lux	225 mm	1	2527970000
WIL-LWXXX-6500D024-240SXX5.00XXXXXXXX	5 m	without	7.5 W	0.31 A	711 lm	246 lux	225 mm	1	2527980000
WIL-LWXXX-6500D024-240SXX10.00XXXXXXXX	10 m	without	7.5 W	0.31 A	711 lm	246 lux	225 mm	1	2527990000
<b>Note</b>									





Light colour 5700K

**Black cable, screw connection**



**Technical data**

Rated voltage	24 V DC
Wiring	Pin 4 (Strand: black) control white LED, Pin 3 (Strand: blue)
Protection degree	IP67
Impact resistance	IK05
Depth	40 mm
Height	8 mm
Recommended class according to UL for use of an power supply	NEC Class 2
Approvals	CE

**Note**

**Ordering data**

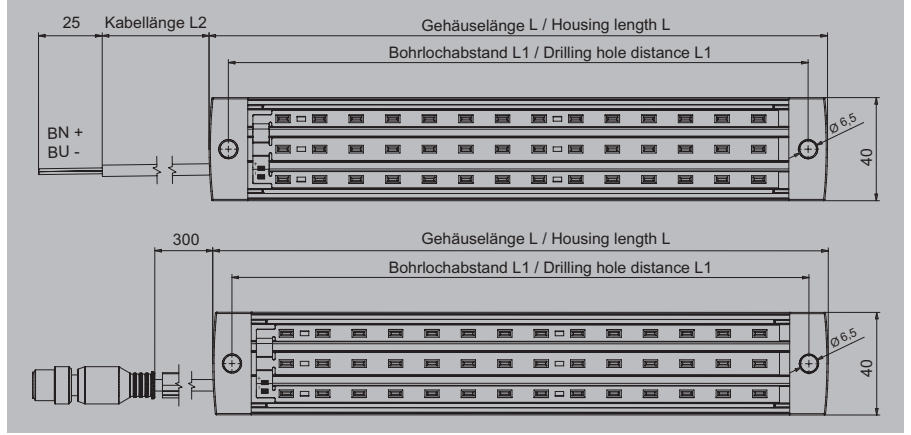
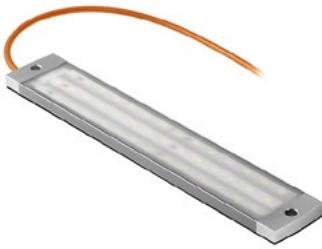
Type	Cable length	Connection thread	Power	Rated current	Light current	Illumination level	Drill hole spacing	Qty.	Order No.
<b>Housing length 145 mm</b>									
WIL-LWXXXX-5700D024-145SXX0.3BM12GXXXX	0.3 m	M12	3.9 W	0.16 A	370 lm	129 lux	130 mm	1	2820220000
WIL-LWXXXX-5700D024-145SXX3.0BXXXXXXX	3 m	without	3.9 W	0.16 A	370 lm	129 lux	130 mm	1	2820230000
<b>Housing length 240 mm</b>									
WIL-LWXXXX-5700D024-240SXX0.3BM12GXXXX	0.3 m	M12	7.5 W	0.31 A	706 lm	247 lux	225 mm	1	2614400000
WIL-LWXXXX-5700D024-240SXX3.0BXXXXXXX	3 m	without	7.5 W	0.31 A	706 lm	247 lux	225 mm	1	2820240000
<b>Housing length 350 mm</b>									
WIL-LWXXXX-5700D024-350SXX0.3SM12GXXXX	0.3 m	M12	11.3 W	0.47 A	1059 lm	370 lux	335 mm	1	2616330000
WIL-LWXXXX-5700D024-350SXX3.0BXXXXXXX	3 m	without	11.3 W	0.47 A	1059 lm	370 lux	335 mm	1	2820250000
<b>Housing length 450 mm</b>									
WIL-LWXXXX-5700D024-450SXX0.3BM12GXXXX	0.3 m	M12	15.1 W	0.63 A	1412 lm	493 lux	435 mm	1	2820260000
WIL-LWXXXX-5700D024-450SXX3.0BXXXXXXX	3 m	without	15.1 W	0.63 A	1412 lm	493 lux	435 mm	1	2820270000
<b>Housing length 555 mm</b>									
WIL-LWXXXX-5700D024-555SXX0.3BM12GXXXX	0.3 m	M12	18.9 W	0.7 A	1765 lm	617 lux	540 mm	1	2820280000
WIL-LWXXXX-5700D024-555SXX3.0BXXXXXXX	3 m	without	18.9 W	0.7 A	1765 lm	617 lux	540 mm	1	2820290000
<b>Housing length 655 mm</b>									
WIL-LWXXXX-5700D024-655SXX0.3BM12GXXXX	0.3 m	M12	22.6 W	0.94 A	2119 lm	740 lux	640 mm	1	2820300000
WIL-LWXXXX-5700D024-655SXX3.0BXXXXXXX	3 m	without	22.6 W	0.94 A	2119 lm	740 lux	640 mm	1	2820310000
<b>Housing length 765 mm</b>									
WIL-LWXXXX-5700D024-765SXX0.3BM12GXXXX	0.3 m	M12	26.4 W	1.1 A	2472 lm	864 lux	750 mm	1	2820320000
WIL-LWXXXX-5700D024-765SXX3.0BXXXXXXX	3 m	without	26.4 W	1.1 A	2472 lm	864 lux	750 mm	1	2820330000
<b>Housing length 860 mm</b>									
WIL-LWXXXX-5700D024-860SXX0.3BM12GXXXX	0.3 m	M12	29.1 W	1.21 A	2746 lm	940 lux	845 mm	1	2820340000
WIL-LWXXXX-5700D024-860SXX3.0BXXXXXXX	3 m	without	29.1 W	1.21 A	2746 lm	940 lux	845 mm	1	2820350000

**Note**

**Weidmüller Industry Light – Series WIL**

Light colour 5700K

Orange cable, screw connection



**Technical data**

Rated voltage	24 V DC
Wiring	Pin 4 (Strand: black) control white LED, Pin 3 (Strand: blue)
Protection degree	IP67
Impact resistance	IK05
Depth	40 mm
Height	9.5 mm
Recommended class according to UL for use of an power supply	NEC Class 2
Approvals	CE; cULus
<b>Note</b>	

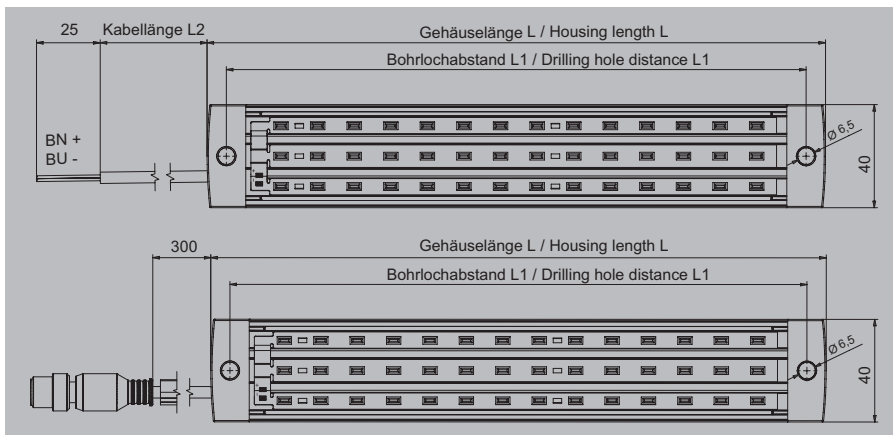
**Ordering data**

Type	Cable length	Connection thread	Power	Rated current	Light current	Illumination level	Drill hole spacing	Qty.	Order No.
<b>Housing length 240 mm</b>									
WIL-LWXXX-6500D024-240MFX1.50XXXXXXXX	1.5 m	without	7.5 W	0.31 A	711 lm	246 lux	225 mm	1	252800000
WIL-LWXXX-6500D024-240MFX3.00XXXXXXXX	3 m	without	7.5 W	0.31 A	711 lm	246 lux	225 mm	1	252801000
WIL-LWXXX-6500D024-240MFX5.00XXXXXXXX	5 m	without	7.5 W	0.31 A	711 lm	246 lux	225 mm	1	252802000
WIL-LWXXX-6500D024-240MF10.00XXXXXXXX	10 m	without	7.5 W	0.31 A	711 lm	246 lux	225 mm	1	252803000
<b>Note</b>									



Light colour 5000K

Black cable, screw connection



Technical data

Rated voltage	24 V DC
Wiring	Pin 4 (Strand: black) control white LED, Pin 3 (Strand: blue)
Protection degree	IP67
Impact resistance	IK05
Depth	40 mm
Height	8 mm
Recommended class according to UL for use of an power supply	NEC Class 2
Approvals	cULus
<b>Note</b>	

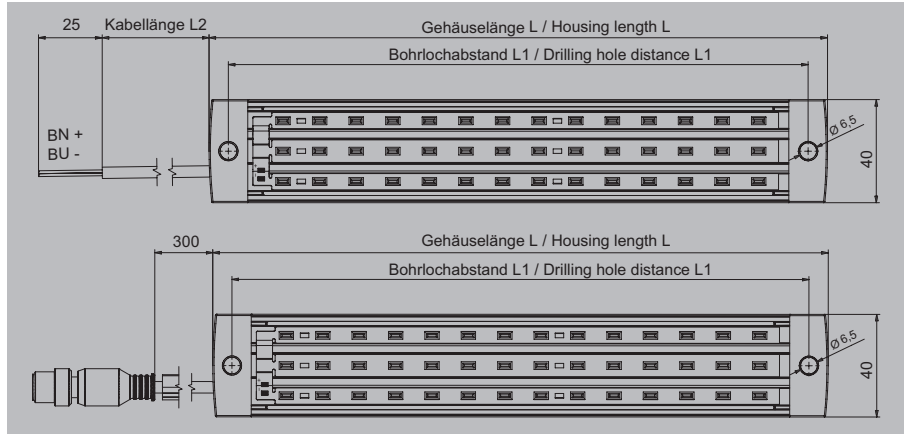
Ordering data

Type	Cable length	Connection thread	Power	Rated current	Light current	Illumination level	Drill hole spacing	Qty.	Order No.
<b>Housing length 145 mm</b>									
WIL-LWXXXX-5000D024-145SXX0.3BM12GXXXX	0.3 m	M12	4.5 W	0,20 A	406 lm	140 lux	130 mm	1	2821040000
WIL-LWXXXX-5000D024-145SXX3.0BXXXXXXX	3 m	without	4.5 W	0,20 A	406 lm	140 lux	130 mm	1	2821050000
<b>Housing length 240 mm</b>									
WIL-LWXXXX-5000D024-240SXX0.3BM12GXXXX	0.3 m	M12	9.5 W	0,36 A	822 lm	282 lux	225 mm	1	2793630000
WIL-LWXXXX-5000D024-240SXX3.0BXXXXXXX	3 m	without	9.5 W	0,36 A	822 lm	282 lux	225 mm	1	2821060000
<b>Housing length 350 mm</b>									
WIL-LWXXXX-5000D024-350SXX0.3BM12GXXXX	0.3 m	M12	13.8 W	0,55 A	1167 lm	402 lux	335 mm	1	2821070000
WIL-LWXXXX-5000D024-350SXX3.0BXXXXXXX	3 m	without	13.8 W	0,55 A	1167 lm	402 lux	335 mm	1	2821080000
<b>Housing length 450 mm</b>									
WIL-LWXXXX-5000D024-450SXX0.3BM12GXXXX	0.3 m	M12	18.4 W	0,77 A	1600 lm	553 lux	435 mm	1	2821090000
WIL-LWXXXX-5000D024-450SXX3.0BXXXXXXX	3 m	without	18.4 W	0,77 A	1600 lm	553 lux	435 mm	1	2821100000
<b>Housing length 555 mm</b>									
WIL-LWXXXX-5000D024-555SXX0.3BM12GXXXX	0.3 m	M12	22.0 W	0,90 A	1874 lm	650 lux	540 mm	1	2821110000
WIL-LWXXXX-5000D024-555SXX3.0BXXXXXXX	3 m	without	22.0 W	0,90 A	1874 lm	650 lux	540 mm	1	2821120000
<b>Housing length 655 mm</b>									
WIL-LWXXXX-5000D024-655SXX0.3BM12GXXXX	0.3 m	M12	26.5 W	1,10 A	2371 lm	812 lux	640 mm	1	2821130000
WIL-LWXXXX-5000D024-655SXX3.0BXXXXXXX	3 m	without	26.5 W	1,10 A	2371 lm	812 lux	640 mm	1	2821140000
<b>Housing length 765 mm</b>									
WIL-LWXXXX-5000D024-765SXX0.3BM12GXXXX	0.3 m	M12	29.8 W	1,23 A	2679 lm	933 lux	750 mm	1	2821150000
WIL-LWXXXX-5000D024-765SXX3.0BXXXXXXX	3 m	without	29.8 W	1,23 A	2679 lm	933 lux	750 mm	1	2821160000
<b>Housing length 860 mm</b>									
WIL-LWXXXX-5000D024-860SXX0.3BM12GXXXX	0.3 m	M12	33.0 W	1,5 A	3003 lm	1038 lux	845 mm	1	2821170000
WIL-LWXXXX-5000D024-860SXX3.0BXXXXXXX	3 m	without	33.0 W	1,5 A	3003 lm	1038 lux	845 mm	1	2821180000
<b>Note</b>									

**Weidmüller Industry Light – Series WIL**

**Light colour 4000K**

**Black cable, screw connection**



**Technical data**

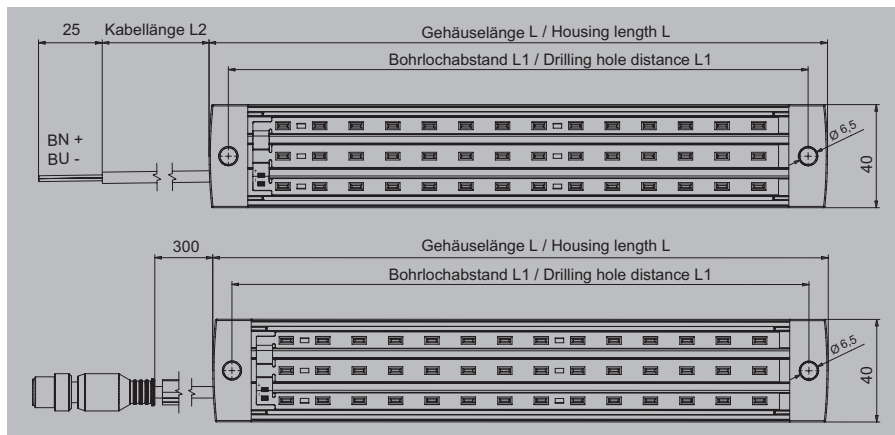
Rated voltage	24 V DC
Wiring	Pin 4 (Strand: black) control white LED, Pin 3 (Strand: blue)
Protection degree	IP67
Impact resistance	IK05
Depth	40 mm
Height	8 mm
Recommended class according to UL for use of an power supply	NEC Class 2
Approvals	CE; cULus
<b>Note</b>	

**Ordering data**

Type	Cable length	Connection thread	Power	Rated current	Light current	Illumination level	Drill hole spacing	Qty.	Order No.
<b>Housing length 145 mm</b>									
WIL-LWXXXX-4000D024-145SXX0.3BM12GXXXX	0.3 m	M12	3.8 W	0.158 A	384 lm	134 lux	130 mm	1	2762040000
WIL-LWXXXX-4000D024-145SXX3.0BXXXXXXX	3 m	without	3.8 W	0.158 A	384 lm	134 lux	130 mm	1	2821190000
<b>Housing length 240 mm</b>									
WIL-LWXXXX-4000D024-240SXX0.3BM12GXXXX	0.3 m	M12	7.4 W	0.308 A	746 lm	260 lux	225 mm	1	2617810000
WIL-LWXXXX-4000D024-240SXX5.0BXXXXXXX	5 m	without	7.4 W	0.308 A	746 lm	260 lux	225 mm	1	2732910000
WIL-LWXXXX-4000D024-240SX10.0BXXXXXXX	10 m	without	7.4 W	0.308 A	746 lm	260 lux	225 mm	1	2770730000
<b>Housing length 350 mm</b>									
WIL-LWXXXX-4000D024-350SXX0.3BM12GXXXX	0.3 m	M12	11.1 W	0.462 A	1119 lm	390 lux	335 mm	1	2633680000
WIL-LWXXXX-4000D024-350SXX5.0BXXXXXXX	5 m	without	11.1 W	0.462 A	1119 lm	390 lux	335 mm	1	2732920000
<b>Housing length 450 mm</b>									
WIL-LWXXXX-4000D024-450SXX0.3BM12GXXXX	0.3 m	M12	14.8 W	0.616 A	1492 lm	520 lux	435 mm	1	2821200000
WIL-LWXXXX-4000D024-450SXX3.0BXXXXXXX	3 m	without	14.8 W	0.616 A	1492 lm	520 lux	435 mm	1	2821210000
<b>Housing length 555 mm</b>									
WIL-LWXXXX-4000D024-555SXX0.3BM12GXXXX	0.3 m	M12	18.5 W	0.77 A	1865 lm	650 lux	540 mm	1	2732860000
WIL-LWXXXX-4000D024-555SXX3.0BXXXXXXX	5 m	without	18.5 W	0.77 A	1865 lm	650 lux	540 mm	1	2732940000
<b>Housing length 655 mm</b>									
WIL-LWXXXX-4000D024-655SXX0.3BM12GXXXX	0.3 m	M12	22.2 W	0.924 A	2238 lm	780 lux	640 mm	1	2821220000
WIL-LWXXXX-4000D024-655SXX3.0BXXXXXXX	3 m	without	22.2 W	0.924 A	2238 lm	780 lux	640 mm	1	2821230000
<b>Housing length 765 mm</b>									
WIL-LWXXXX-4000D024-765SXX0.3BM12GXXXX	0.3 m	M12	25.9 W	1.078 A	2611 lm	910 lux	750 mm	1	2821240000
WIL-LWXXXX-4000D024-765SXX3.0BXXXXXXX	3 m	without	25.9 W	1.078 A	2611 lm	910 lux	750 mm	1	2821250000
<b>Housing length 860 mm</b>									
WIL-LWXXXX-4000D024-860SXX0.3BM12GXXXX	0.3 m	M12	28.5 W	1.188 A	2889 lm	990 lux	845 mm	1	2793350000
WIL-LWXXXX-4000D024-860SXX3.0BXXXXXXX	5 m	without	28.5 W	1.188 A	2889 lm	990 lux	845 mm	1	2694370000
<b>Note</b>									

Light colour 2700K

Black cable, screw connection



Technical data

Rated voltage	24 V DC
Wiring	Pin 4 (Strand: black) control white LED, Pin 3 (Strand: blue)
Protection degree	IP67
Impact resistance	IK05
Depth	40 mm
Height	8 mm
Recommended class according to UL for use of an power supply	NEC Class 2
Approvals	cULus
<b>Note</b>	

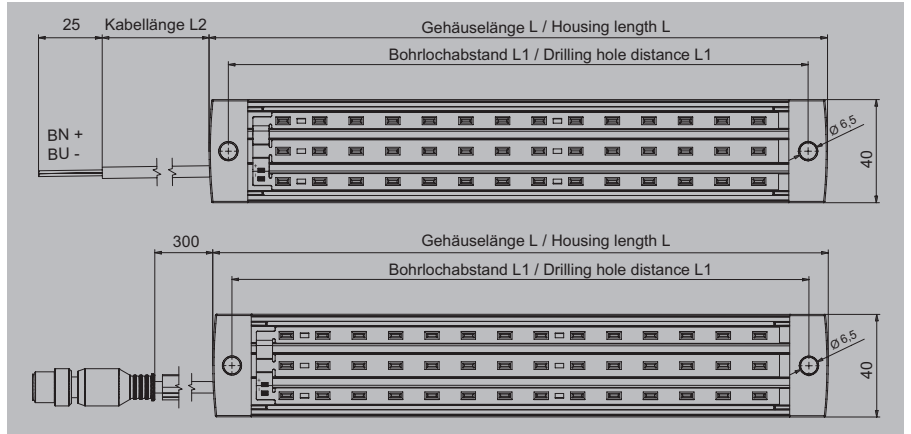
Ordering data

Type	Cable length	Connection thread	Power	Rated current	Light current	Illumination level	Drill hole spacing	Qty.	Order No.
<b>Housing length 145 mm</b>									
WIL-LWXXXX-2700D024-145SXX0.3BM12GXXXX	0.3 m	M12	3.9 W	0.162 A	385 lm	135 lux	130 mm	1	2821260000
WIL-LWXXXX-2700D024-145SXX3.0BXXXXXXX	3 m	without	3.9 W	0.162 A	385 lm	135 lux	130 mm	1	2821270000
<b>Housing length 240 mm</b>									
WIL-LWXXXX-2700D024-240SXX0.3BM12GXXXX	0.3 m	M12	7.5 W	0.31 A	748 lm	263 lux	225 mm	1	2633830000
WIL-LWXXXX-2700D024-240SXX3.0BXXXXXXX	3 m	without	7.5 W	0.31 A	748 lm	263 lux	225 mm	1	2680950000
<b>Housing length 350 mm</b>									
WIL-LWXXXX-2700D024-350SXX0.3BM12GXXXX	0.3 m	M12	11.3 W	0.471 A	1122 lm	395 lux	335 mm	1	2821280000
WIL-LWXXXX-2700D024-350SXX3.0BXXXXXXX	3 m	without	11.3 W	0.471 A	1122 lm	395 lux	335 mm	1	2821290000
<b>Housing length 450 mm</b>									
WIL-LWXXXX-2700D024-450SXX0.3BM12GXXXX	0.3 m	M12	15.0 W	0.625 A	1496 lm	526 lux	435 mm	1	2633840000
WIL-LWXXXX-2700D024-450SXX3.0BXXXXXXX	3 m	without	15.0 W	0.625 A	1496 lm	526 lux	435 mm	1	2821300000
<b>Housing length 555 mm</b>									
WIL-LWXXXX-2700D024-555SXX0.3BM12GXXXX	0.3 m	M12	18.8 W	0.7 A	1870 lm	658 lux	540 mm	1	2821310000
WIL-LWXXXX-2700D024-555SXX3.0BXXXXXXX	3 m	without	18.8 W	0.7 A	1870 lm	658 lux	540 mm	1	2821320000
<b>Housing length 655 mm</b>									
WIL-LWXXXX-2700D024-655SXX0.3BM12GXXXX	0.3 m	M12	22.5 W	0.937 A	2244 lm	786 lux	640 mm	1	2550650000
WIL-LWXXXX-2700D024-655SXX3.0BXXXXXXX	3 m	without	22.5 W	0.937 A	2244 lm	786 lux	640 mm	1	2821330000
<b>Housing length 765 mm</b>									
WIL-LWXXXX-2700D024-765SXX0.3BM12GXXXX	0.3 m	M12	26.4 W	1.1 A	2618 lm	921 lux	750 mm	1	2821340000
WIL-LWXXXX-2700D024-765SXX3.0BXXXXXXX	3 m	without	26.4 W	1.1 A	2618 lm	921 lux	750 mm	1	2821350000
<b>Housing length 860 mm</b>									
WIL-LWXXXX-2700D024-860SXX0.3BM12GXXXX	0.3 m	M12	29.1 W	1.21 A	2898 lm	996 lux	845 mm	1	2796070000
WIL-LWXXXX-2700D024-860SXX3.0BXXXXXXX	3 m	without	29.1 W	1.21 A	2898 lm	996 lux	845 mm	1	2821360000
<b>Note</b>									

**Weidmüller Industry Light – Series WIL**

**Colour variants**

**Lamp colour red**



**Technical data**

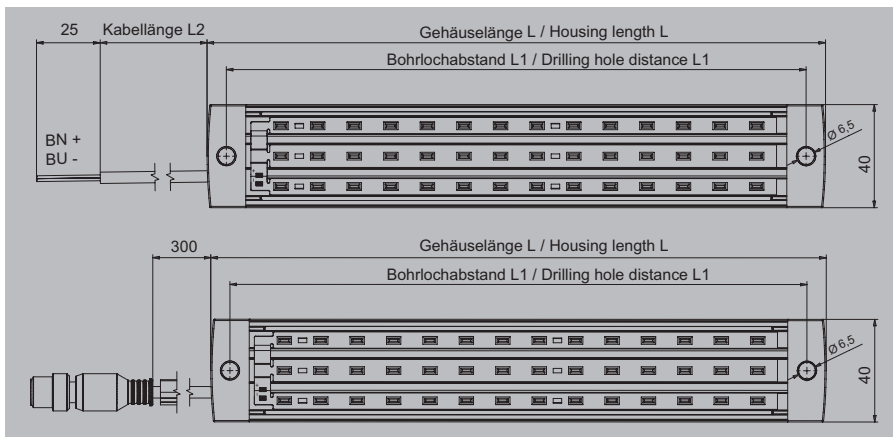
Rated voltage	24 V DC
Wiring	Pin 4 (Strand: black) control white LED, Pin 3 (Strand: blue)
Protection degree	IP67
Impact resistance	IK05
Depth	40 mm
Height	8 mm
Recommended class according to UL for use of an power supply	NEC Class 2
Approvals	CE; cULus
<b>Note</b>	

**Ordering data**

Type	Cable length	Connection thread	Power	Rated current	Light current	Illumination level	Drill hole spacing	Qty.	Order No.
<b>Housing length 240 mm</b>									
WIL-LRXXX-W620D024-240SXX0.3BM12GM12G	0.3 m	M12 / M12	9.2 W	0.382 A	208 lm	71 lux	225 mm	1	2576980000
WIL-LRXXX-W620D024-240SXX0.3BM12GXXXX	0.3 m	M12	9.2 W	0.382 A	208 lm	71 lux	225 mm	1	2436340000
<b>Note</b>									

Colour variants

Lamp colour blue



Technical data

Rated voltage	24 V DC
Wiring	Pin 4 (Strand: black) control white LED, Pin 3 (Strand: blue)
Protection degree	IP67
Impact resistance	IK05
Depth	40 mm
Height	8 mm
Recommended class according to UL for use of an power supply	NEC Class 2
Approvals	CE; cULus
<b>Note</b>	

Ordering data

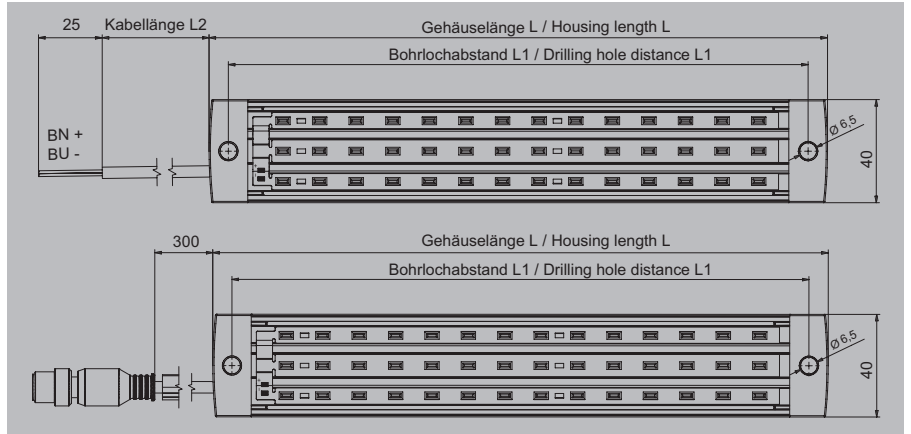
Type	Cable length	Connection thread	Power	Rated current	Light current	Illumination level	Drill hole spacing	Qty.	Order No.
<b>Housing length 240 mm</b>									
WIL-LBXXXX-W450D024-240SXX0.3BM12GM12G	0.3 m	M12 / M12	7.6 W	0.317 A	98 lm	34 lux	225 mm	1	2576970000
WIL-LBXXXX-W450D024-240SXX0.3BM12GXXXX	0.3 m	M12	7.6 W	0.317 A	98 lm	34 lux	225 mm	1	2436350000
<b>Note</b>									



**Weidmüller Industry Light – Series WIL**

**Colour variants**

**Lamp colour red, yellow, green**



**Technical data**

Rated voltage	24 V DC
Wiring	Pin 4 (Strand: black) control green LED, Pin 1 (Strand: brown) control red LED, Pin 2 (Strand: white) control yellow LED, Pin 3 (Strand: blue)
Protection degree	IP67
Impact resistance	IK05
Depth	40 mm
Height	8 mm
Recommended class according to UL for use of an power supply	NEC Class 2
Approvals	CE, cULus
<b>Note</b>	

**Ordering data**

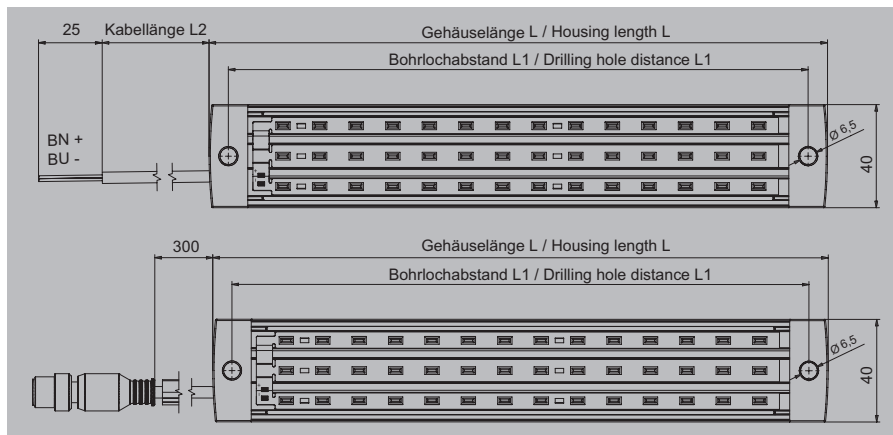
Type	Cable length	Connection thread	Power	Rated current	Light current	Illumination level	Drill hole spacing	Qty.	Order No.
<b>Housing length 240 mm</b>									
WIL-LRYGXX-XXXXD024-240SXX0.3BM12GXXXX	0.3 m	M12	8,5 W	0,36 A			225 mm	1	<b>2625240000</b>
<b>Note</b>									





Colour variants

Lamp colour red,green,blue,white; colour space adjustable



Technical data

Rated voltage	24 V DC
Wiring	Pin 4 (Strand: black) control white LED, Pin 3 (Strand: blue)
Protection degree	IP67
Impact resistance	IK05
Depth	40 mm
Height	8 mm
Recommended class according to UL for use of an power supply	NEC Class 2
Approvals	CE
<b>Note</b>	Each color (red, green, yellow, white) can be controlled individually or PWM modules can be used to create a mixed color. It should be noted that the total current must not be higher than 1A.

Ordering data

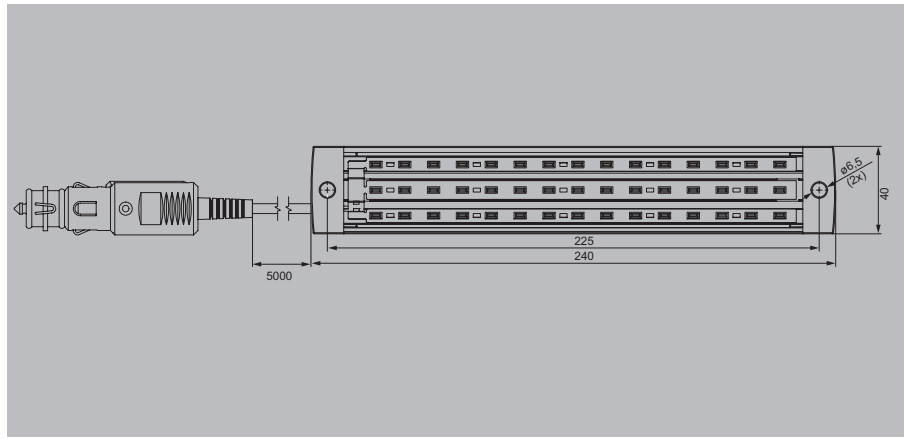
Type	Cable length	Connection thread	Power	Rated current	Light current	Illumination level	Drill hole spacing	Qty.	Order No.
<b>Housing length 240 mm</b>									
WIL-LRGBWX-XXXXD024-240SXX0.3BM12GXXXX	0.3 m	M12	8,5 W	0,36 A	760 lm	265 lux	225 mm	1	<b>2635090000</b>
<b>Note</b>									



**Weidmüller Industry Light – Series WIL**

**Special variants**

**With 12 V car plug**



**Technical data**

Rated voltage	12 V DC
Wiring	
Protection degree	IP67
Impact resistance	IK05
Depth	40 mm
Height	9.5 mm
Recommended class according to UL for use of an power supply	
Approvals	CE
Sheathing colour	black
Type of mounting	Magnet

**Note**

**Ordering data**

Type	Cable length	Version	Power	Rated current	Light current	Illumination level	Drill hole spacing	Qty.	Order No.
<b>Housing length 240 mm</b>									
WIL-LWXXXX-6500D012-240MFX5.0BCVPXXXX	5 m	Car cigarette lighter	8,5 W	0,70 A	637 lm	220 lux	225 mm	1	<b>2548620000</b>

**Note**

**G**

Accessories WIL

Motion sensors without cable

Motion sensors with cable



Ordering data

Type	Qty.	Order No.
WIL-BM-SK	1	2537720000

Note

Technical data

Rated voltage	24 V DC
Rated current	< 6.0 A
Dwell time, min. / max.	1...10 min
Detection range	0...8m / Configurable: No
Detection area (angle)	120 °
Wiring	PIN 4: + (black), PIN 3: - (blue)
Protection degree	IP20
Depth	44 mm
Width	76 mm
Height	33 mm

Note

Type	Qty.	Order No.
WIL-BM-SK	1	2537720000

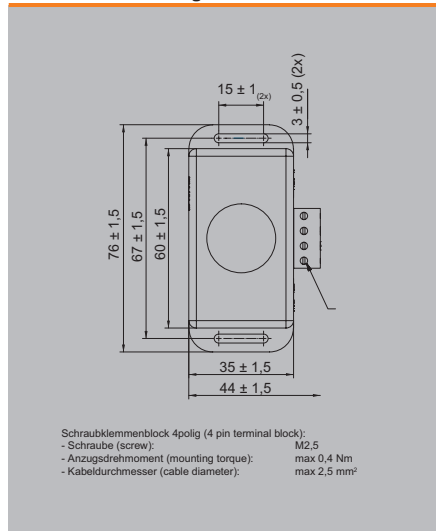
Rated voltage	24 V DC
Rated current	< 6.0 A
Dwell time, min. / max.	1...10 min
Detection range	0...8m / Configurable: No
Detection area (angle)	120 °
Wiring	PIN 4: + (black), PIN 3: - (blue)
Protection degree	IP20
Depth	44 mm
Width	76 mm
Height	33 mm

Type	Qty.	Order No.
WIL-BM-SK-M12-3.0U	1	2537700000

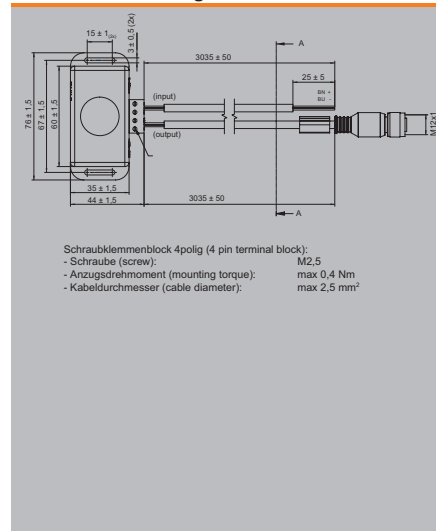
Rated voltage	24 V DC
Rated current	< 6.0 A
Dwell time, min. / max.	1...10 min
Detection range	0...8m / Configurable: No
Detection area (angle)	120 °
Wiring	PIN 4: + (black), PIN 3: - (blue)
Protection degree	IP20
Depth	44 mm
Width	76 mm
Height	33 mm

G

Dimensioned drawing



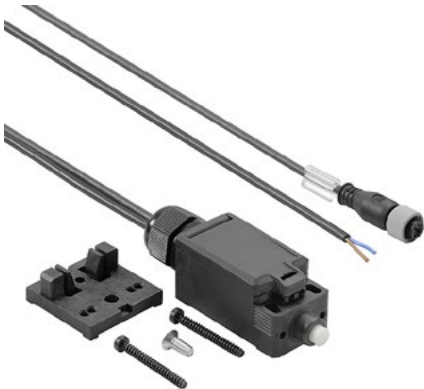
Dimensioned drawing





Accessories

Door switch



Power supply



Ordering data

Type	Qty.	Order No.
WIL-TS-M12	1	2537730000

Note

Technical data

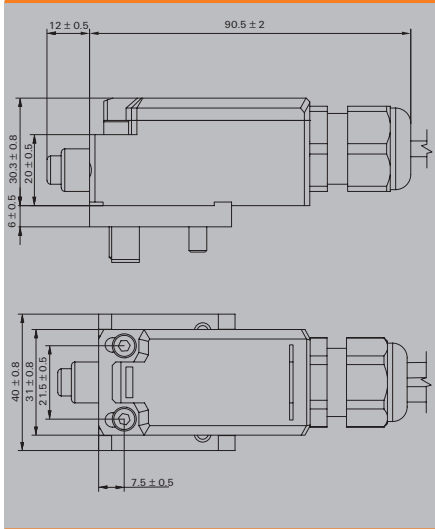
Rated voltage	24 V DC
Rated current	1.5 A
Wiring	PIN 4: + (black), PIN 3: - (blue)
Protection degree	IP67
Depth	40 mm
Width	102.5 mm
Height	36.3 mm
Note	

Type	Qty.	Order No.
WIL-NT-STANDARD	1	2598350000

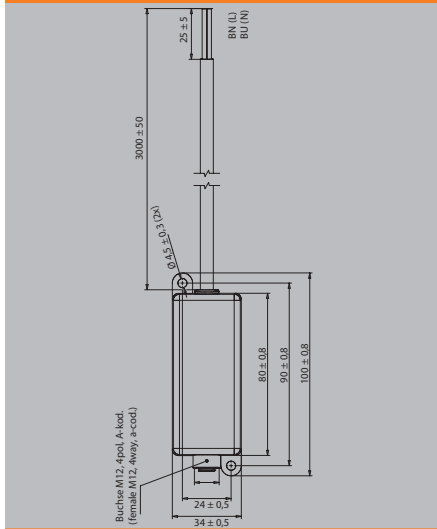
Rated voltage	24 V DC
Rated current	1.5 A
Protection degree	IP65 when locked
Depth	34 mm
Width	100 mm
Height	32 mm
Note	Only suitable for housing lengths 145 mm and 240 mm

G

Dimensioned drawing



Dimensioned drawing



Accessories

Magnet



Ordering data

Note

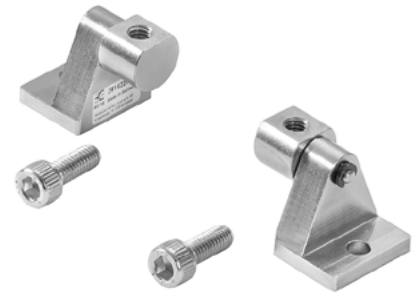
Type	Qty.	Order No.
WIL-MAGNET	1	2526810000

Technical data

Depth
Width
Height
Note

38 mm
238 mm
1.5 mm

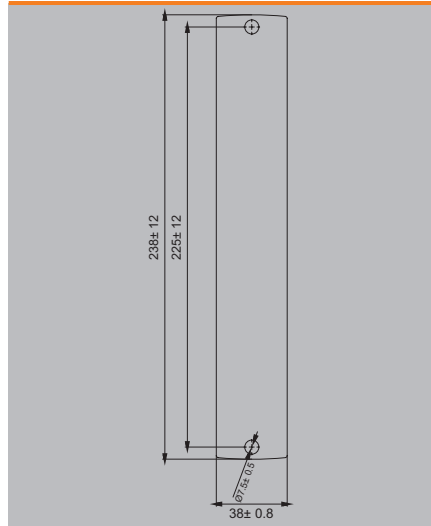
Swivelling holder



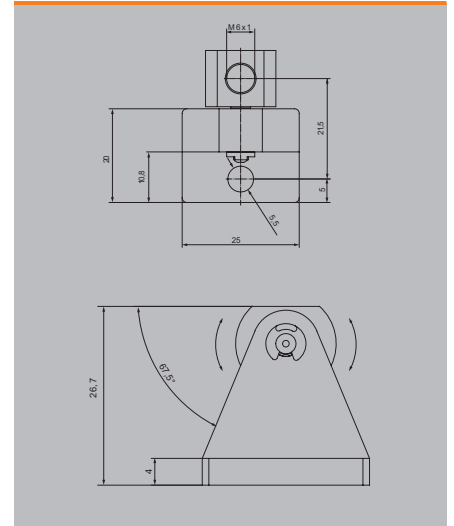
Type	Qty.	Order No.
WIL-SCHWENKHALTER	1	2614220000

20 mm
32.5 mm
26.7 mm

Dimensioned drawing

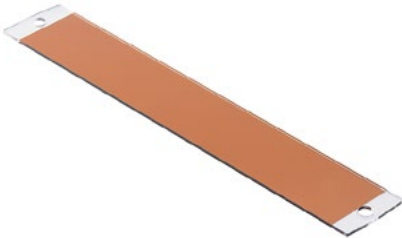


Dimensioned drawing



Accessories

Colour filter



Ordering data

Note

Type	Qty.	Order No.
WIL-F-240	4	2799050000

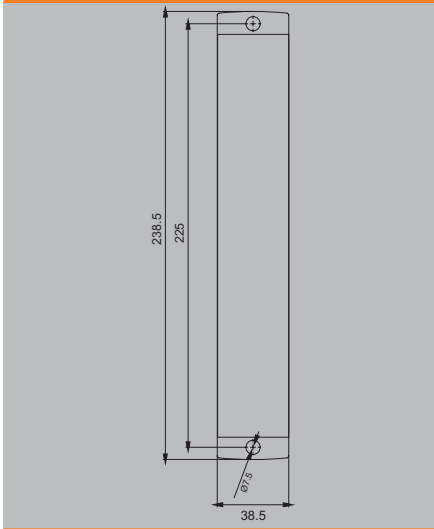
Technical data

Depth
Width
Height
Note

38.5 mm
240 mm
2.2 mm



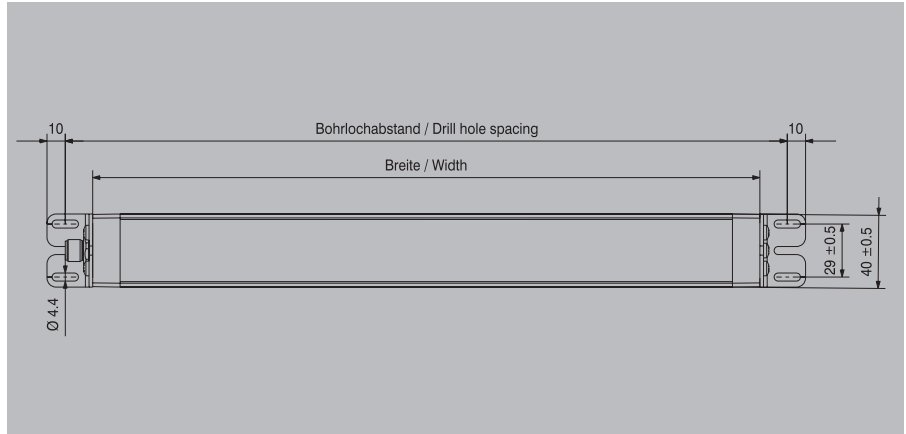
Dimensioned drawing



**Weidmüller Industry Light – Series WIL-L**

**Rated voltage 24 V DC**

**Light colour 5700 K**



**Technical data**

Rated voltage	24 V DC
Wiring	Pin 1: control white LED 24V DC, Pin 2: NC, Pin 3: GND(-), Pin 4: NC, Pin 5: NC
Protection degree	IP67
Depth	40 mm
Height	42 mm
Approvals	CE: cURus
<b>Note</b>	

**Ordering data**

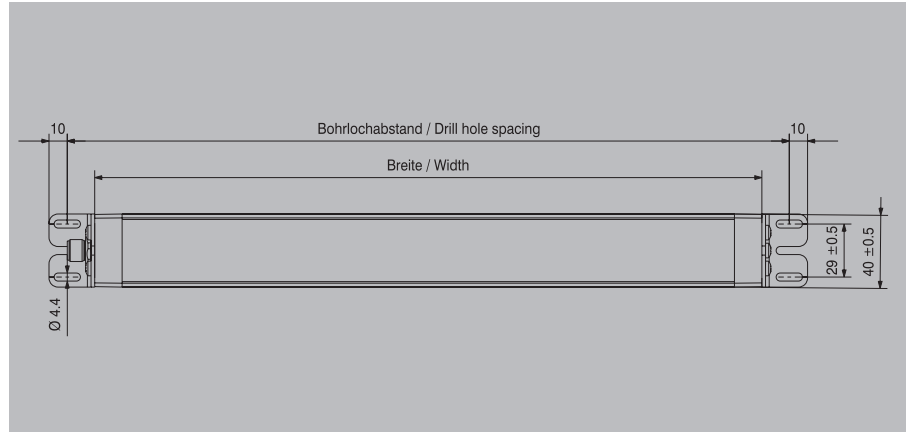
Type	Material of LED cover	Connection thread	Power	Rated current	Light current	Illumination level	Drill hole spacing	Qty.	Order No.
<b>Housing length 190 mm</b>									
WIL-LXXX-RXSS-5700-X190-M12D-X0	PMMA	M12 / M12	3.3 W	137.5 mA	341 lm	135 lux	220 mm	1	2899220000
WIL-LXXX-RXSS-5700-X190-M12X-X0	PMMA	M12	3.3 W	137.5 mA	341 lm	135 lux	220 mm	1	2899210000
<b>Housing length 365 mm</b>									
WIL-LXXX-RXSS-5700-X365-M12D-X0	PMMA	M12 / M12	8.3 W	345.8 mA	854 lm	324 lux	395 mm	1	2899240000
WIL-LXXX-RXSS-5700-X365-M12X-X0	PMMA	M12	8.3 W	345.8 mA	854 lm	321 lux	395 mm	1	2899230000
<b>Housing length 540 mm</b>									
WIL-LXXX-RXSS-5700-X540-M12D-X0	PMMA	M12 / M12	13.3 W	554.2 mA	1367 lm	503 lux	570 mm	1	2899260000
WIL-LXXX-RXSS-5700-X540-M12X-X0	PMMA	M12	13.3 W	554.2 mA	1367 lm	503 lux	570 mm	1	2899250000
<b>Housing length 715 mm</b>									
WIL-LXXX-RXSS-5700-X715-M12D-X0	PMMA	M12 / M12	18.3 W	762.5 mA	1880 lm	679 lux	745 mm	1	2899280000
WIL-LXXX-RXSS-5700-X715-M12X-X0	PMMA	M12	18.3 W	762.5 mA	1880 lm	679 lux	745 mm	1	2899270000
<b>Housing length 1040 mm</b>									
WIL-LXXX-RXSS-5700-1040-M12D-X0	PMMA	M12 / M12	26.6 W	1108.3 mA	2735 lm	969 lux	1070 mm	1	2899300000
WIL-LXXX-RXSS-5700-1040-M12X-X0	PMMA	M12	26.6 W	1108.3 mA	2735 lm	969 lux	1070 mm	1	2899290000
<b>Note</b>									





Rated voltage 24 V DC

Light colour 5700 K



### Technical data

Rated voltage	24 V DC
Wiring	Pin 1: control white LED 24V DC, Pin 2: NC, Pin 3: GND(-), Pin 4: NC, Pin 5: NC
Protection degree	IP67
Depth	40 mm
Height	42 mm
Approvals	CE; cURus
<b>Note</b>	

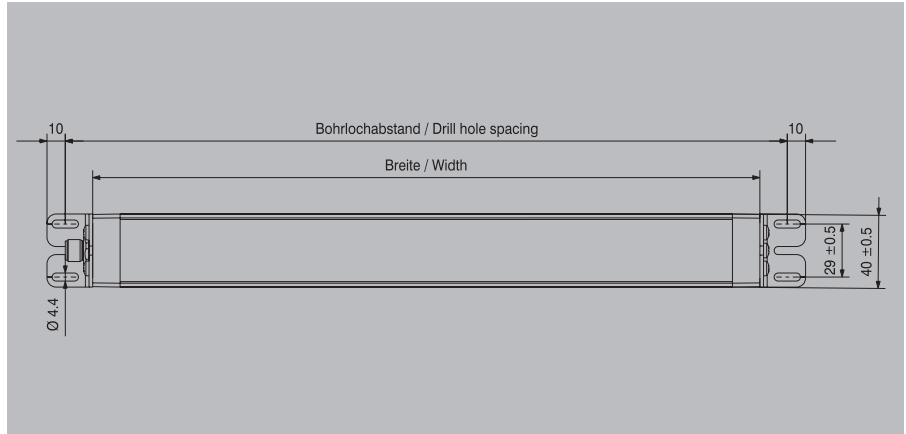
### Ordering data

Type	Material of LED cover	Connection thread	Power	Rated current	Light current	Illumination level	Drill hole spacing	Qty.	Order No.
<b>Housing length 190 mm</b>									
WIL-LXXXX-RXPS-5700-X190-M12D-X0	ESG	M12 / M12	3.3 W	137.5 mA	339 lm	133 lux	220 mm	1	2899320000
WIL-LXXXX-RXPS-5700-X190-M12X-X0	ESG	M12	3.3 W	137.5 mA	339 lm	133 lux	220 mm	1	2899310000
<b>Housing length 365 mm</b>									
WIL-LXXXX-RXPS-5700-X365-M12D-X0	ESG	M12 / M12	8.3 W	345.8 mA	849 lm	306 lux	395 mm	1	2899340000
WIL-LXXXX-RXPS-5700-X365-M12X-X0	ESG	M12	8.3 W	345.8 mA	849 lm	306 lux	395 mm	1	2899330000
<b>Housing length 540 mm</b>									
WIL-LXXXX-RXPS-5700-X540-M12D-X0	ESG	M12 / M12	13.3 W	554.2 mA	1359 lm	489 lux	570 mm	1	2899360000
WIL-LXXXX-RXPS-5700-X540-M12X-X0	ESG	M12	13.3 W	554.2 mA	1359 lm	489 lux	570 mm	1	2899350000
<b>Housing length 715 mm</b>									
WIL-LXXXX-RXPS-5700-X715-M12D-X0	ESG	M12 / M12	18.3 W	762.5 mA	1869 lm	667 lux	745 mm	1	2899380000
WIL-LXXXX-RXPS-5700-X715-M12X-X0	ESG	M12	18.3 W	762.5 mA	1869 lm	667 lux	745 mm	1	2899370000
<b>Housing length 1040 mm</b>									
WIL-LXXXX-RXPS-5700-1040-M12D-X0	ESG	M12 / M12	26.6 W	1108.3 mA	2719 lm	1076 lux	1070 mm	1	2899400000
WIL-LXXXX-RXPS-5700-1040-M12X-X0	ESG	M12	26.6 W	1108.3 mA	2719 lm	1076 lux	1070 mm	1	2899390000
<b>Note</b>									

## Weidmüller Industry Light – Series WIL-L

Rated voltage 12...30 V DC

Light colour 5700 K



### Technical data

Rated voltage	12...30 V DC
Wiring	Pin 1: control white LED 12-30V DC, Pin 2: dimmable 1.2-10V DC, Pin 3: GND(-), Pin 4: NC, Pin 5: NC
Protection degree	IP67
Depth	40 mm
Height	42 mm
Approvals	CE: cURus

**Note**

### Ordering data

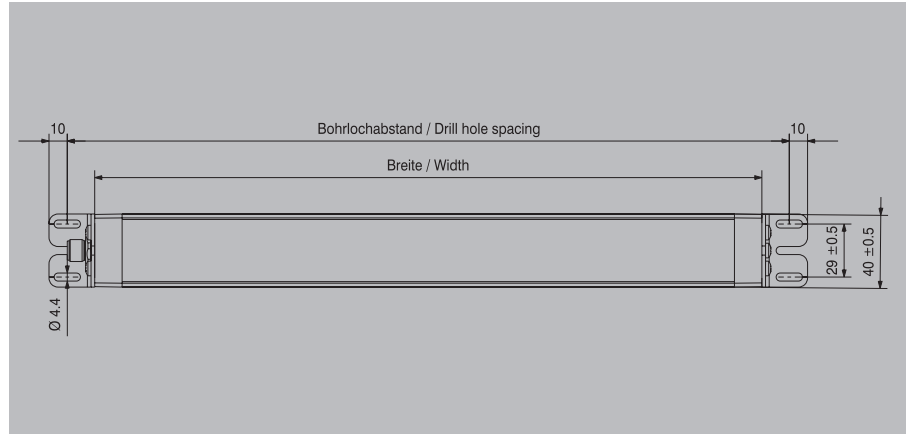
Type	Material of LED cover	Connection thread	Power	Rated current	Light current	Illumination level	Drill hole spacing	Qty.	Order No.
<b>Housing length 190 mm</b>									
WIL-LXXX-RHPS-5700-X190-M12D-X0	ESG	M12 / M12	5 W		489 lm		220 mm	1	2899430000
WIL-LXXX-RHPS-5700-X190-M12X-X0	ESG	M12	5 W		489 lm		220 mm	1	2899410000
<b>Housing length 365 mm</b>									
WIL-LXXX-RHPS-5700-X365-M12D-X0	ESG	M12 / M12	10 W		1073 lm		395 mm	1	2899450000
WIL-LXXX-RHPS-5700-X365-M12X-X0	ESG	M12	10 W		1073 lm		395 mm	1	2899440000
<b>Housing length 540 mm</b>									
WIL-LXXX-RHPS-5700-X540-M12D-X0	ESG	M12 / M12	15.1 W		1660 lm		570 mm	1	2899470000
WIL-LXXX-RHPS-5700-X540-M12X-X0	ESG	M12	15.1 W		1660 lm		570 mm	1	2899460000
<b>Housing length 715 mm</b>									
WIL-LXXX-RHPS-5700-X715-M12D-X0	ESG	M12 / M12	20.2 W		2246 lm		745 mm	1	2899490000
WIL-LXXX-RHPS-5700-X715-M12X-X0	ESG	M12	20.2 W		2246 lm		745 mm	1	2899480000
<b>Housing length 1040 mm</b>									
WIL-LXXX-RHPS-5700-1040-M12D-X0	ESG	M12 / M12	26.6 W		2719 lm		1070 mm	1	2899510000
WIL-LXXX-RHPS-5700-1040-M12X-X0	ESG	M12	26.5 W		2719 lm		1070 mm	1	2899500000

**Note**

Products and technical data available in the third quarter of 2023.

## Colour variants

## Lamp colour red, green, blue, white



## Technical data

Rated voltage	24 V DC
Wiring	Pin 1 - 4: control multicolor LED, Pin 5: GND(-)
Protection degree	IP67
Depth	40 mm
Height	42 mm
Approvals	CE: cURus

## Note

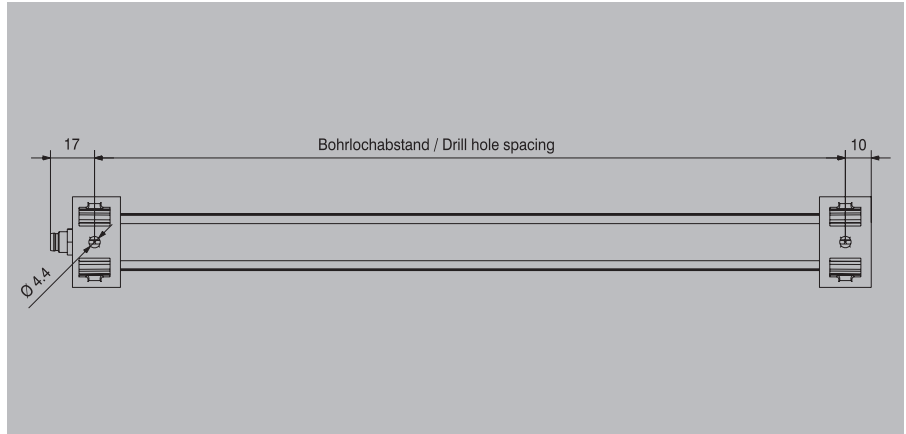
## Ordering data

Type	Material of LED cover	Connection thread	Power	Rated current	Light current	Illumination level	Drill hole spacing	Qty.	Order No.
<b>Housing length 190 mm</b>									
WIL-LRGBW-RHPS-XXXX-X190SX-M12X-X0	ESG	M12	9.6 W			99 lux	220 mm	1	2899560000
WIL-LRGBW-RXSS-XXXX-X190SX-M12X-X0	PMMA	M12	9.6 W			95 lux	220 mm	1	2899520000
<b>Housing length 365 mm</b>									
WIL-LRGBW-RHPS-XXXX-X365SX-M12X-X0	ESG	M12	19.4 W			194 lux	395 mm	1	2899570000
WIL-LRGBW-RXSS-XXXX-X365SX-M12X-X0	PMMA	M12	19.4 W			198 lux	395 mm	1	2899530000
<b>Housing length 610 mm</b>									
WIL-LRGBW-RHPS-XXXX-X610SX-M12X-X0	ESG	M12	38.7 W			367 lux	640 mm	1	2899580000
WIL-LRGBW-RXSS-XXXX-X610SX-M12X-X0	PMMA	M12	38.7 W			376 lux	640 mm	1	2899540000
<b>Housing length 1040 mm</b>									
WIL-LRGBW-RHPS-XXXX-1040SX-M12X-X0	ESG	M12	67.7 W			580 lux	1070 mm	1	2899590000
WIL-LRGBW-RXSS-XXXX-1040SX-M12X-X0	PMMA	M12	67.7 W			587 lux	1070 mm	1	2899550000

## Note

Rated voltage 24 V DC

Light colour 5700 K



**Technical data**

Rated voltage	24 V DC
Wiring	Pin 1: control white LED 24V DC, Pin 2: NC, Pin 3: GND(-), Pin 4: NC
Protection degree	IP54
Depth	35 mm
Height	35 mm
Approvals	CE: cURus

**Note**

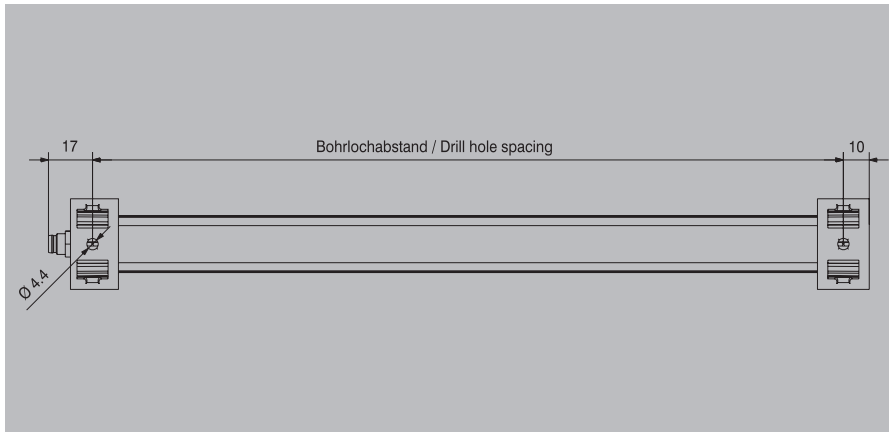
**Ordering data**

Type	Material of LED cover	Connection thread	Power	Rated current	Light current	Illumination level	Drill hole spacing	Qty.	Order No.
<b>Housing length 140 mm</b>									
WIL-XXXX-RXSS-5700-X140-M8DX	PMMA	M8 / M8	3.4 W	141.7 mA	242 lm	113 lux	149 mm	1	2899690000
WIL-XXXX-RXSS-5700-X140-M8XX	PMMA	M8	3.4 W	141.7 mA	242 lm	113 lux	149 mm	1	2899600000
<b>Housing length 280 mm</b>									
WIL-XXXX-RXSS-5700-X280-M8DX	PMMA	M8 / M8	6.8 W	283.3 mA	485 lm	221 lux	289 mm	1	2899700000
WIL-XXXX-RXSS-5700-X280-M8XX	PMMA	M8	6.8 W	283.3 mA	485 lm	221 lux	289 mm	1	2899610000
<b>Housing length 420 mm</b>									
WIL-XXXX-RXSS-5700-X420-M8DX	PMMA	M8 / M8	10.2 W	425 mA	728 lm	331 lux	429 mm	1	2899710000
WIL-XXXX-RXSS-5700-X420-M8XX	PMMA	M8	10.2 W	425 mA	728 lm	331 lux	429 mm	1	2899620000
<b>Housing length 560 mm</b>									
WIL-XXXX-RXSS-5700-X560-M8DX	PMMA	M8 / M8	13.5 W	562.5 mA	971 lm	421 lux	569 mm	1	2899720000
WIL-XXXX-RXSS-5700-X560-M8XX	PMMA	M8	13.5 W	562.5 mA	971 lm	421 lux	569 mm	1	2899630000
<b>Housing length 700 mm</b>									
WIL-XXXX-RXSS-5700-X700-M8DX	PMMA	M8 / M8	16.9 W	704.2 mA	1214 lm	530 lux	709 mm	1	2899730000
WIL-XXXX-RXSS-5700-X700-M8XX	PMMA	M8	16.9 W	704.2 mA	1214 lm	530 lux	709 mm	1	2899640000
<b>Housing length 840 mm</b>									
WIL-XXXX-RXSS-5700-X840-M8XX	PMMA	M8	20.3 W	845.8 mA	1457 lm	631 lux	849 mm	1	2899650000
<b>Housing length 980 mm</b>									
WIL-XXXX-RXSS-5700-X980-M8XX	PMMA	M8	23.7 W	987.5 mA	1700 lm	731 lux	989 mm	1	2899660000
<b>Housing length 1120 mm</b>									
WIL-XXXX-RXSS-5700-1120-M8XX	PMMA	M8	27.0 W	1125 mA	1943 lm	830 lux	1129 mm	1	2899670000
<b>Housing length 1400 mm</b>									
WIL-XXXX-RXSS-5700-1400-M8XX	PMMA	M8	33.9 W	1412.5 mA	2429 lm	1028 lux	1409 mm	1	2899680000

**Note**

Rated voltage 12...30 V DC

Light colour 5700 K



**Technical data**

Rated voltage	12...30 V DC
Wiring	Pin 1: control white LED 12-30V DC, Pin 2: dimmable 1.2-10V DC, Pin 3: GND(-), Pin 4: NC
Protection degree	IP54
Depth	35 mm
Height	35 mm
Approvals	CE: cURus
<b>Note</b>	

**Ordering data**

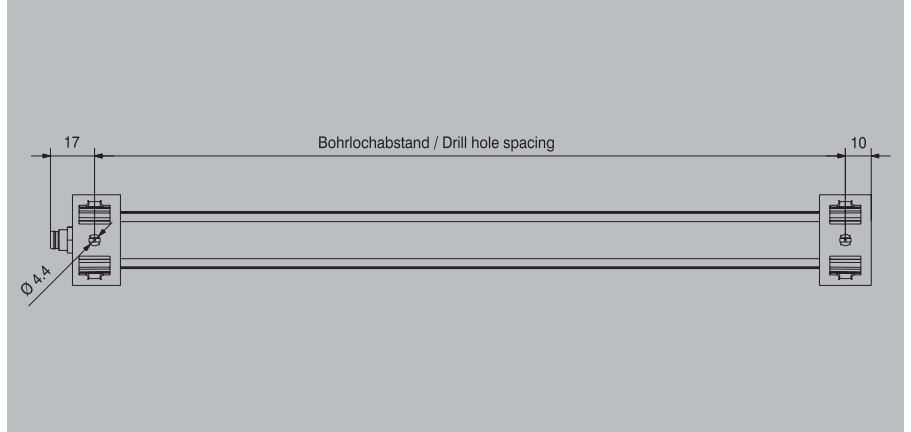
Type	Material of LED cover	Connection thread	Power	Rated current	Light current	Illumination level	Drill hole spacing	Qty.	Order No.
<b>Housing length 140 mm</b>									
WIL-EXXX-RXPS-5700-X140-M8DX	PMMA	M8 / M8	3.6 W		603 lm		149 mm	1	2899820000
WIL-EXXX-RXPS-5700-X140-M8XX	PMMA	M8	3.6 W		603 lm		149 mm	1	2899740000
<b>Housing length 280 mm</b>									
WIL-EXXX-RXPS-5700-X280-M8DX	PMMA	M8 / M8	7.3 W		1206 lm		289 mm	1	2899830000
WIL-EXXX-RXPS-5700-X280-M8XX	PMMA	M8	7.3 W		1206 lm		289 mm	1	2899750000
<b>Housing length 420 mm</b>									
WIL-EXXX-RXPS-5700-X420-M8DX	PMMA	M8 / M8	10.9 W		1806 lm		429 mm	1	2899840000
WIL-EXXX-RXPS-5700-X420-M8XX	PMMA	M8	10.9 W		1806 lm		429 mm	1	2899760000
<b>Housing length 560 mm</b>									
WIL-EXXX-RXPS-5700-X560-M8DX	PMMA	M8 / M8	14.6 W		2412 lm		569 mm	1	2899850000
WIL-EXXX-RXPS-5700-X560-M8XX	PMMA	M8	14.6 W		2412 lm		569 mm	1	2899770000
<b>Housing length 700 mm</b>									
WIL-EXXX-RXPS-5700-X700-M8DX	PMMA	M8 / M8	18.2 W		3015 lm		709 mm	1	2899860000
WIL-EXXX-RXPS-5700-X700-M8XX	PMMA	M8	18.2 W		3015 lm		709 mm	1	2899780000
<b>Housing length 840 mm</b>									
WIL-EXXX-RXPS-5700-X840-M8XX	PMMA	M8	20.1 W		3618 lm		849 mm	1	2899130000
<b>Housing length 980 mm</b>									
WIL-EXXX-RXPS-5700-X980-M8XX	PMMA	M8	23.5 W		4221 lm		989 mm	1	2899790000
<b>Housing length 1120 mm</b>									
WIL-EXXX-RXPS-5700-1120-M8XX	PMMA	M8	33.5 W		4824 lm		1129 mm	1	2899800000
<b>Housing length 1400 mm</b>									
WIL-EXXX-RXPS-5700-1400-M8XX	PMMA	M8	33.5 W		5224 lm		1409 mm	1	2899810000
<b>Note</b>	Products and technical data available in the third quarter of 2023.								



## Weidmüller Industry Light – Series WIL-E

### Colour variants

Lamp colour red, green, blue, white



### Technical data

Rated voltage	24 V DC
Wiring	Pin 1 - 4: control multicolor LED, Pin 5: GND(-)
Protection degree	IP54
Depth	35 mm
Height	35 mm
Approvals	CE: cURus

**Note**

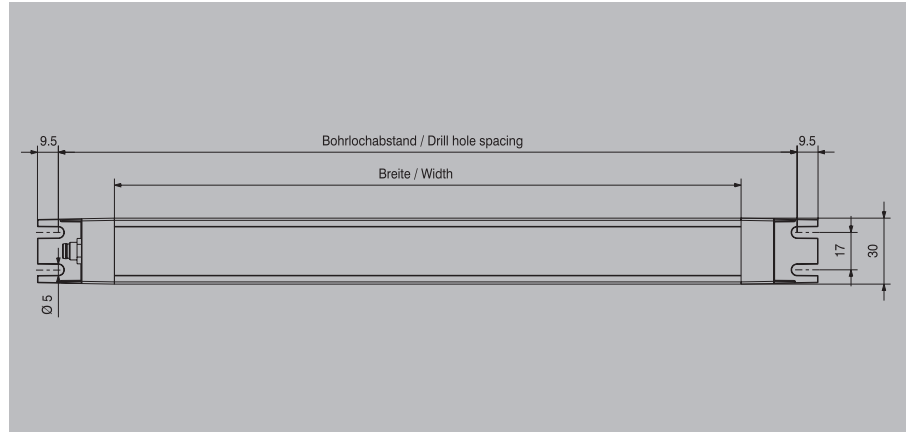
### Ordering data

Type	Material of LED cover	Connection thread	Power	Rated current	Light current	Illumination level	Drill hole spacing	Qty.	Order No.
<b>Housing length 280 mm, light colour red, green, blue</b>									
WIL-ERGBX-RXSS-XXXX-X280-M8XX	PMMA	M8	13.7 W				289 mm	1	<b>2899870000</b>
<b>Housing length 280 mm, light colour red, green, blue, white</b>									
WIL-ERGBW-RXSS-XXXX-X280-M8XX	PMMA	M8	5.5 W				289 mm	1	<b>2899880000</b>

**Note**

Rated voltage 24 V DC

Light colour 5700 K



### Technical data

Rated voltage	24 V DC
Wiring	Pin 1: control white LED 24V DC, Pin 2: NC, Pin 3: GND(-), Pin 4: NC
Protection degree	IP40
Depth	30 mm
Height	17.5 mm
Approvals	CE; cURus
<b>Note</b>	

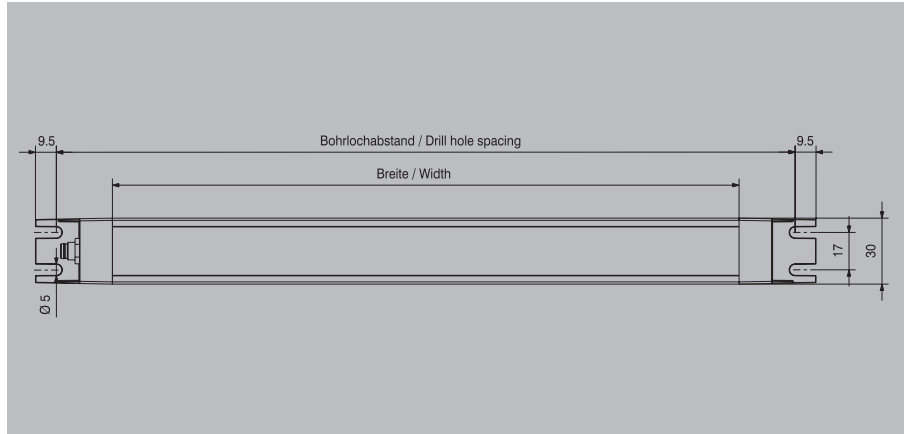
### Ordering data

Type	Material of LED cover	Connection thread	Power	Rated current	Light current	Illumination level	Drill hole spacing	Qty.	Order No.
<b>Housing length 140 mm</b>									
WIL-SXXX-FXSF-5700-X140-M8DX-S	PMMA	M8 / M8	3.4 W	141.7 mA	422 lm	148 lux	196 mm	1	2899950000
WIL-SXXX-FXSF-5700-X140-M8XX-S	PMMA	M8	3.4 W	141.7 mA	422 lm	148 lux	196 mm	1	2899890000
<b>Housing length 280 mm</b>									
WIL-SXXX-FXSF-5700-X280-M8DX-S	PMMA	M8 / M8	6.8 W	283.3 mA	844 lm	287 lux	336 mm	1	2899960000
WIL-SXXX-FXSF-5700-X280-M8XX-S	PMMA	M8	6.8 W	283.3 mA	844 lm	287 lux	336 mm	1	2899900000
<b>Housing length 560 mm</b>									
WIL-SXXX-FXSF-5700-X560-M8DX-S	PMMA	M8 / M8	13.5 W	562.5 mA	1266 lm	562 lux	616 mm	1	2899970000
WIL-SXXX-FXSF-5700-X560-M8XX-S	PMMA	M8	13.5 W	562.5 mA	1266 lm	562 lux	616 mm	1	2899910000
<b>Housing length 840 mm</b>									
WIL-SXXX-FXSF-5700-X840-M8DX-S	PMMA	M8 / M8	20.3 W	845.8 mA	2532 lm	819 lux	896 mm	1	2899980000
WIL-SXXX-FXSF-5700-X840-M8XX-S	PMMA	M8	20.3 W	845.8 mA	2532 lm	819 lux	896 mm	1	2899920000
<b>Housing length 1120 mm</b>									
WIL-SXXX-FXSF-5700-1120-M8XX-S	PMMA	M8	27 W	1125 mA	3376 lm	1079 lux	1176 mm	1	2899930000
<b>Housing length 1400 mm</b>									
WIL-SXXX-FXSF-5700-1400-M8XX-S	PMMA	M8	33.9 W	1412.5 mA	4221 lm	1335 lux	1456 mm	1	2899940000
<b>Note</b>									

**Weidmüller Industry Light – Series WIL-S**

**Rated voltage 12...30 V DC**

**Light colour 6500 K**



**Technical data**

Rated voltage	12...30 V DC
Wiring	Pin 1: control white LED 12-30V DC, Pin 2: dimmable 1.2-10V DC, Pin 3: GND(-), Pin 4: NC
Protection degree	IP69K
Depth	30 mm
Height	17.5 mm
Approvals	CE: cURus
<b>Note</b>	

**Ordering data**

Type	Material of LED cover	Connection thread	Power	Rated current	Light current	Illumination level	Drill hole spacing	Qty.	Order No.
<b>Housing length 140 mm</b>									
WIL-SXXX-FXPF-6500-X140-M8DX-S		M8 / M8	3.6 W		603 lm		196 mm	1	2900160000
WIL-SXXX-FXPF-6500-X140-M8XX-S		M8	3.6 W		603 lm		196 mm	1	2899990000
<b>Housing length 280 mm</b>									
WIL-SXXX-FXPF-6500-X280-M8DX-S		M8 / M8	7.3 W		1206 lm		336 mm	1	2900170000
WIL-SXXX-FXPF-6500-X280-M8XX-S		M8	7.3 W		1206 lm		336 mm	1	2900110000
<b>Housing length 560 mm</b>									
WIL-SXXX-FXPF-6500-X560-M8DX-S		M8 / M8	14.6 W		2412 lm		616 mm	1	2900180000
WIL-SXXX-FXPF-6500-X560-M8XX-S		M8	14.6 W		2412 lm		616 mm	1	2900120000
<b>Housing length 840 mm</b>									
WIL-SXXX-FXPF-6500-X840-M8DX-S		M8 / M8	21.9 W		3618 lm		896 mm	1	2900190000
WIL-SXXX-FXPF-6500-X840-M8XX-S		M8	21.9 W		3618 lm		896 mm	1	2900130000
<b>Housing length 1120 mm</b>									
WIL-SXXX-FXPF-6500-1120-M8XX-S		M8	29.9 W		4824 lm		1176 mm	1	2900140000
<b>Housing length 1400 mm</b>									
WIL-SXXX-FXPF-6500-1400-M8XX-S		M8	36.2 W		6030 lm		1456 mm	1	2900150000
<b>Note</b>	Products and technical data available in the third quarter of 2023.								



# LED expertise

## Lumen

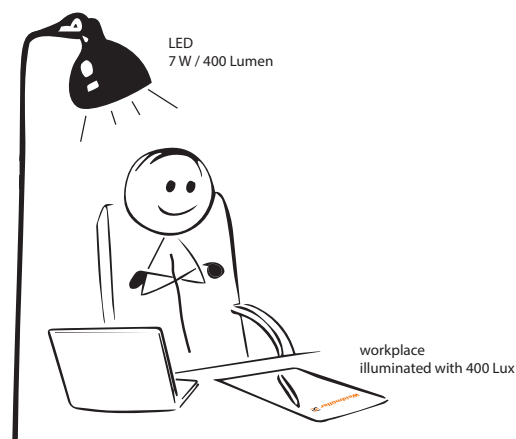
The unit lumen denotes the total light output of a light source.

This light output is called luminous flux. Luminous flux is measured per watt, and is used for the quality assurance of light sources.

## Lux

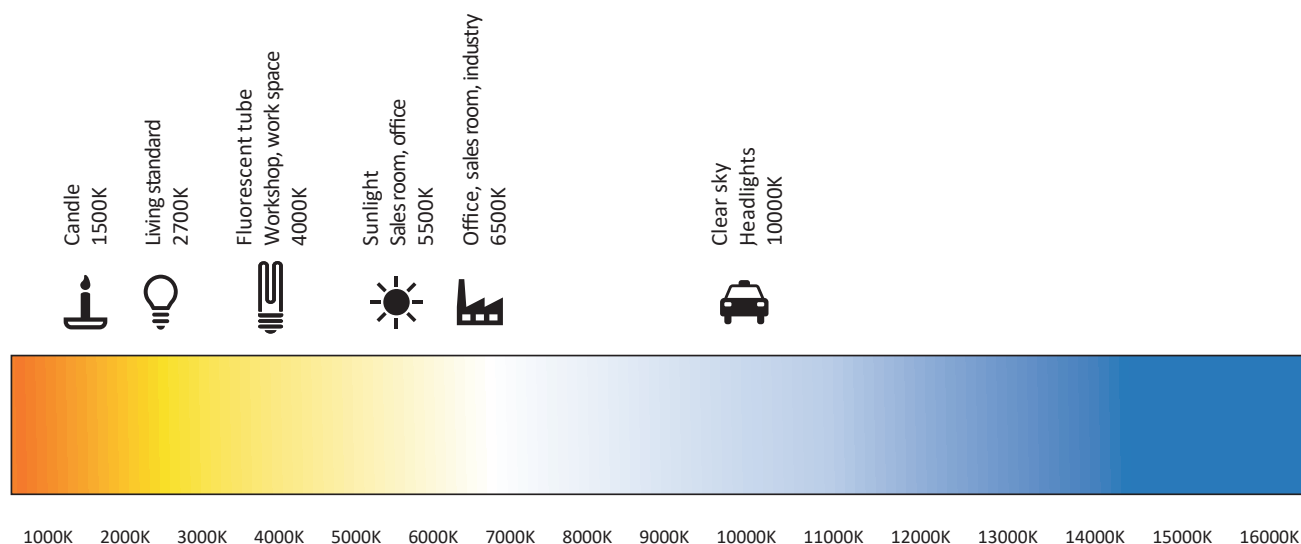
The lux unit is more limited and precise than the lumen unit.

This unit is used to calculate the amount of light (luminous flux) that falls on a certain, clearly defined area. This could be a tabletop or a sheet of paper for example.



## Kelvin

The kelvin unit indicates the colour temperature of a light source. The kelvin value of a lamp indicates whether the lamp emits warm light or cool light. A lamp with a low kelvin value provides warm white light. The higher the kelvin value, the cooler the lighting effect.



# Get to know the rest of our LED portfolio

## Mono, Duo, WIPL

### Mono LED RC

- Mono LED for illumination of platforms and work areas
- Mono K LED for direct object lighting
- IP67 protection degree
- DC wide-range input from 20 V DC to 60 V DC
- Mounting with magnets or screws



## G

### Duo LED RC

- Illumination in two directions
- Focused light beam
- Ideal for wall lighting
- Tower and ladder range
- IP67 protection degree
- DC wide-range input from 20 V DC to 60 V DC
- Mounting with magnets or screws



### Weidmüller Industrial Power LED

- High level of illumination
- AC versions will be available in Q3/2023
- Luminosity and colour temperature can be adjusted
- Multiple connections as single line, feed-through or distribution
- Mounting with magnets or screws



# JACKPAC® (IP67)

<b>JACKPAC® (IP67)</b>	JACKPAC® - Overview	H.2
	JACKPAC® relay	H.3
	JACKPAC® timer	H.4
	JACKPAC® signal inverter	H.5
	JACKPAC® galvanic signal separation	H.6
	JACKPAC® Cat. 6 surge protection	H.7
	JACKPAC® test	H.8
	JACKPAC® - General Data and Accessories	H.9
	Empty housing SAI JACKPAC® for custom built-in components	H.10

# The Concept

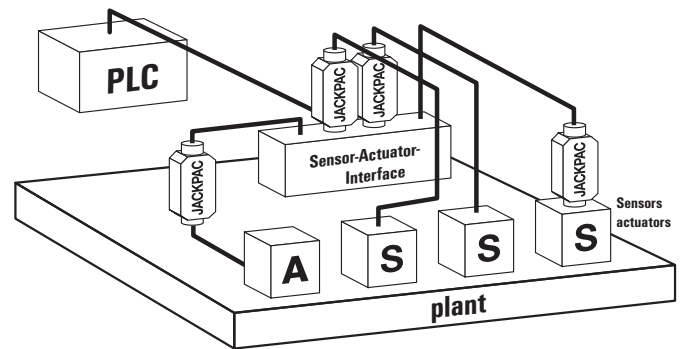
## The IP20 Solution

Until now, all signal conditioning tasks were carried out by modules designed to IP20. For their own protection, these needed to be installed in central switchgear cabinets. However, decentralised solutions that do not require large switchgear cabinets are increasingly being sought for use in modern-day industrial automation technology. It is true that shielded signals can be fed to the machinery via powerful fieldbus systems; but in each case, however, there remains an interconnecting cable between the subdistribution boards and the sensors/actuators are susceptible to interference from surrounding operations. As has always been the case, signals are still influenced by overvoltages and earth loops; interference pulses are superimposed on sensor signals and malfunctions can be initiated. The result is that signal conditioning modules sealed to IP20 require terminal boxes, such as switchgear cabinets, or even cost-intensive special solutions (for example, sensor-actuator distributors with integrated signal-conditioning functions providing as many functions as possible, even when these are surplus to requirements).

H

## The JACKPAC® Solution

By introducing **JACKPAC®**, the new M12 Signal Box with the high IP67 ingress protection, Weidmüller can now provide a modular and versatile concept that makes it possible to condition signals in an industrial environment. Requiring no additional enclosures, these modules can be installed directly on the machine, in the production plant, conveyor system or within a process. The M12 connector, which is standardised all over the world, makes it possible to integrate the **JACKPAC®** at any point in the sensor-actuator cabling. The fixed pin assignment means it is easy to install and is protected against polarity reversal. This versatility really comes into its own when an installation needs to be altered or modernised, simply because no additional enclosures or cabling are required. By providing this high degree of protection and versatility, **JACKPAC®** renders possible innovative automation concepts based on decentralised applications – without large control cabinets or small distribution boards – for consistent, transparent, efficient and cost-efficient installations.



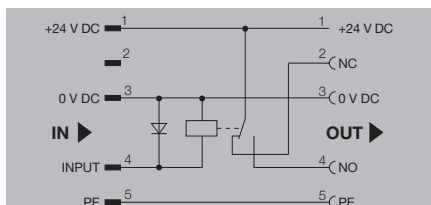
- Easy 'Plug and Play' installation
- Universal and versatile usage
- No additional enclosure required
- Saves time and costs
- Ideal for decentralised concepts and plant modernisation (retrofitting)

### Switching amplifier

- Amplifiers are easily installed in the switching line of the actuator
- In this way, for example, the 24 V DC / 0.5 A switching outputs can be reinforced up to 24 V DC & 2 A.
- Optionally with galvanic isolation to isolate the input and output circuits, preventing reaction at the switching output
- Connection voltage input at the output via the T-distributor

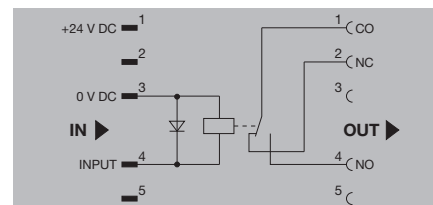
### JPR 24 V DC 1C0 M12

without isolation



### JPR 24 V DC ISO 1C0 M12

With galvanic isolation



### Technical data

Input	
Rated control voltage	24 V DC ±20 %
Rated current DC	8 mA
Power rating	200 mW
Pull-in/drop-out voltage, typ.	16.8 V / 1.2 V DC
Pull-in/drop-out current, typ.	5 mA / 1 mA DC
Protective circuit	Free-wheeling diode
Output	
DC switching capacity (resistive), max.	48 W @ 24 V
AC switching capacity (resistive), max.	48 VA @ 48 V
Min. switching power	1 mA @ 24 V, 10 mA @ 10 V, 100 mA @ 5 V
Contact material	AgSnO
Mechanical service life	10 x 10 <sup>6</sup> switching cycles
Max. switching frequency at rated load	0.1 Hz
Switch-on delay / Switch-off delay	approx. 5 ms / ≤ 12 ms
Insulation coordinates	
Rated voltage	300
Overvoltage category	III
Pollution degree	2
General data	
Ambient temperature (operational)	-25 °C...70 °C
Storage temperature	-25 °C...70 °C
Wire connection method	M12 plug/socket, A-coded
Approvals	CE; cULus

Rated control voltage	24 V DC ±20 %
Rated current DC	8 mA
Power rating	200 mW
Pull-in/drop-out voltage, typ.	16.8 V / 1.2 V DC
Pull-in/drop-out current, typ.	5 mA / 1 mA DC
Protective circuit	Free-wheeling diode
DC switching capacity (resistive), max.	48 W @ 24 V
AC switching capacity (resistive), max.	48 VA @ 48 V
Min. switching power	1 mA @ 24 V, 10 mA @ 10 V, 100 mA @ 5 V
Contact material	AgSnO
Mechanical service life	10 x 10 <sup>6</sup> switching cycles
Max. switching frequency at rated load	0.1 Hz
Switch-on delay / Switch-off delay	approx. 5 ms / ≤ 12 ms
Rated voltage	300
Overvoltage category	III
Pollution degree	2
Ambient temperature (operational)	-25 °C...70 °C
Storage temperature	-25 °C...70 °C
Wire connection method	M12 plug/socket, A-coded
Approvals	CE; cULus

Rated control voltage	24 V DC ±20 %
Rated current DC	8 mA
Power rating	200 mW
Pull-in/drop-out voltage, typ.	16.8 V / 1.2 V DC
Pull-in/drop-out current, typ.	5 mA / 1 mA DC
Protective circuit	Free-wheeling diode
DC switching capacity (resistive), max.	48 W @ 24 V
AC switching capacity (resistive), max.	48 VA @ 48 V
Min. switching power	1 mA @ 24 V, 10 mA @ 10 V, 100 mA @ 5 V
Contact material	AgSnO
Mechanical service life	10 x 10 <sup>6</sup> switching cycles
Max. switching frequency at rated load	0.1 Hz
Switch-on delay / Switch-off delay	approx. 5 ms / ≤ 12 ms
Rated voltage	300
Overvoltage category	III
Pollution degree	2
Ambient temperature (operational)	-25 °C...70 °C
Storage temperature	-25 °C...70 °C
Wire connection method	M12 plug/socket, A-coded
Approvals	CE; cULus

Dimensions	
Clamping range (nominal / min. / max.)	
Length x width x height	mm 83 / 36 / 14.4
Note	
Data for TU = 20 °C	

Clamping range (nominal / min. / max.)	
Length x width x height	mm 83 / 36 / 14.4
Data for TU = 20 °C	

Clamping range (nominal / min. / max.)	
Length x width x height	mm 83 / 36 / 14.4
Data for TU = 20 °C	

### Ordering data

Type	Qty.	Order No.
JPR 24VDC 1C0 M12	1	8771420000

Type	Qty.	Order No.
JPR 24VDC 1C0 M12	1	8771420000

Type	Qty.	Order No.
JPR 24VDC ISO 1C0 M12	1	8771430000

Note

Note

Note

### Accessories

Note
Retaining clip JP CLIP M: 8778490000

Note
Retaining clip JP CLIP M: 8778490000

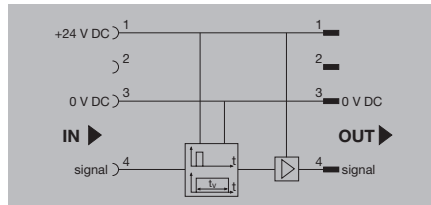
Note
Retaining clip JP CLIP M: 8778490000

Timer relay

Signal extenders can be easily connected to the cable between the sensor and the input modules. They extend the pulse length from a minimum 1 ms to 50 ms or 100 ms. This enables reliable recognition and evaluation of short sensor signals by the controller.

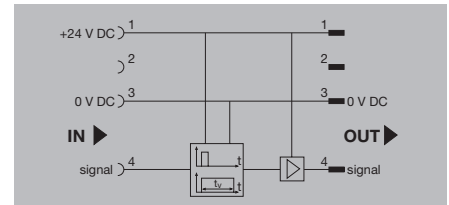
JPTA 50 MS 24VDC PNP M12

Pulse stretching, 50 ms



JPTA 100 MS 24VDC PNP M12

Pulse stretching, 100 ms



Technical data

<b>Input</b>	
Rated control voltage	18...24...30 V DC
Rated current DC	3,5...7,0...10,0 mA
Switch-off delay	50 ms
<b>Output</b>	
Max. switching voltage, DC	30 V
Max. switching current	400 mA
<b>Insulation coordinates</b>	
Rated voltage	32 V
Impulse withstand voltage	330 V
Overvoltage category	I
Pollution degree	2
<b>General data</b>	
Ambient temperature (operational)	0 °C...60 °C
Storage temperature	-20 °C...85 °C
Wire connection method	M12 plug/socket, A-coded
Approvals	CE; cULus

<b>Input</b>	
Rated control voltage	18...24...30 V DC
Rated current DC	3,5...7,0...10,0 mA
Switch-off delay	50 ms
<b>Output</b>	
Max. switching voltage, DC	30 V
Max. switching current	400 mA
<b>Insulation coordinates</b>	
Rated voltage	32 V
Impulse withstand voltage	330 V
Overvoltage category	I
Pollution degree	2
<b>General data</b>	
Ambient temperature (operational)	0 °C...60 °C
Storage temperature	-20 °C...85 °C
Wire connection method	M12 plug/socket, A-coded
Approvals	CE; cULus

<b>Input</b>	
Rated control voltage	18...24...30 V DC
Rated current DC	3,5...7,0...10,0 mA
Switch-off delay	100 ms
<b>Output</b>	
Max. switching voltage, DC	30 V
Max. switching current	400 mA
<b>Insulation coordinates</b>	
Rated voltage	32 V
Impulse withstand voltage	330 V
Overvoltage category	I
Pollution degree	2
<b>General data</b>	
Ambient temperature (operational)	0 °C...60 °C
Storage temperature	-20 °C...85 °C
Wire connection method	M12 plug/socket, A-coded
Approvals	CE; cULus

<b>Dimensions</b>	
Clamping range (nominal / min. / max.)	
Length x width x height	/ 36 / 14.4
<b>Note</b>	

<b>Dimensions</b>	
Clamping range (nominal / min. / max.)	
Length x width x height	/ 36 / 14.4
<b>Note</b>	

<b>Dimensions</b>	
Clamping range (nominal / min. / max.)	
Length x width x height	/ 36 / 14.4
<b>Note</b>	

Ordering data

<b>Note</b>	
-------------	--

Type	Qty.	Order No.
JPTA 50MS 24VDC PNP M12	1	8771440000

Type	Qty.	Order No.
JPTA100MS 24VDC PNP M12	1	8836630000

Accessories

<b>Note</b>	
-------------	--

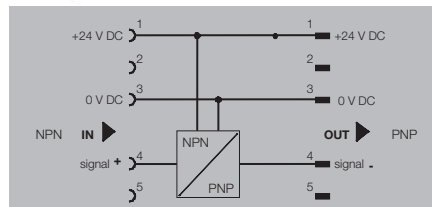
Retaining clip JP CLIP M: 8778490000
---

Retaining clip JP CLIP M: 8778490000
---

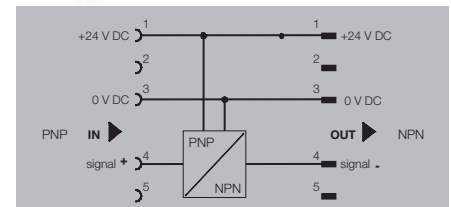
### Signal inverter

Signal inverters convert PNP sensor signals to NPN signals and NPN signals back to PNP. This means that existing circuits do not require complex alteration and the existing inputs on the I/O cards can be put to best use. This is particularly well suited for the Asian and North American markets.

### JPP NPN PNP 24 V DC



### JPP PNP NPN 24 V DC



### Technical data

<b>Input</b>
Sensor
Rated control voltage
Input current for sensor
Type of contact
<b>Output</b>
Solid-state type
Rated switching voltage
Rated switching current
Voltage drop at max. load
<b>Insulation coordinates</b>
Rated voltage
Impulse withstand voltage
Overvoltage category
Pollution degree
<b>General data</b>
Ambient temperature (operational)
Storage temperature
Wire connection method
Approvals

2-/ 3-Conductor Sensor NPN-type
18...24...30 V DC
< 200 mA
NO contact
Solid state relay
18...30 V DC
400 mA
≤ 1 V
32 V
500 V
I
2
0 °C...60 °C
-20 °C...85 °C
M12 plug/socket, A-coded
CE; cULus

2-/ 3-Conductor Sensor PNP-Type
18...24...30 V DC
< 200 mA
NO contact
Solid state relay
18...30 V DC
400 mA
≤ 0.3 V
32 V
500 V
I
2
0 °C...60 °C
-20 °C...85 °C
M12 plug/socket, A-coded
CE; cULus

<b>Dimensions</b>
Clamping range (nominal / min. / max.)
Length x width x height mm
<b>Note</b>

83 / 36 / 14.4
----------------

83 / 36 / 14.4
----------------

### Ordering data

Type
JPP NPN PNP 24VDC

Qty.
1
Order No.
8852350000

Type
JPP PNP NPN 24VDC

Qty.
1
Order No.
8857030000

<b>Note</b>
-------------

<b>Note</b>
-------------

### Accessories

<b>Note</b>
-------------

Retaining clip
JP CLIP M: 8778490000

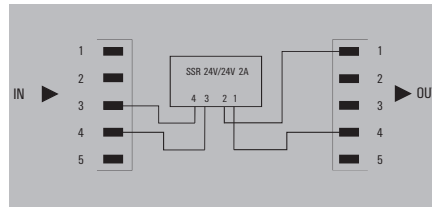
Retaining clip
JP CLIP M: 8778490000

# JACKPAC® galvanic signal separation

## Galvanic signal separation

There are applications in which the voltage potential of the second system parts should not be connected. In these case, it makes sense to perform a galvanic signal separation. For this purpose, this JACKPAC® was developed with a built-in optocoupler.

## JPO 24VDC 0.2A M12S



### Technical data

<b>Input</b>	
Rated control voltage	18...24...30 V DC
Nominal control current	0.01 A DC
<b>Output</b>	
Rated switching voltage	3...33 V DC
Rated switching current	200 mA
<b>Insulation coordinates</b>	
Rated voltage	32 V
Protection degree	IP67
Overvoltage category	I
Pollution degree	2
<b>General data</b>	
Ambient temperature (operational)	-20 °C...60 °C
Storage temperature	-20 °C...60 °C
Type of connection	M12 plug / plug, A-coded
Approvals	CE

<b>Dimensions</b>	
Clamping range (nominal / min. / max.)	
Length x width x height	93 / 36 / 14.4 mm
<b>Note</b>	Length of connected cable smaller than 30 m

### Ordering data

Type	Qty.	Order No.
JPO 24VDC 0.2A M12S	1	2465830000

<b>Note</b>	
-------------	--

### Accessories

<b>Note</b>	Retaining clip JP CLIP M: 8778490000
-------------	---

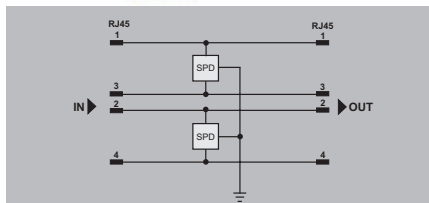


**Surge protection**

Surge protection protects equipment against surge voltages that can occur as a result of atmospheric discharges or storms. This type of protection, in the form of an adapter plug, is available in IP20 and IP67 versions and complies with the requirements of C 2 of IEC 61643-21.

**JPOVP RJ45 Cat6 IP20**

Ethernet Cat.6, Cable length 3 m



**Technical data**

Rated data IEC/EN	
Rated voltage (DC)	48 V
Rated current $I_n$	0.2 A
Rated voltage (AC)	34 V
Discharge $I_{max}$ (8/20 $\mu$ s) wire-wire/wire-PE/GND-PE	10 kA
Discharge current $I_n$ (8/20 $\mu$ s) wire-wire	5 kA
Response time	$\leq 5$ ns
Insulation coordinates	
Rated voltage (DC)	48 V
Protection degree	IP20
Overtoltage category	III
Pollution degree	2
General data	
Ambient temperature (operational)	-25 °C...60 °C
Storage temperature	-25 °C...70 °C
Type of connection	IP20, RJ45 plug-in connector
Approvals	CE

Rated voltage (DC)	48 V
Rated current $I_n$	0.2 A
Rated voltage (AC)	34 V
Discharge $I_{max}$ (8/20 $\mu$ s) wire-wire/wire-PE/GND-PE	10 kA
Discharge current $I_n$ (8/20 $\mu$ s) wire-wire	5 kA
Response time	$\leq 5$ ns
Insulation coordinates	
Rated voltage (DC)	48 V
Protection degree	IP20
Overtoltage category	III
Pollution degree	2
General data	
Ambient temperature (operational)	-25 °C...60 °C
Storage temperature	-25 °C...70 °C
Type of connection	IP20, RJ45 plug-in connector
Approvals	CE

Dimensions	
Clamping range (nominal / min. / max.)	
Length x width x height	mm 83 / 36 / 14.4
Note	
Each with 1.5 m cable	

Clamping range (nominal / min. / max.)	
Length x width x height	mm 83 / 36 / 14.4
Note	
Each with 1.5 m cable	

**Ordering data**

Note		

Type	Qty.	Order No.
JPOVP RJ45 CAT6 IP20	1	8805550000

**Accessories**

Note

Retaining clip JP CLIP M 8778490000
--

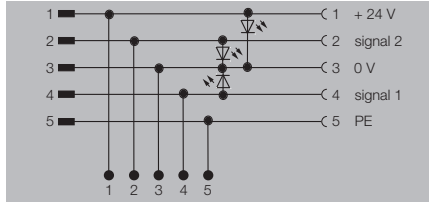
**JACKPAC® test**

**Test adapter**

The JACKPAC® test adapter now provides a simple way of intervening into an M12 network. It can be integrated at any point and enables quick and easy connection of a testing device via 5 PUSH IN connections. Status displays indicate the status of the two signal channels and the 24 VDC auxiliary voltage.

**JP TEST**

with status indication



**Technical data**

**Input**

Rated control voltage  
Rated current DC  
Status indicator

**Output**

Continuous current  
Power

**General data**

Ambient temperature (operational)  
Storage temperature  
Wire connection method  
Approvals

18...24...30 V DC

2.2 mA (LED)

Green LED

2 A

2.2 mA at 24 V

...

-25 °C...70 °C

M12 plug/socket, A-coded

CE

**Dimensions**

Clamping range (nominal / min. / max.)

Length x width x height

mm

83 / 36 / 14.4

**Note**

**Ordering data**

Type	Qty.	Order No.
JP TEST	1	8794120000

**Note**

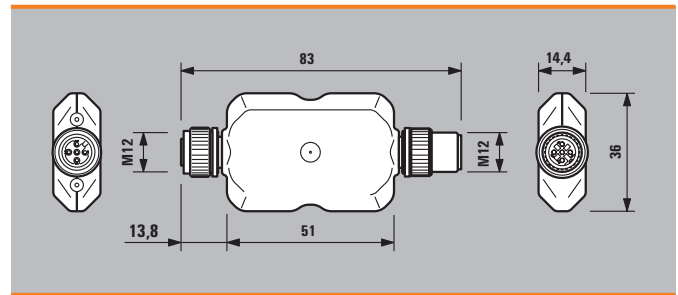
**Accessories**

**Note**

Retaining clip  
JP CLIP M: 8778490000

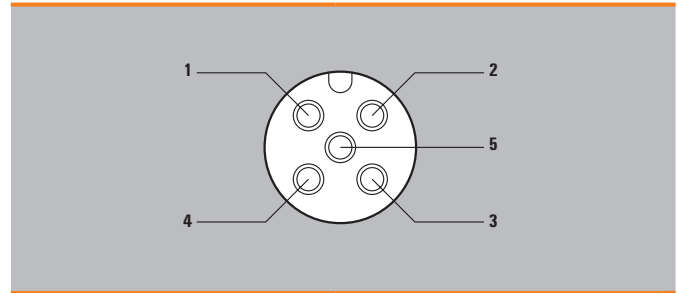
**General data**

Ingress protection class	IP67
Housing material	PBT, RAL 7032 (grey)
Flammability class	V0 to UL94
Screw socket	M12, CuZn, nickel plated, A-coded
Rated torque	0.8 ... 1 Nm



**Contact assignment (socket)**

Pole	Assignment
1	+24 V DC
2	Input / output 2
3	0 V DC
4	Input / output 1
5	PE / Earth



**Accessories**

**Retaining clip**



Type	Qty.	Order No.
Stainless steel	1	8778490000

**Y-distributor**



Type	Qty.	Order No.
5-pole	1	1783430000

**Screwty® M12**



Type	Qty.	Order No.
With torque	1	1900001000

**Sensor cables**



Type	Qty.	Order No.
4-pole, length 0.3 m	1	1906300030
4-pole, length 0.6 m	1	1906300050
4-pole, length 1.5 m	1	1906300150
5-pole, length 0.3 m	1	9457340030
5-pole, length 0.6 m	1	9457340060
5-pole, length 1.5 m	1	9457340150

Additional accessories can be found in the Sensor Actuator Interface catalogue.

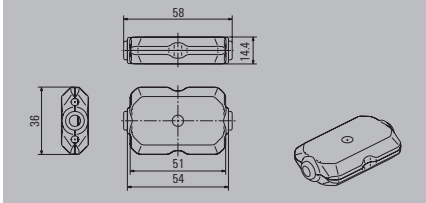
JACKPAC® (IP67)

H

Empty housing SAI JACKPAC® for custom built-in components

Empty housing SAI JACKPAC® for custom built-in components

SAI JP



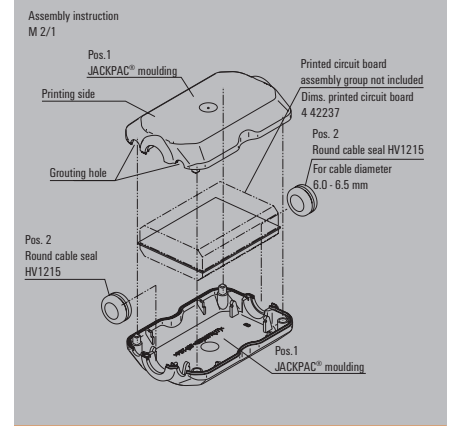
Technical data

General data

Temperature range  
 Connection system  
 Contact base material  
 Surface finish

-25 °C ... +70 °C  
 M12 plug/socket, A-coded  
 AgSnO  
 Au

Dimensioned drawing SAI JP



Dimensions

Length x width x height mm

83 x 36 x 14.4

Note

Please use high-viscosity or fast-cure compound.

Ordering data

Housing with M12 connectors

Contents	1 piece
	1 piece
	100 pieces
	100 pieces

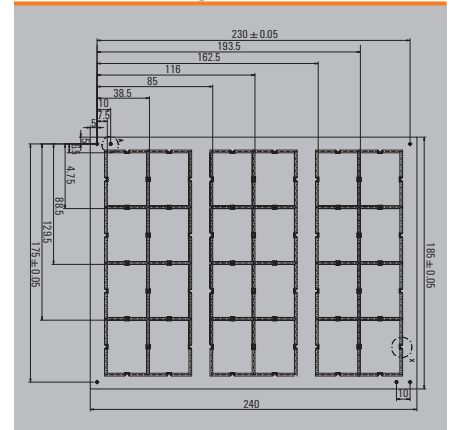
Note

Type	No. of poles	Qty.	Order No.
SAI JP 4P LG	4	1	1915220000
SAI JP 5P LG	5	1	1918520000
SAI JP 4P LG 100	4	1	8794090000
SAI JP 5P LG 100	5	1	8794080000

Housing without M12 connectors SAI JP FC SET 1933680000  
 1 Qty. = 100 pieces

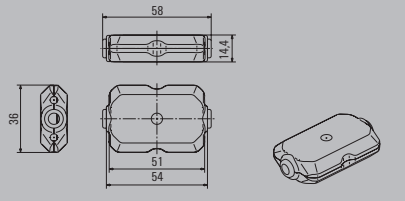
Accessories

Dimensioned drawing, PCBs



Empty housing SAI JACKPAC®  
for custom built-in components

SAI JP



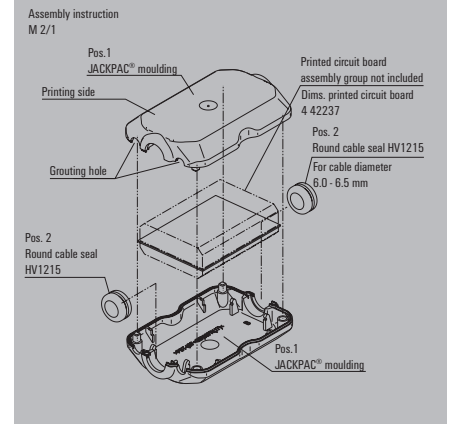
Technical data

General data

Temperature range  
Connection system  
Contact base material  
Surface finish

-25 °C ... +70 °C  
M12 plug/socket, A-coded  
AgSnO  
Au

Dimensioned drawing SAI JP



H

Dimensions

Length x width x height mm

83 x 36 x 14.4

Note

Please use high-viscosity or fast-cure compound.

Ordering data

Gehäuse Varianten

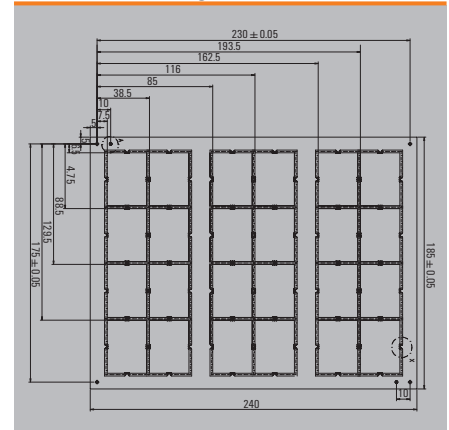
Without M12 plug connector with seal	100 pieces
Without M12 plug connector without seal	100 pieces
Mit/With M12 male connector, seal and retaining clip	100 pieces

Type	No. of poles	Qty.	Order No.
SAI JP FC SET 100		1	1933680000
SAI JP FC SET-WG 100		1	2773240000
SAI JP 4P LG K1	4	1	2819850000

Note

Accessories

Dimensioned drawing, PCBs





# Device connectors

---

<b>Device connectors</b>	Introduction	1.2
	Quick finder	1.4
	Device connectors	1.6

---

## M8 and M12 PCB connectors

Today, PCB connectors are used in many areas of mechanical engineering. They are used anywhere where harsh environmental conditions require a device design with especially reliable connections.

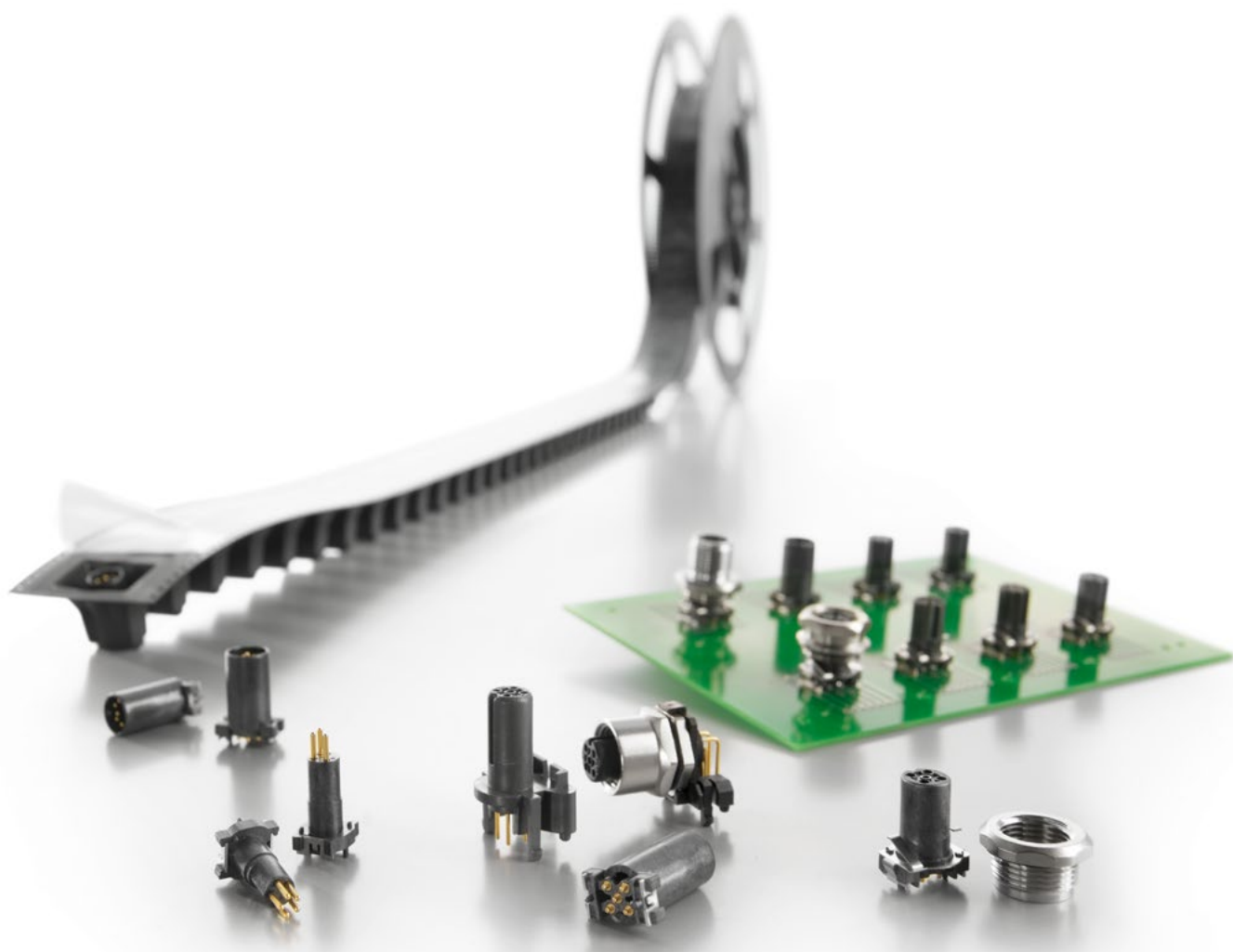
All of the components in the M8 and M12 plug-in connector series are perfectly coordinated to one another, making design and assembly significantly easier.

### Benefits of our PCB connectors:

- M8 and M12 versions available
- Different variants for different soldering processes
- Front and back panel mounting
- One and two-part variants





**SAI lines are the perfect complement**

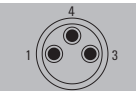
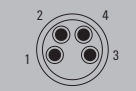
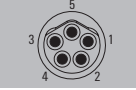
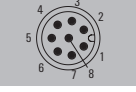
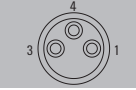
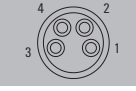
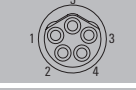
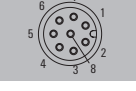
At Weidmüller, you will find a wide range of complementary products in the form of lines and customisable plug-in connectors for field wiring.



**Quick finder**

**Quick finder for dome and Flange-mounted housing**



Mating profile	No. of poles	M8 Dom	2424430000	2424460000	2424520000	2424530000	2424480000	2424500000	2424540000	2424550000
<b>MB plug</b>	 3-pole 3-pole with shielding	2421750000			X	X			X	X
		2421810000			X	X			X	X
	 4-pole 4-pole with shielding	2421870000			X	X			X	X
		2421930000			X	X			X	X
	 B-coded, 5-pole B-coded, 5-pole with shielding	2421990000			X	X			X	X
		2422050000			X	X			X	X
	 8-pole 8-pole with shielding	2422110000			X	X			X	X
		2422170000			X	X			X	X
<b>MB socket</b>	 3-pole 3-pole with shielding	2421720000	X	X			X	X		
		2421780000	X	X			X	X		
	 4-pole 4-pole with shielding	2421840000	X	X			X	X		
		2421900000	X	X			X	X		
	 B-coded, 5-pole B-coded, 5-pole with shielding	2421960000	X	X			X	X		
		2422020000	X	X			X	X		
	 8-pole 8-pole with shielding	2422080000	X	X			X	X		
		2422140000	X	X			X	X		
<b>Possible locknut</b>			2424560000				2424570000			

**Note:** The M8/M12 flange-mounted housing and dome can be found on the following pages.

Flange-mounted housing M12		
Screw-in threads M14		
Coupling housing		Plug housing
Height	Height	Height
9 mm	13 mm	9 mm



Mating profile	No. of poles	M12 Dom	2423920000	2423950000	2423980000
----------------	--------------	---------	------------	------------	------------

<b>M12 plug</b>		4-pole	<b>2422540000</b>		X
		4-pole with shielding	<b>2423500000</b>		X
		B-coded, 4-pole with shielding	<b>2422720000</b>		X
					X
		5-pole with shielding	<b>2422600000</b>		X
				X	
		B-coded, 5-pole with shielding	<b>2422780000</b>		X
				X	
		8-pole with shielding	<b>2422420000</b>		X
			<b>2423620000</b>		X

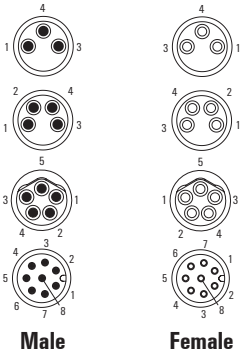
<b>M12 socket</b>		4-pole	<b>2422060000</b>	X	X
		4-pole with shielding	<b>2422180000</b>	X	X
		B-coded, 4-pole with shielding	<b>2422840000</b>	X	X
				X	X
		D-coded, 4-pole with shielding	<b>2422960000</b>	X	X
				X	X
		5-pole with shielding	<b>2422120000</b>	X	X
			X	X	
		B-coded, 5-pole with shielding	<b>2422900000</b>	X	X
			X	X	
		8-pole with shielding	<b>2422480000</b>	X	X
			<b>2423380000</b>	X	X

<b>Possible locknut</b>	<b>2424010000</b>
-------------------------	-------------------

Note: The M8/M12 flange-mounted housing and dome can be found on the following pages.

Device connectors

**M8**  
Dip solder  
one-piece



**Rear panel mounting**

Board-to-board distance: 5.5 mm



**Ordering data**

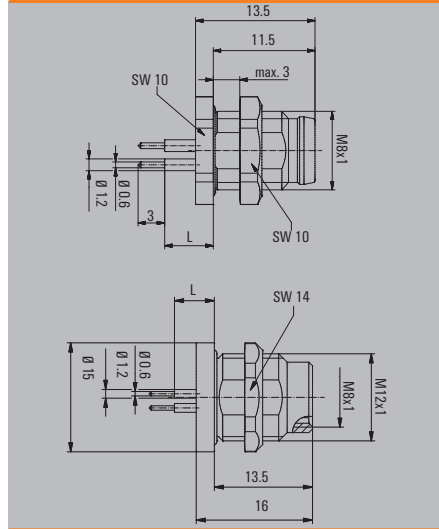
Male, straight	
	3-pole
	4-pole
	B-coded, 5-pole
	8-pole
Female, straight	
	4-pole
	B-coded, 5-pole
	8-pole
Note	

Type	Qty.	Order No.
SAIE-M8S-3-H5.5TL	10	2421570000
SAIE-M8S-4-H5.5TL	10	2421580000
SAIE-M8S-5B-H5.5TL	10	2421590000
SAIE-M8S-8-H5.5TL	10	2421690000
SAIE-M8B-4-H5.5TL	10	2421610000
SAIE-M8B-5B-H5.5TL	10	2421630000
SAIE-M8B-8-H5.5TL	10	2421650000

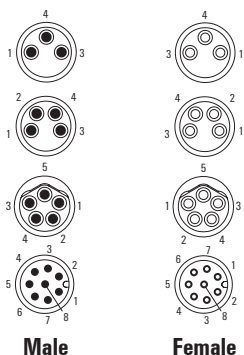
**Technical data**

Rated voltage	60 V (3-pole) / 30 V (4-,5- and 8-pole)
Rated current	4 A (3-, 4- and 5-pole) / 1.5 A (8-pole)
Temperature range	-30...80 °C
Protection degree	IP67
Contact surface	Au (Gold)
Housing main material	CuZn, nickel-plated
Connection thread	M8
Tightening torque	M8: 0.5 Nm
Mounting thread	Pin: M8 / Socket: M12
Mounting torque range	0.8 Nm
Note	

**Dimensioned drawing**



**M8, dip solder  
two-piece  
shielded**



**Ordering data**

Male, straight	
	3-pole
	4-pole
Female, straight	
	4-pole
	5-pole
	8-pole
Note	

**Technical data**

Rated voltage	60 V (3-pole) / 30 V (4-,5- and 8-pole)
Rated current	4 A (3-, 4- and 5-pole) / 1.5 A (8-pole)
Temperature range	-30...80 °C
Protection degree	IP67
Contact surface	Au (Gold)
Housing main material	CuZn, nickel-plated
Connection thread	M8
Tightening torque	M8: 0.5 Nm
Mounting thread	Pin: M8 / Socket: M12
Mounting torque range	0.8 Nm
Note	

**Rear panel mounting**

Board-to-board distance: 6 mm



**Rear panel mounting**

Board-to-board distance: 10 mm



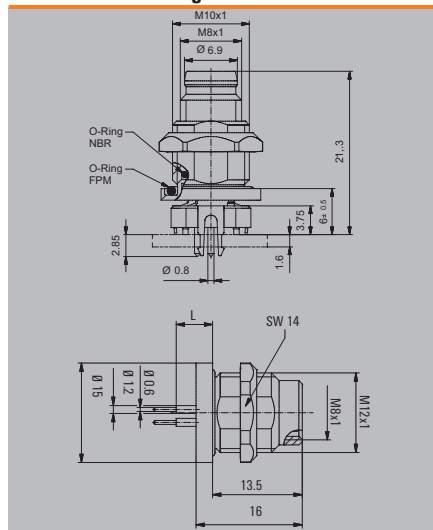
Type	Qty.	Order No.
SAIE-M8S-3S-H6TL	25	2423490000
SAIE-M8S-4S-H6TL	25	2423610000
SAIE-M8B-5S-H6TL	25	2423700000
SAIE-M8B-8S-H6TL	25	2423400000

Type	Qty.	Order No.
SAIE-M8S-3S-H10TL	25	2423520000
SAIE-M8S-4S-H10TL	25	2423640000
SAIE-M8B-4S-H10TL	25	2423580000
SAIE-M8B-8S-H10TL	25	2423730000

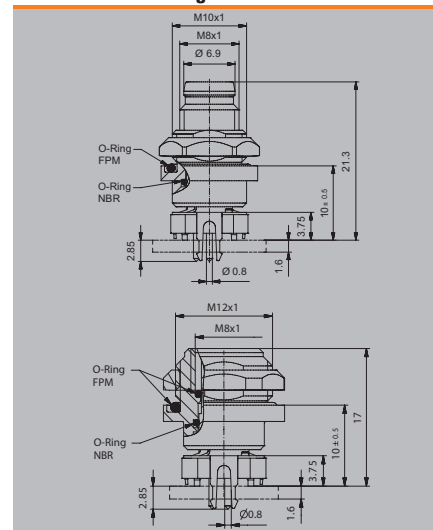
Rated voltage	60 V (3-pole) / 30 V (4-,5- and 8-pole)
Rated current	4 A (3-, 4- and 5-pole) / 1.5 A (8-pole)
Temperature range	-30...80 °C
Protection degree	IP67
Contact surface	Au (Gold)
Housing main material	CuZn, nickel-plated
Connection thread	M8
Tightening torque	M8: 0.5 Nm
Mounting thread	Pin: M8 / Socket: M12
Mounting torque range	0.8 Nm
Note	

Rated voltage	60 V (3-pole) / 30 V (4-,5- and 8-pole)
Rated current	4 A (3-, 4- and 5-pole) / 1.5 A (8-pole)
Temperature range	-30...80 °C
Protection degree	IP67
Contact surface	Au (Gold)
Housing main material	CuZn, nickel-plated
Connection thread	M8
Tightening torque	M8: 0.5 Nm
Mounting thread	Pin: M8 / Socket: M12
Mounting torque range	0.8 Nm
Note	

**Dimensioned drawing**

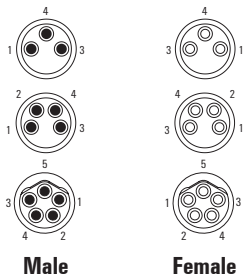


**Dimensioned drawing**



Device connectors

**M8, dip solder  
two-piece  
shielded**



**Ordering data**

Male, straight	3-pole
Female, straight	4-pole
	5-pole
<b>Note</b>	

**Technical data**

Rated voltage
Rated current
Temperature range
Protection degree
Contact surface
Housing main material
Connection thread
Tightening torque
Mounting thread
Mounting torque range
<b>Note</b>

**Front mounting**

Board-to-board distance: 9 mm



Type	Qty.	Order No.
SAIE-M8S-3S-F9TL	25	2423430000
SAIE-M8B-4S-F9TL	25	2423550000

Rated voltage
Rated current
Temperature range
Protection degree
Contact surface
Housing main material
Connection thread
Tightening torque
Mounting thread
Mounting torque range
<b>Note</b>

**Front mounting**

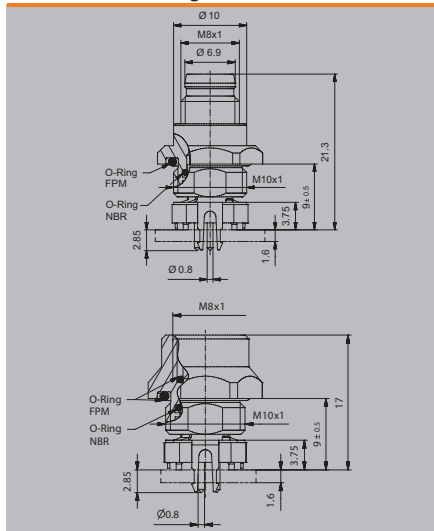
Board-to-board distance: 13 mm



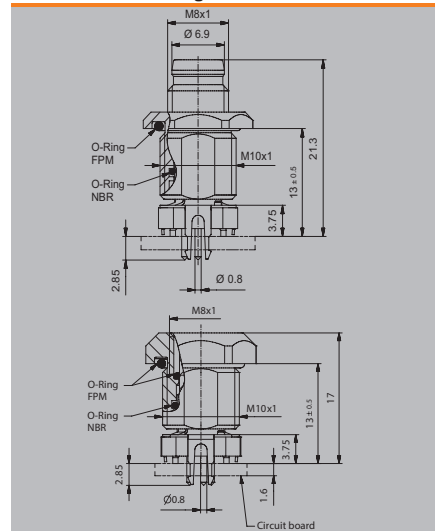
Type	Qty.	Order No.
SAIE-M8S-3S-F13TL	25	2423460000
SAIE-M8B-5S-F13TL	25	2423670000

Rated voltage
Rated current
Temperature range
Protection degree
Contact surface
Housing main material
Connection thread
Tightening torque
Mounting thread
Mounting torque range
<b>Note</b>

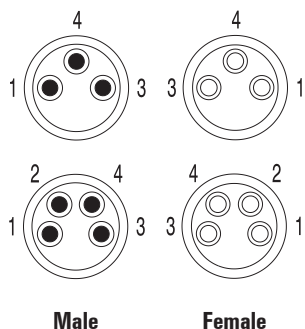
**Dimensioned drawing**



**Dimensioned drawing**



**M8**  
Dip solder  
two-piece  
shielded



**Rear panel mounting**

Board-to-board distance: 8 mm



**Rear panel mounting**

Board-to-board distance: 12 mm



**Ordering data**

Male, angled	
	3-pole
	4-pole
Female, angled	
	3-pole
	4-pole
Note	

Type	Qty.	Order No.
SAIEW-M8S-3S-H8TL	10	2424300000
SAIEW-M8S-4S-H8TL	10	2424420000
SAIEW-M8B-3S-H8TL	10	2424250000
SAIEW-M8B-4S-H8TL	10	2424360000

Type	Qty.	Order No.
SAIEW-M8S-3S-H12TL	10	2424330000
SAIEW-M8S-4S-H12TL	10	2424450000
SAIEW-M8B-3S-H12TL	10	2424280000
SAIEW-M8B-4S-H12TL	10	2424390000

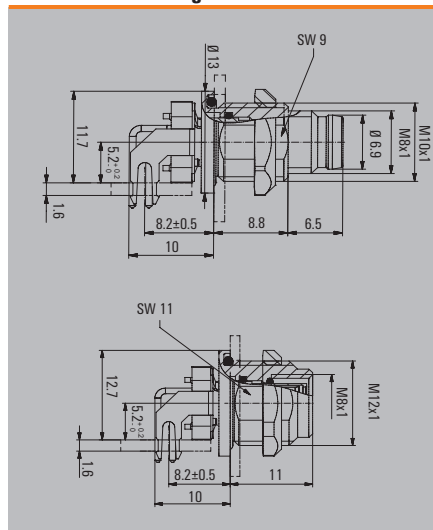
**Technical data**

Rated voltage	60 V (3-pole) / 30 V (4-pole)
Rated current	4 A
Temperature range	-30...80 °C
Protection degree	IP67
Contact surface	Au (Gold)
Housing main material	CuZn, nickel-plated
Connection thread	M8
Tightening torque	M8: 0.5 Nm
Mounting thread	Pin: M8 / Socket: M12
Mounting torque range	0.8 Nm
Note	

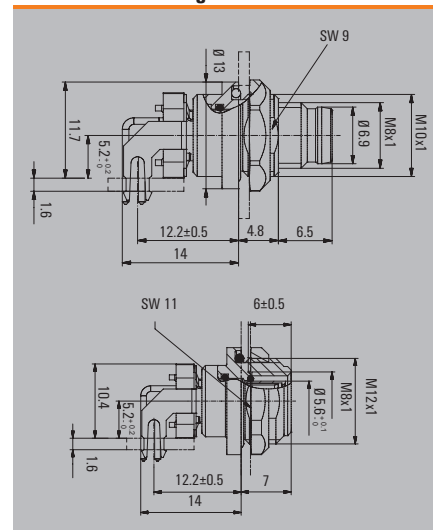
Rated voltage	60 V (3-pole) / 30 V (4-pole)
Rated current	4 A
Temperature range	-30...80 °C
Protection degree	IP67
Contact surface	Au (Gold)
Housing main material	CuZn, nickel-plated
Connection thread	M8
Tightening torque	M8: 0.5 Nm
Mounting thread	Pin: M8 / Socket: M12
Mounting torque range	0.8 Nm
Note	

Rated voltage	60 V (3-pole) / 30 V (4-pole)
Rated current	4 A
Temperature range	-30...80 °C
Protection degree	IP67
Contact surface	Au (Gold)
Housing main material	CuZn, nickel-plated
Connection thread	M8
Tightening torque	M8: 0.5 Nm
Mounting thread	Pin: M8 / Socket: M12
Mounting torque range	0.8 Nm
Note	

**Dimensioned drawing**

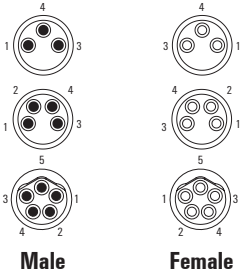


**Dimensioned drawing**



Device connectors

**M8  
THR  
two-piece**



**Ordering data**

Male, straight	
	3-pole
	4-pole
Female, straight	
	3-pole
	5-pole
Note	

**Technical data**

Rated voltage	60 V (3-pole) / 30 V (4-,5- and 8-pole)
Rated current	4 A
Temperature range	-30...80 °C
Protection degree	IP67
Contact surface	Au (Gold)
Housing main material	CuZn, nickel-plated
Connection thread	M8
Tightening torque	M8: 0.5 Nm
Mounting thread	M10
Mounting torque range	0.8 Nm
Note	

**Front mounting**

Board-to-board distance: 9 mm



**Front mounting**

Board-to-board distance: 13 mm



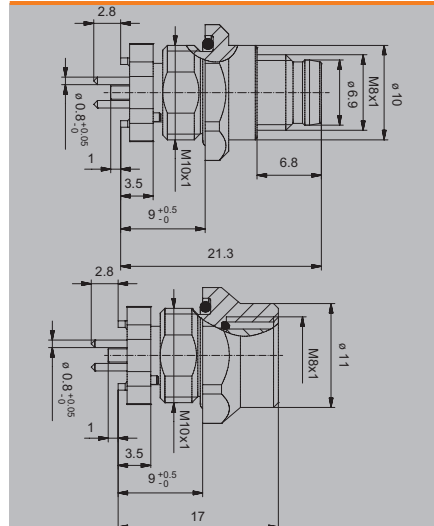
Type	Qty.	Order No.
SAIE-M8S-3-F9THR	25	2422860000
SAIE-M8S-4-F9THR	25	2423070000
SAIE-M8B-3-F9THR	25	2422800000
SAIE-M8B-5-F9THR	25	2423250000

Type	Qty.	Order No.
SAIE-M8S-3-F13THR	25	2422890000
SAIE-M8S-4-F13THR	25	2423100000
SAIE-M8B-3-F13THR	25	2422830000
SAIE-M8B-5-F13THR	25	2423280000

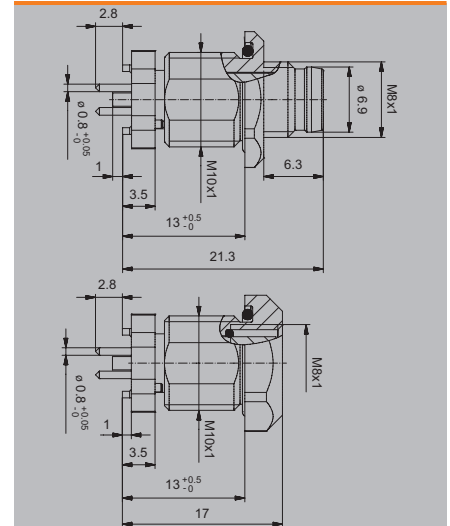
Rated voltage	60 V (3-pole) / 30 V (4-,5- and 8-pole)
Rated current	4 A
Temperature range	-30...80 °C
Protection degree	IP67
Contact surface	Au (Gold)
Housing main material	CuZn, nickel-plated
Connection thread	M8
Tightening torque	M8: 0.5 Nm
Mounting thread	M10
Mounting torque range	0.8 Nm
Note	

Rated voltage	60 V (3-pole) / 30 V (4-,5- and 8-pole)
Rated current	4 A
Temperature range	-30...80 °C
Protection degree	IP67
Contact surface	Au (Gold)
Housing main material	CuZn, nickel-plated
Connection thread	M8
Tightening torque	M8: 0.5 Nm
Mounting thread	M10
Mounting torque range	0.8 Nm
Note	

**Dimensioned drawing**

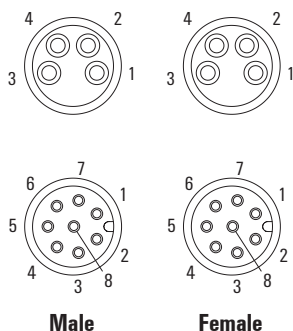


**Dimensioned drawing**





**M8  
THR**  
two-piece



**Rear panel mounting**

Board-to-board distance: 6 mm



**Rear panel mounting, shielded**

Board-to-board distance: 10 mm



**Ordering data**

Male, straight	4-pole
Female, straight	4-pole
	8-pole
<b>Note</b>	

Type	Qty.	Order No.
SAIE-M8S-4-H6THR	25	2423130000
SAIE-M8B-4-H6THR	25	2422980000

Type	Qty.	Order No.
SAIE-M8S-4S-H10THR	25	2423220000
SAIE-M8B-8S-H10THR	25	2423370000

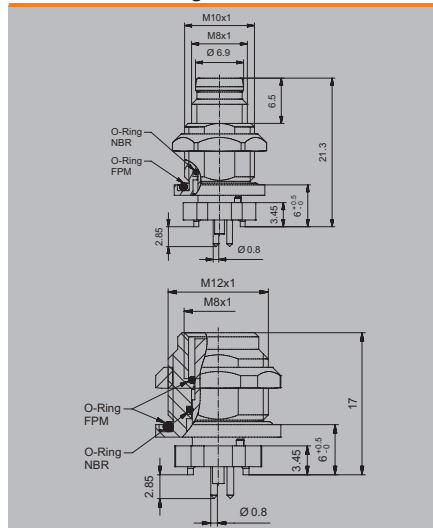
**Technical data**

Rated voltage	30 V
Rated current	4 A (3-, 4- and 5-pole) / 1.5 A (8-pole)
Temperature range	-30...80 °C
Protection degree	IP67
Contact surface	Au (Gold)
Housing main material	CuZn, nickel-plated
Connection thread	M8
Tightening torque	M8: 0.5 Nm
Mounting thread	Pin: M10 / Socket: M12
Mounting torque range	0.8 Nm
<b>Note</b>	

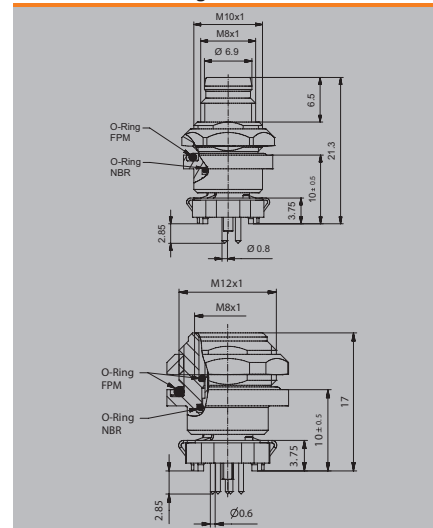
Rated voltage	30 V
Rated current	4 A (3-, 4- and 5-pole) / 1.5 A (8-pole)
Temperature range	-30...80 °C
Protection degree	IP67
Contact surface	Au (Gold)
Housing main material	CuZn, nickel-plated
Connection thread	M8
Tightening torque	M8: 0.5 Nm
Mounting thread	Pin: M10 / Socket: M12
Mounting torque range	0.8 Nm
<b>Note</b>	

Rated voltage	30 V
Rated current	4 A (3-, 4- and 5-pole) / 1.5 A (8-pole)
Temperature range	-30...80 °C
Protection degree	IP67
Contact surface	Au (Gold)
Housing main material	CuZn, nickel-plated
Connection thread	M8
Tightening torque	M8: 0.5 Nm
Mounting thread	Pin: M10 / Socket: M12
Mounting torque range	0.8 Nm
<b>Note</b>	

**Dimensioned drawing**

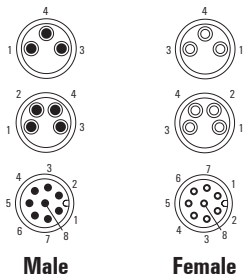


**Dimensioned drawing**



## Device connectors

### M8 THR two-piece shielded



Male

Female

#### Ordering data

Male, straight	
	3-pole
	4-pole
Female, straight	
	4-pole
	8-pole
Note	

#### Technical data

Rated voltage	60 V (3-pole) / 30 V (4-, 5- and 8-pole)
Rated current	4 A (3-, 4- and 5-pole) / 1.5 A (8-pole)
Temperature range	-30...80 °C
Protection degree	IP67
Contact surface	Au (Gold)
Housing main material	CuZn, nickel-plated
Connection thread	M8
Tightening torque	M8: 0.5 Nm
Mounting thread	M10
Mounting torque range	0.8 Nm
Note	

#### Front mounting

Board-to-board distance: 9 mm



#### Front mounting

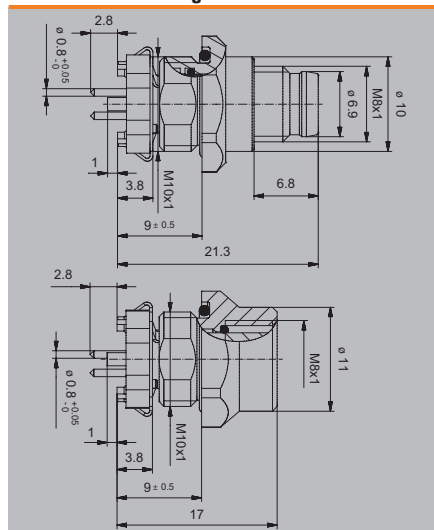
Board-to-board distance: 13 mm



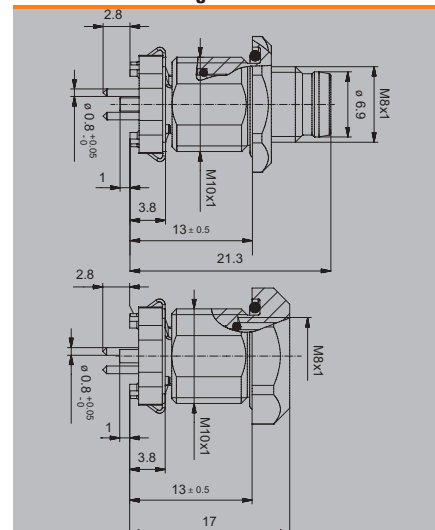
Type	Qty.	Order No.
SAIE-M8S-3S-F9THR	25	2422920000
SAIE-M8S-4S-F9THR	25	2423160000
SAIE-M8B-4S-F9THR	25	2423010000
SAIE-M8B-8S-F9THR	25	2423310000

Type	Qty.	Order No.
SAIE-M8S-3S-F13THR	25	2422950000
SAIE-M8B-4S-F13THR	25	2423040000
SAIE-M8B-8S-F13THR	25	2423340000

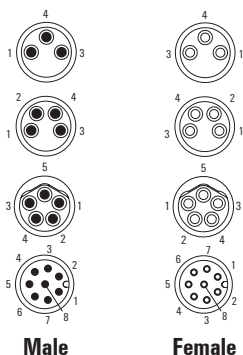
#### Dimensioned drawing



#### Dimensioned drawing



M8  
THR  
DOM



Unshielded



Shielded



Ordering data

Male, straight	
3-pole	SAID-M8S-3-THR
4-pole	SAID-M8S-4-THR
5-pole	SAID-M8S-5-THR
8-pole	SAID-M8S-8-THR
Female, straight	
3-pole	SAID-M8B-3-THR
4-pole	SAID-M8B-4-THR
5-pole	SAID-M8B-5-THR
8-pole	SAID-M8B-8-THR
Note	

Type	Qty.	Order No.
SAID-M8S-3-THR	25	2423790000
SAID-M8S-4-THR	25	2423910000
SAID-M8S-5-THR	25	2424030000
SAID-M8S-8-THR	25	2424150000
SAID-M8B-3-THR	25	2423760000
SAID-M8B-4-THR	25	2423880000
SAID-M8B-5-THR	25	2424000000
SAID-M8B-8-THR	25	2424130000
Note		

Type	Qty.	Order No.
SAID-M8S-3S-THR	25	2423850000
SAID-M8S-4S-THR	25	2423970000
SAID-M8S-5S-THR	25	2424090000
SAID-M8S-8S-THR	25	2424220000
SAID-M8B-3S-THR	25	2423820000
SAID-M8B-4S-THR	25	2423940000
SAID-M8B-5S-THR	25	2424060000
SAID-M8B-8S-THR	25	2424190000
Note		

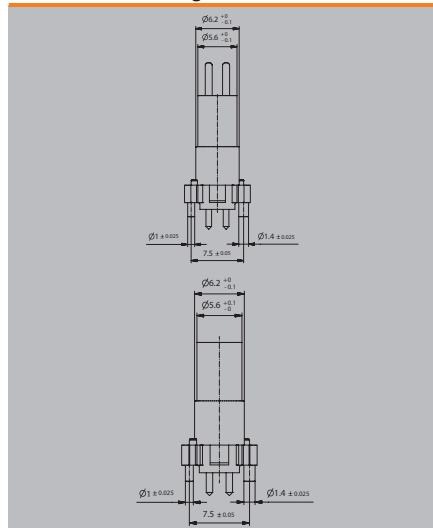
Technical data

Rated voltage	60 V (3-pole) / 30 V (4-,5- and 8-pole)
Rated current	4 A (3-, 4- and 5-pole) / 1.5 A (8-pole)
Temperature range	-25...95 °C
Protection degree	IP67
Contact surface	Au (Gold)
Housing main material	LCP
Connection thread	M8
Tightening torque	M8: 0.5 Nm
Mounting thread	
Mounting torque range	
Note	

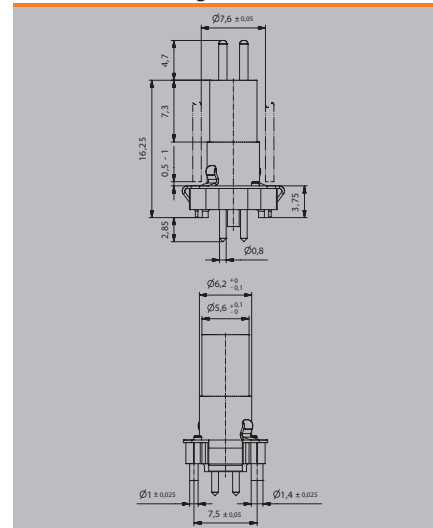
Rated voltage	60 V (3-pole) / 30 V (4-,5- and 8-pole)
Rated current	4 A (3-, 4- and 5-pole) / 1.5 A (8-pole)
Temperature range	-25...95 °C
Protection degree	IP67
Contact surface	Au (Gold)
Housing main material	LCP
Connection thread	M8
Tightening torque	M8: 0.5 Nm
Mounting thread	
Mounting torque range	
Note	

Rated voltage	60 V (3-pole) / 30 V (4-,5- and 8-pole)
Rated current	4 A (3-, 4- and 5-pole) / 1.5 A (8-pole)
Temperature range	-25...95 °C
Protection degree	IP67
Contact surface	Au (Gold)
Housing main material	LCP
Connection thread	M8
Tightening torque	M8: 0.5 Nm
Mounting thread	
Mounting torque range	
Note	

Dimensioned drawing

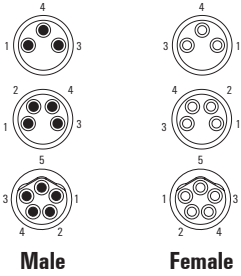


Dimensioned drawing



Device connectors

**M8  
SMT  
two-piece**



**Ordering data**

Male, straight	
	3-pole
	4-pole
Female, straight	
	3-pole
	5-pole
Note	

**Technical data**

Rated voltage	60 V (3-pole) / 30 V (4-,5- and 8-pole)
Rated current	4 A (3-, 4- and 5-pole) / 1.5 A (8-pole)
Temperature range	-30...80 °C
Protection degree	IP67
Contact surface	Au (Gold)
Housing main material	CuZn, nickel-plated
Connection thread	M8
Tightening torque	M8: 0.5 Nm
Mounting thread	M10
Mounting torque range	0.8 Nm
Note	

**Front mounting**

Board-to-board distance: 9 mm



**Front mounting**

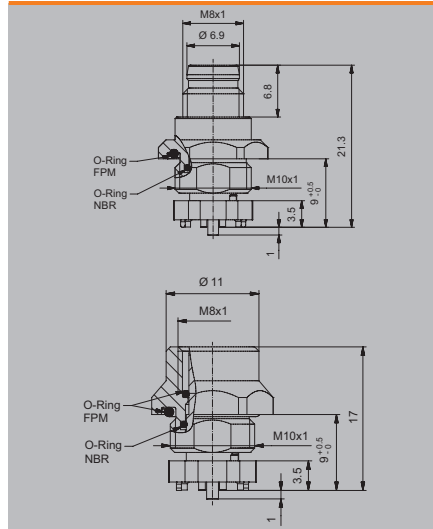
Board-to-board distance: 13 mm



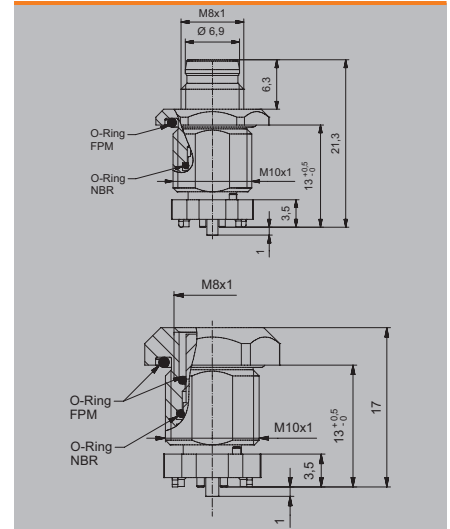
Type	Qty.	Order No.
SAIE-M8S-3-F9SMT	25	2422260000
SAIE-M8S-4-F9SMT	25	2422470000
SAIE-M8B-3-F9SMT	25	2422200000
SAIE-M8B-5-F9SMT	25	2422650000

Type	Qty.	Order No.
SAIE-M8S-3-F13SMT	25	2422290000
SAIE-M8S-4-F13SMT	25	2422500000
SAIE-M8B-3-F13SMT	25	2422230000
SAIE-M8B-5-F13SMT	25	2422680000

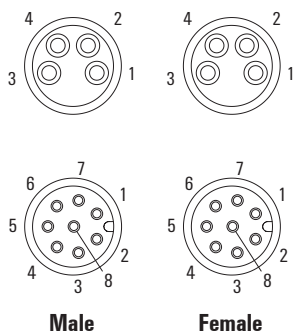
**Dimensioned drawing**



**Dimensioned drawing**



**M8  
SMT  
two-piece**



**Rear panel mounting**

Board-to-board distance: 6 mm



**Rear panel mounting, shielded**

Board-to-board distance: 10 mm



**Ordering data**

Male, straight	4-pole
Female, straight	4-pole
	8-pole
<b>Note</b>	

Type	Qty.	Order No.
SAIE-M8S-4-H6SMT	25	2422530000
SAIE-M8B-4-H6SMT	25	2422380000

Type	Qty.	Order No.
SAIE-M8S-4S-H10SMT	25	2422620000
SAIE-M8B-8S-H10SMT	25	2422770000

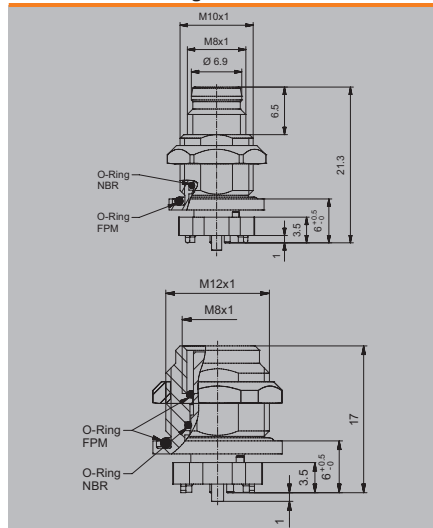
**Technical data**

Rated voltage
Rated current
Temperature range
Protection degree
Contact surface
Housing main material
Connection thread
Tightening torque
Mounting thread
Mounting torque range
<b>Note</b>

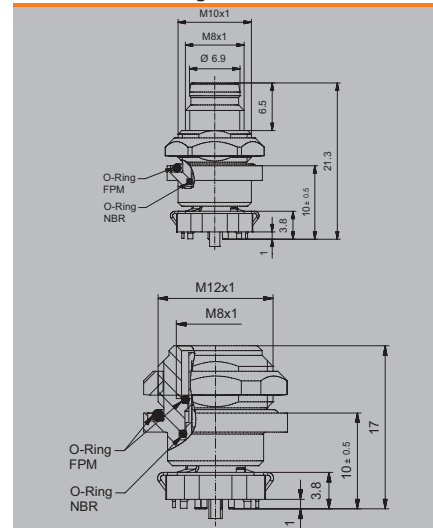
30 V
4 A (3-, 4- and 5-pole) / 1.5 A (8-pole)
-30...80 °C
IP67
Au (Gold)
CuZn, nickel-plated
M8
M8: 0.5 Nm
M10
0.8 Nm

30 V
4 A (3-, 4- and 5-pole) / 1.5 A (8-pole)
-30...80 °C
IP67
Au (Gold)
CuZn, nickel-plated
M8
M8: 0.5 Nm
M10
0.8 Nm

**Dimensioned drawing**

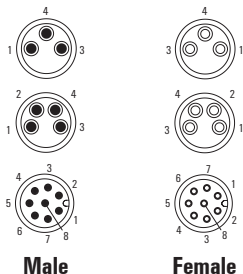


**Dimensioned drawing**



Device connectors

**M8  
SMT  
two-piece  
shielded**



Male

Female

**Ordering data**

Male, straight	
	3-pole
	4-pole
Female, straight	
	4-pole
	8-pole
Note	

**Technical data**

Rated voltage	60 V (3-pole) / 30 V (4-,5- and 8-pole)
Rated current	4 A (3-, 4- and 5-pole) / 1.5 A (8-pole)
Temperature range	-30...80 °C
Protection degree	IP67
Contact surface	Au (Gold)
Housing main material	CuZn, nickel-plated
Connection thread	M8
Tightening torque	M8: 0.5 Nm
Mounting thread	M10
Mounting torque range	0.8 Nm
Note	

**Front mounting**

Board-to-board distance: 9 mm



**Front mounting**

Board-to-board distance: 13 mm



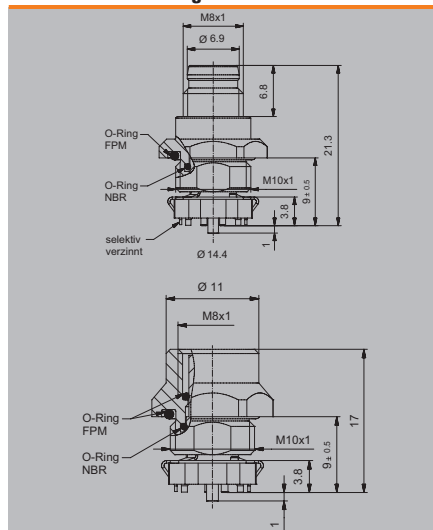
Type	Qty.	Order No.
SAIE-M8S-3S-F9SMT	25	2422320000
SAIE-M8S-4S-F9SMT	25	2422560000
SAIE-M8B-4S-F9SMT	25	2422410000
SAIE-M8B-8S-F9SMT	25	2422710000

Type	Qty.	Order No.
SAIE-M8S-3S-F13SMT	25	2422350000
SAIE-M8S-4S-F13SMT	25	2422590000
SAIE-M8B-4S-F13SMT	25	2422440000
SAIE-M8B-8S-F13SMT	25	2422740000

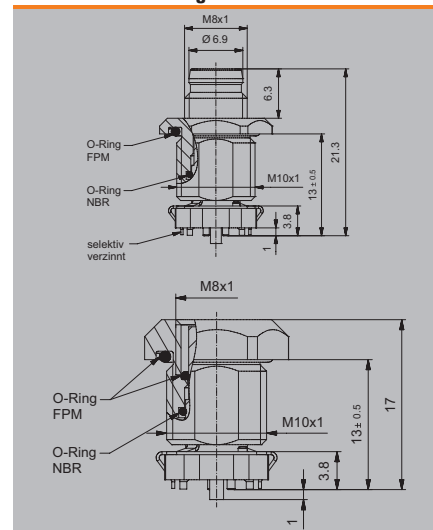
Rated voltage	60 V (3-pole) / 30 V (4-,5- and 8-pole)
Rated current	4 A (3-, 4- and 5-pole) / 1.5 A (8-pole)
Temperature range	-30...80 °C
Protection degree	IP67
Contact surface	Au (Gold)
Housing main material	CuZn, nickel-plated
Connection thread	M8
Tightening torque	M8: 0.5 Nm
Mounting thread	M10
Mounting torque range	0.8 Nm
Note	

Rated voltage	60 V (3-pole) / 30 V (4-,5- and 8-pole)
Rated current	4 A (3-, 4- and 5-pole) / 1.5 A (8-pole)
Temperature range	-30...80 °C
Protection degree	IP67
Contact surface	Au (Gold)
Housing main material	CuZn, nickel-plated
Connection thread	M8
Tightening torque	M8: 0.5 Nm
Mounting thread	M10
Mounting torque range	0.8 Nm
Note	

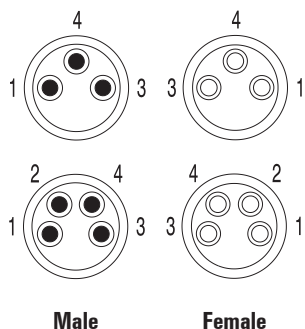
**Dimensioned drawing**



**Dimensioned drawing**



**M8  
SMT  
DOM**



**Unshielded**



**Shielded**



**Ordering data**

Male, straight	
3-pole	
4-pole	
5-pole	
8-pole	
Female, straight	
3-pole	
4-pole	
5-pole	
8-pole	

Type	Qty.	Order No.
SAID-M8S-3-SMT	25	2421750000
SAID-M8S-4-SMT	25	2421870000
SAID-M8S-5-SMT	25	2421990000
SAID-M8S-8-SMT	25	2422110000
SAID-M8B-3-SMT	25	2421720000
SAID-M8B-4-SMT	25	2421840000
SAID-M8B-5-SMT	25	2421960000
SAID-M8B-8-SMT	25	2422080000

Type	Qty.	Order No.
SAID-M8S-3S-SMT	25	2421810000
SAID-M8S-4S-SMT	25	2421930000
SAID-M8S-5S-SMT	25	2422050000
SAID-M8S-8S-SMT	25	2422170000
SAID-M8B-3S-SMT	25	2421780000
SAID-M8B-4S-SMT	25	2421900000
SAID-M8B-5S-SMT	25	2422020000
SAID-M8B-8S-SMT	25	2422140000

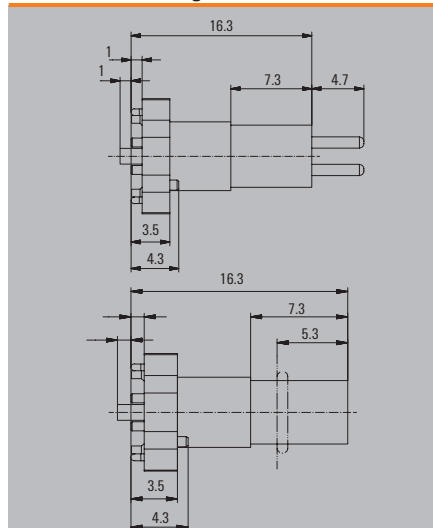
**Technical data**

Rated voltage	60 V (3-pole) / 30 V (4-, 5- and 8-pole)
Rated current	4 A (3-, 4- and 5-pole) / 1.5 A (8-pole)
Temperature range	-25...95 °C
Protection degree	IP67
Contact surface	Au (Gold)
Housing main material	LCP
Connection thread	M8
Tightening torque	M8: 0.5 Nm
Mounting thread	
Mounting torque range	

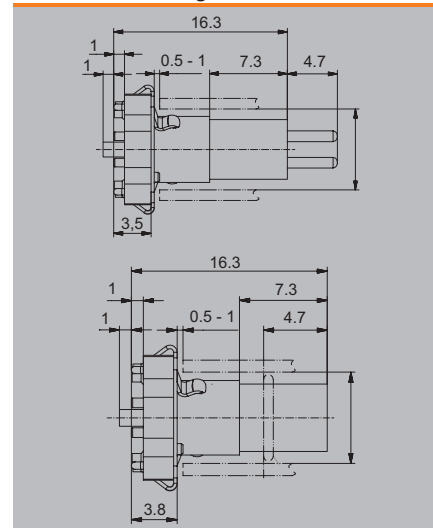
Rated voltage	60 V (3-pole) / 30 V (4-, 5- and 8-pole)
Rated current	4 A (3-, 4- and 5-pole) / 1.5 A (8-pole)
Temperature range	-25...95 °C
Protection degree	IP67
Contact surface	Au (Gold)
Housing main material	LCP
Connection thread	M8
Tightening torque	M8: 0.5 Nm
Mounting thread	
Mounting torque range	

Rated voltage	60 V (3-pole) / 30 V (4-, 5- and 8-pole)
Rated current	4 A (3-, 4- and 5-pole) / 1.5 A (8-pole)
Temperature range	-25...95 °C
Protection degree	IP67
Contact surface	Au (Gold)
Housing main material	LCP
Connection thread	M8
Tightening torque	M8: 0.5 Nm
Mounting thread	
Mounting torque range	

**Dimensioned drawing**



**Dimensioned drawing**

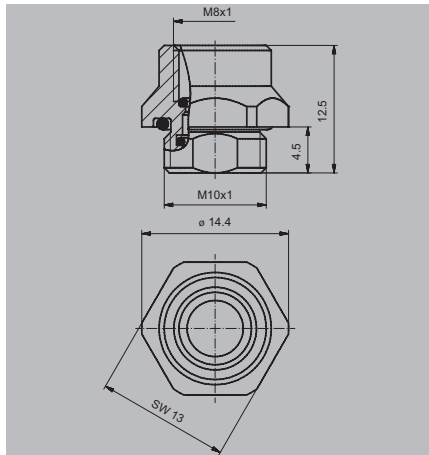


Device connectors

**M8**  
**Flange-mounted housing**  
**Hexagon nut**

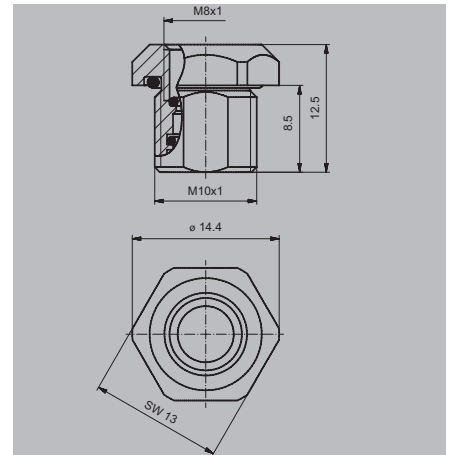
**Coupling**

M10 height: 9 mm



**Coupling**

M10 height: 13 mm



**Technical data**

Housing main material  
 Housing surface  
 Seal material

CuZn  
 nickel-plated  
 FPM, NBR

CuZn  
 nickel-plated  
 FPM, NBR

Note

**Ordering data**

Type	Qty.	Order No.
SAIFG-M8B-M10-9	25	2424430000

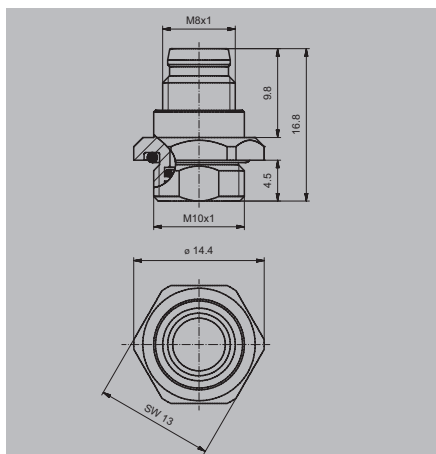
Type	Qty.	Order No.
SAIFG-M8B-M10-13	25	2424460000

Note



**Plug connector**

M10 height: 9 mm

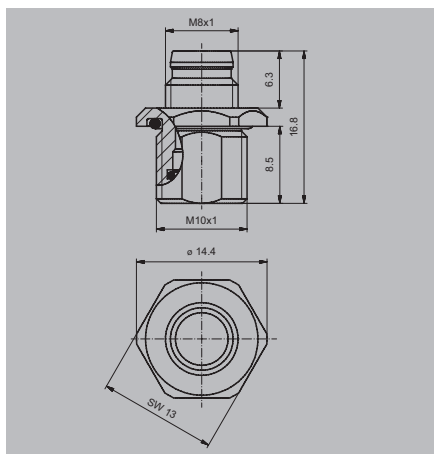


CuZn  
nickel-plated  
FPM, NBR

Type	Qty.	Order No.
SAIFG-M8S-M10-9	25	2424520000

**Plug connector**

M10 height: 13 mm

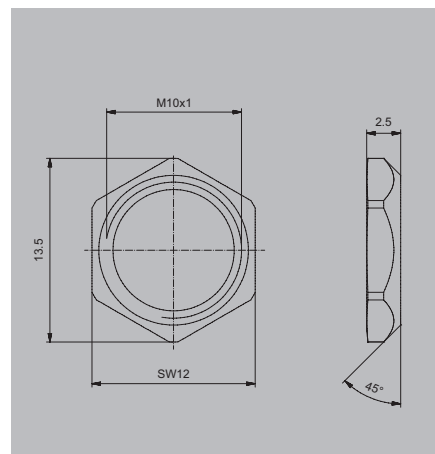


CuZn  
nickel-plated  
FPM, NBR

Type	Qty.	Order No.
SAIFG-M8S-M10-13	25	2424530000

**Hexagon nut**

M10 distance across flat: 12



CuZn  
nickel-plated

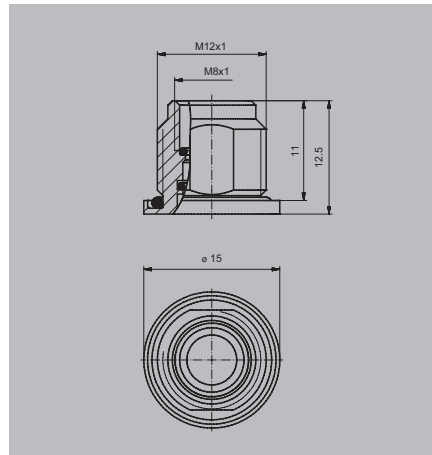
Type	Qty.	Order No.
SAIE-KMM10X1-SW12	25	2424560000

Device connectors

**M8**  
**Flange-mounted housing**  
**Hexagon nut**

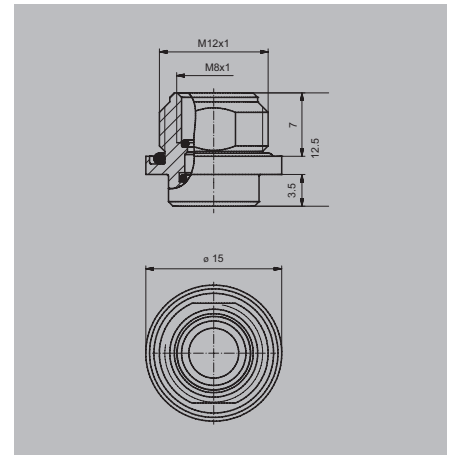
**Coupling**

M12 height: 6 mm



**Coupling**

M12 height: 10 mm



**Technical data**

Housing main material	CuZn	CuZn
Housing surface	nickel-plated	nickel-plated
Seal material	FPM, NBR	FPM, NBR

Note		
------	--	--

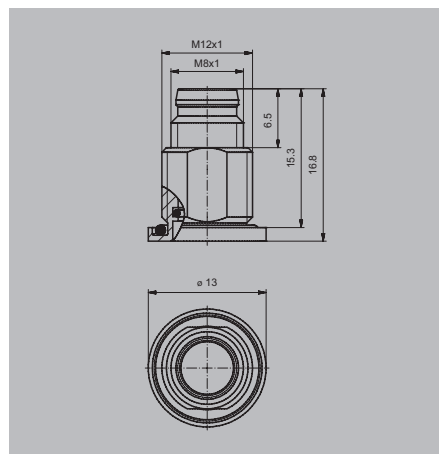
**Ordering data**

Type	Qty.	Order No.	Type	Qty.	Order No.
SAIHG-M8B-M12-6	25	2424480000	SAIHG-M8B-M12-10	25	2424500000

Note		
------	--	--

**Plug connector**

M12 height: 6 mm

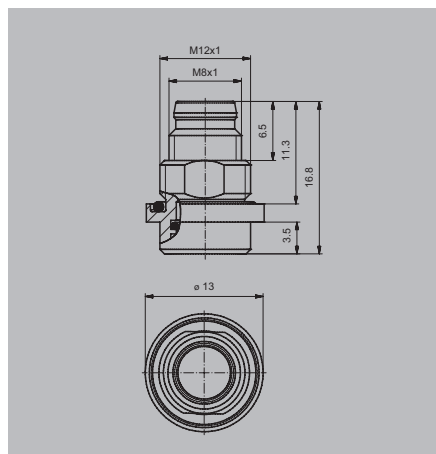


CuZn  
nickel-plated  
FPM, NBR

Type	Qty.	Order No.
SAIHG-M8S-M12-6	25	2424540000

**Plug connector**

M12 height: 10 mm

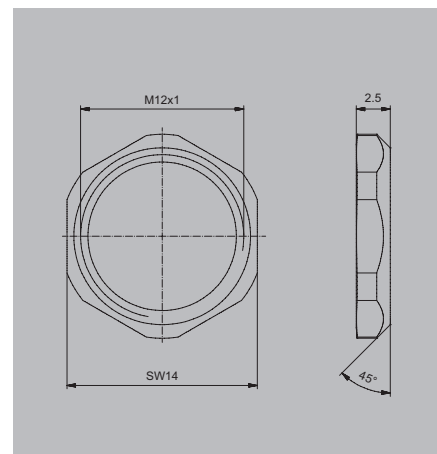


CuZn  
nickel-plated  
FPM, NBR

Type	Qty.	Order No.
SAIHG-M8S-M12-10	25	2424550000

**Hexagon nut**

M12 distance across flat: 14

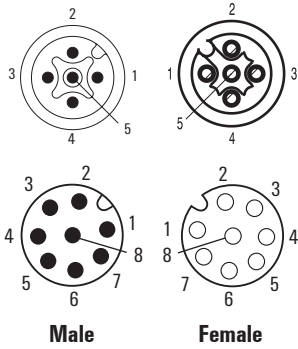


CuZn  
nickel-plated

Type	Qty.	Order No.
SAIE-KMM12X1-SW14	25	2424570000

Device connectors

**M12**  
Dip solder  
one-piece  
A-coded



**Ordering data**

Male, straight	
4-pole	SAIE-M12S-4-H5.5TL-M16
5-pole	SAIE-M12S-5-H5.5TL-M16
8-pole	SAIE-M12S-8-H5.5TL-M16
Female, straight	
4-pole	SAIE-M12B-4-H5.5TL-M16
5-pole	SAIE-M12B-5-H5.5TL-M16
8-pole	SAIE-M12B-8-H5.5TL-M16
Note	

**Technical data**

Rated voltage	250 V (4-pole) / 60 V (5-pole) / 30 V (8-pole)
Rated current	4 A (4- and 5-pole) / 2 A (8-pole)
Temperature range	-30...80 °C
Protection degree	IP67
Contact surface	Au (Gold)
Housing main material	CuZn, nickel-plated
Connection thread	M12
Tightening torque	M12: 0.8 Nm
Mounting thread	M16
Mounting torque range	1.2 Nm
Note	

**Back panel mounting, M16**

Board-to-board distance: 5.5 mm



**Back panel mounting, M16**

Board-to-board distance: 12 mm



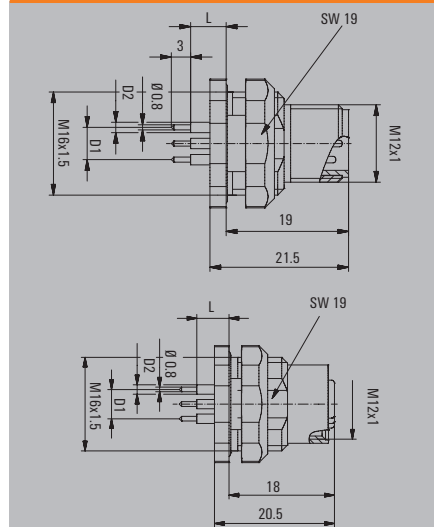
Type	Qty.	Order No.
SAIE-M12S-4-H5.5TL-M16	10	2421740000
SAIE-M12S-5-H5.5TL-M16	10	2421770000
SAIE-M12S-8-H5.5TL-M16	10	2421800000
SAIE-M12B-4-H5.5TL-M16	10	2421600000
SAIE-M12B-5-H5.5TL-M16	10	2421620000
SAIE-M12B-8-H5.5TL-M16	10	2421640000

Type	Qty.	Order No.
SAIE-M12S-4-H12TL-M16	10	2421830000
SAIE-M12S-5-H12TL-M16	10	2421860000
SAIE-M12S-8-H12TL-M16	10	2421890000
SAIE-M12B-4-H12TL-M16	10	2421660000
SAIE-M12B-5-H12TL-M16	10	2421680000
SAIE-M12B-8-H12TL-M16	10	2421710000

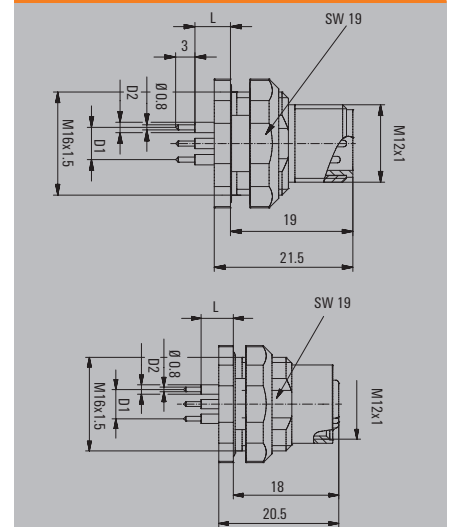
Rated voltage	250 V (4-pole) / 60 V (5-pole) / 30 V (8-pole)
Rated current	4 A (4- and 5-pole) / 2 A (8-pole)
Temperature range	-30...80 °C
Protection degree	IP67
Contact surface	Au (Gold)
Housing main material	CuZn, nickel-plated
Connection thread	M12
Tightening torque	M12: 0.8 Nm
Mounting thread	M16
Mounting torque range	1.2 Nm
Note	

Rated voltage	250 V (4-pole) / 60 V (5-pole) / 30 V (8-pole)
Rated current	4 A (4- and 5-pole) / 2 A (8-pole)
Temperature range	-30...80 °C
Protection degree	IP67
Contact surface	Au (Gold)
Housing main material	CuZn, nickel-plated
Connection thread	M12
Tightening torque	M12: 0.8 Nm
Mounting thread	M16
Mounting torque range	1.2 Nm
Note	

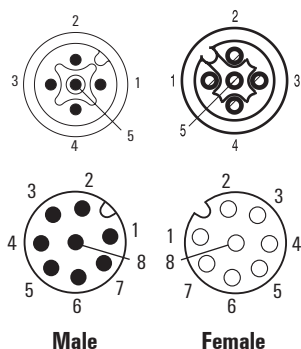
**Dimensioned drawing**



**Dimensioned drawing**



**M12**  
Dip solder  
one-piece  
A-coded



**Ordering data**

Male, straight	
4-pole	SAIE-M12S-4-H5.5TL-PG9
5-pole	SAIE-M12S-5-H5.5TL-PG9
8-pole	SAIE-M12S-8-H5.5TL-PG9
Female, straight	
4-pole	SAIE-M12B-4-H5.5TL-PG9
5-pole	SAIE-M12B-5-H5.5TL-PG9
8-pole	SAIE-M12B-8-H5.5TL-PG9
Note	

**Technical data**

Rated voltage	250 V (4-pole) / 60 V (5-pole) / 30 V (8-pole)
Rated current	4 A (4- and 5-pole) / 2 A (8-pole)
Temperature range	-30...80 °C
Protection degree	IP67
Contact surface	Au (Gold)
Housing main material	CuZn, nickel-plated
Connection thread	M12
Tightening torque	M12: 0.8 Nm
Mounting thread	PG9
Mounting torque range	1.2 Nm
Note	

**Back panel mounting, PG9**

Board-to-board distance: 5.5 mm



**Back panel mounting, PG9**

Board-to-board distance: 12 mm



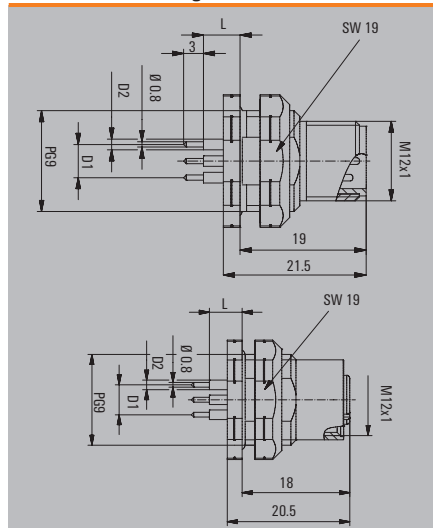
Type	Qty.	Order No.
SAIE-M12S-4-H5.5TL-PG9	10	2422100000
SAIE-M12S-5-H5.5TL-PG9	10	2422160000
SAIE-M12S-8-H5.5TL-PG9	10	2422220000
SAIE-M12B-4-H5.5TL-PG9	10	2421920000
SAIE-M12B-5-H5.5TL-PG9	10	2421980000
SAIE-M12B-8-H5.5TL-PG9	10	2422040000

Rated voltage	250 V (4-pole) / 60 V (5-pole) / 30 V (8-pole)
Rated current	4 A (4- and 5-pole) / 2 A (8-pole)
Temperature range	-30...80 °C
Protection degree	IP67
Contact surface	Au (Gold)
Housing main material	CuZn, nickel-plated
Connection thread	M12
Tightening torque	M12: 0.8 Nm
Mounting thread	PG9
Mounting torque range	1.2 Nm
Note	

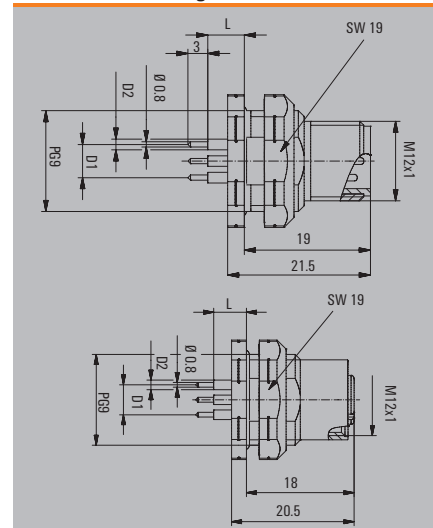
Type	Qty.	Order No.
SAIE-M12S-4-H12TL-PG9	10	2422130000
SAIE-M12S-5-H12TL-PG9	10	2422190000
SAIE-M12S-8-H12TL-PG9	10	2422250000
SAIE-M12B-4-H12TL-PG9	10	2421950000
SAIE-M12B-5-H12TL-PG9	10	2422010000
SAIE-M12B-8-H12TL-PG9	10	2422070000

Rated voltage	250 V (4-pole) / 60 V (5-pole) / 30 V (8-pole)
Rated current	4 A (4- and 5-pole) / 2 A (8-pole)
Temperature range	-30...80 °C
Protection degree	IP67
Contact surface	Au (Gold)
Housing main material	CuZn, nickel-plated
Connection thread	M12
Tightening torque	M12: 0.8 Nm
Mounting thread	PG9
Mounting torque range	1.2 Nm
Note	

**Dimensioned drawing**



**Dimensioned drawing**

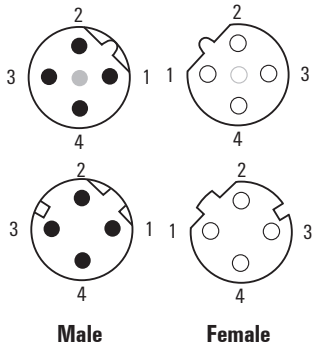


Device connectors

M12

Dip solder  
one-piece

B- and D-coded



Back panel mounting, M16

Board-to-board distance: 5.5 mm



Back panel mounting, M16

Board-to-board distance: 12 mm



Ordering data

Male, straight	B-coded, 4-pole
Female, straight	B-coded, 4-pole D-coded, 4-pole
<b>Note</b>	

Type	Qty.	Order No.
SAIE-M12S-4B-H5.5TL-M16	10	2422370000
SAIE-M12B-4B-H5.5TL-M16	10	2422310000
SAIE-M12B-4D-H5.5TL-M16	10	2422430000

Type	Qty.	Order No.
SAIE-M12S-4B-H12TL-M16	10	2422400000
SAIE-M12B-4B-H12TL-M16	10	2422340000
SAIE-M12B-4D-H12TL-M16	10	2422280000

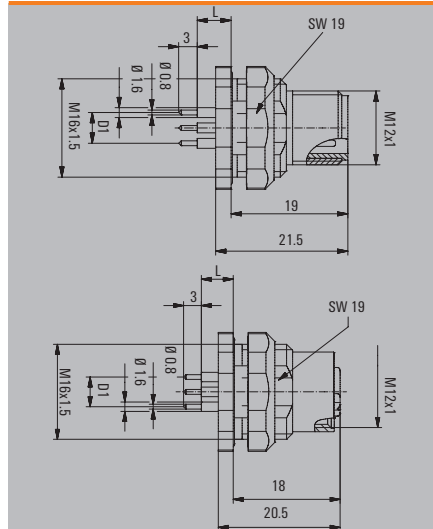
Technical data

Rated voltage
Rated current
Temperature range
Protection degree
Contact surface
Housing main material
Connection thread
Tightening torque
Mounting thread
Mounting torque range
<b>Note</b>

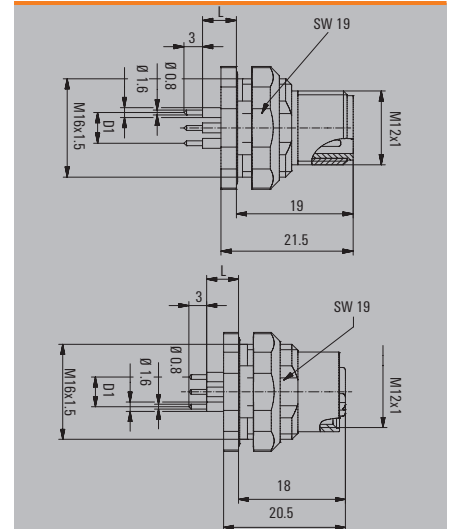
250 V
4 A
-30...80 °C
IP67
Au (Gold)
CuZn, nickel-plated
M12
M12: 0.8 Nm
M16
1.2 Nm

250 V
4 A
-30...80 °C
IP67
Au (Gold)
CuZn, nickel-plated
M12
M12: 0.8 Nm
M16
1.2 Nm

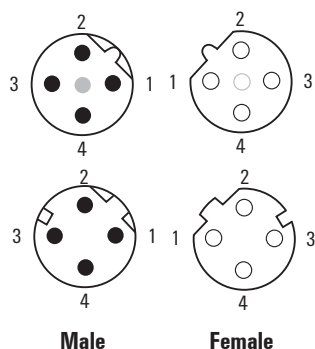
Dimensioned drawing



Dimensioned drawing



**M12**  
Dip solder  
one-piece  
B- and D-coded



**Ordering data**

<b>Male, straight</b>	B-coded, 4-pole
<b>Female, straight</b>	B-coded, 4-pole D-coded, 4-pole
<b>Note</b>	

**Technical data**

Rated voltage
Rated current
Temperature range
Protection degree
Contact surface
Housing main material
Connection thread
Tightening torque
Mounting thread
Mounting torque range
<b>Note</b>

**Back panel mounting, PG9**

Board-to-board distance: 5.5 mm



**Back panel mounting, PG9**

Board-to-board distance: 12 mm



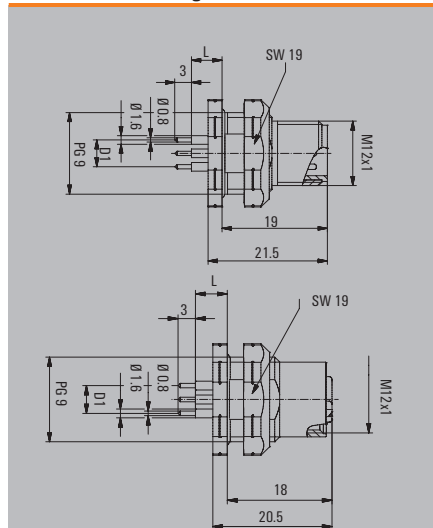
Type	Qty.	Order No.
SAIE-M12SB-4-H5.5TL-PG9	10	2421700000
SAIE-M12BB-4-H5.5TL-PG9	10	2424490000
SAIE-M12BD-4-H5.5TL-PG9	10	2424440000

Rated voltage
Rated current
Temperature range
Protection degree
Contact surface
Housing main material
Connection thread
Tightening torque
Mounting thread
Mounting torque range
<b>Note</b>

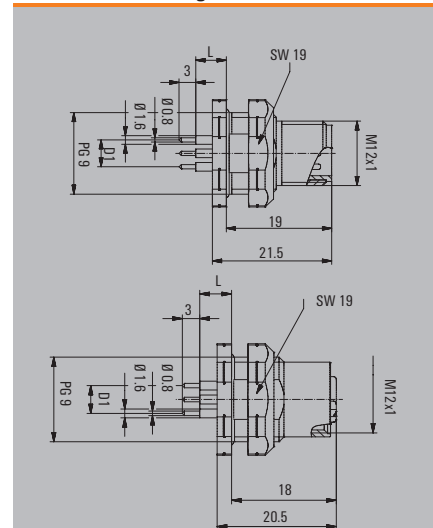
Type	Qty.	Order No.
SAIE-M12SB-4-H12TL-PG9	10	2421730000
SAIE-M12BB-4-H12TL-PG9	10	2424510000
SAIE-M12BD-4-H12TL-PG9	10	2424470000

Rated voltage
Rated current
Temperature range
Protection degree
Contact surface
Housing main material
Connection thread
Tightening torque
Mounting thread
Mounting torque range
<b>Note</b>

**Dimensioned drawing**

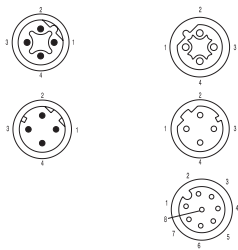


**Dimensioned drawing**



## Device connectors

**M12**  
**Dip solder**  
**one-piece**  
**shielded**  
**A-, B- and D-coded**



Male

female

### Ordering data

Male, straight	
	A-coded, 4-pole
	A-coded, 5-pole
	B-coded, 4-pole
	D-coded, 4-pole
Female, straight	
	A-coded, 4-pole
	A-coded, 5-pole
	A-coded, 8-pole
	B-coded, 4-pole
	D-coded, 4-pole
Note	

### Rear panel mounting, M16

Board-to-board distance: 6.75 mm



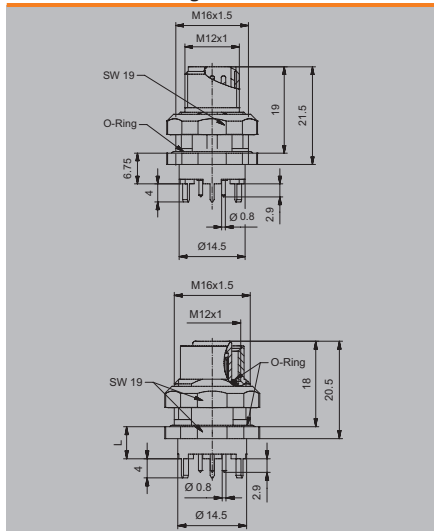
Type	Qty.	Order No.
SAIE-M12S-4AS-H6.75TL	10	2424040000
SAIE-M12S-5AS-H6.75TL	10	2424070000
SAIE-M12S-4BS-H6.75TL	10	2424120000
SAIE-M12S-4DS-H6.75TL	10	2424100000
SAIE-M12B-4S-H6.75TL	10	2421880000
SAIE-M12B-5S-H6.75TL	10	2421910000
SAIE-M12B-8S-H6.75TL	10	2421940000
SAIE-M12BB-4S-H6.75TL	10	2421970000
SAIE-M12BD-4S-H6.75TL	10	2422000000

### Technical data

Rated voltage	250 V (4-pole) / 60 V (5-pole) / 30 V (8-pole)
Rated current	4 A (5-pole) / 2 A (8-pole)
Temperature range	-30...80 °C
Protection degree	IP67
Contact surface	Au (Gold)
Housing main material	CuZn, nickel-plated
Connection thread	M12
Tightening torque	M12: 0.8 Nm
Mounting thread	M16
Mounting torque range	1.2 Nm
Note	

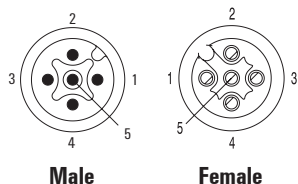
Rated voltage	250 V (4-pole) / 60 V (5-pole) / 30 V (8-pole)
Rated current	4 A (5-pole) / 2 A (8-pole)
Temperature range	-30...80 °C
Protection degree	IP67
Contact surface	Au (Gold)
Housing main material	CuZn, nickel-plated
Connection thread	M12
Tightening torque	M12: 0.8 Nm
Mounting thread	M16
Mounting torque range	1.2 Nm
Note	

### Dimensioned drawing





**M12**  
**Dip solder**  
**two-piece**  
**A-coded**



**Rear panel mounting**

Board-to-board distance: 5.5 mm



**Front mounting**

Board-to-board distance: 5.5 mm



**Ordering data**

Male, straight	
	4-pole
	5-pole
Female, straight	
	4-pole
	5-pole
Note	

Type	Qty.	Order No.
SAIE-M12S-4-H5.5TL	10	2423300000
SAIE-M12S-5-H5.5TL	10	2423360000
SAIE-M12B-4-H5.5TL	10	2423180000
SAIE-M12B-5-H5.5TL	10	2423240000

Type	Qty.	Order No.
SAIE-M12S-4-F5.5TL	10	2423060000
SAIE-M12S-5-F5.5TL	10	2423120000
SAIE-M12B-4-F5.5TL	10	2422940000
SAIE-M12B-5-F5.5TL	10	2423000000

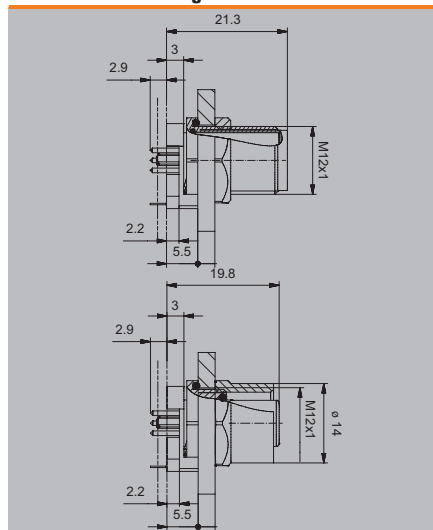
**Technical data**

Rated voltage	250 V (4-pole) / 60 V (5-pole)
Rated current	4 A
Temperature range	-30...80 °C
Protection degree	IP67
Contact surface	Au (Gold)
Housing main material	CuZn, nickel-plated
Connection thread	M12
Tightening torque	M12: 0.8 Nm
Mounting thread	M12
Mounting torque range	1.2 Nm
Note	

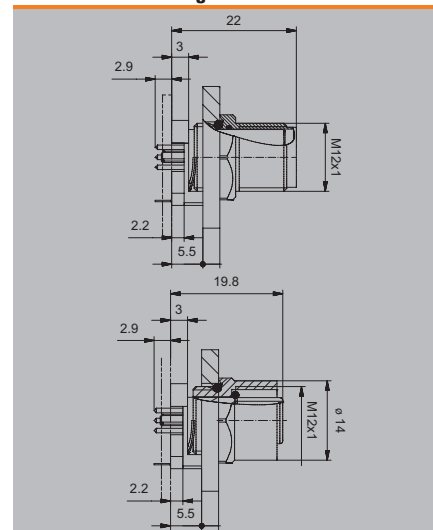
Rated voltage	250 V (4-pole) / 60 V (5-pole)
Rated current	4 A
Temperature range	-30...80 °C
Protection degree	IP67
Contact surface	Au (Gold)
Housing main material	CuZn, nickel-plated
Connection thread	M12
Tightening torque	M12: 0.8 Nm
Mounting thread	M12
Mounting torque range	1.2 Nm
Note	

Rated voltage	250 V (4-pole) / 60 V (5-pole)
Rated current	4 A
Temperature range	-30...80 °C
Protection degree	IP67
Contact surface	Au (Gold)
Housing main material	CuZn, nickel-plated
Connection thread	M12
Tightening torque	M12: 0.8 Nm
Mounting thread	M12
Mounting torque range	1.2 Nm
Note	

**Dimensioned drawing**

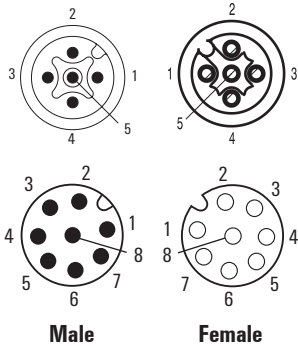


**Dimensioned drawing**



Device connectors

**M12**  
Dip solder  
two-piece  
A-coded



**Rear panel mounting**

Board-to-board distance: 10 mm



**Front mounting**

Board-to-board distance: 10 mm



**Ordering data**

Male, straight	
4-pole	SAIE-M12S-4-H10TL
5-pole	SAIE-M12S-5-H10TL
Female, straight	
4-pole	SAIE-M12B-4-H10TL
5-pole	SAIE-M12B-5-H10TL
8-pole	SAIE-M12B-8-H10TL
Note	

Type	Qty.	Order No.
SAIE-M12S-4-H10TL	10	2422820000
SAIE-M12S-5-H10TL	10	2422880000
SAIE-M12B-4-H10TL	10	2422700000
SAIE-M12B-5-H10TL	10	2422760000
SAIE-M12B-8-H10TL	10	2421820000
Note		

Type	Qty.	Order No.
SAIE-M12S-4-F10TL	10	2422580000
SAIE-M12S-5-F10TL	10	2422640000
SAIE-M12B-4-F10TL	10	2422460000
SAIE-M12B-5-F10TL	10	2422520000
SAIE-M12B-8-F10TL	10	2421760000
Note		

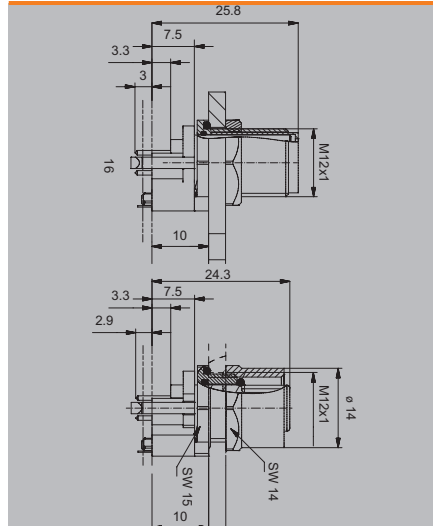
**Technical data**

Rated voltage	250 V (4-pole) / 60 V (5-pole)
Rated current	4 A
Temperature range	-30...80 °C
Protection degree	IP67
Contact surface	Au (Gold)
Housing main material	CuZn, nickel-plated
Connection thread	M12
Tightening torque	M12: 0.8 Nm
Mounting thread	M12
Mounting torque range	1.2 Nm
Note	

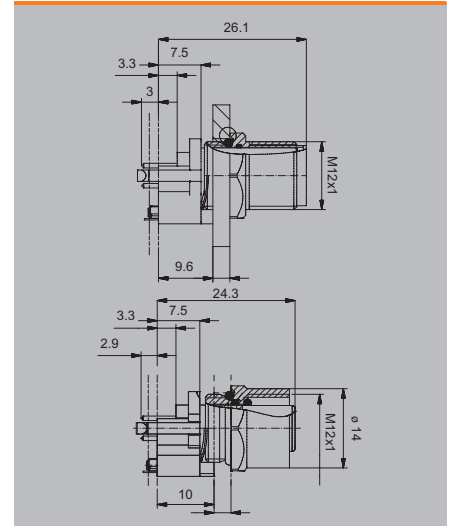
Rated voltage	250 V (4-pole) / 60 V (5-pole)
Rated current	4 A
Temperature range	-30...80 °C
Protection degree	IP67
Contact surface	Au (Gold)
Housing main material	CuZn, nickel-plated
Connection thread	M12
Tightening torque	M12: 0.8 Nm
Mounting thread	M12
Mounting torque range	1.2 Nm
Note	

Rated voltage	250 V (4-pole) / 60 V (5-pole)
Rated current	4 A
Temperature range	-30...80 °C
Protection degree	IP67
Contact surface	Au (Gold)
Housing main material	CuZn, nickel-plated
Connection thread	M12
Tightening torque	M12: 0.8 Nm
Mounting thread	M12
Mounting torque range	1.2 Nm
Note	

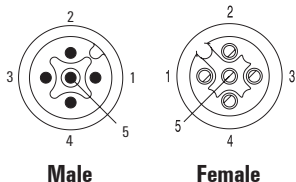
**Dimensioned drawing**



**Dimensioned drawing**



**M12**  
**Dip solder**  
**two-piece**  
**A-coded**



**Rear panel mounting**



**Front mounting**



**Ordering data**

Male, angled	
	4-pole
	5-pole
Female, angled	
	4-pole
	5-pole
Note	

Type	Qty.	Order No.
SAIEW-M12S-4-HTL	10	2423660000
SAIEW-M12S-5-HTL	10	2423720000
SAIEW-M12B-4-HTL	10	2423420000
SAIEW-M12B-5-HTL	10	2423480000

Type	Qty.	Order No.
SAIEW-M12S-4-FTL	10	2423780000
SAIEW-M12S-5-FTL	10	2423840000
SAIEW-M12B-4-FTL	10	2423540000
SAIEW-M12B-5-FTL	10	2423600000

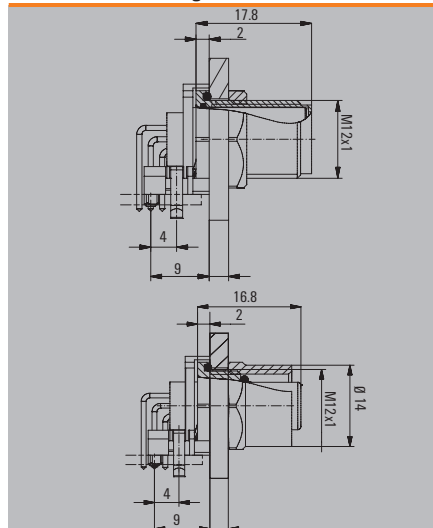
**Technical data**

Rated voltage	250 V (4-pole) / 60 V (5-pole)
Rated current	4 A
Temperature range	-30...80 °C
Protection degree	IP67
Contact surface	Au (Gold)
Housing main material	CuZn, nickel-plated
Connection thread	M12
Tightening torque	M12: 0.8 Nm
Mounting thread	M12
Mounting torque range	1.2 Nm
Note	

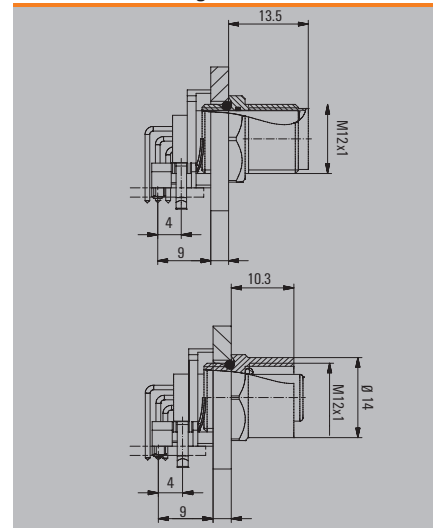
Rated voltage	250 V (4-pole) / 60 V (5-pole)
Rated current	4 A
Temperature range	-30...80 °C
Protection degree	IP67
Contact surface	Au (Gold)
Housing main material	CuZn, nickel-plated
Connection thread	M12
Tightening torque	M12: 0.8 Nm
Mounting thread	M12
Mounting torque range	1.2 Nm
Note	

Rated voltage	250 V (4-pole) / 60 V (5-pole)
Rated current	4 A
Temperature range	-30...80 °C
Protection degree	IP67
Contact surface	Au (Gold)
Housing main material	CuZn, nickel-plated
Connection thread	M12
Tightening torque	M12: 0.8 Nm
Mounting thread	M12
Mounting torque range	1.2 Nm
Note	

**Dimensioned drawing**

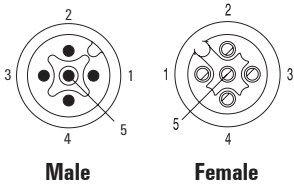


**Dimensioned drawing**



Device connectors

**M12**  
**Dip solder**  
**two-piece**  
**shielded**  
**A-coded**



**Rear panel mounting**

**Front mounting**



**Ordering data**

Male, angled	
	4-pole
	5-pole
Female, angled	
	4-pole
	5-pole
Note	

Type	Qty.	Order No.
SAIEW-M12S-4S-HTL	10	2423690000
SAIEW-M12S-5S-HTL	10	2423750000
SAIEW-M12B-4S-HTL	10	2423450000
SAIEW-M12B-5S-HTL	10	2423510000

Type	Qty.	Order No.
SAIEW-M12S-4S-FTL	10	2423810000
SAIEW-M12S-5S-FTL	10	2423870000
SAIEW-M12B-4S-FTL	10	2423570000
SAIEW-M12B-5S-FTL	10	2423630000

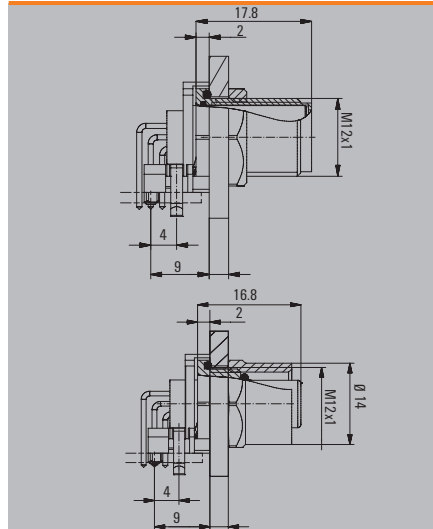
**Technical data**

Rated voltage	250 V (4-pole) / 60 V (5-pole)
Rated current	4 A
Temperature range	-30...80 °C
Protection degree	IP67
Contact surface	Au (Gold)
Housing main material	CuZn, nickel-plated
Connection thread	M12
Tightening torque	M12: 0.8 Nm
Mounting thread	M12
Mounting torque range	1.2 Nm
Note	

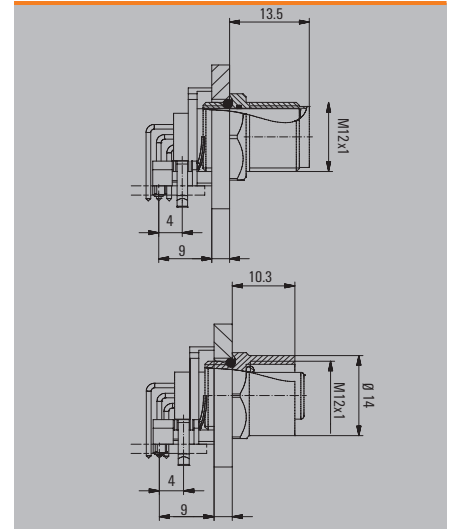
Rated voltage	250 V (4-pole) / 60 V (5-pole)
Rated current	4 A
Temperature range	-30...80 °C
Protection degree	IP67
Contact surface	Au (Gold)
Housing main material	CuZn, nickel-plated
Connection thread	M12
Tightening torque	M12: 0.8 Nm
Mounting thread	M12
Mounting torque range	1.2 Nm
Note	

Rated voltage	250 V (4-pole) / 60 V (5-pole)
Rated current	4 A
Temperature range	-30...80 °C
Protection degree	IP67
Contact surface	Au (Gold)
Housing main material	CuZn, nickel-plated
Connection thread	M12
Tightening torque	M12: 0.8 Nm
Mounting thread	M12
Mounting torque range	1.2 Nm
Note	

**Dimensioned drawing**



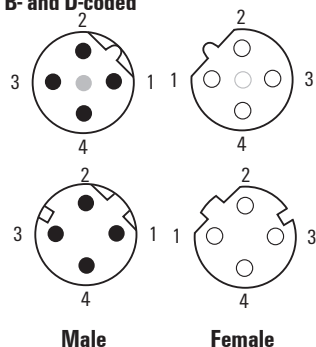
**Dimensioned drawing**



M12

Dip solder  
two-piece  
shielded

B- and D-coded



Rear panel mounting



Front mounting



Ordering data

<b>Male, angled</b>	B-coded, 4-pole
<b>Female, angled</b>	B-coded, 4-pole D-coded, 4-pole
<b>Note</b>	

Type	Qty.	Order No.
SAIEW-M12SB-4-HTL	10	2424350000
SAIEW-M12BB-4-HTL	10	2424290000
SAIEW-M12BD-4-HTL	10	2424410000

Type	Qty.	Order No.
SAIEW-M12SB-4-FTL	10	2424320000
SAIEW-M12BB-4-FTL	10	2424260000
SAIEW-M12BD-4-FTL	10	2424380000

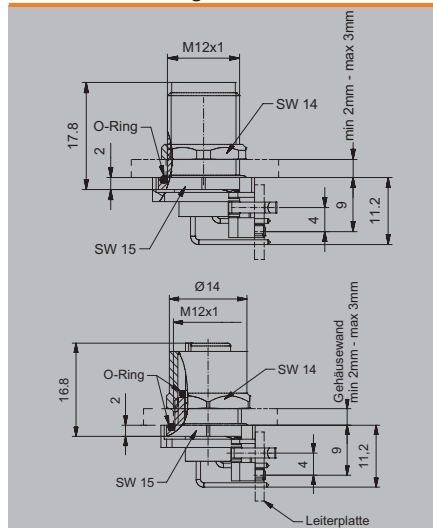
Technical data

Rated voltage
Rated current
Temperature range
Protection degree
Contact surface
Housing main material
Connection thread
Tightening torque
Mounting thread
Mounting torque range
<b>Note</b>

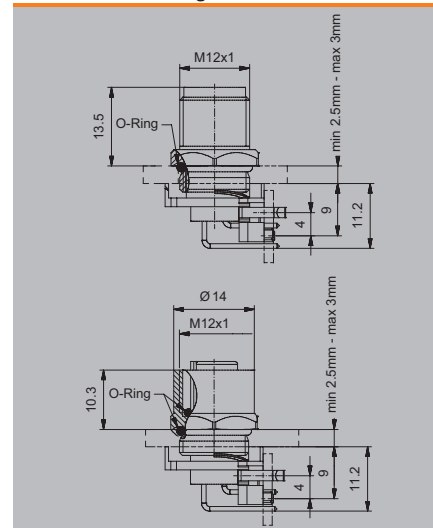
250 V
4 A
-30...80 °C
IP67
Au (Gold)
CuZn, nickel-plated
M12
M12: 0.8 Nm
M12
1.2 Nm

250 V
4 A
-30...80 °C
IP67
Au (Gold)
CuZn, nickel-plated
M12
M12: 0.8 Nm
M12
1.2 Nm

Dimensioned drawing

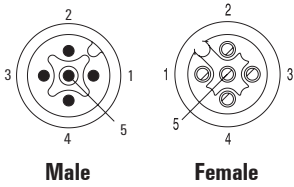


Dimensioned drawing



Device connectors

**M12**  
**Dip solder**  
**two-piece**  
**shielded**  
**A-coded**



**Rear panel mounting**

Board-to-board distance: 5.5 mm



**Front mounting**

Board-to-board distance: 5.5 mm



**Ordering data**

Male, straight	
	4-pole
	5-pole
Female, straight	
	4-pole
	5-pole
Note	

Type	Qty.	Order No.
SAIE-M12S-4S-H5.5TL	10	2423330000
SAIE-M12S-5S-H5.5TL	10	2423390000
SAIE-M12B-4S-H5.5TL	10	2423210000
SAIE-M12B-5S-H5.5TL	10	2423270000

Type	Qty.	Order No.
SAIE-M12S-4S-F5.5TL	10	2423090000
SAIE-M12S-5S-F5.5TL	10	2423150000
SAIE-M12B-4S-F5.5TL	10	2422970000
SAIE-M12B-5S-F5.5TL	10	2423030000

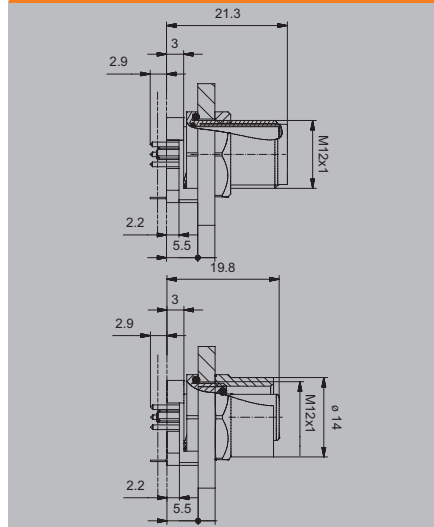
**Technical data**

Rated voltage	250 V (4-pole) / 60 V (5-pole)
Rated current	4 A
Temperature range	-30...80 °C
Protection degree	IP67
Contact surface	Au (Gold)
Housing main material	CuZn, nickel-plated
Connection thread	M12
Tightening torque	M12: 0.8 Nm
Mounting thread	M12
Mounting torque range	1.2 Nm
Note	

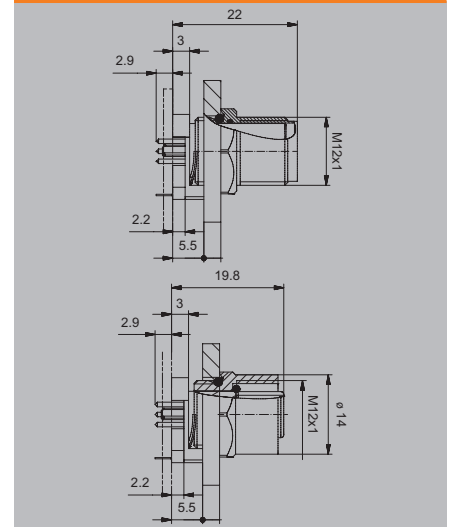
Rated voltage	250 V (4-pole) / 60 V (5-pole)
Rated current	4 A
Temperature range	-30...80 °C
Protection degree	IP67
Contact surface	Au (Gold)
Housing main material	CuZn, nickel-plated
Connection thread	M12
Tightening torque	M12: 0.8 Nm
Mounting thread	M12
Mounting torque range	1.2 Nm
Note	

Rated voltage	250 V (4-pole) / 60 V (5-pole)
Rated current	4 A
Temperature range	-30...80 °C
Protection degree	IP67
Contact surface	Au (Gold)
Housing main material	CuZn, nickel-plated
Connection thread	M12
Tightening torque	M12: 0.8 Nm
Mounting thread	M12
Mounting torque range	1.2 Nm
Note	

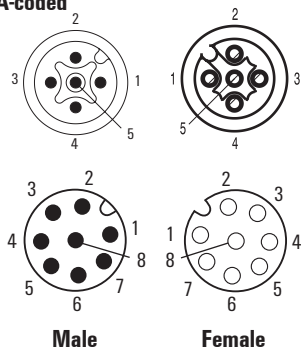
**Dimensioned drawing**



**Dimensioned drawing**



**M12**  
Dip solder  
two-piece  
shielded  
A-coded



**Ordering data**

Male, straight	
4-pole	SAIE-M12S-4S-H10TL
5-pole	SAIE-M12S-5S-H10TL
Female, straight	
4-pole	SAIE-M12B-4S-H10TL
5-pole	SAIE-M12B-5S-H10TL
8-pole	SAIE-M12B-8S-H10TL
Note	

**Technical data**

Rated voltage	250 V (4-pole) / 60 V (5-pole)
Rated current	4 A
Temperature range	-30...80 °C
Protection degree	IP67
Contact surface	Au (Gold)
Housing main material	CuZn, nickel-plated
Connection thread	M12
Tightening torque	M12: 0.8 Nm
Mounting thread	M12
Mounting torque range	1.2 Nm
Note	

**Rear panel mounting**

Board-to-board distance: 10 mm



**Front mounting**

Board-to-board distance: 10 mm



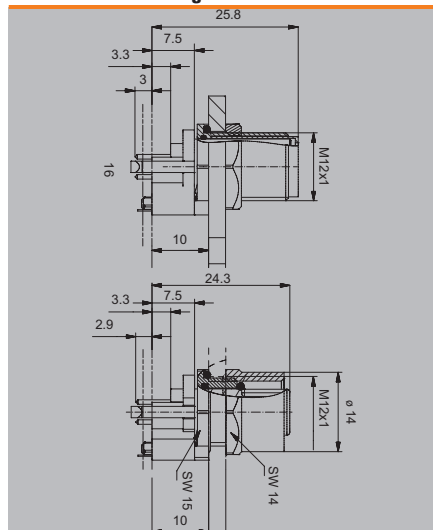
Type	Qty.	Order No.
SAIE-M12S-4S-H10TL	10	2422850000
SAIE-M12S-5S-H10TL	10	2422910000
SAIE-M12B-4S-H10TL	10	2422730000
SAIE-M12B-5S-H10TL	10	2422790000
SAIE-M12B-8S-H10TL	10	2421850000

Type	Qty.	Order No.
SAIE-M12S-4S-F10TL	10	2422610000
SAIE-M12S-5S-F10TL	10	2422670000
SAIE-M12B-4S-F10TL	10	2422490000
SAIE-M12B-5S-F10TL	10	2422550000
SAIE-M12B-8S-F10TL	10	2421790000

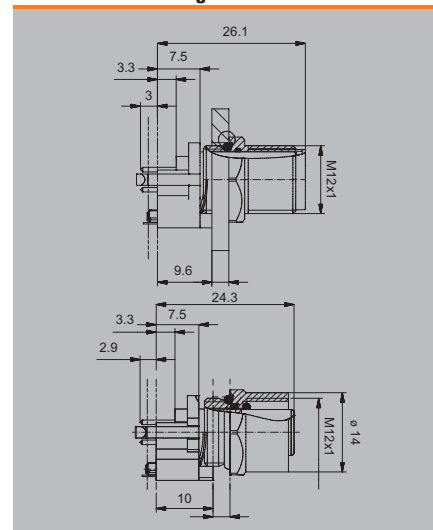
Rated voltage	250 V (4-pole) / 60 V (5-pole)
Rated current	4 A
Temperature range	-30...80 °C
Protection degree	IP67
Contact surface	Au (Gold)
Housing main material	CuZn, nickel-plated
Connection thread	M12
Tightening torque	M12: 0.8 Nm
Mounting thread	M12
Mounting torque range	1.2 Nm
Note	

Rated voltage	250 V (4-pole) / 60 V (5-pole)
Rated current	4 A
Temperature range	-30...80 °C
Protection degree	IP67
Contact surface	Au (Gold)
Housing main material	CuZn, nickel-plated
Connection thread	M12
Tightening torque	M12: 0.8 Nm
Mounting thread	M12
Mounting torque range	1.2 Nm
Note	

**Dimensioned drawing**



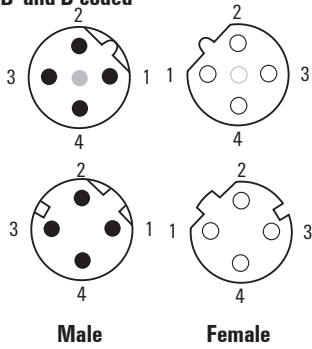
**Dimensioned drawing**



Device connectors

**M12**  
Dip solder  
two-piece  
shielded

B- and D-coded



Ordering data

Male, straight	B-coded, 4-pole
Female, straight	B-coded, 4-pole D-coded, 4-pole
<b>Note</b>	

Technical data

Rated voltage
Rated current
Temperature range
Protection degree
Contact surface
Housing main material
Connection thread
Tightening torque
Mounting thread
Mounting torque range
<b>Note</b>

Rear panel mounting

Board-to-board distance: 5.5 mm



Type	Qty.	Order No.
SAIE-M12SB-4-H5.5TL	10	2424110000
SAIE-M12BB-4-H5.5TL	10	2424050000
SAIE-M12BD-4-H5.5TL	10	2424230000

Rated voltage
Rated current
Temperature range
Protection degree
Contact surface
Housing main material
Connection thread
Tightening torque
Mounting thread
Mounting torque range
<b>Note</b>

Rear panel mounting

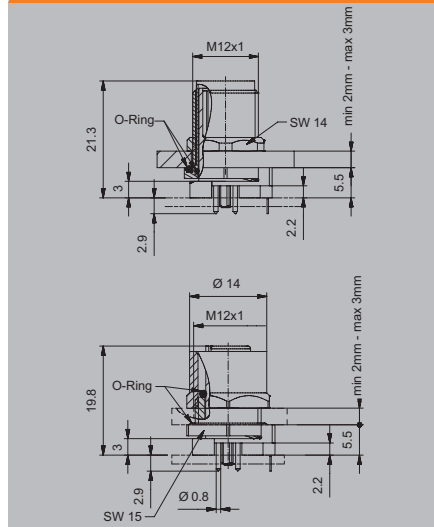
Board-to-board distance: 10 mm



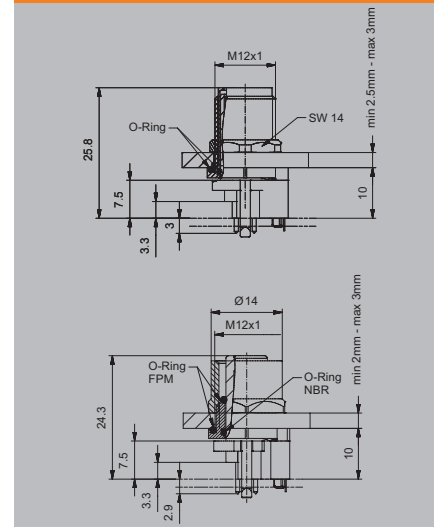
Type	Qty.	Order No.
SAIE-M12SB-4-H10TL	10	2423990000
SAIE-M12BB-4-H10TL	10	2423930000
SAIE-M12BD-4-H10TL	10	2424170000

Rated voltage
Rated current
Temperature range
Protection degree
Contact surface
Housing main material
Connection thread
Tightening torque
Mounting thread
Mounting torque range
<b>Note</b>

Dimensioned drawing



Dimensioned drawing

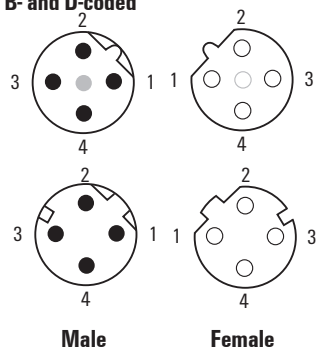




**M12**

**Dip solder  
two-piece  
shielded**

**B- and D-coded**



**Ordering data**

<b>Male, straight</b>	B-coded, 4-pole
<b>Female, straight</b>	B-coded, 4-pole D-coded, 4-pole
<b>Note</b>	

**Technical data**

Rated voltage
Rated current
Temperature range
Protection degree
Contact surface
Housing main material
Connection thread
Tightening torque
Mounting thread
Mounting torque range
<b>Note</b>

**Front mounting**

Board-to-board distance: 5.5 mm



**Front mounting**

Board-to-board distance: 10 mm



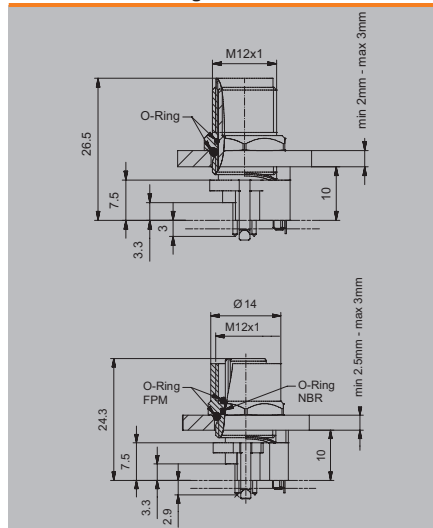
Type	Qty.	Order No.
SAIE-M12SB-4-F5.5TL	10	2424080000
SAIE-M12BB-4-F5.5TL	10	2424020000
SAIE-M12BD-4-F5.5TL	10	2424200000

Type	Qty.	Order No.
SAIE-M12SB-4-F10TL	10	2423960000
SAIE-M12BB-4-F10TL	10	2423900000
SAIE-M12BD-4-F10TL	10	2424140000

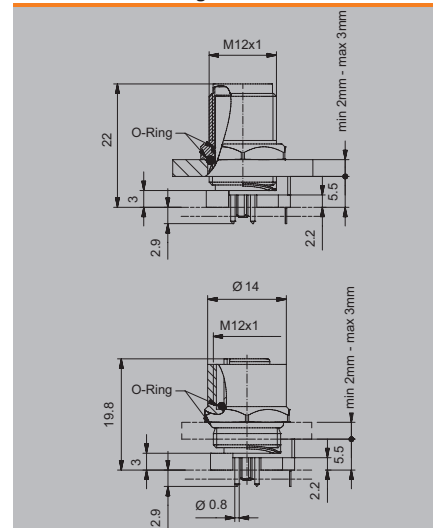
Rated voltage	250 V
Rated current	4 A
Temperature range	-30...80 °C
Protection degree	IP67
Contact surface	Au (Gold)
Housing main material	CuZn, nickel-plated
Connection thread	M12
Tightening torque	M12: 0.8 Nm
Mounting thread	M12
Mounting torque range	1.2 Nm
<b>Note</b>	

Rated voltage	250 V
Rated current	4 A
Temperature range	-30...80 °C
Protection degree	IP67
Contact surface	Au (Gold)
Housing main material	CuZn, nickel-plated
Connection thread	M12
Tightening torque	M12: 0.8 Nm
Mounting thread	M12
Mounting torque range	1.2 Nm
<b>Note</b>	

**Dimensioned drawing**

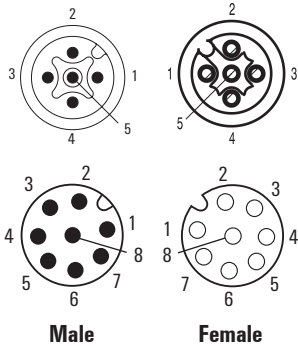


**Dimensioned drawing**



Device connectors

**M12**  
**SMT**  
**two-piece**  
**A-coded**



**Mounting thread, M14**

Board-to-board distance: 9 mm



**Mounting thread, M14**

Board-to-board distance: 13 mm



**Ordering data**

Male, straight	
4-pole	SAIE-M12S-4-9/14SMT
5-pole	SAIE-M12S-5-9/14SMT
8-pole	SAIE-M12S-8-9/14SMT
Female, straight	
4-pole	SAIE-M12B-4-9SMT
5-pole	SAIE-M12B-5-9SMT
8-pole	SAIE-M12B-8-9/14SMT
Note	

Type	Qty.	Order No.
SAIE-M12S-4-9/14SMT	25	2423200000
SAIE-M12S-5-9/14SMT	25	2423230000
SAIE-M12S-8-9/14SMT	25	2423260000
SAIE-M12B-4-9SMT	25	2422300000
SAIE-M12B-5-9SMT	25	2422330000
SAIE-M12B-8-9/14SMT	25	2423440000
Note		

Type	Qty.	Order No.
SAIE-M12B-4-13/14SMT	25	2423020000
SAIE-M12B-5-13/14SMT	25	2423050000
SAIE-M12B-8-13/14SMT	25	2423080000
Note		

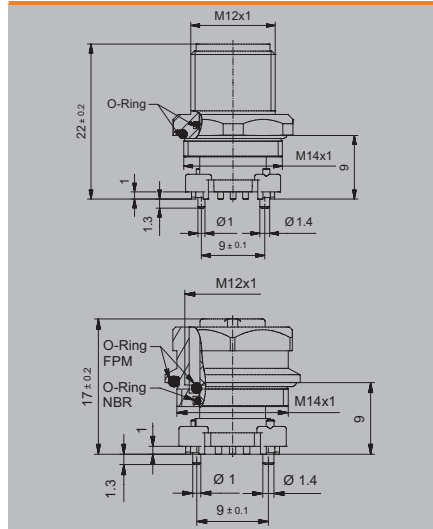
**Technical data**

Rated voltage	250 V (4-pole) / 60 V (5-pole) / 30 V (8-pole)
Rated current	4 A (4- and 5-pole) / 2 A (8-pole)
Temperature range	-30...80 °C
Protection degree	IP67
Contact surface	Au (Gold)
Housing main material	CuZn, nickel-plated
Connection thread	M12
Tightening torque	M12: 0.8 Nm
Mounting thread	M14
Mounting torque range	1.2 Nm
Note	

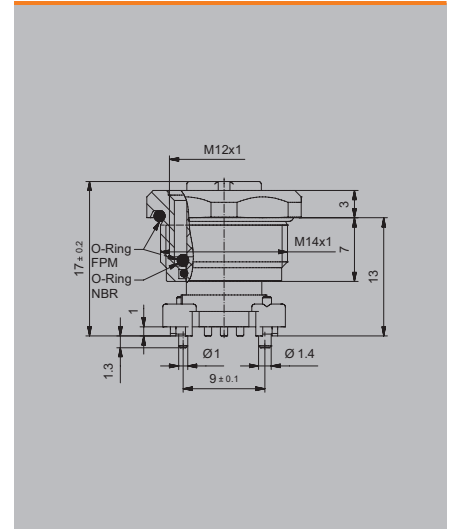
Rated voltage	250 V (4-pole) / 60 V (5-pole) / 30 V (8-pole)
Rated current	4 A (4- and 5-pole) / 2 A (8-pole)
Temperature range	-30...80 °C
Protection degree	IP67
Contact surface	Au (Gold)
Housing main material	CuZn, nickel-plated
Connection thread	M12
Tightening torque	M12: 0.8 Nm
Mounting thread	M14
Mounting torque range	1.2 Nm
Note	

Rated voltage	250 V (4-pole) / 60 V (5-pole) / 30 V (8-pole)
Rated current	4 A (4- and 5-pole) / 2 A (8-pole)
Temperature range	-30...80 °C
Protection degree	IP67
Contact surface	Au (Gold)
Housing main material	CuZn, nickel-plated
Connection thread	M12
Tightening torque	M12: 0.8 Nm
Mounting thread	M14
Mounting torque range	1.2 Nm
Note	

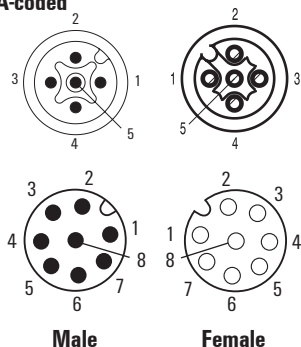
**Dimensioned drawing**



**Dimensioned drawing**



**M12  
SMT  
two-piece  
shielded  
A-coded**



**Ordering data**

Male, straight	
4-pole	SAIE-M12S-4S-9/14SMT
5-pole	SAIE-M12S-5S-9/14SMT
8-pole	SAIE-M12S-8S-9/14SMT
Female, straight	
4-pole	SAIE-M12B-4S-9SMT
5-pole	SAIE-M12B-5S-9SMT
8-pole	SAIE-M12B-8S-9/14SMT
Note	

**Technical data**

Rated voltage	250 V (4-pole) / 60 V (5-pole) / 30 V (8-pole)
Rated current	4 A (4- and 5-pole) / 2 A (8-pole)
Temperature range	-30...80 °C
Protection degree	IP67
Contact surface	Au (Gold)
Housing main material	CuZn, nickel-plated
Connection thread	M12
Tightening torque	M12: 0.8 Nm
Mounting thread	M14
Mounting torque range	1.2 Nm
Note	

**Mounting thread, M14**

Board-to-board distance: 9 mm



**Mounting thread, M14**

Board-to-board distance: 13 mm



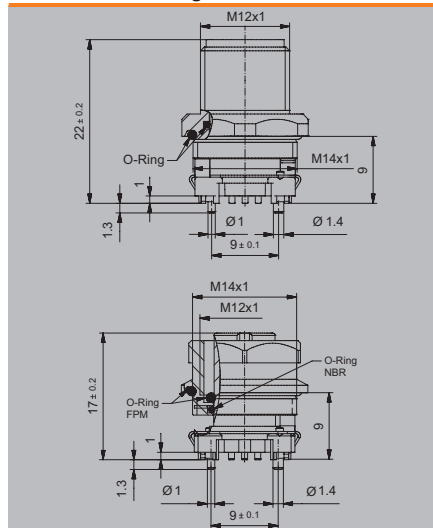
Type	Qty.	Order No.
SAIE-M12S-4S-9/14SMT	25	2423290000
SAIE-M12S-5S-9/14SMT	25	2423320000
SAIE-M12S-8S-9/14SMT	25	2423350000
SAIE-M12B-4S-9SMT	25	2422360000
SAIE-M12B-5S-9SMT	25	2422390000
SAIE-M12B-8S-9/14SMT	25	2423470000
Note		

Rated voltage	250 V (4-pole) / 60 V (5-pole) / 30 V (8-pole)
Rated current	4 A (4- and 5-pole) / 2 A (8-pole)
Temperature range	-30...80 °C
Protection degree	IP67
Contact surface	Au (Gold)
Housing main material	CuZn, nickel-plated
Connection thread	M12
Tightening torque	M12: 0.8 Nm
Mounting thread	M14
Mounting torque range	1.2 Nm
Note	

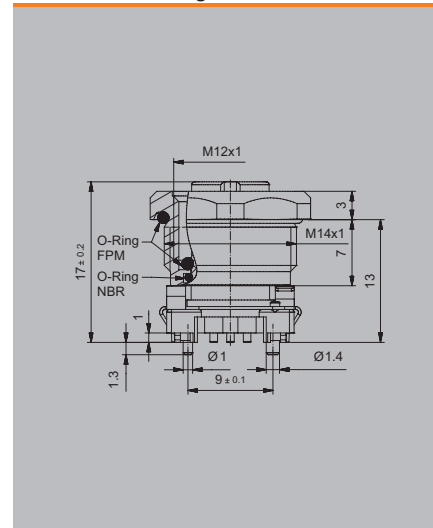
Type	Qty.	Order No.
SAIE-M12B-4S-13/14SMT	25	2423110000
SAIE-M12B-5S-13/14SMT	25	2423140000
SAIE-M12B-8S-13/14SMT	25	2423170000
Note		

Rated voltage	250 V (4-pole) / 60 V (5-pole) / 30 V (8-pole)
Rated current	4 A (4- and 5-pole) / 2 A (8-pole)
Temperature range	-30...80 °C
Protection degree	IP67
Contact surface	Au (Gold)
Housing main material	CuZn, nickel-plated
Connection thread	M12
Tightening torque	M12: 0.8 Nm
Mounting thread	M14
Mounting torque range	1.2 Nm
Note	

**Dimensioned drawing**



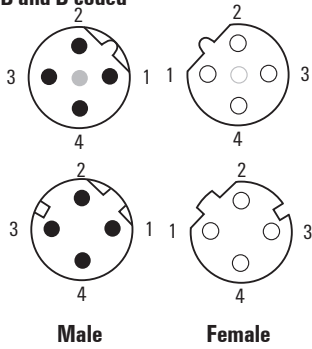
**Dimensioned drawing**



Device connectors

**M12  
SMT  
two-piece  
shielded**

B and D coded



**Mounting thread, M14**

Board-to-board distance: 9 mm



**Mounting thread, M14**

Board-to-board distance: 13 mm



**Ordering data**

Male, straight	
	B-coded, 4-pole
	B-coded, 5-pole
Female, straight	
	B-coded, 4-pole
	B-coded, 5-pole
	D-coded, 8-pole
Note	

Type	Qty.	Order No.
SAIE-M12SB-4S-9SMT	25	2423800000
SAIE-M12SB-5S-9SMT	25	2423830000
SAIE-M12BB-4S-9/14SMT	25	2423680000
SAIE-M12BB-5S-9/14SMT	25	2423710000
SAIE-M12BD-4S-9/14SMT	25	2423860000

Type	Qty.	Order No.
SAIE-M12BB-4S-13/14SMT	25	2423740000
SAIE-M12BB-5S-13/14SMT	25	2423770000
SAIE-M12BD-4S-13/14SMT	25	2423890000

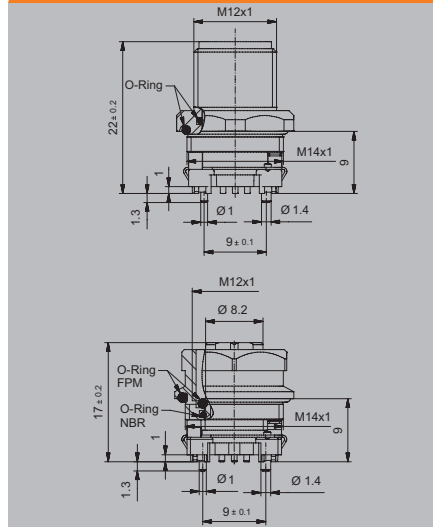
**Technical data**

Rated voltage	250 V (4-pole) / 60 V (5-pole)
Rated current	4 A
Temperature range	-30...80 °C
Protection degree	IP67
Contact surface	Au (Gold)
Housing main material	CuZn, nickel-plated
Connection thread	M12
Tightening torque	M12: 0.8 Nm
Mounting thread	M14
Mounting torque range	1.2 Nm
Note	

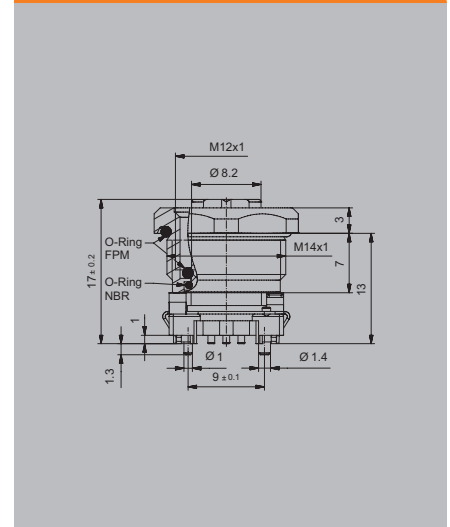
Rated voltage	250 V (4-pole) / 60 V (5-pole)
Rated current	4 A
Temperature range	-30...80 °C
Protection degree	IP67
Contact surface	Au (Gold)
Housing main material	CuZn, nickel-plated
Connection thread	M12
Tightening torque	M12: 0.8 Nm
Mounting thread	M14
Mounting torque range	1.2 Nm
Note	

Rated voltage	250 V (4-pole) / 60 V (5-pole)
Rated current	4 A
Temperature range	-30...80 °C
Protection degree	IP67
Contact surface	Au (Gold)
Housing main material	CuZn, nickel-plated
Connection thread	M12
Tightening torque	M12: 0.8 Nm
Mounting thread	M14
Mounting torque range	1.2 Nm
Note	

**Dimensioned drawing**

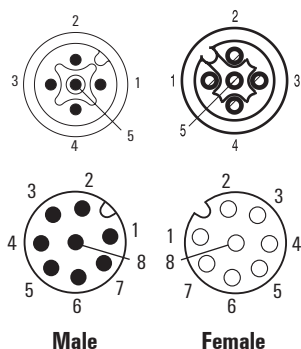


**Dimensioned drawing**





M12  
SMT  
DOM  
A-coded



Unshielded



Shielded



Ordering data

Male, straight	
4-pole	SAID-M12S-4-9SMT
5-pole	SAID-M12S-5-9SMT
8-pole	SAID-M12S-8-9SMT
Female, straight	
4-pole	SAID-M12B-4-9SMT
5-pole	SAID-M12B-5-9SMT
8-pole	SAID-M12B-8-9SMT
Note	

Type	Qty.	Order No.
SAID-M12S-4-9SMT	25	2422540000
SAID-M12S-5-9SMT	25	2422600000
SAID-M12S-8-9SMT	25	2422420000
SAID-M12B-4-9SMT	25	2422060000
SAID-M12B-5-9SMT	25	2422120000
SAID-M12B-8-9SMT	25	2422480000

Type	Qty.	Order No.
SAID-M12S-4S-9SMT	25	2423500000
SAID-M12S-5S-9SMT	25	2423560000
SAID-M12S-8S-9SMT	25	2423620000
SAID-M12B-4S-9SMT	25	2422180000
SAID-M12B-5S-9SMT	25	2422240000
SAID-M12B-8S-9SMT	25	2423380000

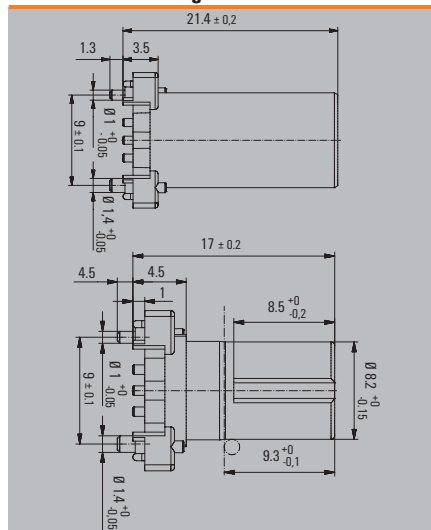
Technical data

Rated voltage	250 V (4-pole) / 60 V (5-pole) / 30 V (8-pole)
Rated current	4 A (4- and 5-pole) / 2 A (8-pole)
Temperature range	-25...95 °C
Protection degree	IP67
Contact surface	Au (Gold)
Housing main material	LCP
Connection thread	M12
Tightening torque	M12: 0.8 Nm
Mounting thread	
Mounting torque range	
Note	

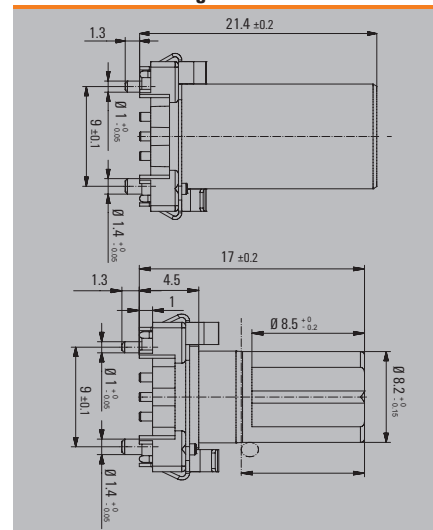
Rated voltage	250 V (4-pole) / 60 V (5-pole) / 30 V (8-pole)
Rated current	4 A (4- and 5-pole) / 2 A (8-pole)
Temperature range	-25...95 °C
Protection degree	IP67
Contact surface	Au (Gold)
Housing main material	LCP
Connection thread	M12
Tightening torque	M12: 0.8 Nm
Mounting thread	
Mounting torque range	
Note	

Rated voltage	250 V (4-pole) / 60 V (5-pole) / 30 V (8-pole)
Rated current	4 A (4- and 5-pole) / 2 A (8-pole)
Temperature range	-25...95 °C
Protection degree	IP67
Contact surface	Au (Gold)
Housing main material	LCP
Connection thread	M12
Tightening torque	M12: 0.8 Nm
Mounting thread	
Mounting torque range	
Note	

Dimensioned drawing



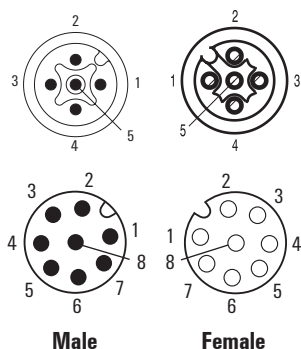
Dimensioned drawing



Device connectors



M12  
SMT  
DOM  
A-coded



Unshielded

Tape-on-Reel



Shielded

Tape-on-Reel



Ordering data

Male, straight	
4-pole	SAID-M12S-4-9SMT-TR
5-pole	SAID-M12S-5-9SMT-TR
8-pole	SAID-M12S-8-9SMT-TR
Female, straight	
4-pole	SAID-M12B-4-9SMT-TR
5-pole	SAID-M12B-5-9SMT-TR
8-pole	SAID-M12B-8-9SMT-TR
Note	

Type	Qty.	Order No.
SAID-M12S-4-9SMT-TR	75	2422570000
SAID-M12S-5-9SMT-TR	75	2422630000
SAID-M12S-8-9SMT-TR	75	2422450000
SAID-M12B-4-9SMT-TR	75	2422090000
SAID-M12B-5-9SMT-TR	75	2422150000
SAID-M12B-8-9SMT-TR	75	2422510000

Type	Qty.	Order No.
SAID-M12S-4S-9SMT-TR	75	2423530000
SAID-M12S-5S-9SMT-TR	75	2423590000
SAID-M12S-8S-9SMT-TR	75	2423650000
SAID-M12B-4S-9SMT-TR	75	2422210000
SAID-M12B-5S-9SMT-TR	75	2422270000
SAID-M12B-8S-9SMT-TR	75	2423410000

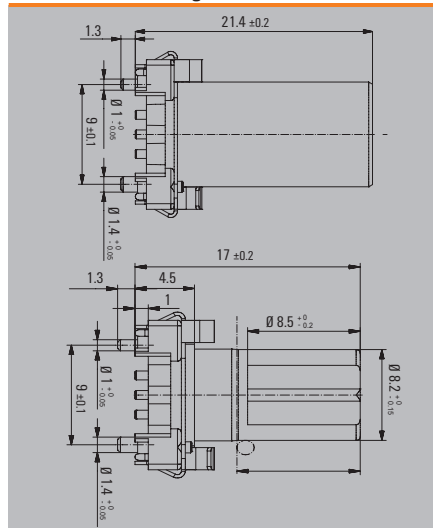
Technical data

Rated voltage	250 V (4-pole) / 60 V (5-pole) / 30 V (8-pole)
Rated current	4 A (4- and 5-pole) / 2 A (8-pole)
Temperature range	-25...95 °C
Protection degree	IP67
Contact surface	Au (Gold)
Housing main material	LCP
Connection thread	M12
Tightening torque	M12: 0.8 Nm
Mounting thread	
Mounting torque range	
Note	

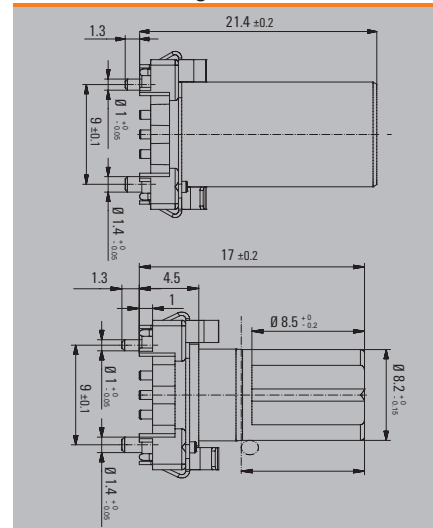
Rated voltage	250 V (4-pole) / 60 V (5-pole) / 30 V (8-pole)
Rated current	4 A (4- and 5-pole) / 2 A (8-pole)
Temperature range	-25...95 °C
Protection degree	IP67
Contact surface	Au (Gold)
Housing main material	LCP
Connection thread	M12
Tightening torque	M12: 0.8 Nm
Mounting thread	
Mounting torque range	
Note	

Rated voltage	250 V (4-pole) / 60 V (5-pole) / 30 V (8-pole)
Rated current	4 A (4- and 5-pole) / 2 A (8-pole)
Temperature range	-25...95 °C
Protection degree	IP67
Contact surface	Au (Gold)
Housing main material	LCP
Connection thread	M12
Tightening torque	M12: 0.8 Nm
Mounting thread	
Mounting torque range	
Note	

Dimensioned drawing



Dimensioned drawing

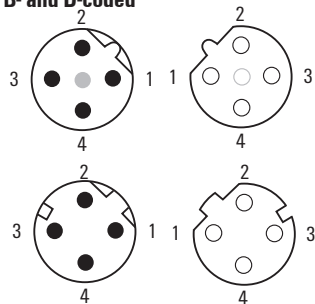




M12  
SMT  
DOM

shielded

B- and D-coded



Male

Female

Shielded



Ordering data

Male, straight	
	B-coded, 4-pole
	B-coded, 5-pole
Female, straight	
	B-coded, 4-pole
	D-coded, 4-pole
	B-coded, 5-pole
Note	

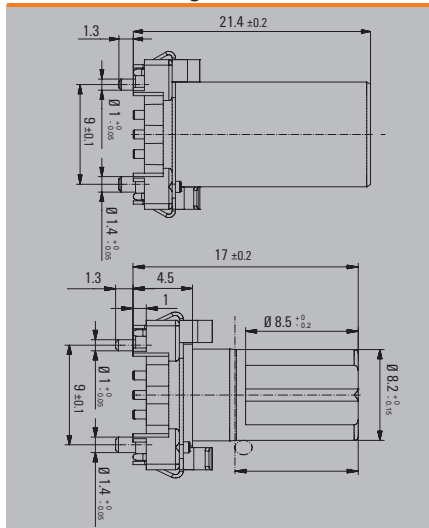
Type	Qty.	Order No.
SAID-M12SB-4S-9SMT	25	2422720000
SAID-M12SB-5S-9SMT	25	2422780000
SAID-M12BB-4S-9SMT	25	2422840000
SAID-M12BD-4S-9SMT	25	2422960000
SAID-M12BB-5S-9SMT	25	2422900000

Technical data

Rated voltage	250 V (4-pole) / 60 V (5-pole)
Rated current	4 A
Temperature range	-25...95 °C
Protection degree	IP67
Contact surface	Au (Gold)
Housing main material	LCP
Connection thread	M12
Tightening torque	M12: 0.8 Nm
Mounting thread	
Mounting torque range	
Note	

Rated voltage	250 V (4-pole) / 60 V (5-pole)
Rated current	4 A
Temperature range	-25...95 °C
Protection degree	IP67
Contact surface	Au (Gold)
Housing main material	LCP
Connection thread	M12
Tightening torque	M12: 0.8 Nm
Mounting thread	
Mounting torque range	
Note	

Dimensioned drawing

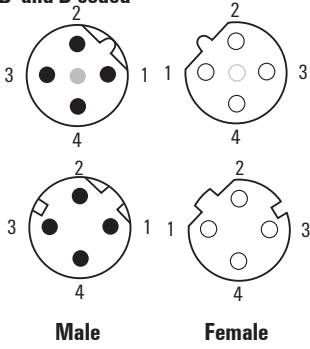


Device connectors



**M12**  
**SMT**  
**DOM**  
**shielded**

**B- and D-coded**



**Tape-on-reel**



**Ordering data**

Male, straight	
	B-coded, 4-pole
	B-coded, 5-pole
Female, straight	
	B-coded, 4-pole
	D-coded, 4-pole
	B-coded, 5-pole
Note	

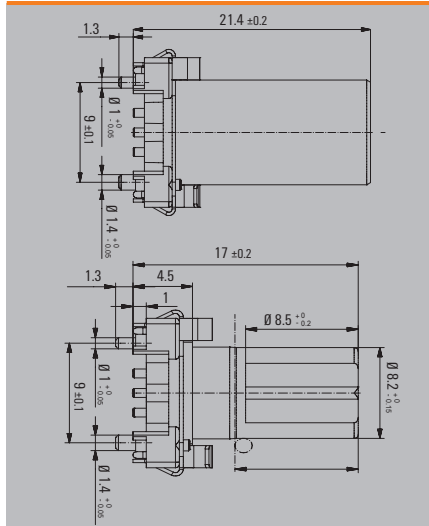
Type	Qty.	Order No.
SAID-M12SB-4S-9SMT-TR	75	2422750000
SAID-M12SB-5S-9SMT-TR	75	2422810000
SAID-M12BB-4S-9SMT-TR	75	2422870000
SAID-M12BD-4S-9SMT-TR	75	2422990000
SAID-M12BB-5S-9SMT-TR	75	2422930000

**Technical data**

Rated voltage	250 V (4-pole) / 60 V (5-pole)
Rated current	4 A
Temperature range	-25...95 °C
Protection degree	IP67
Contact surface	Au (Gold)
Housing main material	LCP
Connection thread	M12
Tightening torque	M12: 0.8 Nm
Mounting thread	
Mounting torque range	
Note	

Rated voltage	250 V (4-pole) / 60 V (5-pole)
Rated current	4 A
Temperature range	-25...95 °C
Protection degree	IP67
Contact surface	Au (Gold)
Housing main material	LCP
Connection thread	M12
Tightening torque	M12: 0.8 Nm
Mounting thread	
Mounting torque range	
Note	

**Dimensioned drawing**





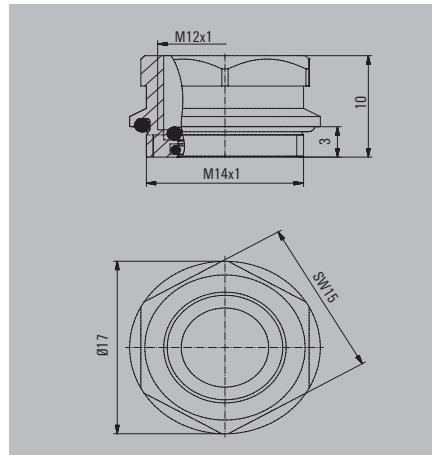


Device connectors

**M12**  
**Flange-mounted housing**  
**Hexagon nut**

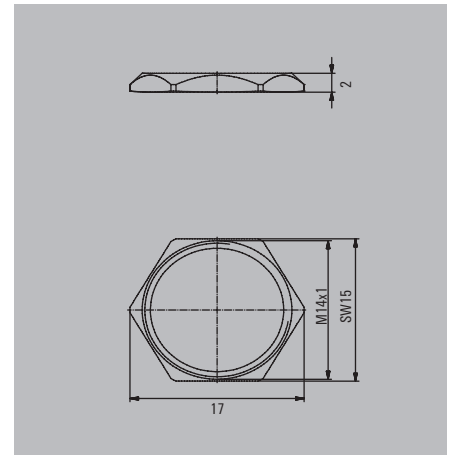
**Male**

M14 mounting thread, installation height 9 mm



**Hexagon nut**

M14 thread, spanner size 15



**Technical data**

Housing main material	CuZn
Housing surface	nickel-plated
Seal material	FKM

Housing main material	CuZn
Housing surface	nickel-plated
Seal material	FKM

Housing main material	CuZn
Housing surface	nickel-plated
Seal material	FKM

Note	
------	--

Note	
------	--

Note	
------	--

**Ordering data**

--	--	--

Type	Qty.	Order No.
SAIFG-M14X1-S-1	25	2423980000

Type	Qty.	Order No.
SAIE-KMM14X1-SW15	25	2424010000

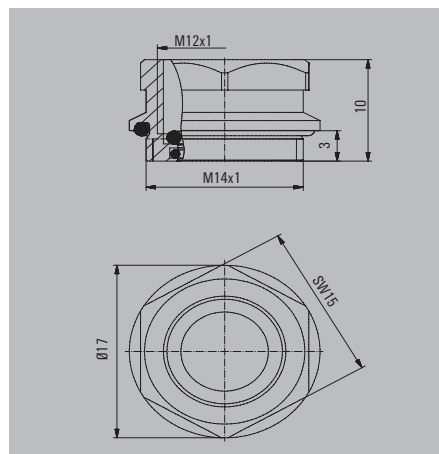
Note	
------	--

Note	
------	--

Note	
------	--

**Female**

M14 mounting thread, installation height 9 mm

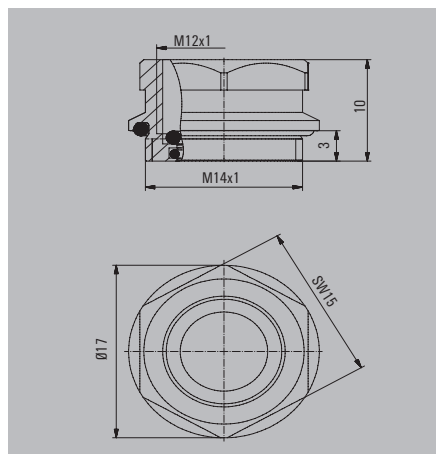


CuZn  
nickel-plated  
FKM

Type	Qty.	Order No.
SAIFG-M14X1-B-1	25	2423920000

**Female**

M14 mounting thread, installation height 13 mm

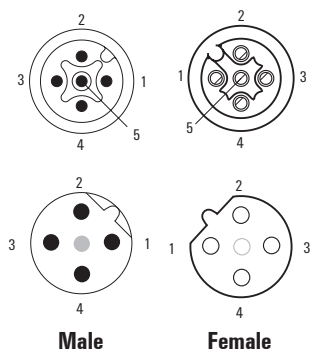


CuZn  
nickel-plated  
FKM

Type	Qty.	Order No.
SAIFG-M14X1-B-2	25	2423950000

## Device connectors

### M12 Solder cup A- and B-coded



### Rear panel mounting

Mounting thread M16



### Front mounting

Mounting thread M16



### Ordering data

Male, straight	
	A-coded, 5-pole
	B-coded, 4-pole
	B-coded, 5-pole
Note	

Type	Qty.	Order No.
SAIE-M12S-4A-H-LK	10	2424210000
SAIE-M12S-5B-H-LK	10	2424240000

Type	Qty.	Order No.
SAIE-M12S-5A-F-LK	10	2424160000
SAIE-M12S-4B-F-LK	10	2424180000

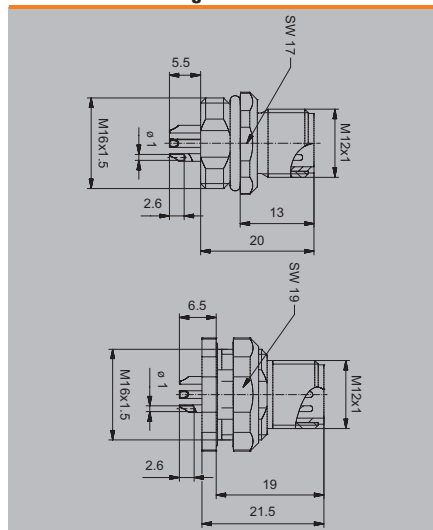
### Technical data

Rated voltage	60 V
Rated current	4 A
Temperature range	-30...80 °C
Protection degree	IP67
Contact surface	Au (Gold)
Housing main material	CuZn, nickel-plated
Connection thread	M12
Tightening torque	M12: 0.8 Nm
Mounting thread	M16
Mounting torque range	1.2 Nm
Note	

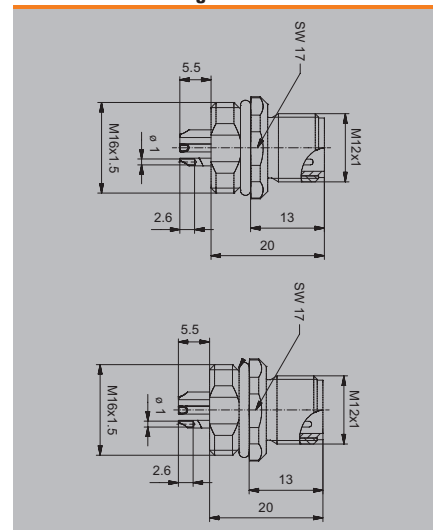
Rated voltage	250 V (4-pole) / 60 V (5-pole)
Rated current	4 A
Temperature range	-30...80 °C
Protection degree	IP67
Contact surface	Au (Gold)
Housing main material	CuZn, nickel-plated
Connection thread	M12
Tightening torque	M12: 0.8 Nm
Mounting thread	M16
Mounting torque range	1.2 Nm
Note	

Rated voltage	250 V (4-pole) / 60 V (5-pole)
Rated current	4 A
Temperature range	-30...80 °C
Protection degree	IP67
Contact surface	Au (Gold)
Housing main material	CuZn, nickel-plated
Connection thread	M12
Tightening torque	M12: 0.8 Nm
Mounting thread	M16
Mounting torque range	1.2 Nm
Note	

### Dimensioned drawing



### Dimensioned drawing



M12  
Solder cup  
Square flange  
A- and B-coded

Enclosure size 20 mm x 20 mm

Enclosure size 26 mm x 26 mm



Ordering data

Male, straight	
	A-coded, 4-pole
	A-coded, 5-pole
	B-coded, 4-pole
Note	

Type	Qty.	Order No.
SAIE-M12S-5A-FV-20-LK	10	2424270000
SAIE-M12S-4B-FV-20-LK	10	2424310000
Note		

Type	Qty.	Order No.
SAIE-M12S-4A-FV-26-LK	10	2424340000
SAIE-M12S-5A-FV-26-LK	10	2424370000
SAIE-M12S-4B-FV-26-LK	10	2424400000
Note		

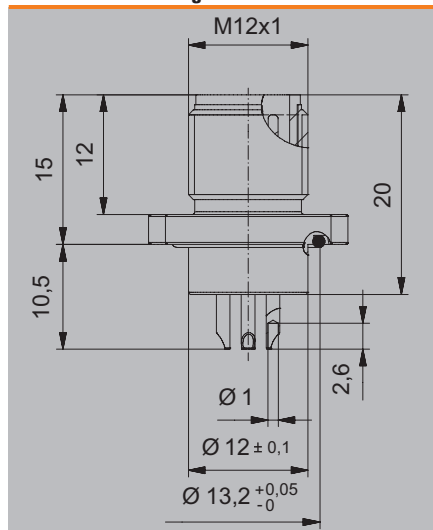
Technical data

Rated voltage	250 V (4-pole) / 60 V (5-pole)
Rated current	4 A
Temperature range	-30...80 °C
Protection degree	IP67
Contact surface	Au (Gold)
Housing main material	CuZn, nickel-plated
Connection thread	M12
Tightening torque	M12: 0.8 Nm
Mounting thread	
Mounting torque range	
Note	

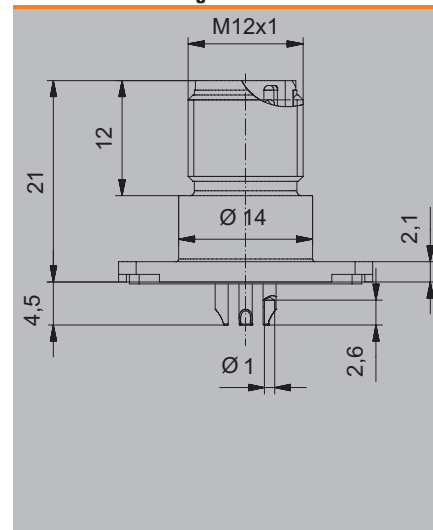
Rated voltage	250 V (4-pole) / 60 V (5-pole)
Rated current	4 A
Temperature range	-30...80 °C
Protection degree	IP67
Contact surface	Au (Gold)
Housing main material	CuZn, nickel-plated
Connection thread	M12
Tightening torque	M12: 0.8 Nm
Mounting thread	
Mounting torque range	
Note	

Rated voltage	250 V (4-pole) / 60 V (5-pole)
Rated current	4 A
Temperature range	-30...80 °C
Protection degree	IP67
Contact surface	Au (Gold)
Housing main material	CuZn, nickel-plated
Connection thread	M12
Tightening torque	M12: 0.8 Nm
Mounting thread	
Mounting torque range	
Note	

Dimensioned drawing



Dimensioned drawing





# 7/8" connectors

<b>7/8" connectors</b>	Introduction	J.2
	7/8" plug-in connectors	J.6
	7/8" built-in plug	J.8
	7/8" sensor cables	J.13

## 7/8" products

Connectors with threads measured in inches have been used for many years, mainly outside Europe. The 7/8" thread types are the main group found within this group of products. They are essentially used in bus systems like Fieldbus Foundation or DeviceNet. In recent years these connectors also have become popular as supply ports for I/O nodes, due to the low number of pins and their sturdy construction.

**Weidmüller now offers this product range in the following versions:**

- Customisable connectors
- Built-in connectors
- Moulded cables





## 7/8" - Freely configurable plug-in connectors



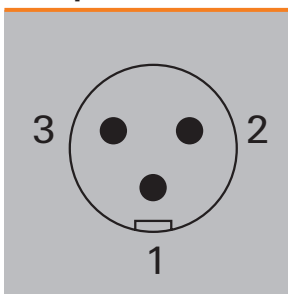
In some situations, it may be necessary to assemble cables yourself. This includes cases where the length of the cable cannot be predicted in advance, or if solutions for self-connection are required for servicing. Often, 7/8" plug connectors are used to transmit high power levels.

### Advantages of 7/8" plug connectors:

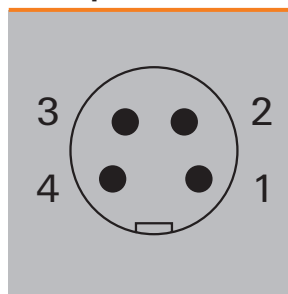
- Simple and safe wiring thanks to screw connection
- Different variants available for different cable diameters
- Gold-plated contact surfaces
- 3, 4 and 5-pole versions

### Pin out

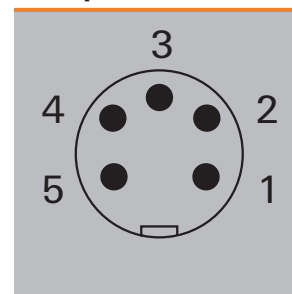
#### Male insert (mating side) 2+PE-pole



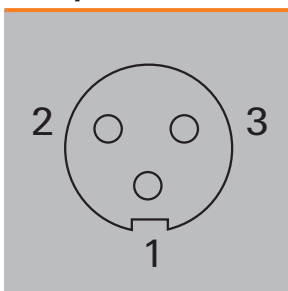
#### 3 + PE-pole



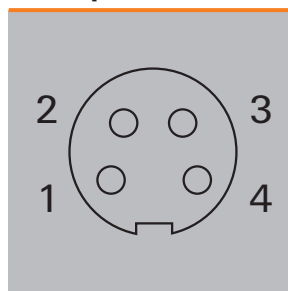
#### 4+PE-pole



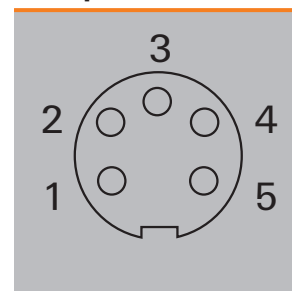
#### Female insert (mating side) 2+PE-pole



#### 3 + PE-pole

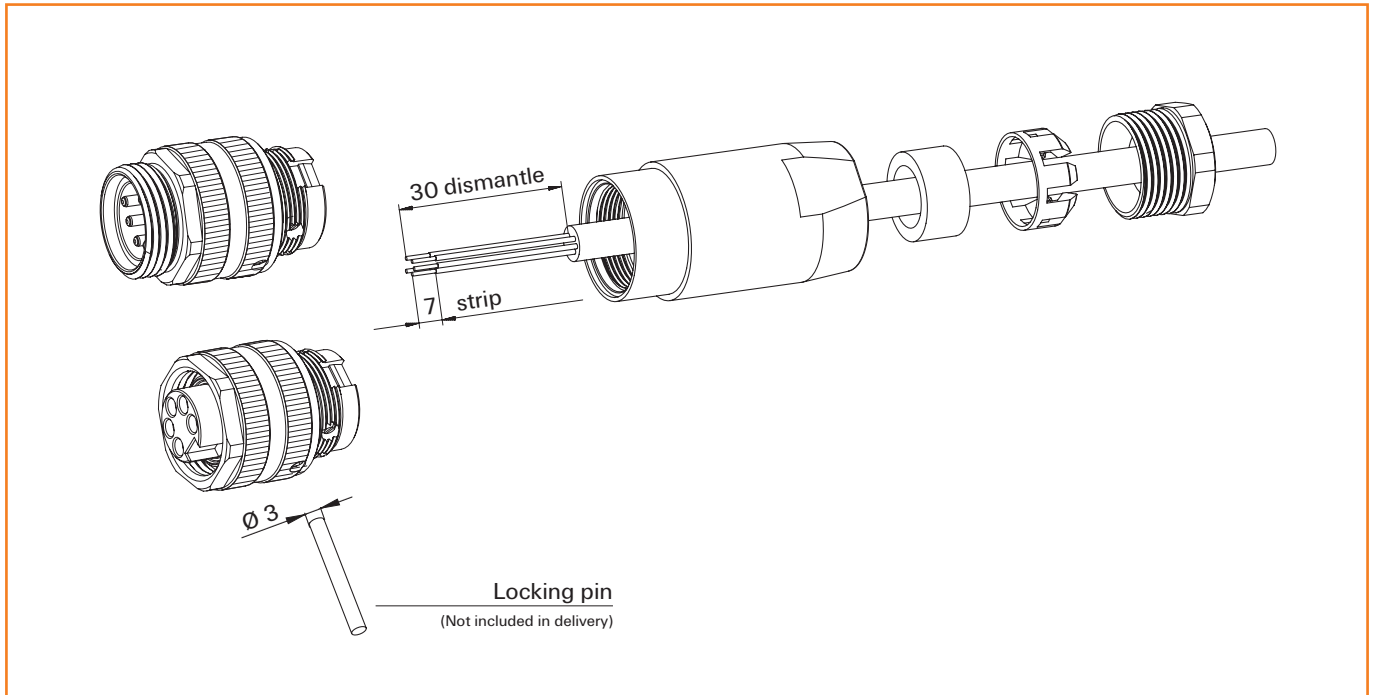


#### 4+PE-pole



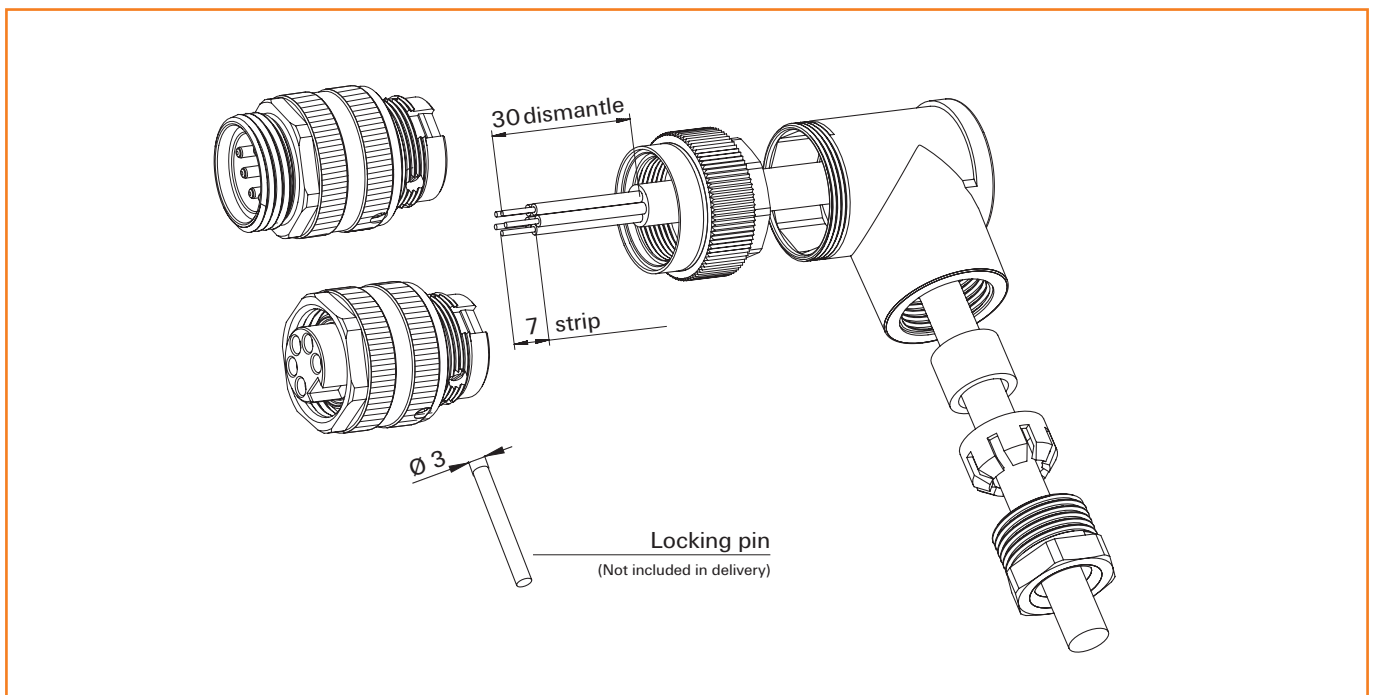
# Customisable connector assembly instructions

## Straight connector



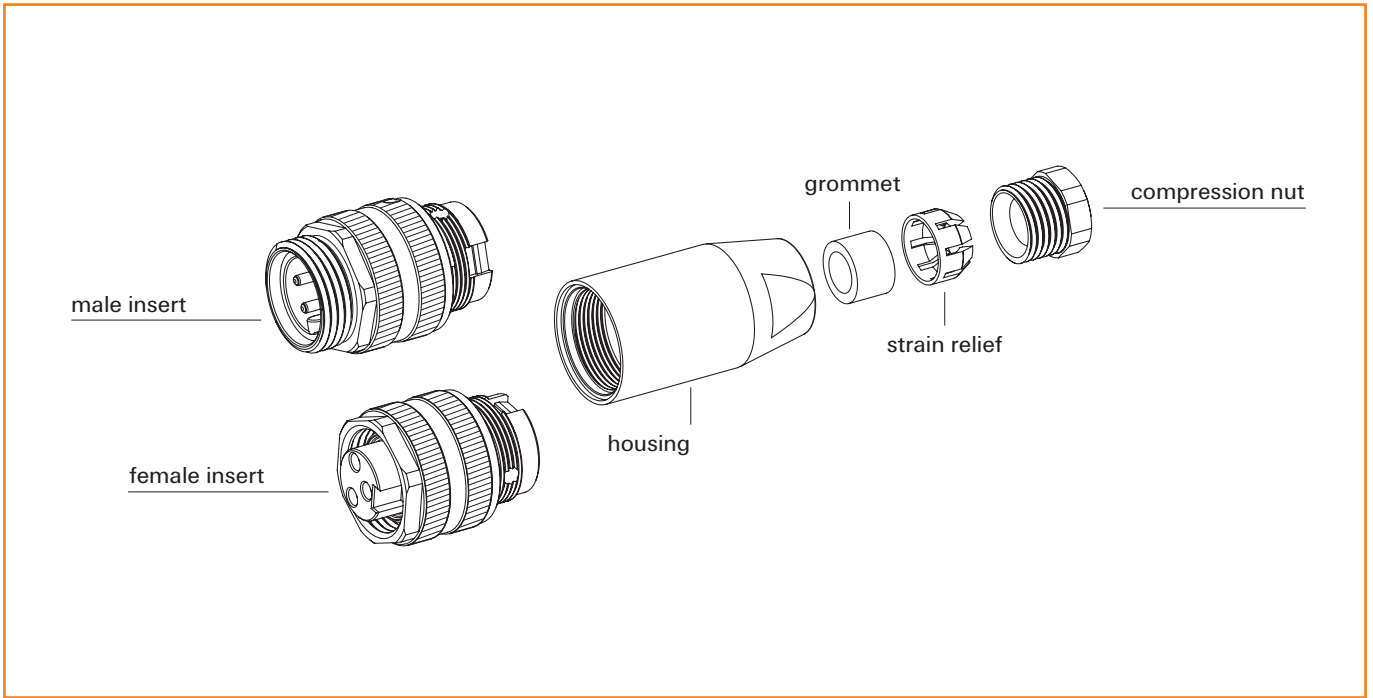
## J

## Angled connector

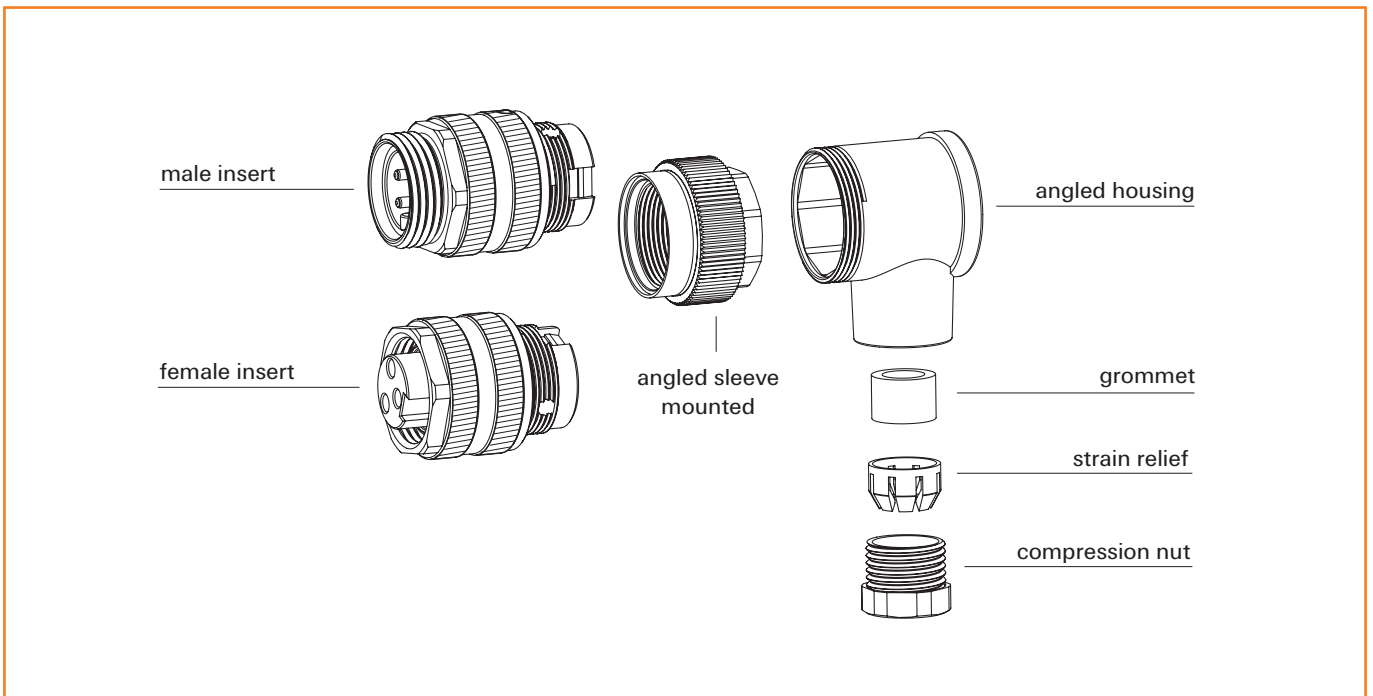


# Individual component drawing of the customisable connector

## Straight connector

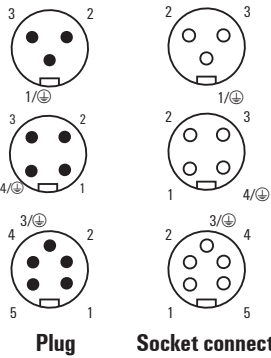


## Angled connector



## 7/8" plug-in connectors

**Screw connection 7/8", PG9**  
Cable diameter 6...8 mm



### SAIS / SAIB

straight



### SAISW / SAIBW

angled



### Ordering data

Male	
2-pole + PE, PG 9	
3-pole + PE, PG 9	
4-pole + PE, PG 9	
Female	
2-pole + PE, PG 9	
3-pole + PE, PG 9	
4-pole + PE, PG 9	
Note	

Type	Qty.	Order No.
SAIS-3/9-7/8	1	1291870000
SAIS-4/9-7/8	1	1808840000
SAIS-5/9-7/8	1	1301220000
SAIB-3/9-7/8	1	1291910000
SAIB-4/9-7/8	1	1812480000
SAIB-5/9-7/8	1	1292000000

Type	Qty.	Order No.
SAISW-3/9-7/8	1	1291890000
SAISW-4/9-7/8	1	1808830000
SAISW-5/9-7/8	1	1291980000
SAIBW-3/9-7/8	1	1291930000
SAIBW-4/9-7/8	1	1812470000
SAIBW-5/9-7/8	1	1292020000

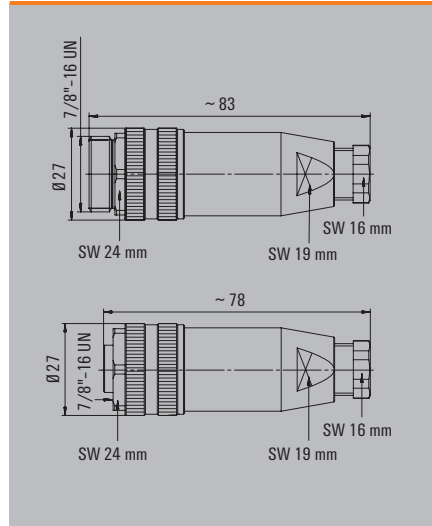
### Technical data

Type of connection	Screw connection
Housing main material	PBT
Connection thread	7/8"
Cable diameter	6...8 mm
Wire cross-section, min. / max.	0.5...1.5 mm <sup>2</sup>
Rated current	9 A (4- and 5-pole), 12 A (3-pole)
Rated voltage	250 V
Temperature range of housing	-40 ... +85 °C
Protection degree	IP67
Contact surface	Gold-plated
Contact material	CuZn
Plugging cycles	≥ 50
Pollution severity	3
Approvals	CE; cURus
Note	

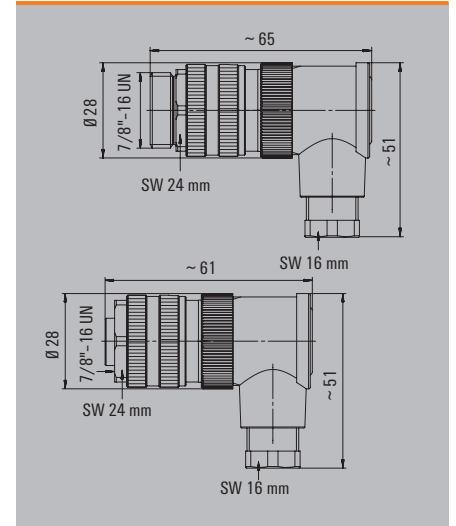
Type of connection	Screw connection
Housing main material	PBT
Connection thread	7/8"
Cable diameter	6...8 mm
Wire cross-section, min. / max.	0.5...1.5 mm <sup>2</sup>
Rated current	9 A (4- and 5-pole), 12 A (3-pole)
Rated voltage	250 V
Temperature range of housing	-40 ... +85 °C
Protection degree	IP67
Contact surface	Gold-plated
Contact material	CuZn
Plugging cycles	≥ 50
Pollution severity	3
Approvals	CE; cURus
Note	

Type of connection	Screw connection
Housing main material	PBT
Connection thread	7/8"
Cable diameter	6...8 mm
Wire cross-section, min. / max.	0.5...1.5 mm <sup>2</sup>
Rated current	9 A (4- and 5-pole), 12 A (3-pole)
Rated voltage	250 V
Temperature range of housing	-40 ... +85 °C
Protection degree	IP67
Contact surface	Gold-plated
Contact material	CuZn
Plugging cycles	≥ 50
Pollution severity	3
Approvals	CE; cURus
Note	

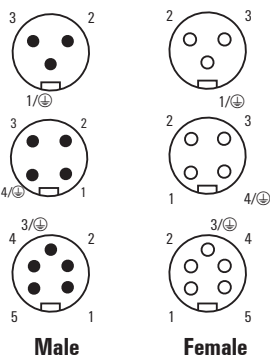
### Dimensioned drawing



### Dimensioned drawing



**Screw connection 7/8", PG11**  
Cable diameter 8...10 mm



**SAIS / SAIB**

Straight



**SAISW / SAIBW**

Angled



**Ordering data**

Male	
	2-pole + PE, PG 11
	3-pole + PE, PG 11
	4-pole + PE, PG 11
Female	
	2-pole + PE, PG 11
	3-pole + PE, PG 11
	4-pole + PE, PG 11
Note	

Type	Qty.	Order No.
SAIS-3/11-7/8	1	1291880000
SAIS-4/11-7/8	1	1291950000
SAIS-5/11-7/8	1	1291970000
SAIB-3/11-7/8	1	1291920000
SAIB-4/11-7/8	1	1292050000
SAIB-5/11-7/8	1	1292010000

Type	Qty.	Order No.
SAISW-3/11-7/8	1	1291900000
SAISW-4/11-7/8	1	1292040000
SAISW-5/11-7/8	1	1291990000
SAIBW-3/11-7/8	1	1291940000
SAIBW-4/11-7/8	1	1292070000
SAIBW-5/11-7/8	1	1292030000

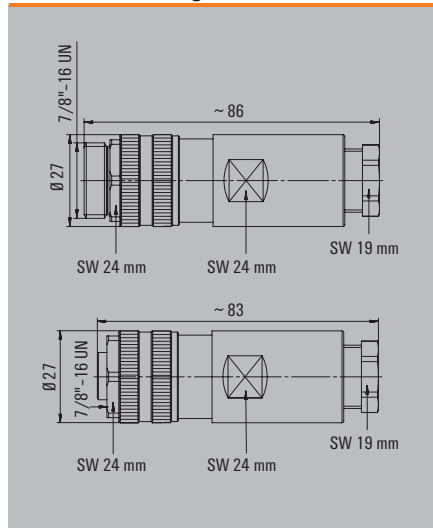
**Technical data**

Type of connection	Screw connection
Housing main material	PBT
Connection thread	7/8"
Cable diameter	8...10 mm
Wire cross-section, min. / max.	0.5...1.5 mm <sup>2</sup>
Rated current	9 A (4- and 5-pole), 12 A (3-pole)
Rated voltage	250 V
Temperature range of housing	-40 ... +85 °C
Protection degree	IP67
Contact surface	Gold-plated
Contact material	CuZn
Plugging cycles	≥ 50
Pollution severity	3
Approvals	CE, cURus
Note	

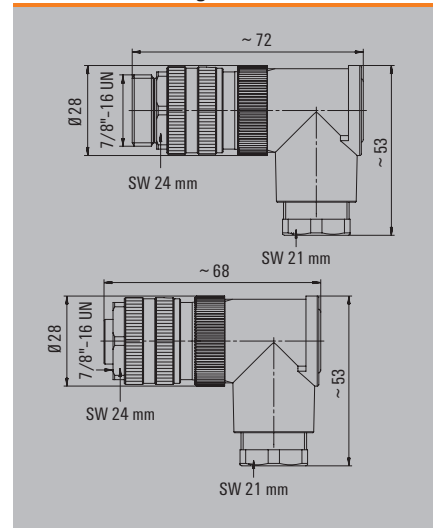
Type of connection	Screw connection
Housing main material	PBT
Connection thread	7/8"
Cable diameter	8...10 mm
Wire cross-section, min. / max.	0.5...1.5 mm <sup>2</sup>
Rated current	9 A (4- and 5-pole), 12 A (3-pole)
Rated voltage	250 V
Temperature range of housing	-40 ... +85 °C
Protection degree	IP67
Contact surface	Gold-plated
Contact material	CuZn
Plugging cycles	≥ 50
Pollution severity	3
Approvals	CE, cURus
Note	

Type of connection	Screw connection
Housing main material	PBT
Connection thread	7/8"
Cable diameter	8...10 mm
Wire cross-section, min. / max.	0.5...1.5 mm <sup>2</sup>
Rated current	9 A (4- and 5-pole), 12 A (3-pole)
Rated voltage	250 V
Temperature range of housing	-40 ... +85 °C
Protection degree	IP67
Contact surface	Gold-plated
Contact material	CuZn
Plugging cycles	≥ 50
Pollution severity	3
Approvals	CE, cURus
Note	

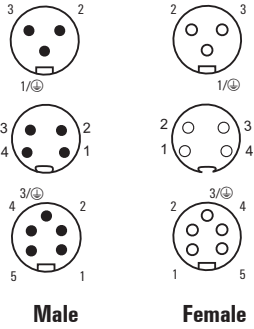
**Dimensioned drawing**



**Dimensioned drawing**



## 7/8" built-in plug



## 7/8" Back panel mounting

Mounting thread M26



### Ordering data

Male	
2-pole + PE	SAIE-7/8S-3-0.2U-H
4-pole	SAIE-7/8S-4-0.2U-H
4-pole + PE	SAIE-7/8S-5-0.2U-H
Female	
2-pole + PE	SAIE-7/8B-3-0.2U-H
4-pole	SAIE-7/8B-4-0.2U-H
4-pole + PE	SAIE-7/8B-5-0.2U-H
Note	

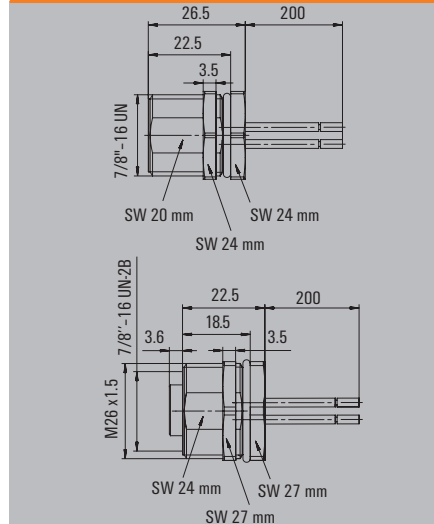
Type	Qty.	Order No.
SAIE-7/8S-3-0.2U-H	1	1292350000
SAIE-7/8S-4-0.2U-H	1	1292420000
SAIE-7/8S-5-0.2U-H	1	1292490000
SAIE-7/8B-3-0.2U-H	1	1292390000
SAIE-7/8B-4-0.2U-H	1	1292450000
SAIE-7/8B-5-0.2U-H	1	1292520000
Note		

### Technical data

Housing main material	Zinc diecast, nickel-plated
Connection thread	7/8"
Core cross-section	0.75 mm <sup>2</sup>
Rated current	8 A (4- and 5-pole), 10 A (3-pole)
Rated voltage	300 V
Temperature range of housing	-25...+85 °C
Protection degree	IP67, when screwed in
Contact surface	Gold-plated
Contact material	CuZn
Plugging cycles	≥ 100
Mounting thread	M26 x 1.5
Approvals	cURus
Note	

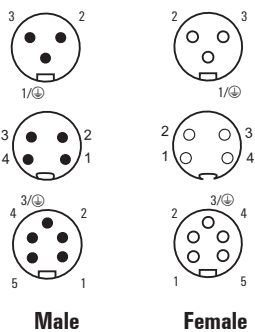
Housing main material	Zinc diecast, nickel-plated
Connection thread	7/8"
Core cross-section	0.75 mm <sup>2</sup>
Rated current	8 A (4- and 5-pole), 10 A (3-pole)
Rated voltage	300 V
Temperature range of housing	-25...+85 °C
Protection degree	IP67, when screwed in
Contact surface	Gold-plated
Contact material	CuZn
Plugging cycles	≥ 100
Mounting thread	M26 x 1.5
Approvals	cURus
Note	

### Dimensioned drawing



### 7/8" Screw-in thread

Mounting thread PG11



#### Ordering data

Male	
2-pole + PE	SAIE-7/8S-3-0.2U-PG11
4-pole	SAIE-7/8S-4-0.2U-PG11
4-pole + PE	SAIE-7/8S-5-0.2-PG11
Female	
2-pole + PE	SAIE-7/8B-3-0.2U-PG11
4-pole	SAIE-7/8B-4-0.2U-PG11
4-pole + PE	SAIE-7/8B-5-0.2U-PG11
Note	

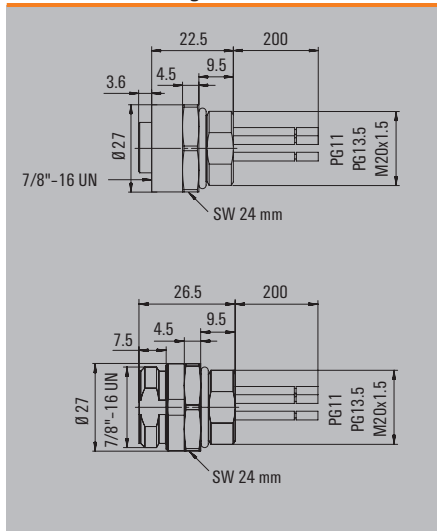
Type	Qty.	Order No.
SAIE-7/8S-3-0.2U-PG11	1	1292330000
SAIE-7/8S-4-0.2U-PG11	1	1292400000
SAIE-7/8S-5-0.2-PG11	1	1292470000
SAIE-7/8B-3-0.2U-PG11	1	1292370000
SAIE-7/8B-4-0.2U-PG11	1	1292430000
SAIE-7/8B-5-0.2U-PG11	1	1292500000
Note		

#### Technical data

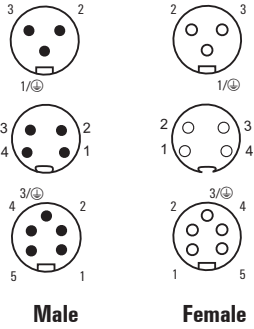
Housing main material	Zinc diecast, nickel-plated
Connection thread	7/8"
Core cross-section	0.75 mm <sup>2</sup>
Rated current	8 A (4- and 5-pole), 10 A (3-pole)
Rated voltage	300 V
Temperature range of housing	-25...+85 °C
Protection degree	IP67, when screwed in
Contact surface	Gold-plated
Contact material	CuZn
Plugging cycles	≥ 100
Mounting thread	PG 11
Approvals	cURus
Note	

Housing main material	Zinc diecast, nickel-plated
Connection thread	7/8"
Core cross-section	0.75 mm <sup>2</sup>
Rated current	8 A (4- and 5-pole), 10 A (3-pole)
Rated voltage	300 V
Temperature range of housing	-25...+85 °C
Protection degree	IP67, when screwed in
Contact surface	Gold-plated
Contact material	CuZn
Plugging cycles	≥ 100
Mounting thread	PG 11
Approvals	cURus
Note	

#### Dimensioned drawing



7/8" built-in plug



7/8" Screw-in thread

Mounting thread PG 13.5



Ordering data

Male	
2-pole + PE	SAIE-7/8S-3-0.2U-PG13.5
4-pole	SAIE-7/8S-4-0.2U-PG13.5
4-pole + PE	SAIE-7/8S-5-0.2U-PG13.5
Female	
2-pole + PE	SAIE-7/8B-3-0.2U-PG13.5
4-pole	SAIE-7/8B-4-0.2U-PG13.5
4-pole + PE	SAIE-7/8B-5-0.2U-PG13.5
Note	

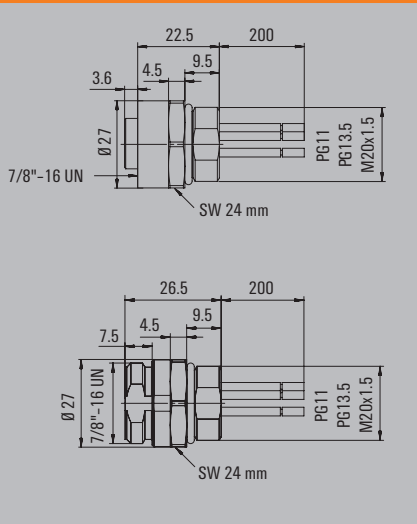
Type	Qty.	Order No.
SAIE-7/8S-3-0.2U-PG13.5	1	1292340000
SAIE-7/8S-4-0.2U-PG13.5	1	1292410000
SAIE-7/8S-5-0.2U-PG13.5	1	1292480000
SAIE-7/8B-3-0.2U-PG13.5	1	1292380000
SAIE-7/8B-4-0.2U-PG13.5	1	1292440000
SAIE-7/8B-5-0.2U-PG13.5	1	1292510000
Note		

Technical data

Housing main material	Zinc diecast, nickel-plated
Connection thread	7/8"
Core cross-section	0.75 mm <sup>2</sup>
Rated current	8 A (4- and 5-pole), 10 A (3-pole)
Rated voltage	300 V
Temperature range of housing	-25...+85 °C
Protection degree	IP67, when screwed in
Contact surface	Gold-plated
Contact material	CuZn
Plugging cycles	≥ 100
Mounting thread	PG 13.5
Approvals	cURus
Note	

Housing main material	Zinc diecast, nickel-plated
Connection thread	7/8"
Core cross-section	0.75 mm <sup>2</sup>
Rated current	8 A (4- and 5-pole), 10 A (3-pole)
Rated voltage	300 V
Temperature range of housing	-25...+85 °C
Protection degree	IP67, when screwed in
Contact surface	Gold-plated
Contact material	CuZn
Plugging cycles	≥ 100
Mounting thread	PG 13.5
Approvals	cURus
Note	

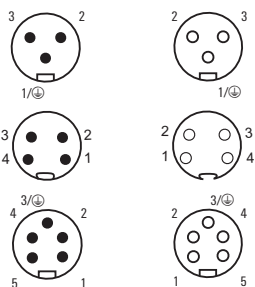
Dimensioned drawing





### 7/8" Screw-in thread

Mounting thread M20



Male

Female



#### Ordering data

Male	
2-pole + PE	SAIE-7/8S-3-0.2U-M20
4-pole	SAIE-7/8S-4-0.2U-M20
4-pole + PE	SAIE-7/8S-5-0.2U-M20
Female	
2-pole + PE	SAIE-7/8-B-3-0.2U-M20
4-pole	SAIE-7/8-B-4-0.2U-M20
Note	

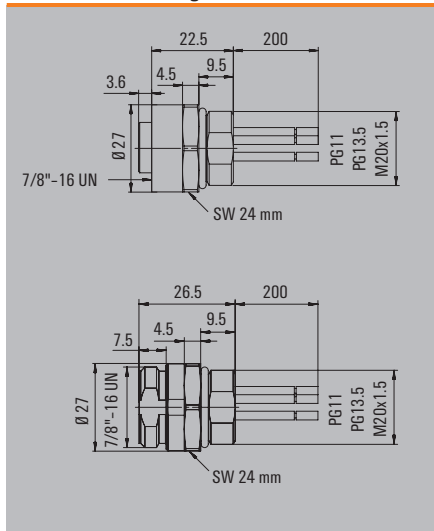
Type	Qty.	Order No.
SAIE-7/8S-3-0.2U-M20	1	1418040000
SAIE-7/8S-4-0.2U-M20	1	1418050000
SAIE-7/8S-5-0.2U-M20	1	1471490000
SAIE-7/8-B-3-0.2U-M20	1	1471510000
SAIE-7/8-B-4-0.2U-M20	1	1471520000
Note		

#### Technical data

Housing main material	Zinc diecast, nickel-plated
Connection thread	7/8"
Core cross-section	0.75 mm <sup>2</sup>
Rated current	8 A (4- and 5-pole), 10 A (3-pole)
Rated voltage	300 V
Temperature range of housing	-25...+85 °C
Protection degree	IP67, when screwed in
Contact surface	Gold-plated
Contact material	CuZn
Plugging cycles	≥ 100
Mounting thread	M 20
Approvals	cURus
Note	

Housing main material	Zinc diecast, nickel-plated
Connection thread	7/8"
Core cross-section	0.75 mm <sup>2</sup>
Rated current	8 A (4- and 5-pole), 10 A (3-pole)
Rated voltage	300 V
Temperature range of housing	-25...+85 °C
Protection degree	IP67, when screwed in
Contact surface	Gold-plated
Contact material	CuZn
Plugging cycles	≥ 100
Mounting thread	M 20
Approvals	cURus
Note	

#### Dimensioned drawing

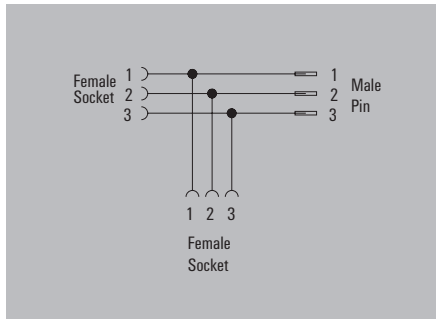


7/8" built-in plug

T distributor

7/8" T distributor

3-pole

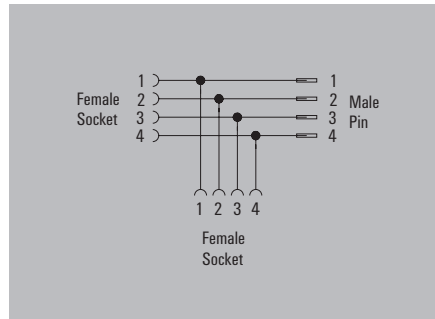


Ordering data

Type	Qty.	Order No.
SAI-Y-7/8 3P	1	1413920000

7/8" T distributor

4-pole

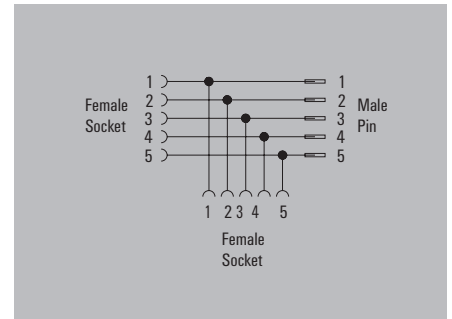


Ordering data

Type	Qty.	Order No.
SAI-Y-7/8 4P	1	1413930000

7/8" T distributor

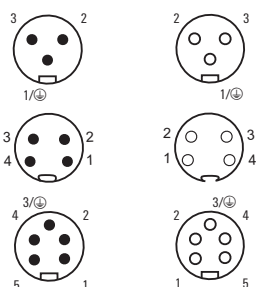
5-pole



Ordering data

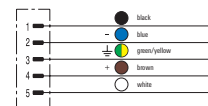
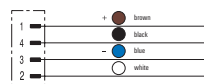
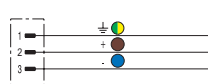
Type	Qty.	Order No.
SAI-Y-7/8 5P	1	1413940000

7/8" one end without connector



Male

Female



Ordering data

Male, straight	1.5 m
Male, angled	1.5 m
Female, straight	1.5 m
Female, angled	1.5 m
Note	

2-pole+PE

SAIL-7/8G-3-1.5U	1292080150
SAIL-7/8W-3-1.5U	1292090150
SAIL-7/8BG-3-1.5U	1292100150
SAIL-7/8BW-3-1.5U	1292110150
Cable outside diameter: 7.4 ± 0.2 mm	

4-pole

SAIL-7/8G-4-1.5U	1292120150
SAIL-7/8W-4-1.5U	1292130150
SAIL-7/8BG-4-1.5U	1292140150
SAIL-7/8BW-4-1.5U	1292150150
Cable outside diameter: 8.0 ± 0.2 mm	

4-pole+PE

SAIL-7/8G-5-1.5U	1292170150
SAIL-7/8W-5-1.5U	1292180150
SAIL-7/8BG-5-1.5U	1292190150
SAIL-7/8BW-5-1.5U	1292200150
Cable outside diameter: 8.7 ± 0.2 mm	

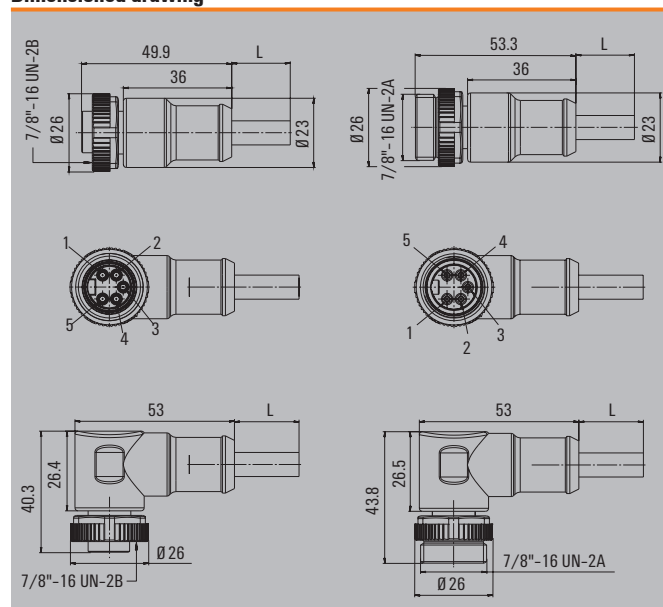
Standard cable lengths

All cables listed in the ordering data have a length of 1.5 metres. The last four ordering digits must be changed when ordering other standard cable lengths.	1.5 m	xxxxxx0150
	3.0 m	xxxxxx0300
	5.0 m	xxxxxx0500
	10.0 m	xxxxxx1000

Technical data

Rated current / Rated voltage	9 A (4- and 5-pole), 12 A (3-pole) / 300 V
Protection degree	IP68, when screwed in
Core cross-section	1.5 mm <sup>2</sup>
Contact surface / Contact material	Au (Gold) / CuZn
Housing main material	PUR
Sheathing colour	black
Temperature range of housing	-40 ... +85 °C
Plugging cycles	≥ 100
Pollution severity	3
Approvals	cULus

Dimensioned drawing



## Torques and spanner sizes

### Torques and distances across flats of the cable gland

The following values for strain relief apply to plug-in connectors with strain relief

Cable Ø	Min. cable pull strength	Recommended torque of the clamping screw
2 - 3	min. 20 N	0.3 - 0.4 Nm
3 - 4	min. 30 N	0.3 - 0.4 Nm
4 - 5	min. 40 N	0.8 - 1.0 Nm
5 - 6	min. 50 N	0.8 - 1.0 Nm
6 - 7	min. 60 N	0.8 - 1.0 Nm
7 - 8	min. 70 N	0.8 - 1.0 Nm
8 - 12	min. 80 N	1.0 - 1.4 Nm
12 - 14	min. 120 N	1.0 - 1.4 Nm

**Note:** Torque of the 7/8" plug-in connector: 1.5 Nm (spanner size: 24)  
M 2.5 Threaded bolt: 0.4 Nm

### Torque applicable for the mounting in enclosures

Cable gland	Recommended tightening torque for built-in plugs
PG 11	6,26 Nm
PG 13,5	6,25 Nm
M20 x 1,5	12,00 Nm
back panel mounting	12,00 Nm

**Note:**

# M23 Connectors and cables

<b>M23 Connectors and cables</b>	Product Description: SAI M23 Connectors	K.2
	Contact assignment	K.7
	Technical data	K.8
	Overview	K.10
	M23 connector for signal transmission	K.12
	M23 connector Stainless Steel	K.26
	M23 connector for power transmission	K.28
	M23 protective caps	K.32
	Moulded M23 cables	K.34
	SAI distributor M12 with M23	K.35
	Installation instructions - Signal connectors	K.38
	Installation instructions - Power connectors	K.43
	M23 connector	K.48

## M23 plug connectors, cables and passive distributors

M23 connectors are mainly used for connecting electrical drives and servo-motors into industrial automation applications. Thanks to very simple handling, they can be used to wire any application efficiently, saving time.

Our broad portfolio of freely configurable plug connectors, overmoulded cables and passive distributors ensures we can offer the perfect solution for every application.

### Advantages of our M23 products:

- Broad product portfolio
  - Freely configurable plug-in connectors
  - Overmoulded cables
  - Passive distributors
  - Built-in connectors
- Easy handling of all products





**The M23 built in connector**

The M23 built in connector provides a custom fit solution for building directly into the device.



**M23 connectors for crimping**

M23 connectors are easy to handle and operate. This is supported by the type of crimping that is used.



**Robust metal housing**

The M23 connectors feature an extra robust design.



**Solutions for power and signals**

The extensive product line includes the key housing shapes, such as angled connectors, coupling connectors and device connectors.



**M23 connector for signal transmission**  
Housings



**M23 connector for signal transmission**  
Built in connector



**M23 connector for power transmission**  
Housings



**M23 connector for power transmission**  
Built-in connector



**Moulded M23 cables**



**SAI distributors**



# Product Description: SAI M23 Connectors

## Technology and requirements

The M23 connectors are mainly used for integrating electrical drives and servo motors into industrial automation facilities. The M23 designation is based on the thread diameter of the connector, as shown in Figures 1 and 2. With their wide variety of inserts and housings, these connectors are equally suited for applications involving signal or power transmission. Applications set in harsh industrial environments place strict requirements on the connector. Much is demanded of the housing, the inner insert and the connector contact. Thermal loads, physical loads, and loads from the transmitted electrical power are commonplace. M23 connectors are capable of carrying a load of up to 250/630 V at 9/30 A.

The connectors must be resistant to the penetration of all particles and substances. They must also comply with the required class of IP protection. The material used for manufacture must be resistant to acid and alkaline solutions that may be used during cleaning or production processes. Also it must not be possible for residues to accumulate in the plug which could later contaminate the production flow. It must not be possible for the plug components to loosen due to vibration. In addition, the cable and connector must have EMC shielding for some applications. This keeps external interference from influencing the signals and it also prevents the transmitted signals in the cable from interfering with other cables or components. The standards and directives (such as the German or European standards) that are followed are basically only recommendations concerning the composition of the connector. A so-called "cold standard" exists for the M23 connectors.

## Variants and designs

The variants can be generally classified according to their outer design, into either customisable types, or plastic moulded connectors with pre-connected cables. Both variants are available in male or female versions, and in straight or angled design. Different designs and inserts can be combined to fit the particular application so that an almost limitless variety of combinations is possible. The connector inserts are available in a variety of different pole counts and as either male or female versions. The pole counts also vary in that some contacts in the mating profile may have a larger cross-section than the others. Other types include the device connector variants which are used for contacting and connecting housings. These also come in a variety of designs. The metal alloy in use may differ depending on the particular type of application. For example, stainless steel is used for those variants that will be used in the food processing industry. Each connector is optionally available with EMC protection and a plastic surface.

## Customisable connectors

Customisable connectors are almost all manufactured from metal alloys. Variants with plastic housings or fitting nuts are rare and used mostly for customer-specific solutions. Customisable connectors are made up of a housing, a plastic contact carrier, and the contacts themselves. The various housing types can be equipped with the corresponding contact carriers. The carriers differ in their number of poles and the arrangement of the poles. Different types of contacts may also be used within the contact carriers. The shape of the contacts is either male or female. There are also differences in the width, material, and connection system (such as soldered, crimped or screwed).

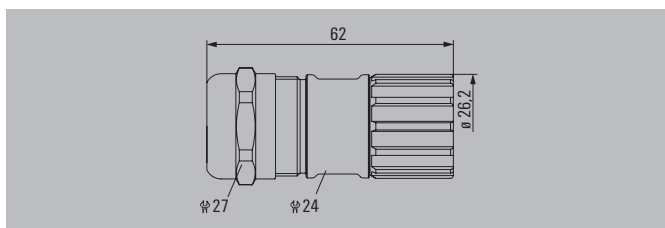


Figure 1: M23 cable connector

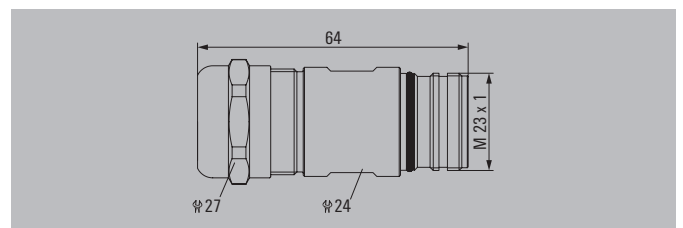


Figure 2: M23 coupling connector



This modular construction allows for a wide variety of combinations to fit any application type. Figure 3 shows the design and assembly of an M23 signal connector. Since the connector is usually put together in the field, the key requirement is that the connector is easy and reliable for the electrician to handle on-site. A good example of convenient

handling is the integrated EMC shielding. An improved shield connection results because the shielding can be connected in less steps and with fewer tools. The complete assembly process must be clear and concise, and should only take a few steps.

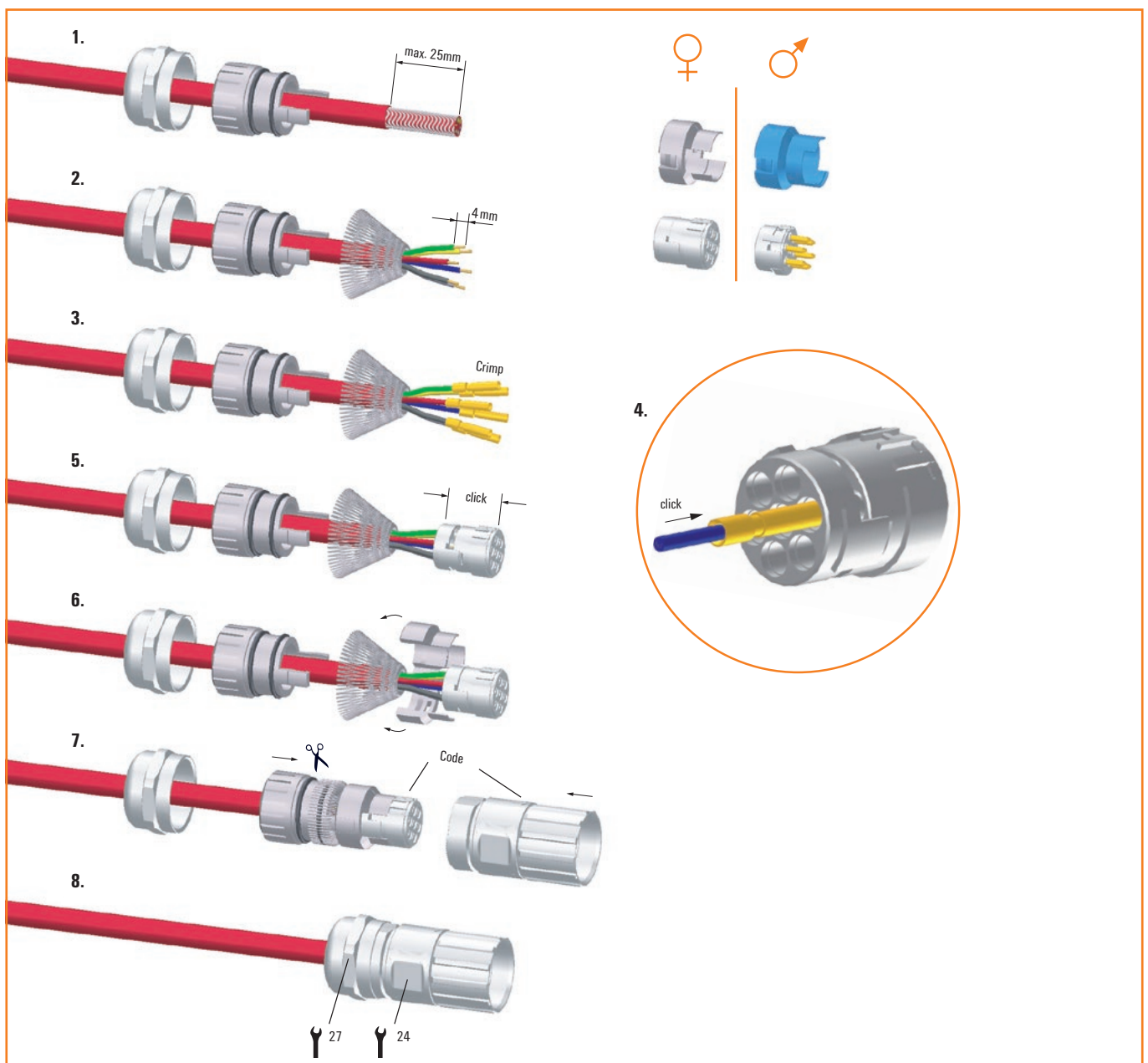


Figure 3: Design and assembly of an M23 connector

### Plastic injection moulded connector with connected cable

Plastic injection moulded cables are cables that have already been fitted with connectors. First the cables are connected with the contacts and then these are mounted into the contact carrier. Next, plastic injection moulding is used to cover the cable and contact carrier with a plastic moulding. This ensures a highly stable and well sealed connector housing. The connector must be destroyed for it to be disconnected from its cable. The connector's outer form and material is put together by a plastic processing tool. The advantage of a moulded cable is that the connection between the cable and the connector has already been tested at the production factory. The electrician need



Plastic injection-moulded M23 connector

only adjust the length. Depending on the application, he may choose to use another connector on the open end or connect the individual cable wires directly (for example, to a terminal block). The advantages of this variant type includes the inexpensive assembly of large batches, the high degree of automation and minimal amount of material used. High reliability and an excellent seal are two additional advantages.

### Connector usage and application

M23 connectors are mainly used for integrating within machine and facility construction applications. These applications require connections with a long life span and high reliability. The failure of a single connector could lead to the failure of the entire production line. It's important to avoid facility outages caused by a connector malfunction, so the machine and facility construction industry relies on connectors with the advantages listed above. Both signals and power must be transferred in such applications. The connector and the cable must be able to withstand harsh industrial conditions. Cables may be under stress from constant motion, in particular for applications involving robotics or dragline chains. Special cables with a specific maximum bending radius are used for such applications (for example, the bending radius may be 10d, i.e., ten times the cable diameter). When constructing a facility, a variety of

connection scenarios are possible based on the particular conditions or adaptations of existing facilities. The length or configuration of the cable must be adapted to fit these conditions. If space is constricted, for instance, it may be necessary to replace a straight connector with an angled one.

Cables can be equipped with both a moulded (extruded) connector and a customisable connector. This ensures proper functionality while providing the flexibility to adapt to changing conditions on location. Safe connections can thus be established with any possible connector combination or at any protective class required. This gives the facility planner the safety he needs. And the electrician on-site can set up the facility properly because he has sufficient



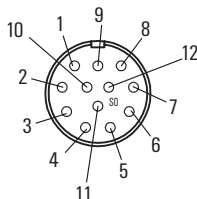
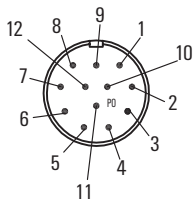
SAI distributor with M23 connector

flexibility to adapt to uncertain conditions. For sensor systems, connectors with high pole counts are often used on SAI distributors. Individual sensors are connected to the distributors where the signals are then centralised. They are then transferred to the controller using a cable with an M23 connector. The most common use for transmitting power involves the connection of servo-motors in machines. M23 connectors are used for this purpose because of their sturdy and compact design and their high power-carrying capacities. Because of the size of the M23 connector, it can also be used in a hybrid version for transmitting both signals and power. The signal-carrying contacts are then shielded within the connector to ensure that the transmitted voltages do not interfere with the signals.

# Contact assignment SAI M23

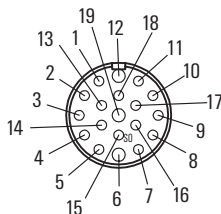
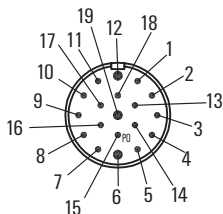
## M23 12- and 19-pole, for SAI distributors and cables

### 12-pole



Pole	Colour code	Plug-in station	Contact M12
1	white	1	4
2	green	2	4
3	yellow	3	4
4	grey	4	4
5	pink	5	4
6	red	6	4
7	black	7	4
8	violet	8	4
9	blue (-)	1-8	3
10	blue (-)	1-8	3
11	brown (+)	1-8	1
12	green-yellow (PE)	1-8	5

### 19-pole



Pole	Colour code	Plug-in station	Contact M12
1	violet	8	4
2	red	6	4
3	grey	4	4
4	red/blue	2	2
5	green	2	4
7	grey/pink	1	2
8	white/green	3	2
9	white/yellow	5	2
10	white/grey	7	2
11	black	7	4
13	yellow/brown	6	2
14	brown/green	4	2
15	white	1	4
16	yellow	3	4
17	pink	5	4
18	grey/brown	8	2
6	blue (-)	1-8	3
12	green-yellow (PE)	1-8	5
19	brown (+)	1-8	1

### Description code

<b>Housing</b>	
G	Inner thread
K	Outer thread
W	angled
S	Signal connectors
L	Power connectors
7/12	Cable passage
<b>Inserts</b>	
BE	Female insert
SE	Male insert
4/4	Number of contacts, here for 4 sensor and 4 power contacts
<b>Contacts</b>	
KBC	Female contact
<b>Wire cross-section</b>	
0.08/0.56	0.08 mm <sup>2</sup> - 0.56 mm <sup>2</sup>
0.25/1.0	0.25 mm <sup>2</sup> - 1.0 mm <sup>2</sup>
0.75/2.5	0.75 mm <sup>2</sup> - 2.5 mm <sup>2</sup>
<b>Moulded M23 cables</b>	
SAIS	Cable with male plug
SAIB	Cable with female plug
12p	12-pole
19p	19-pole
AN	angled
ST	straight
...M	Length in metres

### Contact partitioning

<b>Signal connectors</b>			
Type	1 mm contact	1.5 mm contact	2 mm contact
6-pole			6
7-pole			7
9-pole	8		1
12-pole	12		
16-pole	16		
17-pole	17		
19-pole	16	3	
<b>Power connectors</b>			
Type	1 mm contact	1.5 mm contact	2 mm contact
6-pole			6
4+4-pole	4		4

Contacts for signal plugs cannot be used in inserts for power plugs and vice versa.

## Technical data

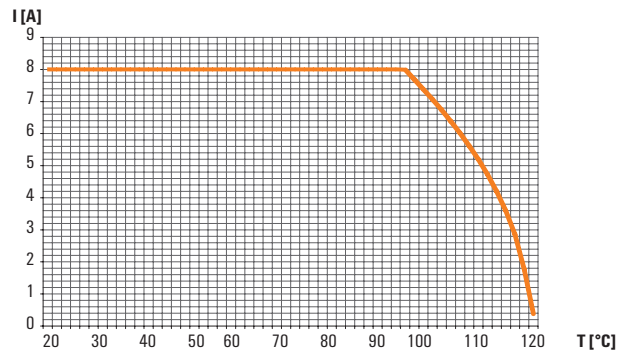
## Signal connectors

## Technical data

Mechanical data	
Housing	Copper-Zinc alloy Die Casting
Housing surface	Nickel plated brass other surface upon request
Inserts (for contacts)	Thermoplastic Polyamid PA 6 (Nylon 6/6), PBT / Fire protection class V-0
Contacts	Copper-Zinc alloy
Contact surface at point of contact	Nickel and gold plated (0.25 µm Au)
Minimum mating cycles	> 1000
Seals / O-Rings	Buna-N standard optional Viton® (Viton is a registered trademark of DuPont)
Temperature range	-40 °C - 125 °C
Type of contacts	Crimp, solder, dip-solder (PCB)
Protection, Imperviousness	IP 67 / IP 69 K per EN 60 529 (connected)
Cable diameter range	3 - 17 mm
Electrical Data	
Number of positions	6      7      9      12      16      17      19
Number of contacts	6      7      8      1      12      16      17      16      3
Contact-Ø	mm      2      2      1      2      1      1      1      1.5
Nominal current	A      20      20      8      20      8      8      8      10
Nominal voltage at pollution degree 2	V~      630      630      500      500      400      400      320
Nominal voltage at pollution degree 3	V~      300      300      200      200      160      160      100
Test voltage	V~      2500      2500      2500      2500      1500      1500      1500
Insulation resistance	MΩ      > 10 <sup>10</sup> > 10 <sup>10</sup> > 10 <sup>10</sup> > 10 <sup>10</sup> > 10 <sup>6</sup> > 10 <sup>6</sup> > 10 <sup>6</sup>
Max. contact resistance	mΩ      3      3      3      3      3      3      3

## Derating curve

Straight Connectors male + female M 23, 12-pole,  
wires 12 x AWG17



# Power connectors

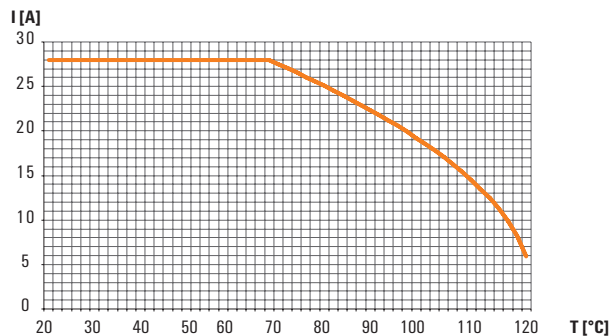
## Technical data

Mechanical data	
Housing	Copper-Zinc alloy Die Casting
Housing surface	Nickel plated brass other surface upon request
Inserts (for contacts)	Thermoplastic Polyamid PA 6 (Nylon 6/6), PBT / Fire protection class V-0
Contacts	Copper-Zinc alloy
Contact surface at point of contact	Nickel and gold plated (0.25 µm Au)
Minimum mating cycles	> 1000
Seals / O-Rings	Buna-N standard optional Viton® (Viton is a registered trademark of DuPont)
Temperature range	-40 °C - 125 °C
Type of contacts	Crimp
Protection, Imperviousness	IP 67 / IP 69 K per EN 60 529 (connected)
Cable diameter range	7 - 17 mm

Electrical Data		5 + PE		4/4	
Number of positions		6		4	
Number of contacts		6		4	
Contact-Ø	mm	2		1	
Nominal current	A	28		8	
Nominal voltage at pollution degree 2	V~	800		300	
Nominal voltage at pollution degree 3	V~	600		300	
Test voltage	V~	4000		2500	
Insulation resistance	MΩ	> 10 <sup>13</sup>		> 10 <sup>13</sup>	
Max. contact resistance	mΩ	3		3	








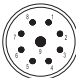


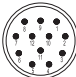


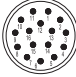





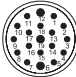






## Derating curve

Straight connectors male + female M 23, 5 + PE,  
wires 5 x AWG12






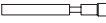















# M23 connector for signal transmission

All customisable connectors can also be assembled together with shielded cables.

Housing	Contact inserts*	Contacts
Cable connector 	6-pole 	Crimp pin 1 mm rotated 0.08 - 0.56 mm <sup>2</sup> 
Coupling connector 	7-pole 	Crimp pin 1 mm rotated 0.14 - 1.00 mm <sup>2</sup> 
Angled connector 	9-pole 	Crimp pin 1 mm rotated 1.00 - 1.50 mm <sup>2</sup> 
Angled connector (coupling) 	12-pole 	Crimp socket 1 mm rotated 0.08 - 0.56 mm <sup>2</sup> 
Device connector (front panel) 	16-pole 	Crimp socket 1 mm rotated 0.14 - 1.00 mm <sup>2</sup> 
Device connector with knurled nut 	17-pole 	Crimp socket 1 mm rotated 1.00 - 1.50 mm <sup>2</sup> 
Device connector (single-hole mount) 	19-pole 	Crimp pin 2 mm rotated 0.14 - 0.56 mm <sup>2</sup> 
Device connector (angled) 		Crimp socket 2 mm rotated 0.56 - 1.00 mm <sup>2</sup> 
Device connector (back panel) 		Crimp pin 2 mm rotated 0.75 - 2.50 mm <sup>2</sup> 
		Crimp socket 2 mm rotated 0.75 - 2.50 mm <sup>2</sup> 
* Solder and crimp inserts		

# M23 connector for power transmission

Housing	Contact inserts*	Contacts
Cable connector 	6 x Male 2 mm 	Crimp pin 1 mm turned 0.25 - 1.00 mm <sup>2</sup> 
Coupling connector 	6 x Socket 2 mm 	Crimp socket 1 mm turned 0.25 - 1.00 mm <sup>2</sup> 
Angled connector 	4 x Male 1 mm 4 x Male 2 mm 	Crimp pin 2 mm turned 0.75 - 2.50 mm <sup>2</sup> 
Angled connector (coupling) 	4 x Socket 1 mm 4 x Socket 2 mm 	Crimp pin 2 mm turned 2.50 - 4.00 mm <sup>2</sup> 
Device connector (front panel) 		Crimp socket 2 mm turned 0.75 - 2.50 mm <sup>2</sup> 
Device connector with knurled nut 		Crimp socket 2 mm turned 2.50 - 4.00 mm <sup>2</sup> 
Device connector (back panel) 		
Device connector (back panel) 		
Device connector (angled) 		
	* Crimp inserts	

## Moulded M23 cables

Housing
Cable connector
Coupling connector
Angled connector
Angled connector (coupling)

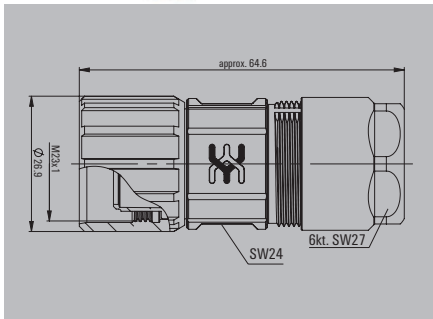


## M23 connector for signal transmission

### Housing

For cable diameters: 7 - 12 mm and 11 - 17 mm

#### Cable plug-in connector

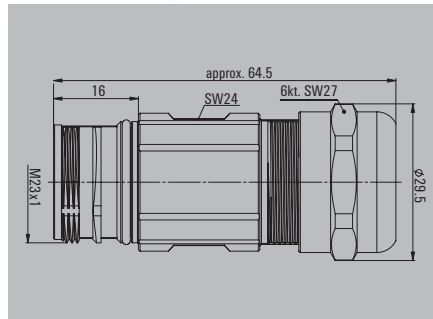


#### Ordering data

Type	Qty.	Order No.
SAI-M23-GS-11/17	1	1299390000
SAI-M23-GS-7/12	1	1995840000

Inserts and contacts must be ordered separately

#### Coupling plug-in connector

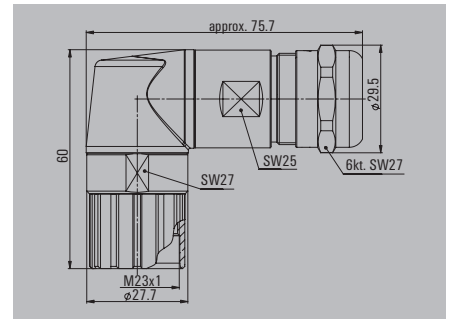


#### Ordering data

Type	Qty.	Order No.
SAI-M23-KS-7/12	1	1169900000

Inserts and contacts must be ordered separately

#### Angle plug-in connector

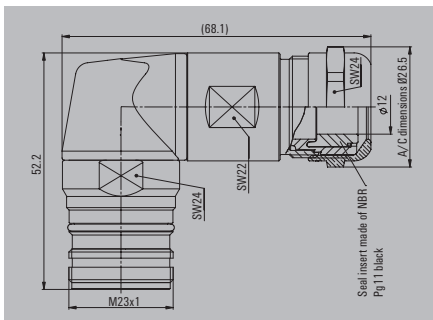


#### Ordering data

Type	Qty.	Order No.
SAI-M23-GSW-S-7/12	1	1169920000

Inserts and contacts must be ordered separately

#### Angle plug-in connector coupling



#### Ordering data

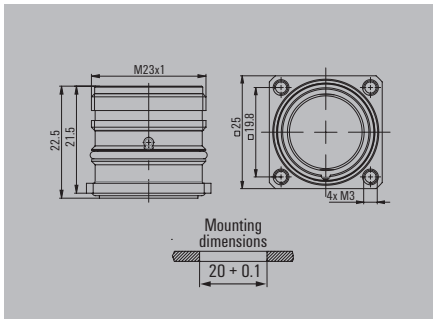
Type	Qty.	Order No.
SAI-M23-KSW-7/12	1	1169930000

Inserts and contacts must be ordered separately



Device connector housing

Device connector (front wall)

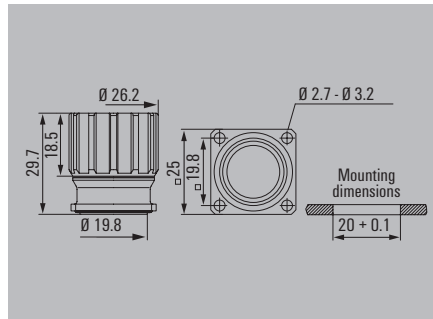


Ordering data

Type	Qty.	Order No.
SAIE-M23-S-VW	1	1169940000

Inserts and contacts must be ordered separately

Device connector with knurled nut



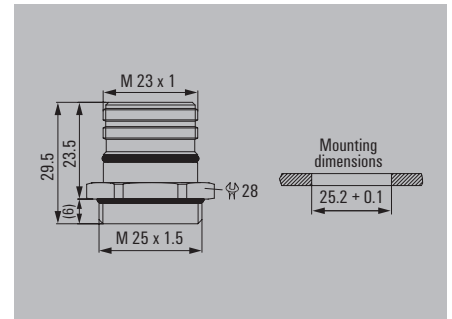
Ordering data

Type	Qty.	Order No.
SAIE-M23-S-RM	1	1169950000

Inserts and contacts must be ordered separately  
Assembly tool: 1238870000

Device connector, single-hole mount

for male and female inserts

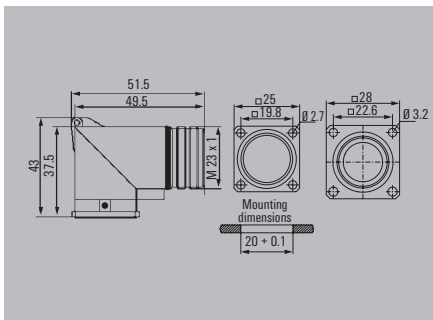


Ordering data

Type	Qty.	Order No.
SAIE-M23-S-EM	1	1169970000

Inserts and contacts must be ordered separately

Device connector, angled

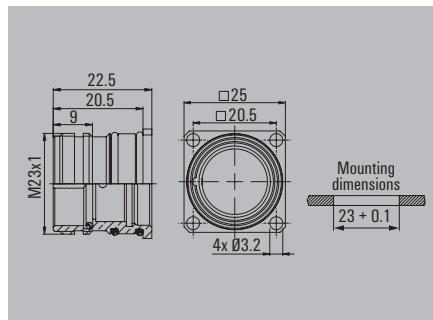


Ordering data

Type	Qty.	Order No.
SAIE-M23-S-W	1	1169980000

Inserts and contacts must be ordered separately

Device connector, rear wall



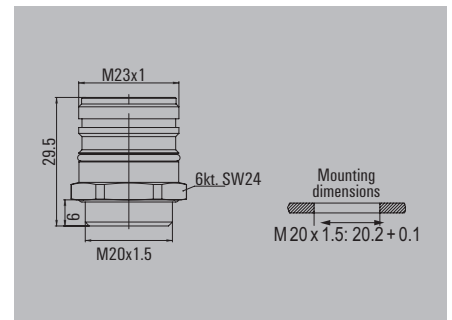
Ordering data

Type	Qty.	Order No.
SAIE-M23-S-HW	1	1169990000

Inserts and contacts must be ordered separately

Device connector, single-hole mounting

only for male inserts



Ordering data

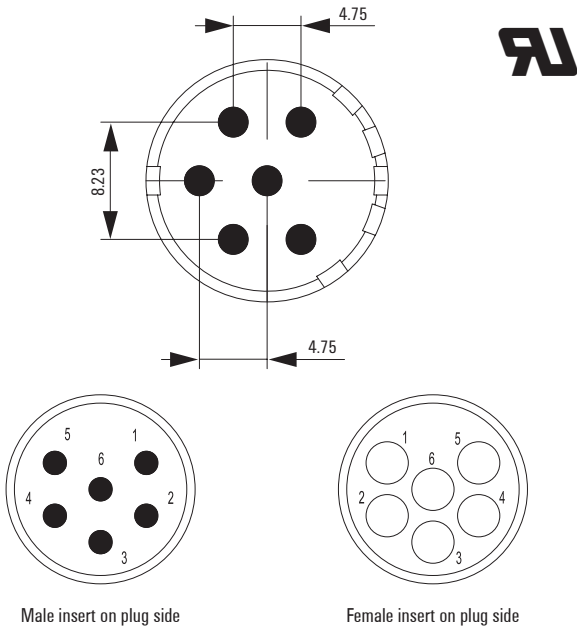
Type	Qty.	Order No.
SAIE-M23-S-EM-M20	1	1373440000

Inserts and contacts must be ordered separately

**M23 connector for signal transmission**

**Inserts**

**6-pole**

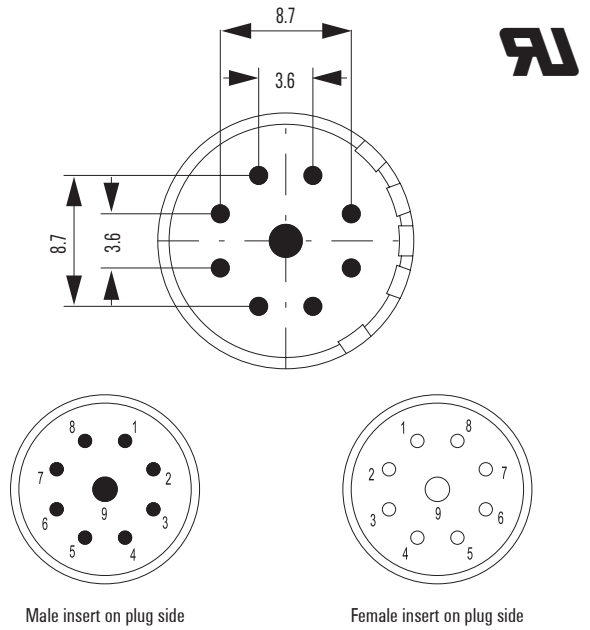


**Ordering data**

	Type	Qty.	Order No.
Insert 6-pole male	SAH-M23-SE-6	1	1170000000
Insert 6-pole socket	SAI-M23-BE-6	1	1170020000

Contacts must be ordered separately.

**9-pole**

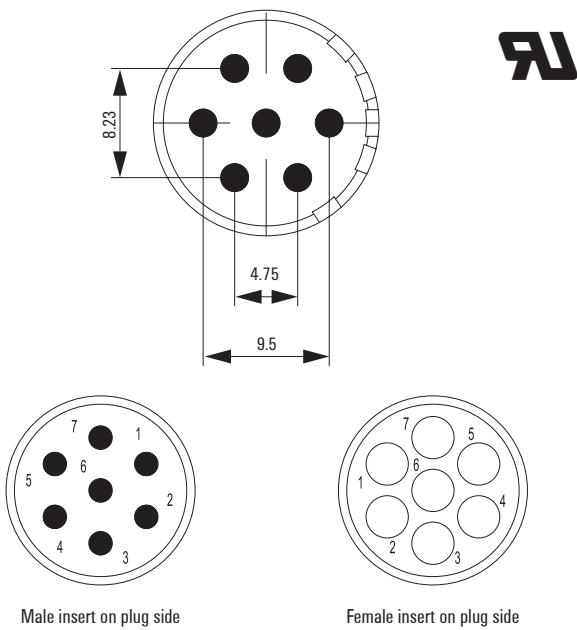


**Ordering data**

	Type	Qty.	Order No.
Insert 9-pole male	SAI-M23-SE-9	1	1170050000
Insert 9-pole socket	SAI-M23-BE-9	1	1170060000

Contacts must be ordered separately.

**7-pole**

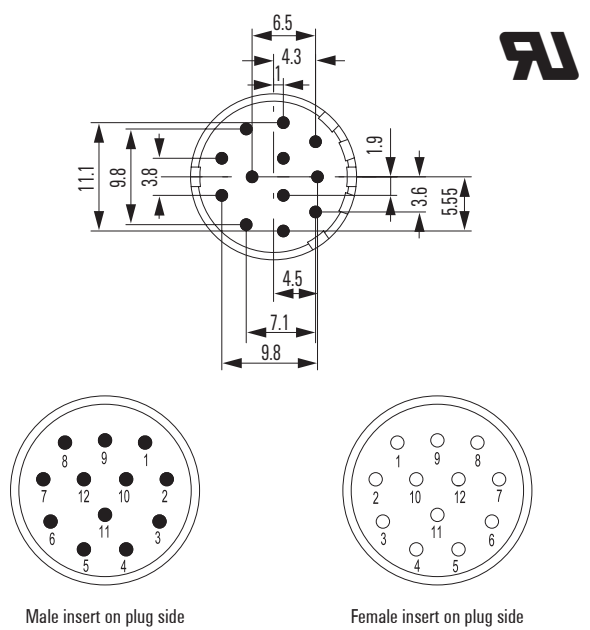


**Ordering data**

	Type	Qty.	Order No.
Insert 7-pole male	SAI-M23-SE-7	1	1170030000
Insert 7-pole socket	SAI-M23-BE-7	1	1170040000

Contacts must be ordered separately.

**12-pole**

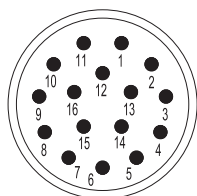
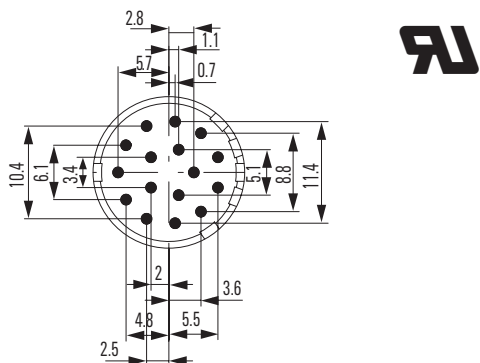


**Ordering data**

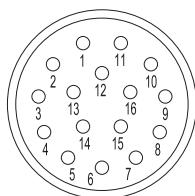
	Type	Qty.	Order No.
Insert 12-pole male	SAI-M23-SE-12	1	1170070000
Insert 12-pole socket	SAI-M23-BE-12	1	1995850000
Reverse flow socket	SAI-M23-BE-12-G	1	1296730000

Contacts must be ordered separately.

16-pole



Male insert on plug side



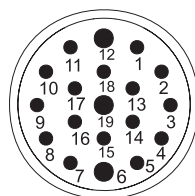
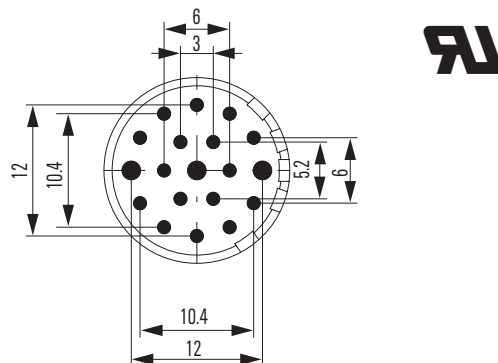
Female insert on plug side

Ordering data

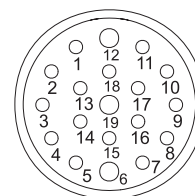
Type	Qty.	Order No.
Insert 16-pole male	1	1170080000
Insert 16-pole socket	1	1170090000

Contacts must be ordered separately.

19-pole



Male insert on plug side



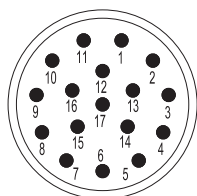
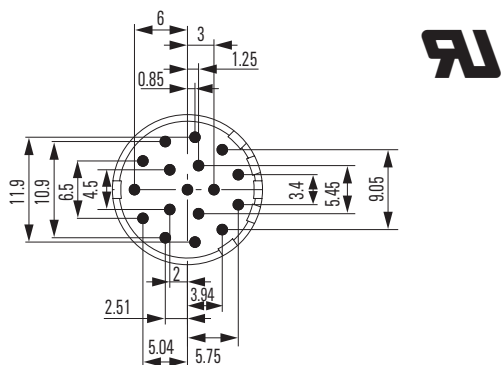
Female insert on plug side

Ordering data

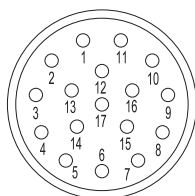
Type	Qty.	Order No.
Insert 19-pole male	1	1170120000
Insert 19-pole socket	1	1170130000

Contacts must be ordered separately.

17-pole



Male insert on plug side



Female insert on plug side

Ordering data

Type	Qty.	Order No.
Insert 17-pole male	1	1170100000
Insert 17-pole socket	1	1170110000

Contacts must be ordered separately.

Number of contacts required per application

Signal connectors	1 mm contact	1.5 mm contact	2 mm contact
6-pole			6
7-pole			7
9-pole	8		1
12-pole	12		
16-pole	16		
17-pole	17		
19-pole	16	3	

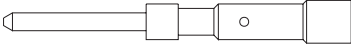
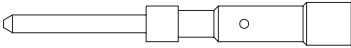
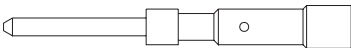
Contacts for signal connectors cannot be used in applications of power plug connectors, and vice versa.



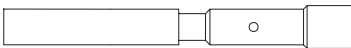
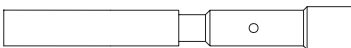
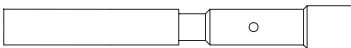
## M23 connector for signal transmission

## Contacts

## Male 1 mm

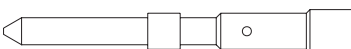
Core cross-section: 0.08 mm<sup>2</sup> to 0.50 mm<sup>2</sup>Core cross-section: 0.14 mm<sup>2</sup> to 1.00 mm<sup>2</sup>Core cross-section: 1.00 mm<sup>2</sup> to 1.50 mm<sup>2</sup>

## Female 1 mm

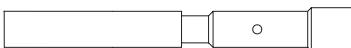
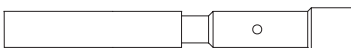
Core cross-section: 0.08 mm<sup>2</sup> to 0.50 mm<sup>2</sup>Core cross-section: 0.34 mm<sup>2</sup> to 1.00 mm<sup>2</sup>Core cross-section: 1.00 mm<sup>2</sup> to 1.50 mm<sup>2</sup>

with integrated SLS® technology

## Male 1.5 mm

Core cross-section: 0.14 mm<sup>2</sup> to 1.00 mm<sup>2</sup>

## Female 1.5 mm

Core cross-section: 0.14 mm<sup>2</sup> to 0.50 mm<sup>2</sup>Core cross-section: 0.50 mm<sup>2</sup> to 1.00 mm<sup>2</sup>

with integrated SLS® technology

## Ordering data



	Type	Qty.	Order No.
1.0 mm male (0.08-0.56)	SAI-M23-KSC-0.08/0.56	50	1170140000

1.0 mm male (0.14-1.00)	SAI-M23-KSC-0.14/1.00	50	1170150000
-------------------------	-----------------------	----	------------

1.0 mm male (1.00-1.50)	SAI-M23-KSC-1.00-1.5	50	1170170000
-------------------------	----------------------	----	------------

## Ordering data

	Type	Qty.	Order No.
1.0 mm socket (0.08-0.56)	SAI-M23-KBC-0.08/0.56	50	1995860000

1.0 mm socket (0.34-1.00)	SAI-M23-KBC-0.34/1.00	50	1170180000
---------------------------	-----------------------	----	------------

1.0 mm socket (1.00-1.50)	SAI-M23-KBC-1.00-1.5	50	1170210000
---------------------------	----------------------	----	------------

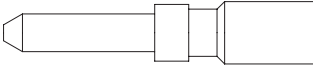
## Ordering data

	Type	Qty.	Order No.
1.5 mm male (0.14-1.00)	SAI-M23-KSC-1.5-0.14-1	50	1170220000

## Ordering data

	Type	Qty.	Order No.
1.5 mm socket (0.14-0.56)	SAI-M23-KBC-1.5-.14-.56	50	1170230000

1.5 mm socket (0.56-1.00)	SAI-M23-KBC-1.5-.56-1.0	50	1170240000
---------------------------	-------------------------	----	------------

**Male 2 mm**Core cross-section: 0.75 mm<sup>2</sup> to 2.00 mm<sup>2</sup>**Female 2 mm**Core cross-section: 0.75 mm<sup>2</sup> to 2.00 mm<sup>2</sup>**Ordering data**

Type	Qty.	Order No.
2.0 mm male (0.75-2.00)	50	1170250000

**Ordering data**

Type	Qty.	Order No.
2.0 mm socket (0.75-2.00)	50	1170260000

**Number of contacts required per application**

Signal connectors			
Type	1 mm contact	1.5 mm contact	2 mm contact
6-pole			6
7-pole			7
9-pole	8		1
12-pole	12		
16-pole	16		
17-pole	17		
19-pole	16	3	

Contacts for signal connectors cannot be used in applications of power plug connectors, and vice versa.

## M23 - Solder inserts

Today, PCB connectors are used in many areas of mechanical engineering. They are used anywhere where harsh environmental conditions require a device design with especially reliable connections.

All of the components in the M23 plug-in connector series are perfectly coordinated to one another, making design and assembly significantly easier.

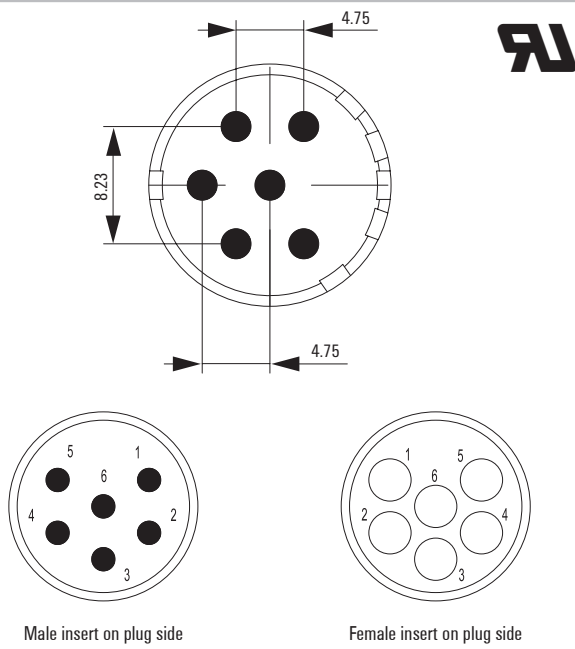
### Benefits of our PCB connectors:

- Solder cup and print contact versions
- Many different numbers of poles:
  - 6-pole
  - 7-pole
  - 9-pole
  - 12-pole
  - 16-pole
  - 17-pole
  - 19-pole



Inserts with solder contacts

6-pole



Mounting schemes illustrate installation in enclosures (see the following pages).

Technical data

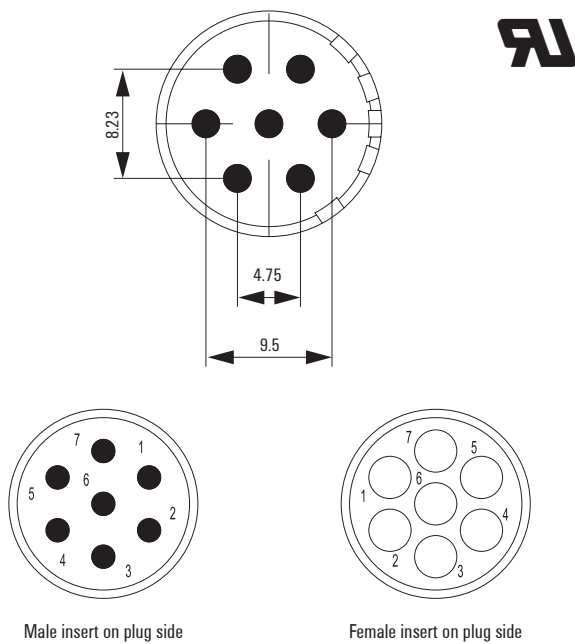
No. of poles	6
Contact number / diameter	6 x 2 mm

Ordering data

Pinout clockwise	Type	Qty.	Order No.
Male, solder pin, 3.5 mm	SAI-M23-SE-6-3.5mm	1	1224020000
Female, solder pin 10 mm	SAI-M23-BE-6-10mm	1	1224030000
Male, solder pin 10 mm	SAI-M23-SE-6-10mm	1	1224050000
Male, solder pin, 17 mm	SAI-M23-SE-6-17mm	1	1224060000
Female, solder pin, 17 mm	SAI-M23-BE-6-17mm	1	1224040000

PCB hole-Ø: 1.5 mm

7-pole



Mounting schemes illustrate installation in enclosures (see the following pages).

Technical data

No. of poles	7
Contact number / diameter	7 x 2 mm

Ordering data

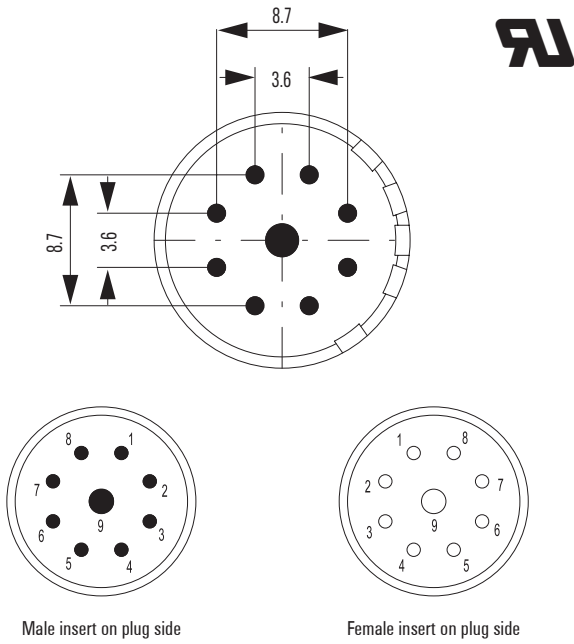
Pinout clockwise	Type	Qty.	Order No.
Male, solder cup	SAI-M23-SE-7-F	1	1224070000
Female, solder cup	SAI-M23-BE-7-F	1	1224080000
Male, solder pin, 3.5 mm	SAI-M23-SE-7-3.5mm	1	1224090000
Female, solder pin 10 mm	SAI-M23-BE-7-10mm	1	1224100000
Male, solder pin 10 mm	SAI-M23-SE-7-10mm	1	1224120000
Male, solder pin, 17 mm	SAI-M23-SE-7-17mm	1	1224130000
Female, solder pin, 17 mm	SAI-M23-BE-7-17mm	1	1224110000

PCB hole-Ø: 0.8 mm (1.2 mm at 17 mm socket)

## M23 connector for signal transmission

### Inserts with solder contacts

#### 9-pole



Mounting schemes illustrate installation in enclosures (see the following pages).

#### Technical data

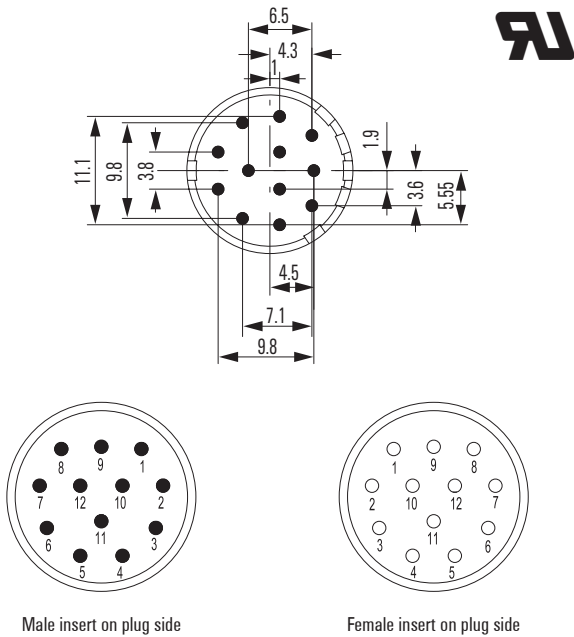
No. of poles	9
Contact number / diameter	8 x 1 mm + 1 x 2 mm

#### Ordering data

Pinout clockwise	Type	Qty.	Order No.
Male, solder cup	SAI-M23-SE-9-F	1	1224490000
Female, solder cup	SAI-M23-BE-9-F	1	1224500000
Male, solder pin, 3.5 mm	SAI-M23-SE-9-3.5mm	1	1224510000
Male, solder pin 10 mm	SAI-M23-SE-9-10mm	1	1224540000
Female, solder pin 10 mm	SAI-M23-BE-9-10mm	1	1224520000
Male, solder pin, 17 mm	SAI-M23-SE-9-17mm	1	1224550000
Female, solder pin, 17 mm	SAI-M23-BE-9-17mm	1	1224530000
Pinout counter clockwise			
Male, solder cup	SAI-M23-SE-9-F-G	1	1224730000
Female, solder cup	SAI-M23-BE-9-F-G	1	1224740000
Male, solder pin 10 mm	SAI-M23-SE-9-10mm-G	1	1224770000
Female, solder pin 10 mm	SAI-M23-BE-9-10mm-G	1	1224750000
Male, solder pin, 17 mm	SAI-M23-SE-9-17mm-G	1	1224780000
Female, solder pin, 17 mm	SAI-M23-BE-9-17mm-G	1	1224760000

PCB hole-Ø: 1 mm contact = 0.8 mm (1.2 mm at 17 mm socket)  
2 mm contact = 1.5 mm

#### 12-pole



Mounting schemes illustrate installation in enclosures (see the following pages).

#### Technical data

No. of poles	12
Contact number / diameter	12 x 1 mm

#### Ordering data

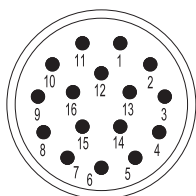
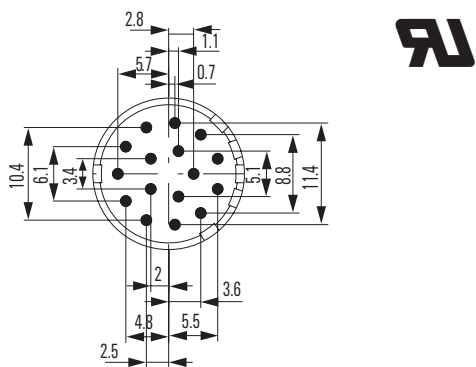
Pinout clockwise	Type	Qty.	Order No.
Male, solder cup	SAI-M23-SE-12-F	1	1224140000
Female, solder cup	SAI-M23-BE-12-F	1	1224150000
Male, solder pin, 3.5 mm	SAI-M23-SE-12-3.5mm	1	1224160000
Male, solder cup, 3.5 mm, with PE contact pin 9	SAI-M23-SE-12-F-PE	1	1224180000
Female, solder cup 3.5 mm, with PE contact pin 9	SAI-M23-BE-12-F-PE	1	1224190000
Male, solder pin, 10 mm	SAI-M23-SE-12-10mm	1	1224220000
Female, solder pin, 10 mm	SAI-M23-BE-12-10mm	1	1224170000
Male, solder pin, 17 mm	SAI-M23-SE-12-17mm	1	1224230000
Female, solder pin, 17 mm	SAI-M23-BE-12-17mm	1	1224210000
Pinout counter clockwise			
Male, solder cup	SAI-M23-SE-12-F-G	1	1224560000
Female, solder cup	SAI-M23-BE-12-F-G	1	1224570000
Male, solder pin, 3.5 mm	SAI-M23-SE-12-3.5mm-G	1	1224580000
Male, solder pin, 10 mm	SAI-M23-SE-12-10mm-G	1	1224630000
Female, solder pin, 10 mm	SAI-M23-BE-12-10mm-G	1	1224590000
Male, solder cup, 10 mm, with PE contact pin 9	SAI-M23-SE-12-10mm-PE-G	1	1224620000
Female, solder cup, 10 mm, with PE contact pin 9	SAI-M23-BE-12-10mm-PE-G	1	1224610000
Male, Solder pin, 17 mm	SAI-M23-SE-12-17mm-G	1	1224640000

PCB hole-Ø: 0.8 mm (1.2 mm at 17 mm socket)

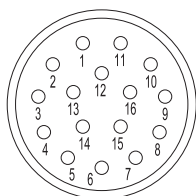


Inserts with solder contacts

16-pole



Male insert on plug side



Female insert on plug side

Mounting schemes illustrate installation in enclosures (see the following pages).

Technical data

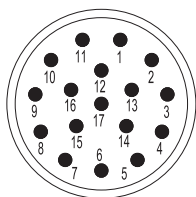
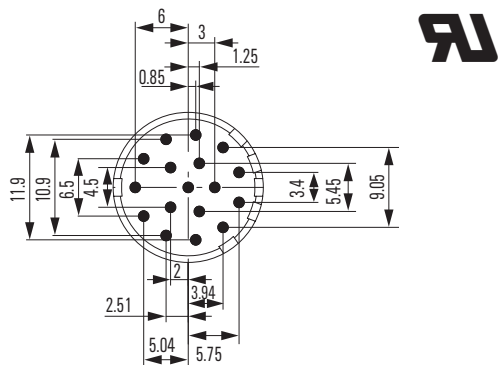
No. of poles	16
Contact number / diameter	6 x 1 mm

Ordering data

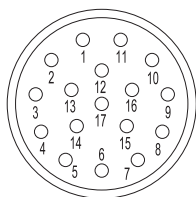
Pinout clockwise	Type	Qty.	Order No.
Male, solder cup	SAI-M23-SE-16-F	1	1224240000
Female, solder cup	SAI-M23-BE-16-F	1	1224250000
Male, solder pin, 3.5 mm	SAI-M23-SE-16-3.5mm	1	1224260000
Female, solder pin 10 mm	SAI-M23-BE-16-10mm	1	1224270000
Male, solder pin 10 mm	SAI-M23-SE-16-10mm	1	1224290000
Male, solder pin, 17 mm	SAI-M23-SE-16-17mm	1	1224310000
Female, solder pin, 17 mm	SAI-M23-BE-16-17mm	1	1224280000

PCB hole-Ø: 0.8 mm (1.2 mm at 17 mm socket)

17-pole



Male insert on plug side



Female insert on plug side

Mounting schemes illustrate installation in enclosures (see the following pages).

Technical data

No. of poles	17
Contact number / diameter	17 x 1 mm

Ordering data

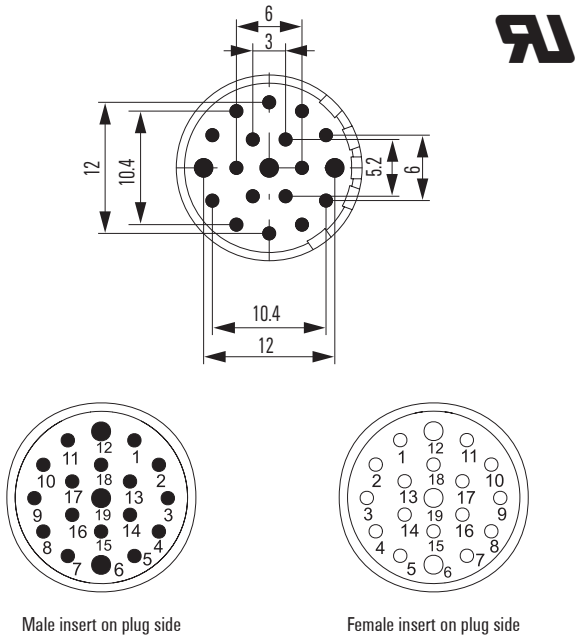
Pinout clockwise	Type	Qty.	Order No.
Male, solder cup	SAI-M23-SE-17-F	1	1224320000
Female, solder cup	SAI-M23-BE-17-F	1	1224330000
Male, solder pin, 3.5 mm	SAI-M23-SE-17-3.5mm	1	1224340000
Male, solder pin 10 mm	SAI-M23-SE-17-10mm	1	1224370000
Female, solder pin 10 mm	SAI-M23-BE-17-10mm	1	1224350000
Male, solder pin, 17 mm	SAI-M23-SE-17-17mm	1	1224380000
Female, solder pin, 17 mm	SAI-M23-BE-17-17mm	1	1224360000
Pinout counter clockwise			
Male, solder cup	SAI-M23-SE-17-F-G	1	1224650000
Female, solder cup	SAI-M23-BE-17-F-G	1	1224660000
Male, solder pin, 3.5 mm	SAI-M23-SE-17-3.5mm-G	1	1224670000
Male, solder pin 10 mm	SAI-M23-SE-17-10mm-G	1	1224710000
Female, solder pin 10 mm	SAI-M23-BE-17-10mm-G	1	1224680000
Male, solder pin, 17 mm	SAI-M23-SE-17-17mm-G	1	1224720000
Female, solder pin, 17 mm	SAI-M23-BE-17-17mm-G	1	1224690000

PCB hole-Ø: 0.8 mm (1.2 mm at 17 mm socket)

M23 connector for signal transmission

Inserts with solder contacts

19-pole



Technical data

No. of poles	19
Contact number / diameter	16 x 1 mm + 3 x 1.5 mm

Ordering data

Pinout clockwise	Type	Qty.	Order No.
Male, solder cup	SAI-M23-SE-19-F	1	1224390000
Female, solder cup	SAI-M23-BE-19-F	1	1224400000
Male, solder pin, 3.5 mm	SAI-M23-SE-19-3.5mm	1	1224410000
Male, solder cup, 3.5 mm, with PE contact pin 12	SAI-M23-SE-19-3.5mmPE12	1	1224460000
Female, solder cup 3.5 mm, with PE contact pin 12	SAI-M23-BE-19-3.5mm-PE	1	1224440000
Male, solder pin, 10 mm	SAI-M23-SE-19-10mm	1	1224470000
Female, solder pin, 10 mm	SAI-M23-BE-19-10mm	1	1224420000
Male, solder cup, 10 mm, with PE contact pin 12	SAI-M23-SE-19-10mm-PE	1	1224430000
Male, solder pin, 17 mm	SAI-M23-SE-19-17mm	1	1224480000
Female, solder pin, 17 mm	SAI-M23-BE-19-17mm	1	1224450000

Mounting schemes illustrate installation in enclosures (see the following pages).

PCB hole-Ø: 1 mm contact = 0.8 mm (1.2 mm at 17 mm socket)  
1.5 mm contact = 1.5 mm



M23 connector for signal transmission

Overview of inserts and housings

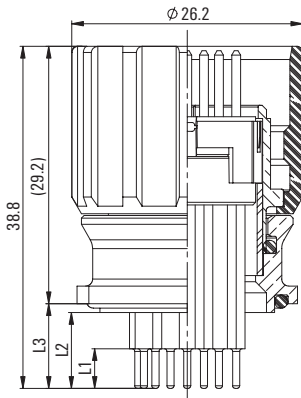
This table shows the different combination possibilities of the inserts and solder pins, with housings.

Solder pin affiliation

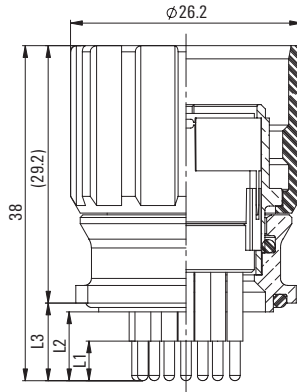
Type	Order No.	Solder pin affiliation	
		10 mm	17 mm
SAIE-M23-S-VW	1169940000	X	X
SAIE-M23-S-RM	1169950000		X
SAIE-M23-S-EM	1169970000		X
SAIE-M23-S-HW	1169990000	X	X

Device connector with knurled nut

Male insert



Female insert



Male insert	L1	L2	L3
10 mm	-	-	-
17 mm	4.5	8.6	9.6

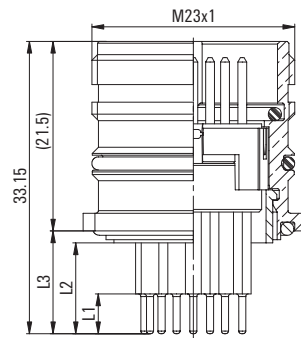
Female insert	L1	L2	L3
10 mm	-	-	-
17 mm	4.5	7.8	8.8

Ordering data

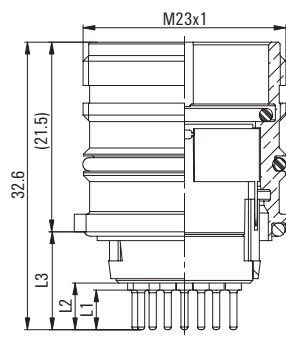
Type	Qty.	Order No.
SAIE-M23-S-RM	1	1169950000

Device connector (front panel)

Male insert



Female insert



Male insert	L1	L2	L3
10 mm	4.5	10.3	11.65
17 mm	4.5	17.3	18.65

Female insert	L1	L2	L3
10 mm	4.5	5.3	11.1
17 mm	4.5	12.3	18.1

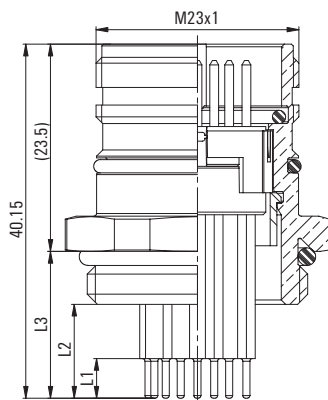
Ordering data

Type	Qty.	Order No.
SAIE-M23-S-VW	1	1169940000



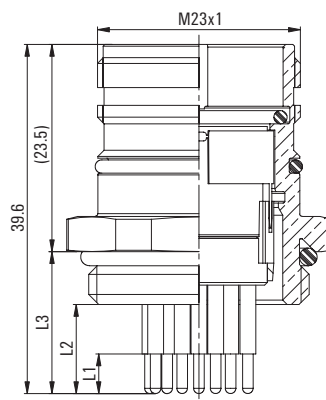
**Device connector (single-hole mount)**

Male insert



Male insert	L1	L2	L3
10 mm	-	-	-
17 mm	4.5	10.65	16.65

Female insert



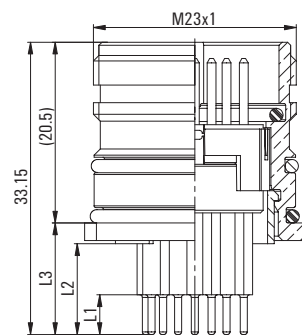
Female insert	L1	L2	L3
10 mm	-	-	-
17 mm	4.5	10.1	16.1

**Ordering data**

Type	Qty.	Order No.
SAIE-M23-S-EM	1	1169970000

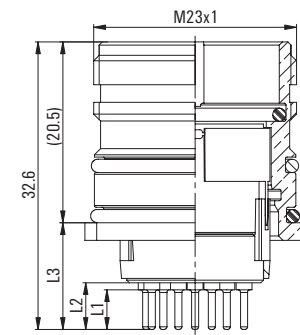
**Device connector (back panel)**

Male insert



Male insert	L1	L2	L3
10 mm	4.5	10.3	12.65
17 mm	4.5	17.3	19.65

Female insert



Female insert	L1	L2	L3
10 mm	4.5	5.3	12.1
17 mm	4.5	12.3	19.1

**Ordering data**

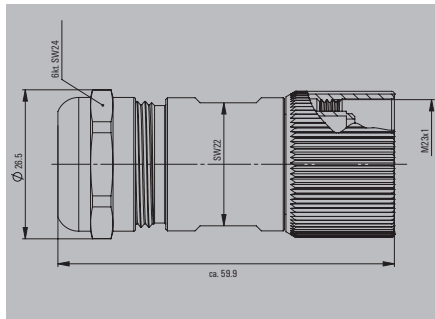
Type	Qty.	Order No.
SAIE-M23-S-HW	1	1169990000

**M23 connector Stainless steel**

**Stainless steel enclosure**

For cables with outer diameter: 7 - 12 mm

**Cable connector for signal transmission**

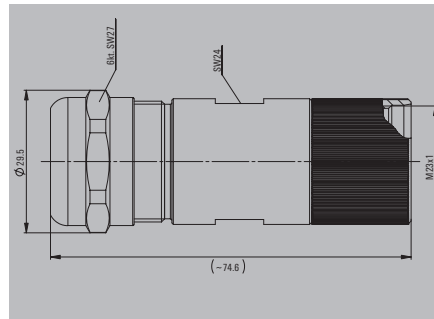


**Ordering data**

Type	Qty.	Order No.
SAI-M23-GS-7/12-VA	1	1452440000

Inserts and contacts must be ordered separately.

**Cable connector for power transmission**



**Ordering data**

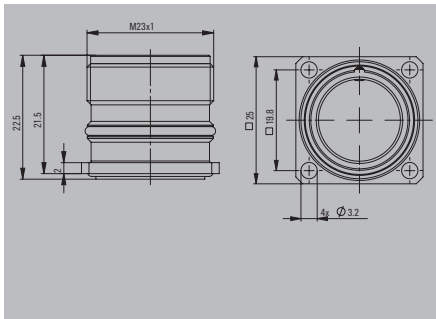
Type	Qty.	Order No.
SAI-M23-GS-L-7/12-VA	1	1479410000

Inserts and contacts must be ordered separately.

Device connector housing stainless steel

Device connector for signal transmission

Front panel



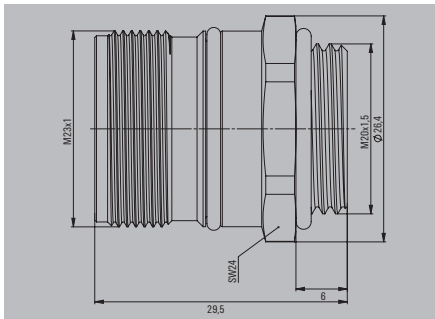
Ordering data

Type	Qty.	Order No.
SAIE-M23-S-VW-VA	1	1452450000

Inserts and contacts must be ordered separately.

Device connector for signal transmission

Single hole



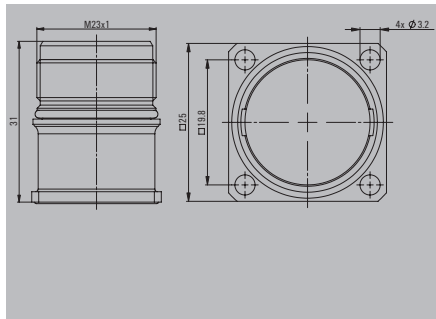
Ordering data

Type	Qty.	Order No.
SAIE-M23-S-EM-VA	1	1479400000

Inserts and contacts must be ordered separately.

Device connector for power transmission

Front panel



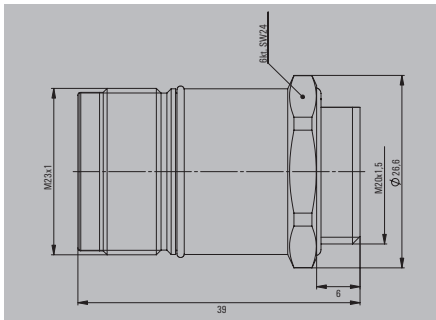
Ordering data

Type	Qty.	Order No.
SAIE-M23-L-VW-VA	1	1483880000

Inserts and contacts must be ordered separately.

Device connector for power transmission

Single hole



Ordering data

Type	Qty.	Order No.
SAIE-M23-L-EM-VA	1	1479420000

Inserts and contacts must be ordered separately.

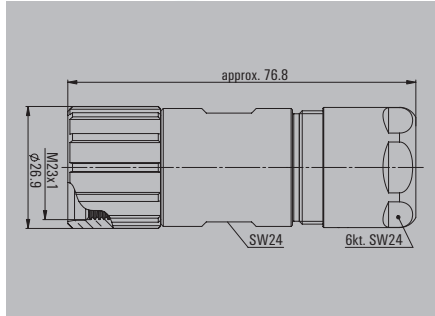


**M23 connector for power transmission**

**Housing**

For cables with outer diameter: 7 - 12 mm

**Cable plug-in connector**

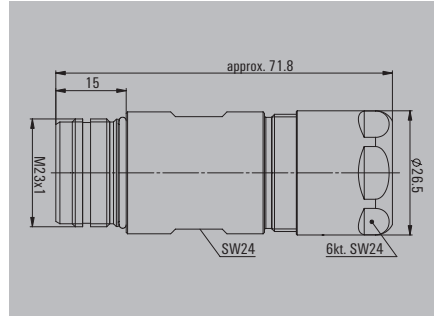


**Ordering data**

Type	Qty.	Order No.
SAI-M23-GS-L-7/12	1	1995800000

Inserts and contacts must be ordered separately

**Coupling plug-in connector**

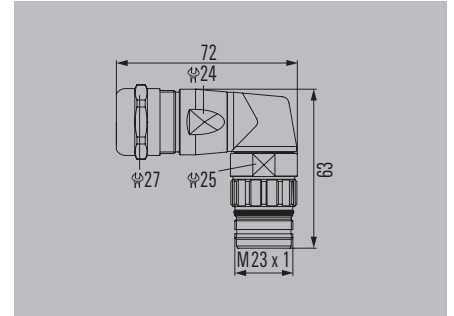


**Ordering data**

Type	Qty.	Order No.
SAI-M23-KS-L-7/12	1	1170270000

Inserts and contacts must be ordered separately

**Angle plug-in connector**

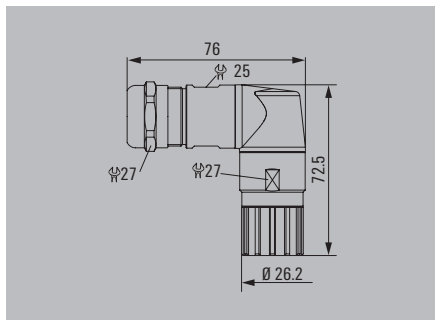


**Ordering data**

Type	Qty.	Order No.
SAI-M23-GSW-L-7/12	1	1170280000

Inserts and contacts must be ordered separately

**Angle plug-in connector coupling**



**Ordering data**

Type	Qty.	Order No.
SAI-M23-KSW-L-7/12	1	1170290000

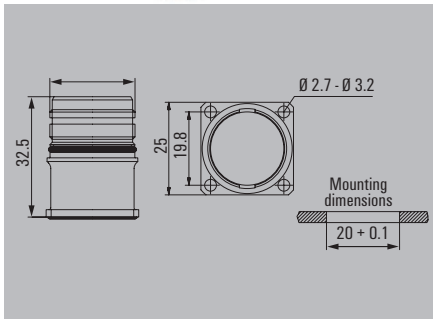
Inserts and contacts must be ordered separately



**Device connector housing**

With 3.2 mm fixing holes

**Device connector (front wall)**

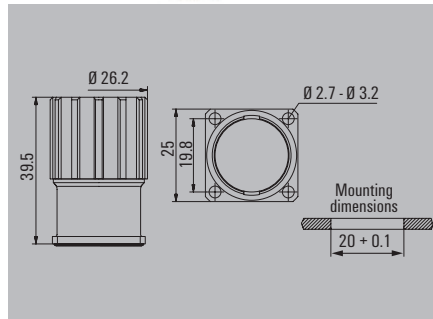
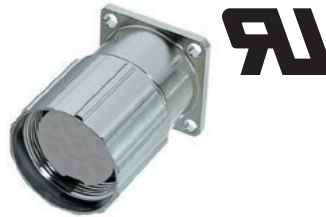


**Ordering data**

Type	Qty.	Order No.
SAIE-M23-L-VW	1	1170300000

Inserts and contacts must be ordered separately

**Device connector with knurled nut**

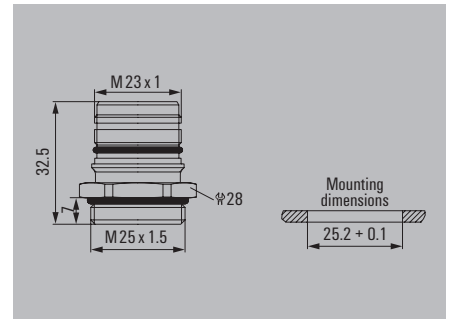


**Ordering data**

Type	Qty.	Order No.
SAIE-M23-L-RM	1	1170310000

Inserts and contacts must be ordered separately  
Assembly tool: 1238870000

**Device connector, single-hole mount**

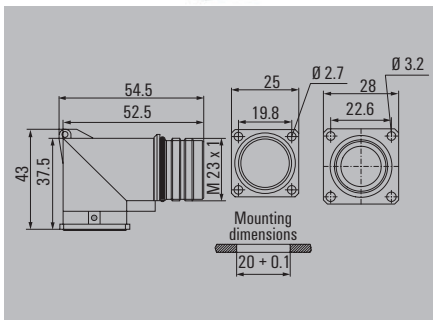


**Ordering data**

Type	Qty.	Order No.
SAIE-M23-L-EM	1	1170320000

Inserts and contacts must be ordered separately

**Device connector, angled**

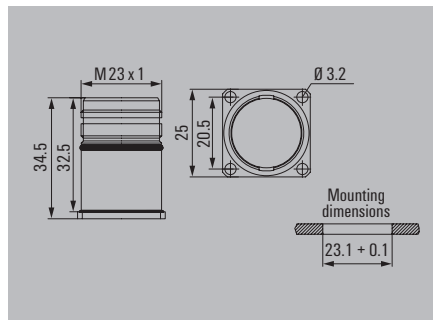
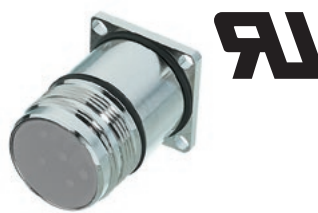


**Ordering data**

Type	Qty.	Order No.
SAIE-M23-L-W 25X25	1	1170330000

Inserts and contacts must be ordered separately

**Device connector, rear wall**



**Ordering data**

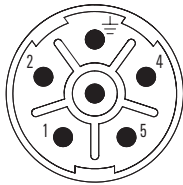
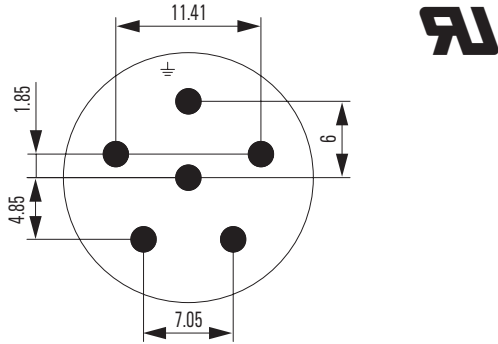
Type	Qty.	Order No.
SAIE-M23-L-HW	1	1170340000

Inserts and contacts must be ordered separately

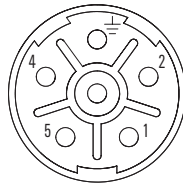
**M23 connector for power transmission**

**Inserts**

**5 + PE**



6 times male, 2 mm



6 times female, 2 mm

**Ordering data**

	Type	Qty.	Order No.
6 times male 2 mm	SAHM23-SEL-6	1	1170350000
6 times female, 2 mm	SAHM23-BEL-6	1	1170370000

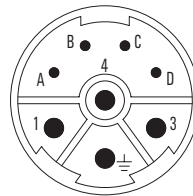
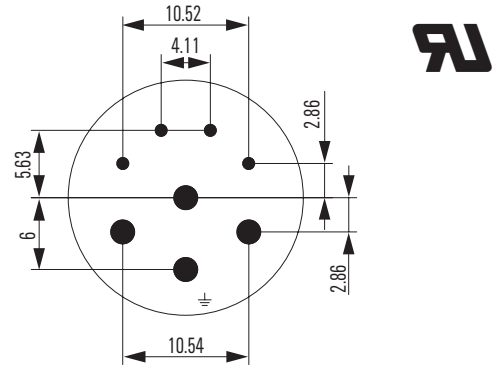
Contacts must be ordered separately.

**Contact partitioning**

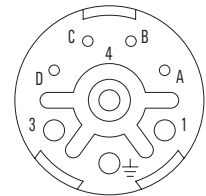
Power connectors			
Type	1 mm contact	1.5 mm contact	2 mm contact
6-pole			6
4+4-pole	4		4

Contacts for signal plugs cannot be used in inserts for power plugs and vice versa.

**4/4**



4 times 1-mm male and 4 times 2-mm male



4 times 1-mm female and 4 times 2-mm female

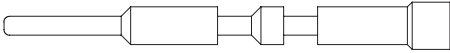
**Ordering data**

	Type	Qty.	Order No.
4 times 1-mm male and 4 times 2-mm male	SAHM23-SEL-4/4	1	1170380000
4 times 1-mm female and 4 times 2-mm female	SAHM23-BEL-4/4	1	1995810000

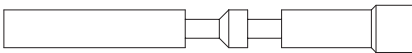
Contacts must be ordered separately.

## Contacts

## Male 1 mm

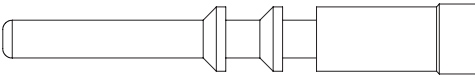
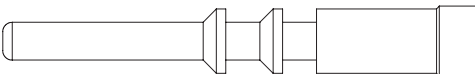
0.25 mm<sup>2</sup> to 1.00 mm<sup>2</sup>

## Female 1 mm

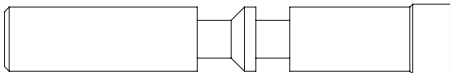
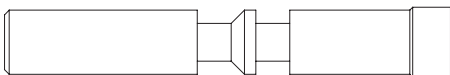
0.25 mm<sup>2</sup> to 1.00 mm<sup>2</sup>

with integrated SLS® technology

## Male 2 mm

0.75 mm<sup>2</sup> to 2.50 mm<sup>2</sup>2.50 mm<sup>2</sup> to 4.00 mm<sup>2</sup>

## Female 2 mm

0.75 mm<sup>2</sup> to 2.50 mm<sup>2</sup>2.50 mm<sup>2</sup> to 4.00 mm<sup>2</sup>

## Ordering data



Type	Qty.	Order No.	
1 mm Male (0.25-1.00)	SAI-M23-KSC-0.25-1.0	50	1170390000

## Ordering data

Type	Qty.	Order No.	
1 mm Socket (0.25-1.00)	SAI-M23-KBC-0.25-1.0	50	1995830000

## Ordering data

Type	Qty.	Order No.	
2 mm Male (0.75-2.5)	SAI-M23-KSC-L-0.75-2.5	50	1170400000

2 mm Male (2.5-4.00)	SAI-M23-KSC-L-2.5-4.0	50	1170410000
----------------------	-----------------------	----	------------

## Ordering data

Type	Qty.	Order No.	
2 mm Socket (0.75-2.5)	SAI-M23-KBC-L-0.75-2.5	50	1995820000

2 mm Socket (2.5-4.00)	SAI-M23-KBC-L-2.5-4.0	50	1170420000
------------------------	-----------------------	----	------------

## Contact partitioning

Power connectors	1 mm contact	1.5 mm contact	2 mm contact
Type			
6-pole			6
4+4-pole	4		4

Contacts for signal plugs cannot be used in inserts for power plugs and vice versa.

M23 protective caps

M23 protective caps

M23 protective cap

Brass, for inner thread  
IP67 / IP69K



Ordering data

Type	Qty.	Order No.
SAI-M23-SK-M	1	1244790000

M23 protective cap

Brass, for inner thread  
IP67 / IP69K



Ordering data

Type	Qty.	Order No.
SAI-M23-SK-M-FS	1	1170810000

M23 protective cap

Plastic, for inner thread  
IP20



Ordering data

Type	Qty.	Order No.
SAI-M23-SK-M-P	1	1408280000

M23 protective cap

Brass, for external thread  
IP67 / IP69K



Ordering data

Type	Qty.	Order No.
SAI-M23-SK-F	1	1416410000

M23 protective cap

Brass, for external thread  
IP67 / IP69K



Ordering data

Type	Qty.	Order No.
SAI-M23-SK-F-FS	1	1417920000

M23 protective cap

Plastic, for external thread  
IP20



Ordering data

Type	Qty.	Order No.
SAI-M23-SK-F-P	1	1408270000

M23 protective caps, stainless steel

M23 protective cap

Stainless steel, for internal thread  
IP67 / IP69K



Ordering data

Type	Qty.	Order No.
SAI-M23-SK-VA-AG	1	2125220000

M23 protective cap

Stainless steel, for internal thread with lanyard  
IP67 / IP69K



Ordering data

Type	Qty.	Order No.
SAI-M23-SK-VA-AG-FS	1	2125950000

M23 protective cap

Brass, for external thread  
IP67 / IP69K



Ordering data

Type	Qty.	Order No.
SAI-M23-SK-VA-IG	1	2124610000

M23 protective cap

Brass, for external thread with lanyard  
IP67 / IP69K



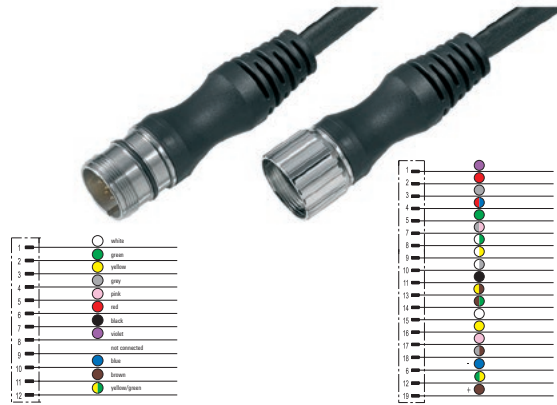
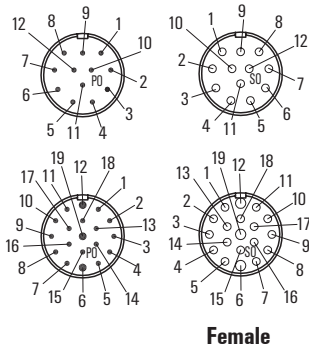
Ordering data

Type	Qty.	Order No.
SAI-M23-SK-VA-IG-FS	1	2124860000



Moulded M23 cables

M23 cables



Ordering data

<b>Male, straight</b>	
with external thread	1 m
<b>Male, angled</b>	
with external thread	1 m
<b>Female, straight</b>	
with internal thread	1 m
<b>Female, angled</b>	
with internal thread	1 m
<b>Note</b>	

	12-pole
SAIS-M23-12P-ST-1,0M	<b>1906290100</b>
SAIS-M23-12P-AN-1,0M	<b>1906290100</b>
SAIB-M23-12P-ST-1,0M	<b>1886440100</b>
SAIB-M23-12P-AN-1,0M	<b>1877440100</b>
Other lengths on request	

	19-pole
SAIS-M23-19P-ST-1,0M	<b>1818160100</b>
SAIS-M23-19P-AN-1,0M	<b>1818090100</b>
SAIB-M23-19P-ST-1,0M	<b>1818180100</b>
SAIB-M23-19P-AN-1,0M	<b>1818140100</b>
Other lengths on request	


K

Standard cable lengths

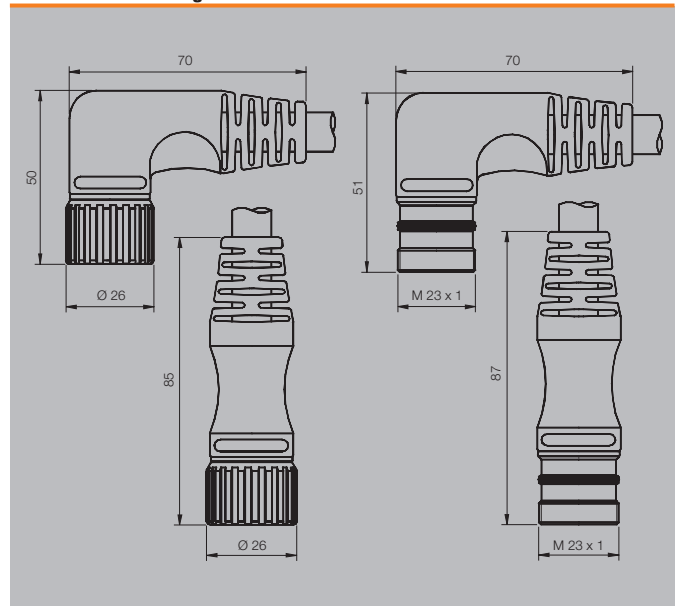
All cables listed in the ordering data have a length of 1.5 metres. The last four ordering digits must be changed when ordering other standard cable lengths.	1.5 m	xxxxxx0150
	3.0 m	xxxxxx0300
	5.0 m	xxxxxx0500
	10.0 m	xxxxxx1000

Technical data

Wire cross section	3 x 0.75 mm <sup>2</sup> + 8 x 0.34 mm <sup>2</sup>
Rated voltage	240 V (12-pole) / 120 V (19-pole)
Rated current	8 A
Temperature range of housing	-25...+80 °C
Contact surface	Gold-plated
Protection degree	IP67
AF size	
Tightening torque	M23: 2.5 Nm
Approvals	CE

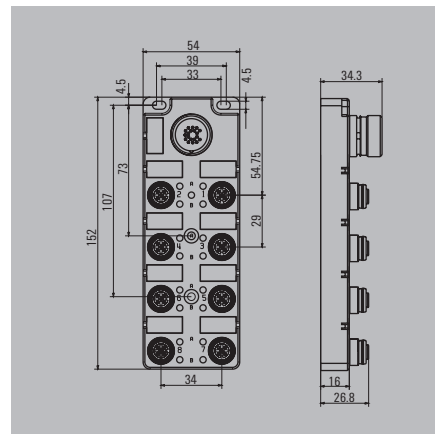
Chapter W includes additional technical specifications for the cable

Dimensioned drawing



**With M23 outlet**

- PNP switching
- With LEDs



**Ordering data**

<b>4-channel</b>	M23 outlet, 12-pole M23 outlet, 19-pole
<b>8-channel</b>	M23 outlet, 12-pole M23 outlet, 19-pole
<b>Note</b>	

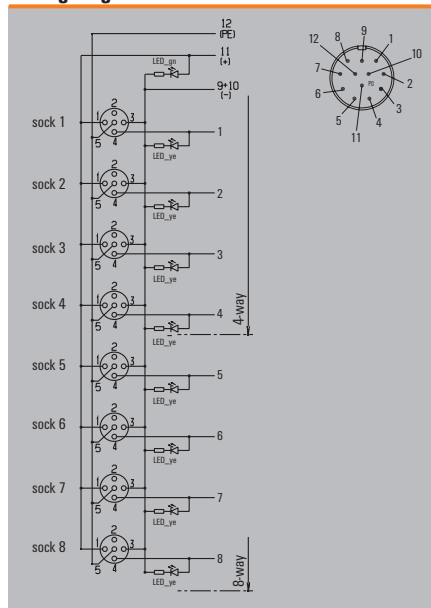
SAI-4/8-S		4-pole
Type	Qty.	Order No.
SAI-4-S 4P FC	1	1847960000
SAI-8-S 4P FC	1	1847920000
Other versions on request		

SAI-4/8-S		5-pole
Type	Qty.	Order No.
SAI-4-S 5P FC	1	1847970000
SAI-8-S 5P FC	1	1848040000
Other versions on request		

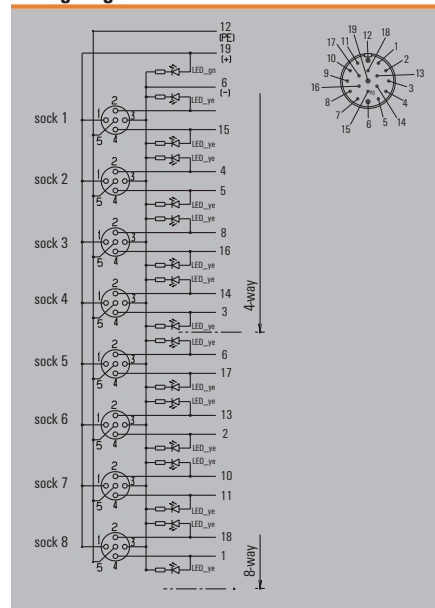
**Technical data**

Operating voltage	10...30 V
Current of continuous busbars	2 A
Max. current-carrying capacity per slot	4 A
Total current	9 A
Pollution severity	3
Protection degree	IP67
Ambient temperature range	-25...80 °C
Housing main material	PA 6 GF
Contact carrier material	PBT (UL 94 V0)
Base material of contacts	CuZn
Screw socket	Nickel-plated CuZn
Housing colour	grey, RAL 7032
Flammability class UL 94	V-0
Clamping range of hood-version	...
Suitable for dragline cable (fixed cable connection)	No

**Wiring diagram**



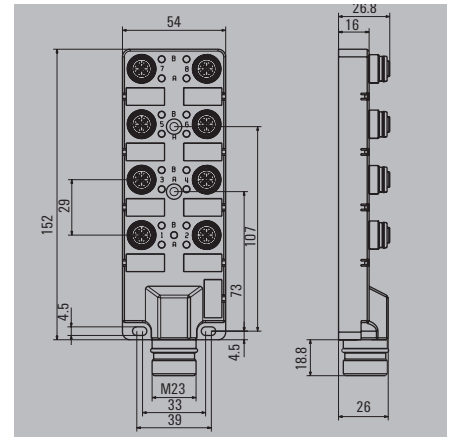
**Wiring diagram**



**SAI distributor M12 with M23**

**With M23 outlet on face end**

- PNP switching
- With LEDs



**Ordering data**

<b>8-channel</b>	M23 outlet, 12-pole M23 outlet, 19-pole
<b>Note</b>	

**SAI-4/8-SH**

**4-pole**

Type	Qty.	Order No.
SAI-8-SH 4P FC	1	1859120000

**SAI-4/8-SH**

**5-pole**

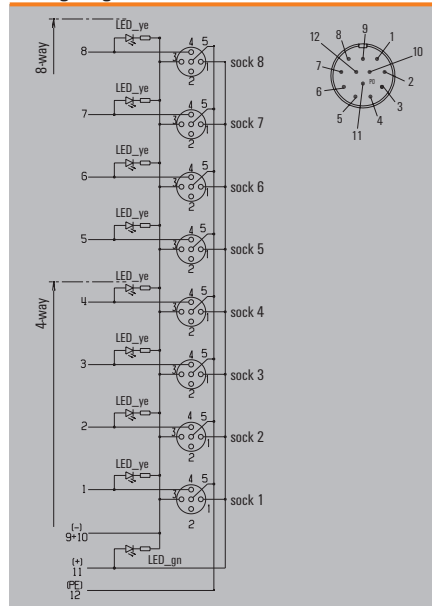
Type	Qty.	Order No.
SAI-8-SH 5P FC	1	1859140000

**K**

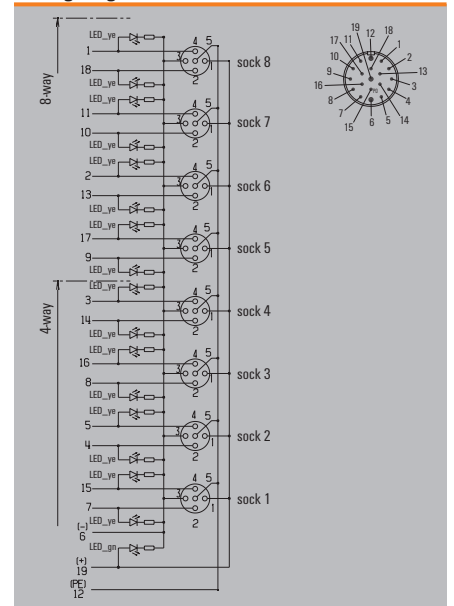
**Technical data**

Operating voltage	10...30 V
Current of continuous busbars	2 A
Max. current-carrying capacity per slot	4 A
Total current	9 A
Pollution severity	3
Protection degree	IP67
Ambient temperature range	-25...80 °C
Housing main material	PA 6 GF
Contact carrier material	PBT (UL 94 V0)
Base material of contacts	CuZn
Screw socket	Nickel-plated CuZn
Housing colour	grey, RAL 7032
Flammability class UL 94	V-0
Clamping range of hood-version	...
Suitable for dragline cable (fixed cable connection)	No

**Wiring diagram**



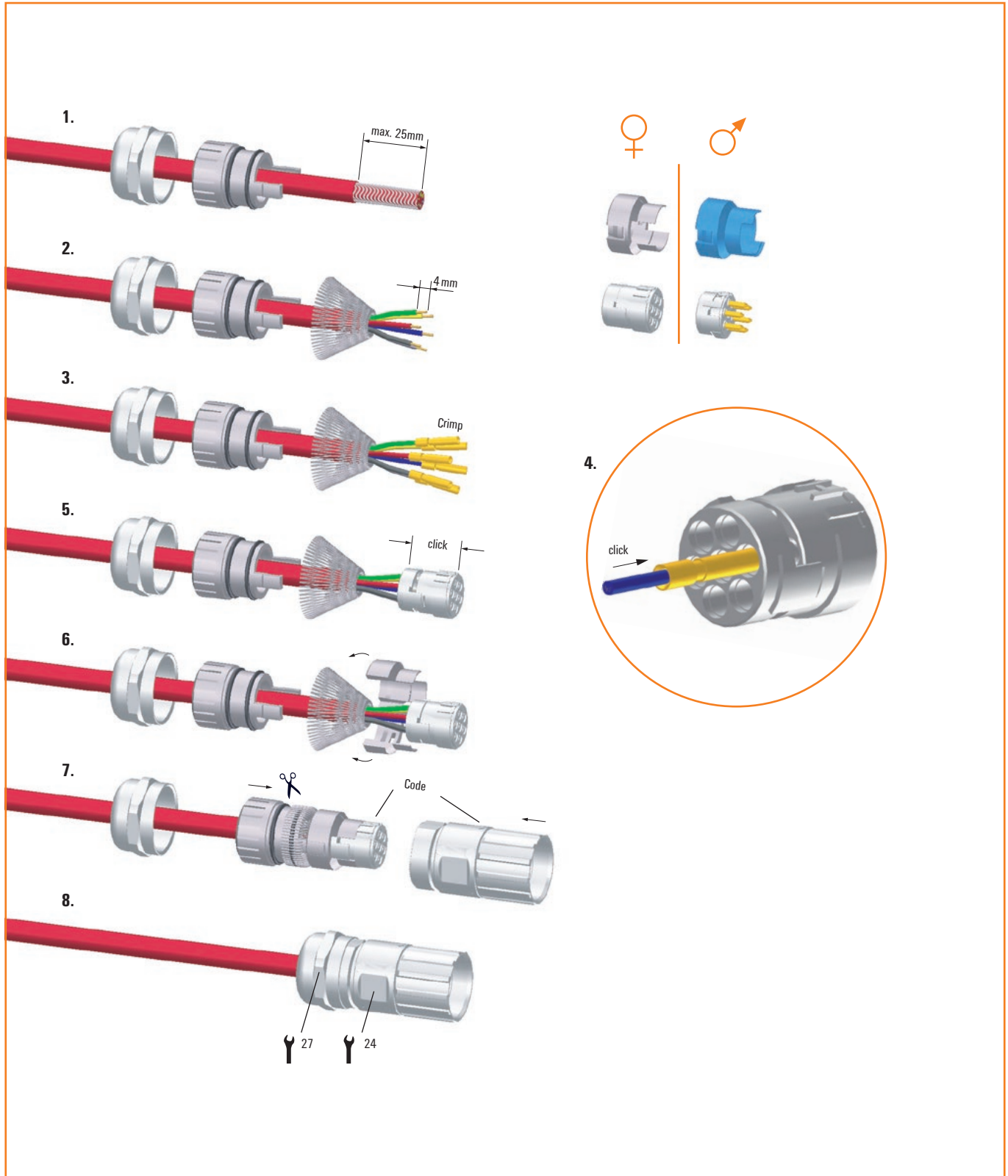
**Wiring diagram**





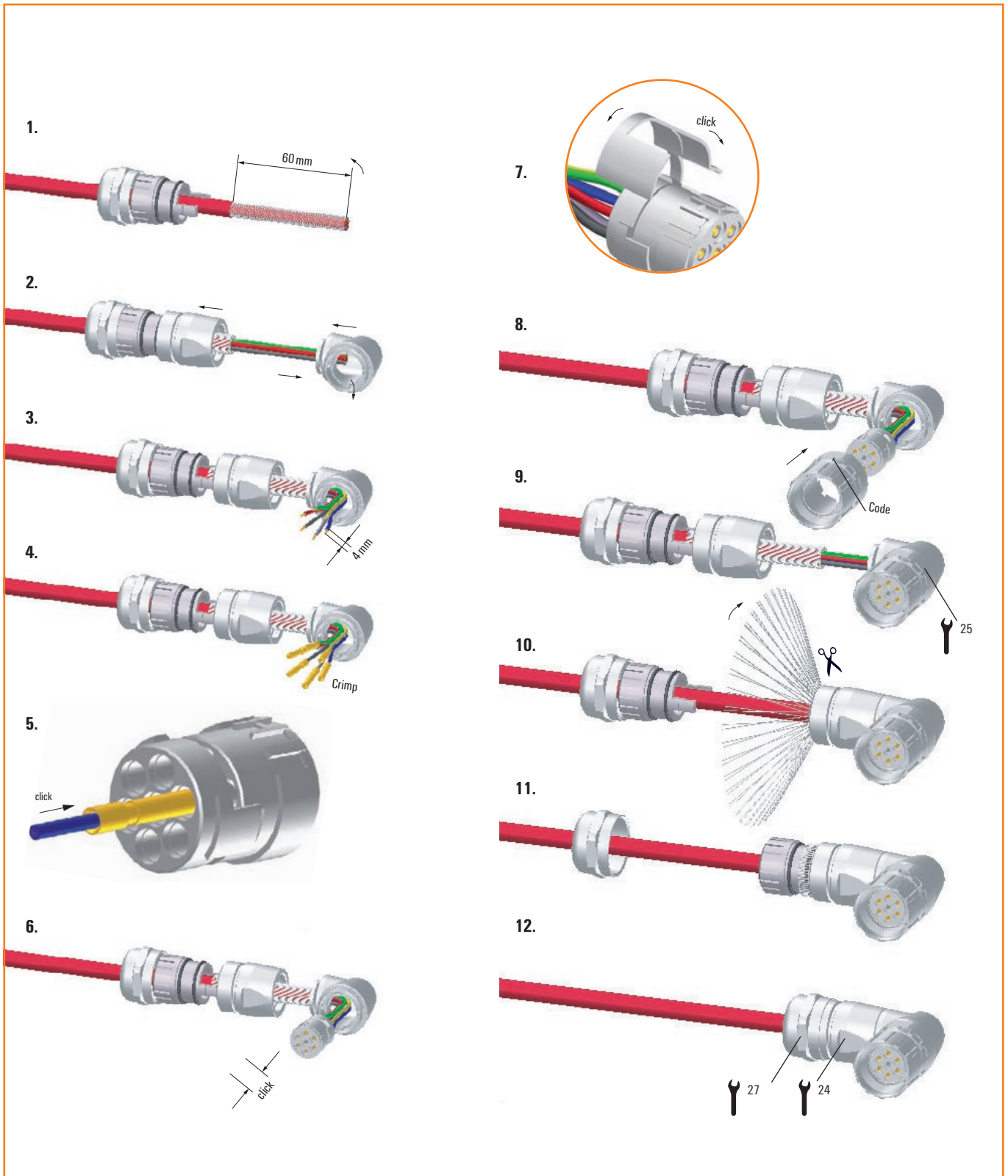


# Cable connector

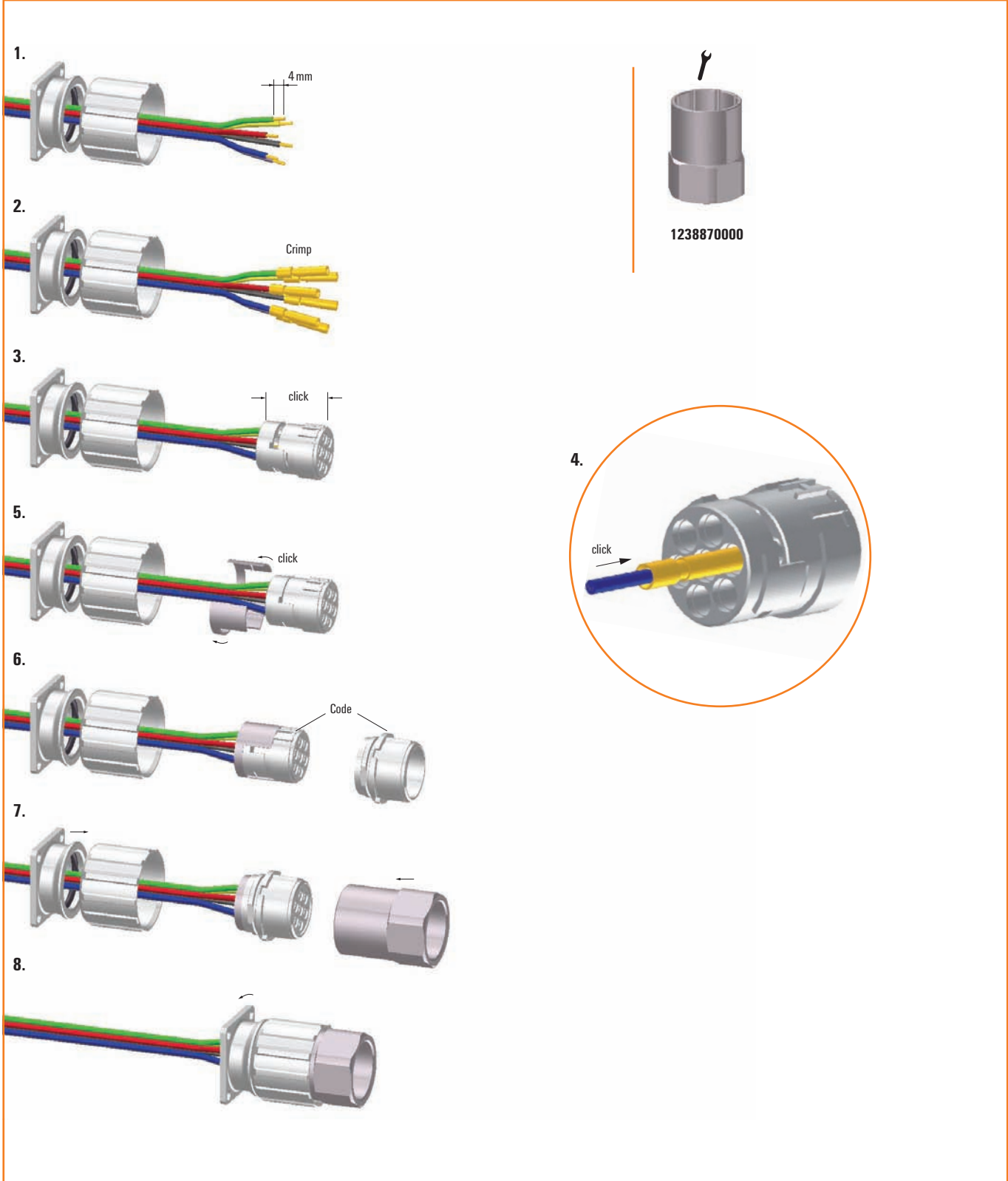


K

# Angled connector

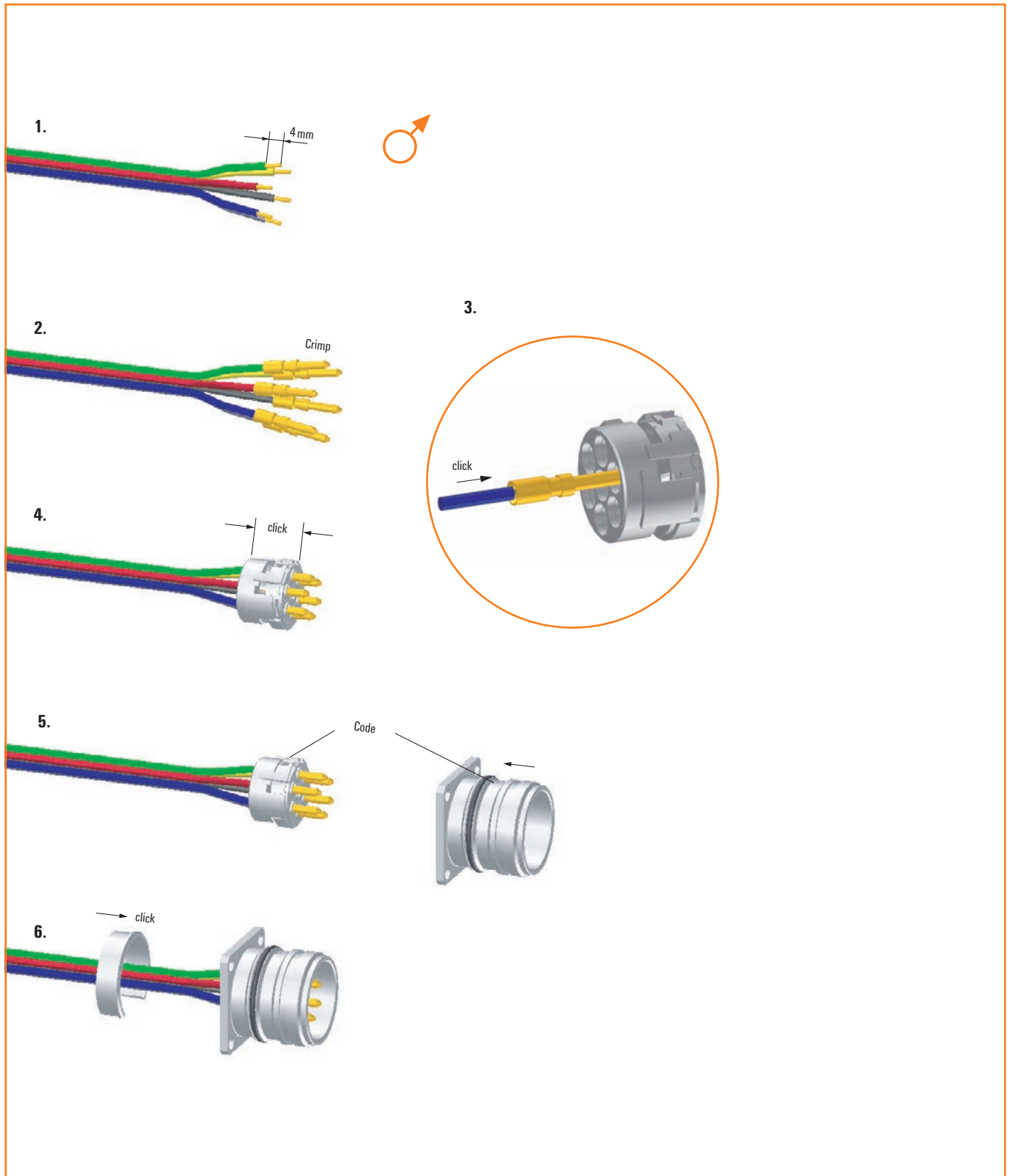


# Device connector with knurled nut



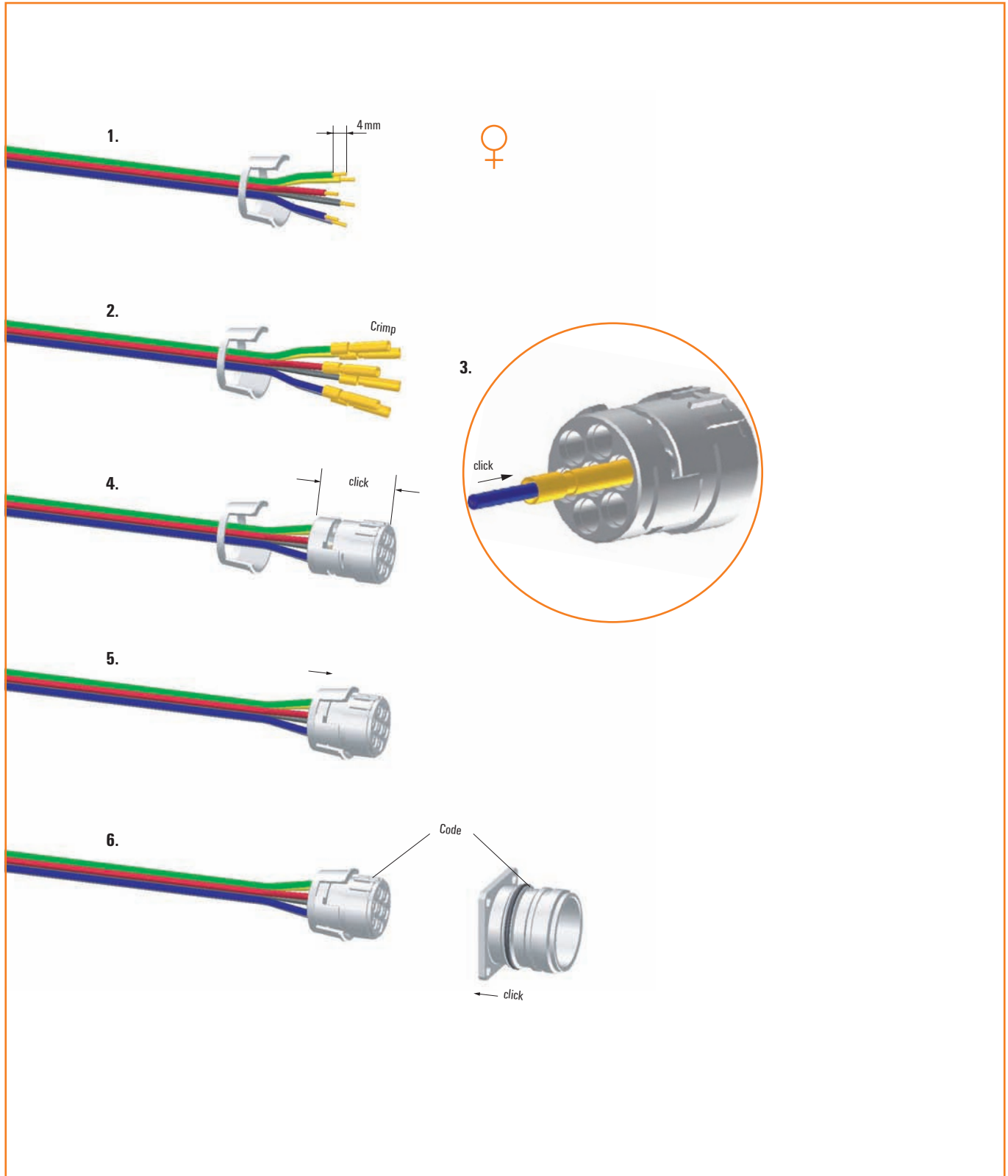
K

# Device connector, male



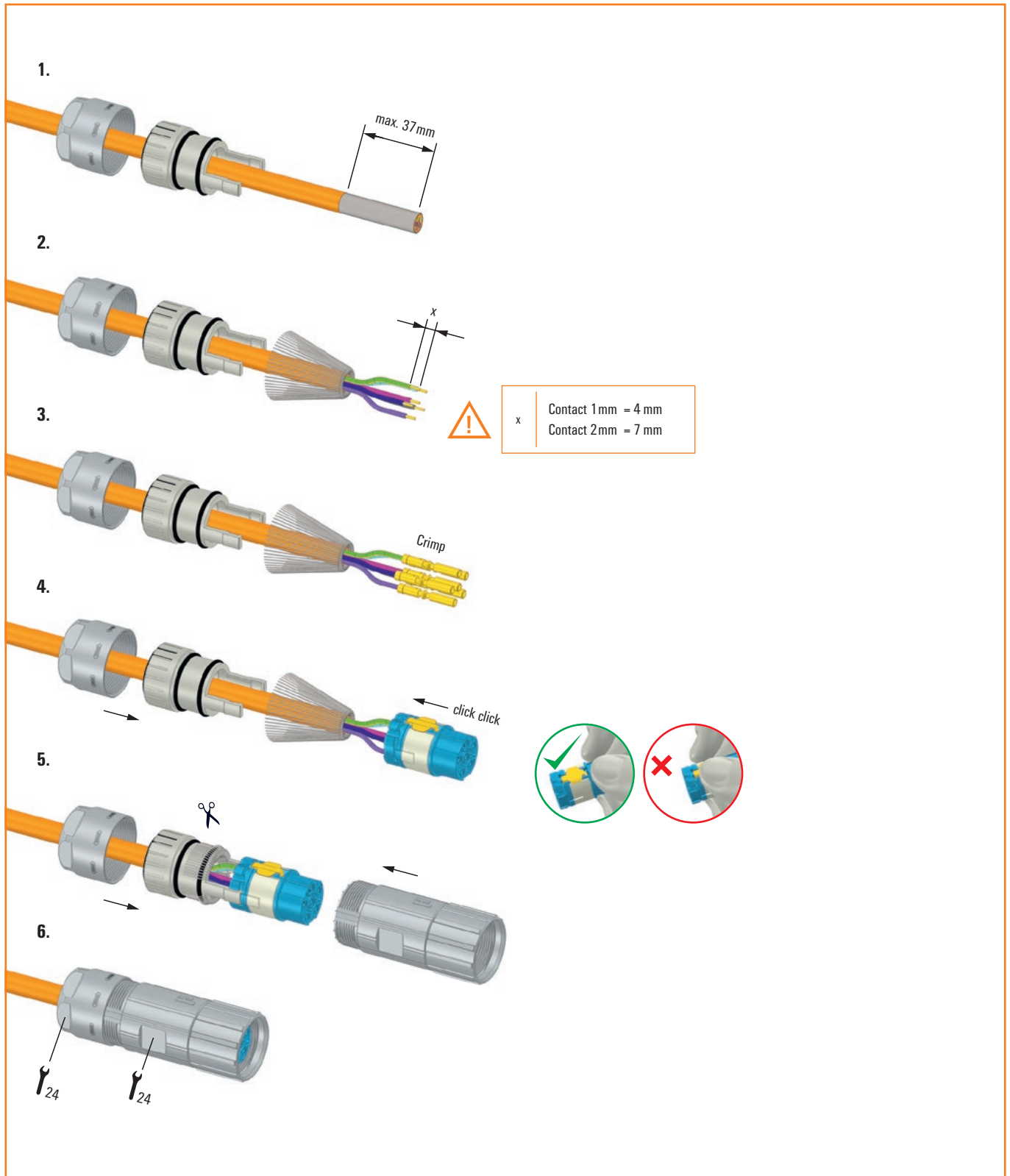
K

# Device connector, female



K

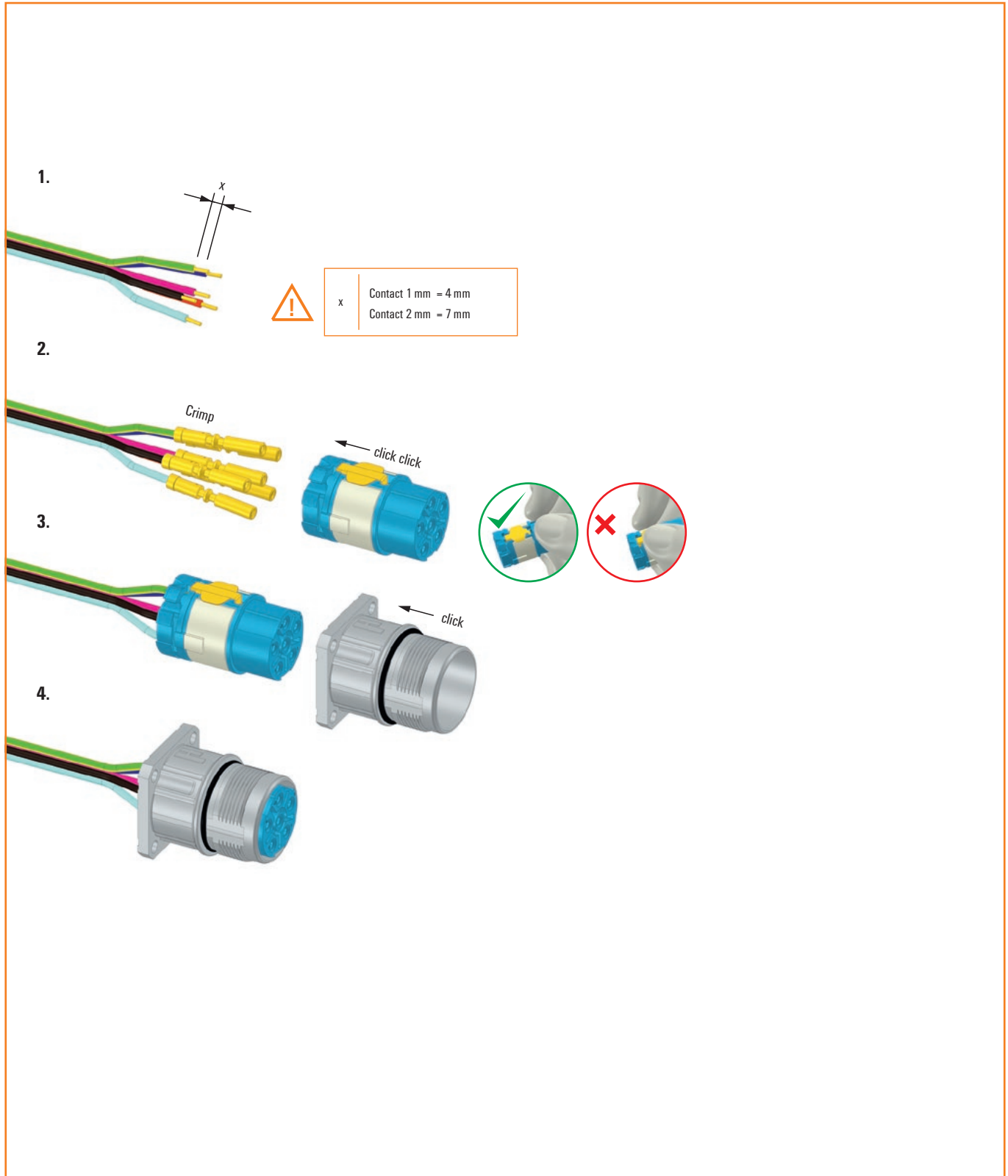
# Cable connector



K

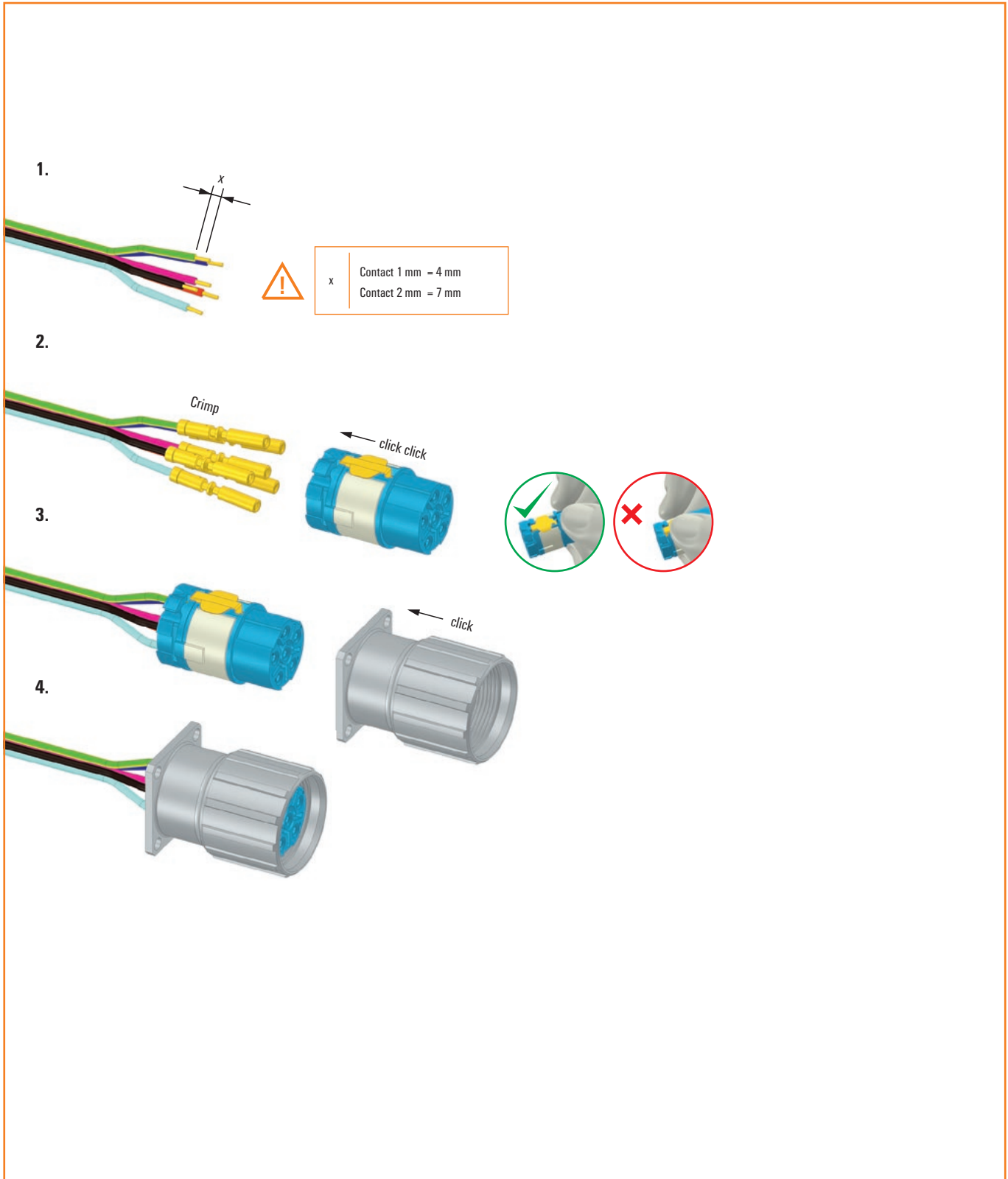


# Device connector

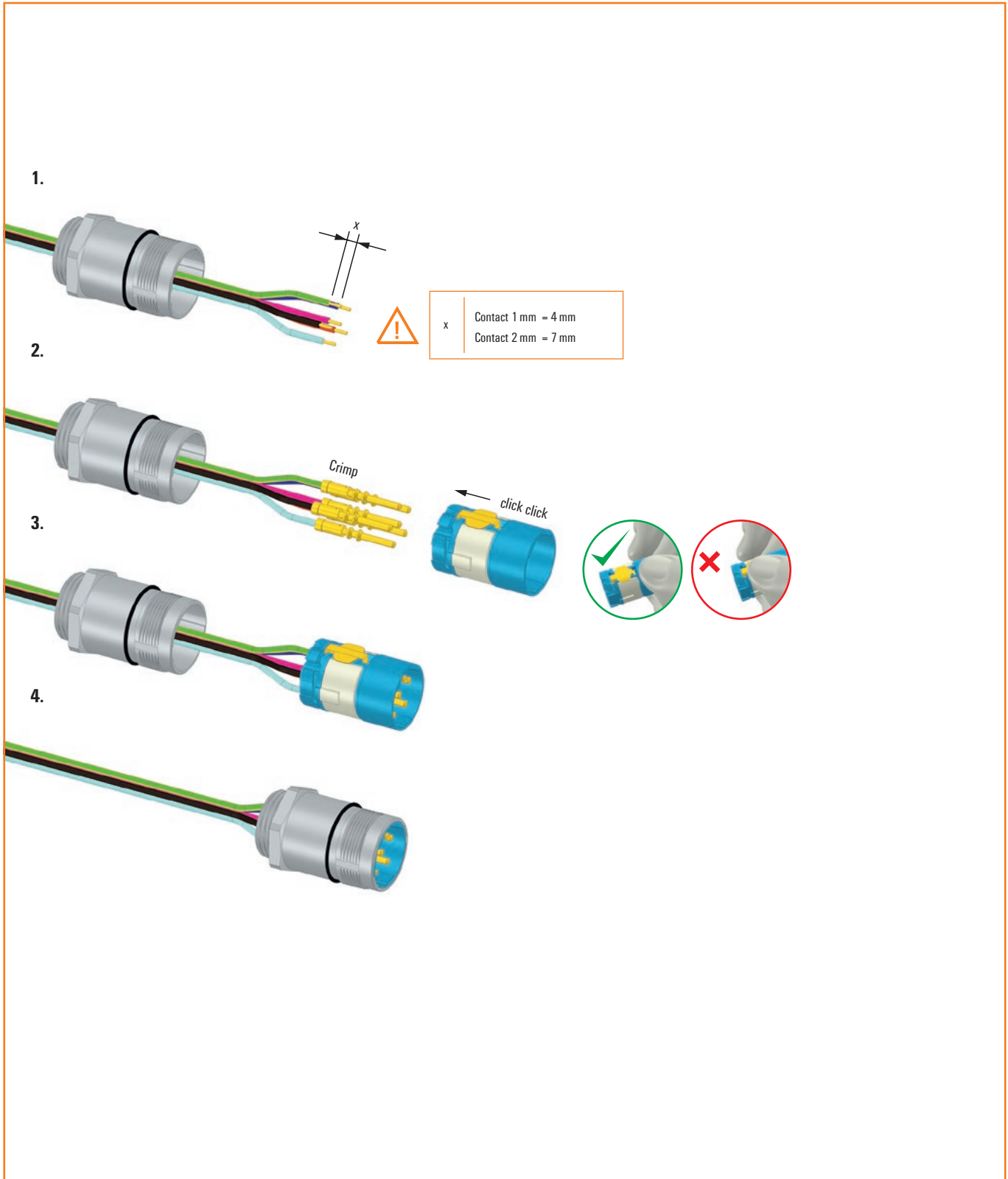




# Device connector

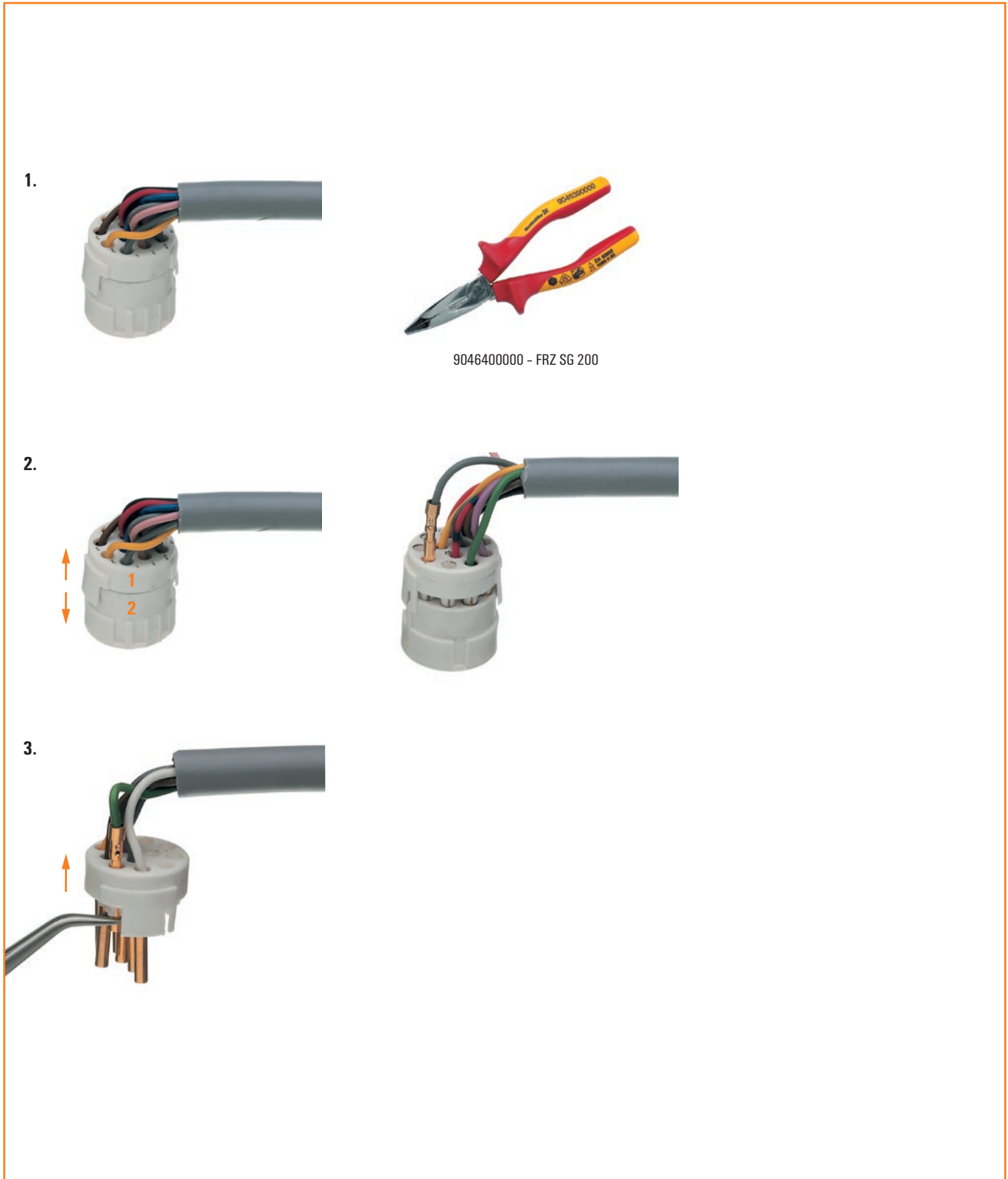


# Device connector, single-hole mount



K

# M23 contact – Disassembly



# M23 connector

## Easy to assemble

- An integrated approach for all plug sizes
- A patented assembly module consisting of terminal insert and insulating body
- Assembly and shield connection combined into one step
- Simple, quick and safe assembly in the housing



## Flexibility



Total modularity means flexibility. Male or female inserts can even be used with any of the housing types for the M23 power connectors.



The concise layout of this connector range and the reduced number of individual parts has clear benefits for the user – quicker assembly and easier installation.



The spacer sleeves are colour-coded for the male and female inserts.



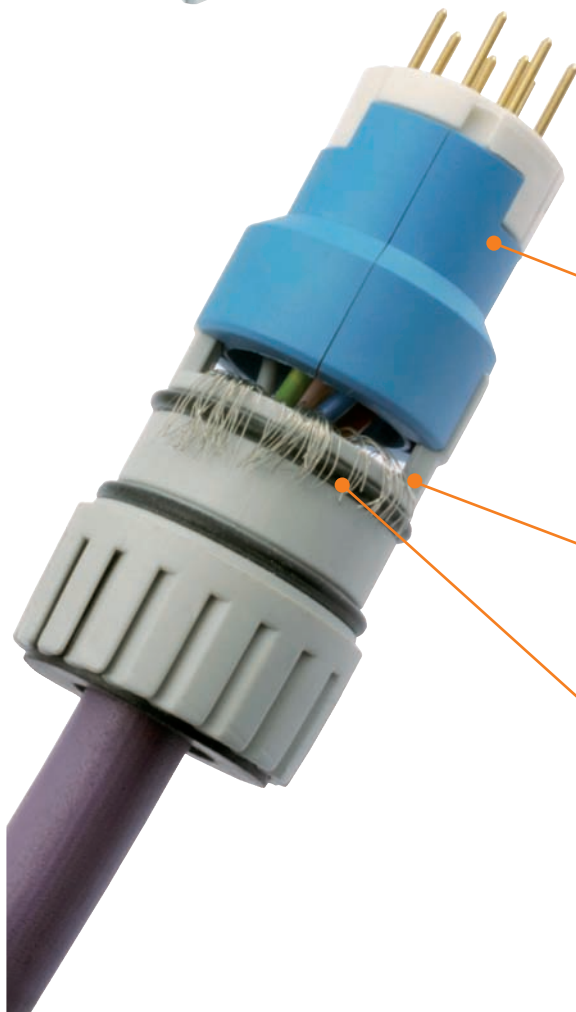
Assembly and shield connection are combined into one step.



The snap-on terminal insert protects the cable outlet from getting twisted.



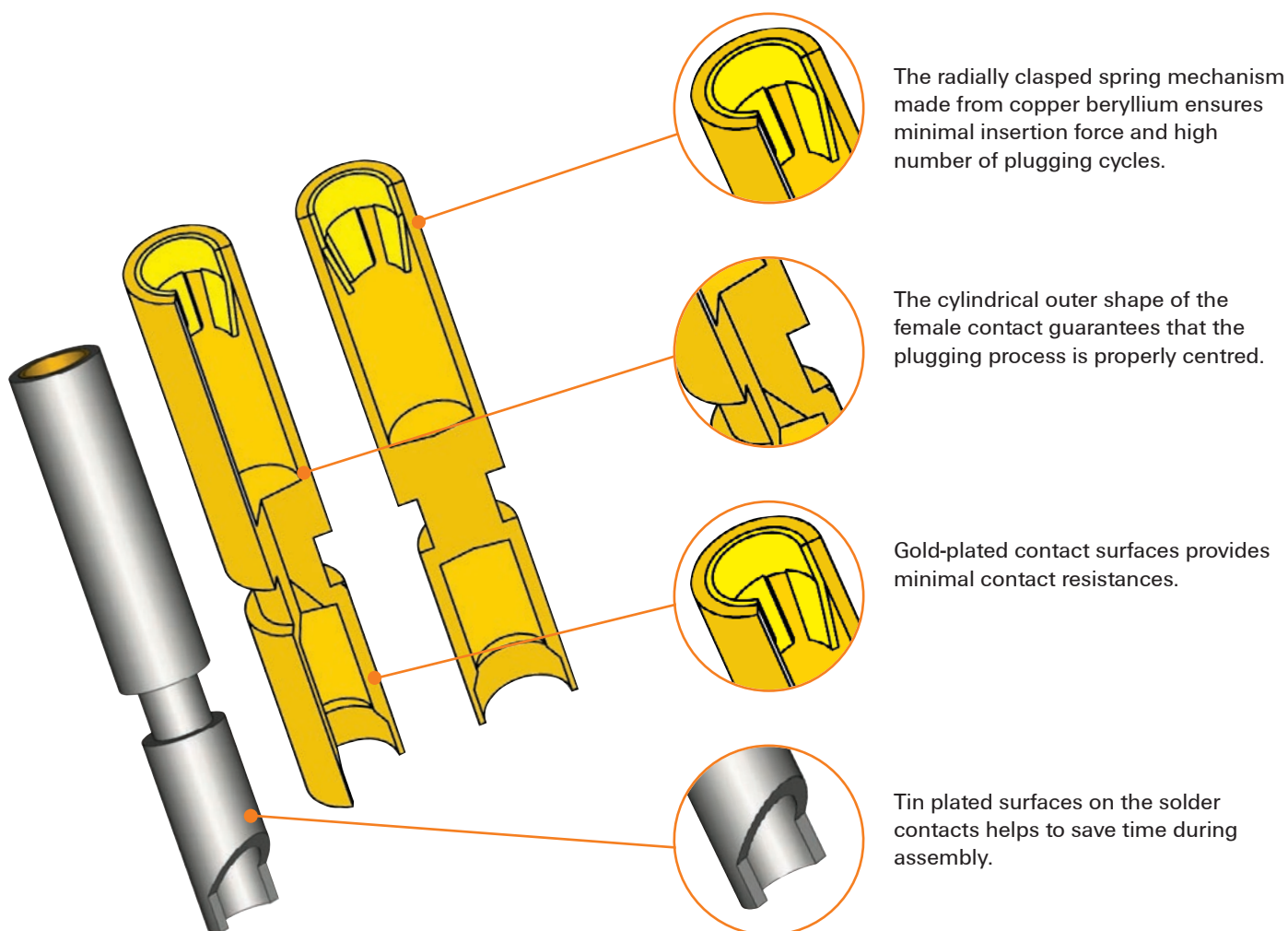
The variable shield connection ensures secure EMC protection for both light and heavy shielding braid.



### Secure contact with SLS® technology

The new, premium-grade contact – the spring-loaded socket (SLS®) system

- Integrated spring takes the pin contact and clasps it radially
- Outstanding electrical characteristics with the most secure contact
- Quick assembly: solder contacts already tin-plated



The radially clasped spring mechanism made from copper beryllium ensures minimal insertion force and high number of plugging cycles.

The cylindrical outer shape of the female contact guarantees that the plugging process is properly centred.

Gold-plated contact surfaces provides minimal contact resistances.

Tin plated surfaces on the solder contacts helps to save time during assembly.

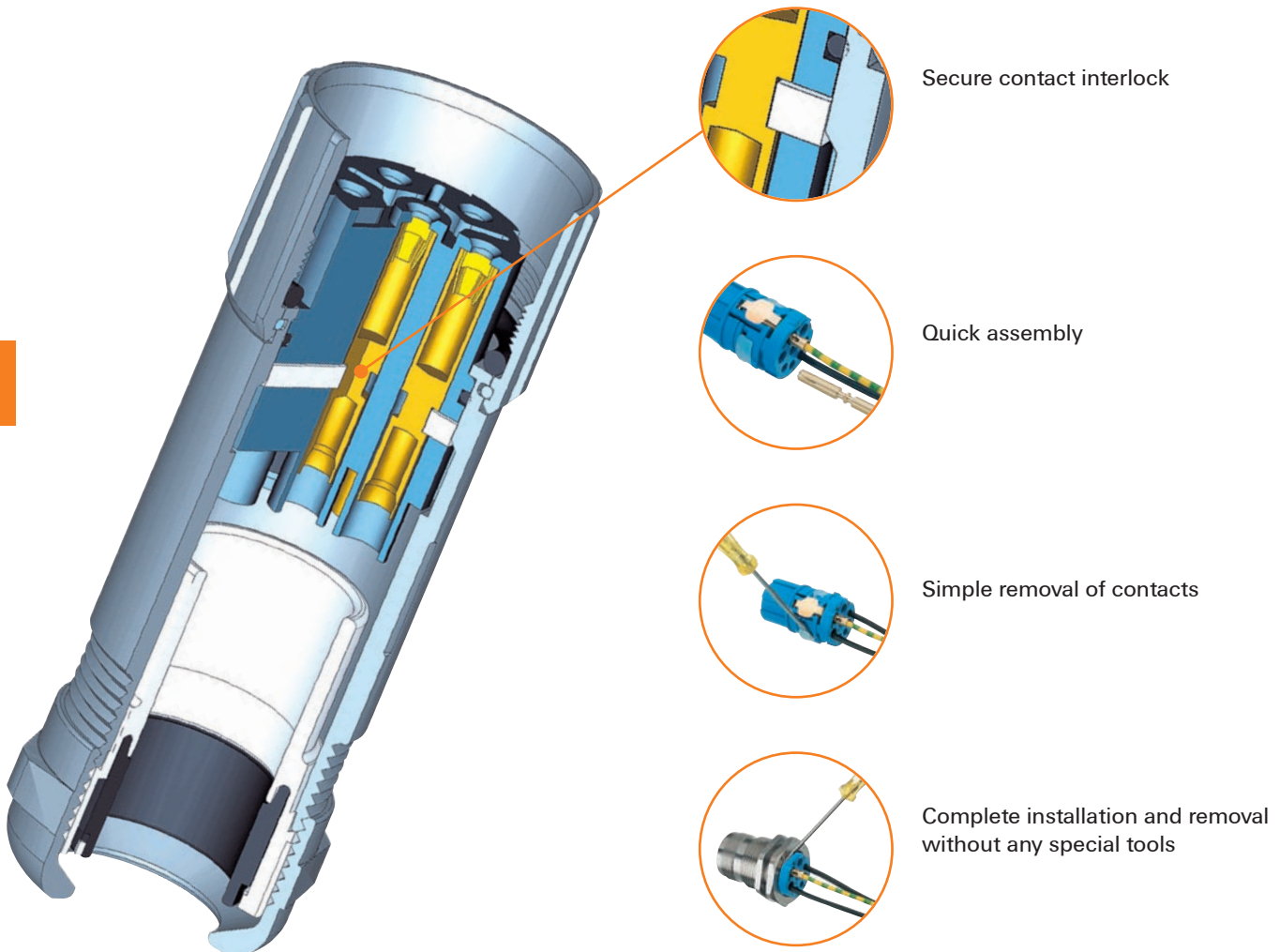
### Euro-Lock system® for a secure mount

Euro-Lock system® – the patented interlock system

- The integrated support clip locks the contacts into the insulating body
- Contacts are easy to install and remove
- No special tool is required

### High-quality cable gland

- Replaceable male or female inserts in each type of housing
- Integrated strain relief mechanism with patented HSK cable gland
- Internationally certified, with proven and established quality



Secure contact interlock

Quick assembly

Simple removal of contacts

Complete installation and removal without any special tools

# Data cables, data plug-in connectors and Remote I/O modules

<b>Data cables, data plug-in connectors and Remote I/O modules</b>	Introduction	L.2
	PROFIBUS-DP - cables	L.4
	PROFIBUS-DP - connectors	L.8
	PROFIBUS D-Sub - connectors	L.11
	Fieldbus distributor – Overview	L.16
	PROFIBUS-DP - FBCon T-distributor	L.18
	PROFIBUS-PA - cables	L.22
	PROFIBUS PA - connectors	L.27
	PROFIBUS-PA - FBCon T-distributor	L.30
	PROFIBUS-PA - FBCon T-distributor with protective function	L.36
	PROFIBUS-PA - FBCon T-distributor ATEX Ex(ia)	L.42
	CANopen & DeviceNet™ - cables	L.50
	CANopen & DeviceNet™ - connectors	L.54
	CAN-BUS D-Sub – connectors	L.55
	EtherCat - lines (M8)	L.61
	Ethernet cables	L.62
	Ethernet plug-in connectors	L.70
	Customisable plug-in connectors	L.72
	Ethernet plug-in connectors	L.75
	FOUNDATION Fieldbus - connector (7/8")	L.76
Accessories for cable glands	L.77	



## Bus cables

Bus technology serves as the heart of automation technology. High-quality products are essential here if you hope to achieve long-term, smooth functionality.

Not only the slaves and controllers play a significant role; the connecting lines in use are also very important. Weidmüller offers a variety of bus lines for every protocol.

### Advantages of our bus lines:

- Secure connection thanks to 100% testing
- 360° shielding
- Customer-specific variants with custom cable lengths, connecting plugs, markings or colours available

### Supported protocols:

PROFINET, PROFIBUS DP, PROFIBUS PA, Ethernet, EtherCAT, Sub-Bus



Bus cables: shown here in the standard colours: blue (Profibus-PA Ex i), black (CANopen/DeviceNet or Profibus-PA), magenta (Profibus-DP) and green (Industrial Ethernet) together with the sensor cables





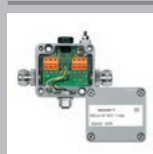
**Cables**



**M12 plug-in connector**



**D-Sub connector**



**FBCon T-distributor**

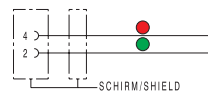
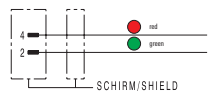
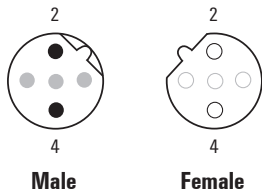


## PROFIBUS-DP - cables

One end without connector

M12

B-coded



### Ordering data

Male, straight	
PUR halogen-free	1.5 m
Male, angled	
PUR halogen-free	1.5 m
Female, straight	
PUR halogen-free	1.5 m
Female, angled	
PUR halogen-free	1.5 m
Note	

2-pole	
SAIL-M12G-PB-1.5D	1873300150
SAIL-M12W-PB-1.5D	1061970150
SAIL-M12BG-PB-1.5D	1873320150
SAIL-M12BW-PB-1.5D	1062300150
Other versions on request	


### Standard cable lengths

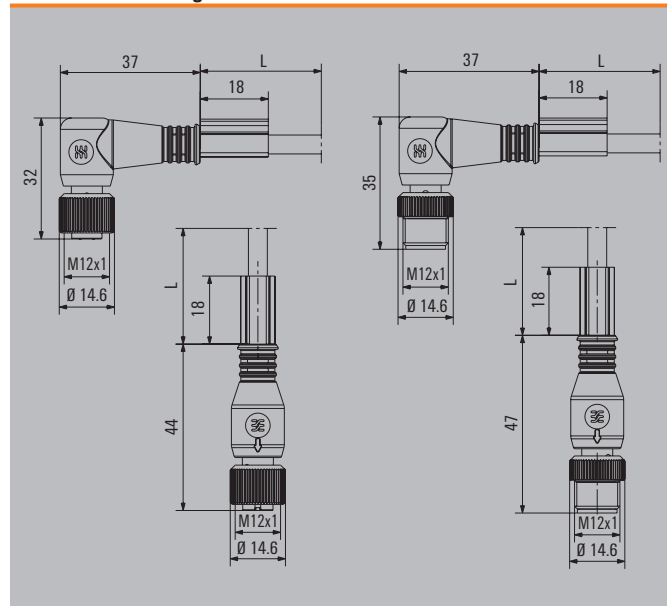
All cables listed in the ordering data have a length of 1.5 metres. The last four ordering digits must be changed when ordering other standard cable lengths.	1.5 m	xxxxxx0150
	3.0 m	xxxxxx0300
	5.0 m	xxxxxx0500
	10.0 m	xxxxxx1000

### Technical data

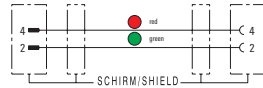
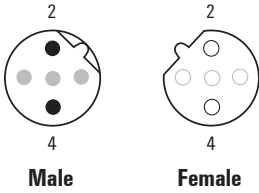
Sheathing colour	violet
Protection degree	IP67
Wire cross section	PUR: PUR 0.25 mm <sup>2</sup> / PVC 0.34 mm <sup>2</sup>
Contact surface	Gold-plated
Temperature range of housing	-25...+80 °C
Coding	B

Chapter W includes additional technical specifications for the cable

### Dimensioned drawing



**PROFIBUS-DP cables**  
**Connecting cables**  
**M12 to M12**  
**B-coded**



**Ordering data**

<b>Male, straight - Female, straight</b>	
PUR halogen-free	1.5 m
<b>Male, straight - Female, angled</b>	
PUR halogen-free	1.5 m
<b>Male, angled - Female, angled</b>	
PUR halogen-free	1.5 m
<b>Note</b>	

2-pole	
SAIL-M12GM12G-PB-1.5D	<b>1873310150</b>
SAIL-M12GM12W-PB-1.5D	<b>1062310150</b>
SAIL-M12WM12W-PB-1.5D	<b>1062330150</b>
Other versions on request	


**Standard cable lengths**

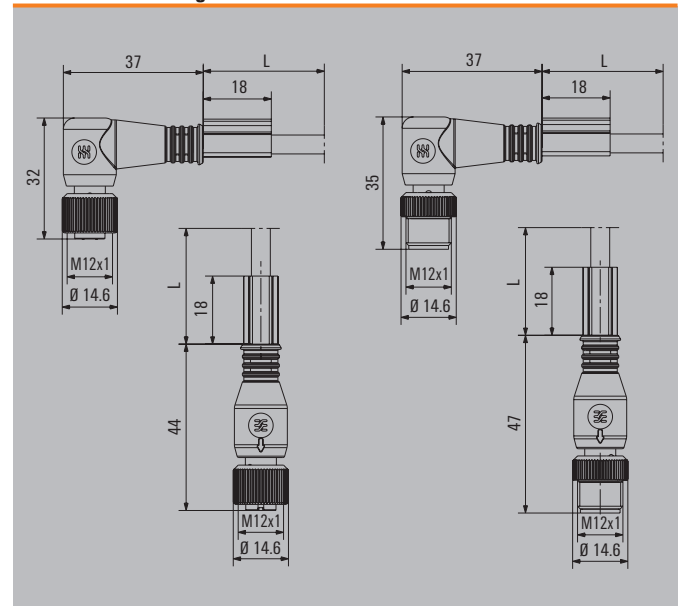
All cables listed in the ordering data have a length of 1.5 metres. The last four ordering digits must be changed when ordering other standard cable lengths.	1.5 m	xxxxxx0150
	3.0 m	xxxxxx0300
	5.0 m	xxxxxx0500
	10.0 m	xxxxxx1000

**Technical data**

Sheathing colour	violet
Protection degree	IP67
Wire cross section	PUR: PUR 0.25 mm <sup>2</sup> / PVC 0.34 mm <sup>2</sup>
Contact surface	Gold-plated
Temperature range of housing	-25...+80 °C
Coding	B

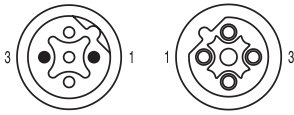
Chapter W includes additional technical specifications for the cable

**Dimensioned drawing**



**PROFIBUS-DP - cables**

**One end without connector**  
**M12 back panel mounting**  
**B-coded**



**Male**

**Female**

**Ordering data**

2-pole	
	0.5 m
	1.0 m
	2.0 m
	5.0 m
<b>Note</b>	

**Technical data**

Type of connection
Housing main material
Connection thread
Wire cross-section, min. / max.
Rated current
Rated voltage
Temperature range of housing
Protection degree
Contact surface
Contact material
Plugging cycles
Pollution severity
<b>Note</b>

**M12 built-in connector**

Male, straight



**M12 built-in connector**

Female, straight



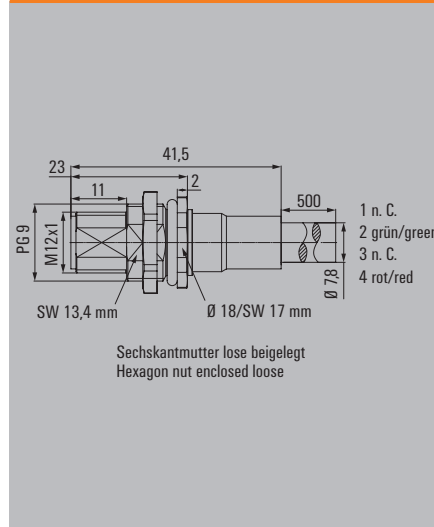
Type	Qty.	Order No.
SAIE-M12S-PB-0.5U HW	1	1279490050
SAIE-M12S-PB-1.0U HW	1	1279490100
SAIE-M12S-PB-2.0U HW	1	1279490200
SAIE-M12S-PB-5.0U HW	1	1279490500

Pin
Zinc diecast, nickel-plated
M12
...0.25 mm <sup>2</sup>
4 A
250 V
-20 ... +60 °C
IP68
Gold-plated
≥ 500
3

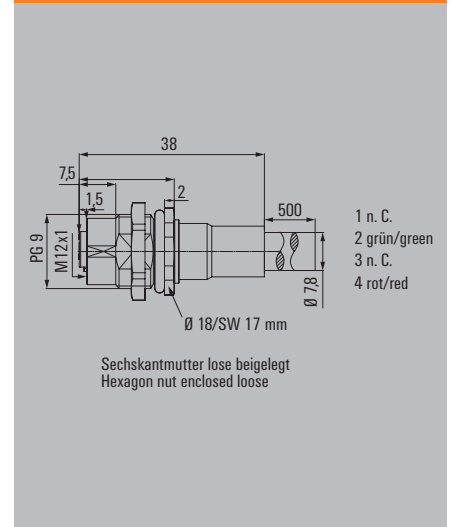
Type	Qty.	Order No.
SAIE-M12B-PB-0.5U HW	1	1279480050
SAIE-M12B-PB-1.0U HW	1	1279480100
SAIE-M12B-PB-2.0U HW	1	1279480200
SAIE-M12B-PB-5.0U HW	1	1279480500

Socket connector
Zinc diecast, nickel-plated
M12
...0.25 mm <sup>2</sup>
4 A
250 V
-20 ... +60 °C
IP68
Gold-plated
≥ 500
3

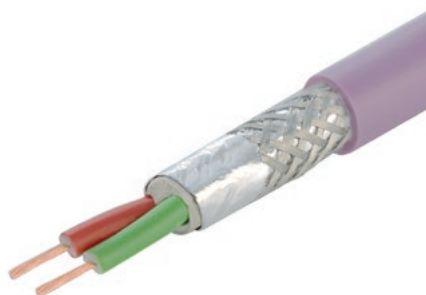
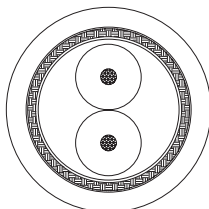
**Dimensioned drawing**



**Dimensioned drawing**



PROFIBUS-DP bulk lengths



Technical data

Assembly

Wire	
Pair	
Interior sheathing	
Shield	
Outer cladding	

Electrical characteristics at 20 °C

Conductor resistance	
Insulation resistance	
Operational capacity	
Characteristic impedance	
Attenuation	
Test voltage (50 Hz, 1 min.)	

Mechanical and thermal characteristics

Temperature range	
Min. permitted bending radius	
Max. tensile load resistance	
Suitable for dragline cable carriers	
Halogen-free	

Conductor: 19-wire strands copper shiny, AWG 24, 0.64 mm Ø nominal

Insulation: PE foam, 2.55 mm Ø nominal  
 2 wires according to 3.2.1 (red, green) laid as a pair, 5.1 mm Ø nominal

Coil-filling interior sheathing, 5.3 mm Ø nominal

- a) Overlapping aluminium film, 6.1 mm Ø nominal
  - b) Braided tin-plated copper, coverage approx. 65%, 6.1 Ø nominal
- TPE-U free from halogens, 8.0 +/- 0.4 mm

< 84.0 Ω/km	
> 1 GΩ ● km	
< 35 nF/km	
9.6 KHz (RW)	300 Ω
38.4 KHz (RW)	185 +/- 20 Ω
3-20 Mhz	150 +/- 15 Ω
9.6 KHz	3 dB/km
38.4 KHz	5 dB/km
4 Mhz	26 dB/km
16 Mhz	55 dB/km
Wire/wire	0.5 kV <sub>eff</sub>
Wire/shield	0.5 kV <sub>eff</sub>

Stationary	-40 °C to +70 °C
Moving	-20 °C to +60 °C
Once	7.5 x d
Multiple	15 x d
Static	50 N/mm <sup>2</sup>
Dynamic	20 N/mm <sup>2</sup>
Yes	
Yes	

Note

Ordering data

	Metre goods
Note	

Type	Order No.
SAIH-PB-2X0.24-PUR	1232620000



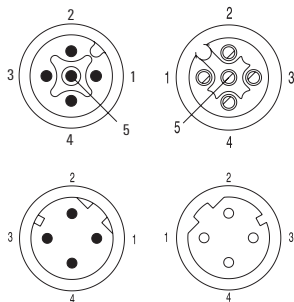
PROFIBUS-DP - connectors

M12 tension-clamp connection, stainless steel with shield connection  
B-coded



SAIS / SAIB VA

Straight



Male

Female



Ordering data

Male	5-pole, PG 9
Female	5-pole, PG 9
Note	

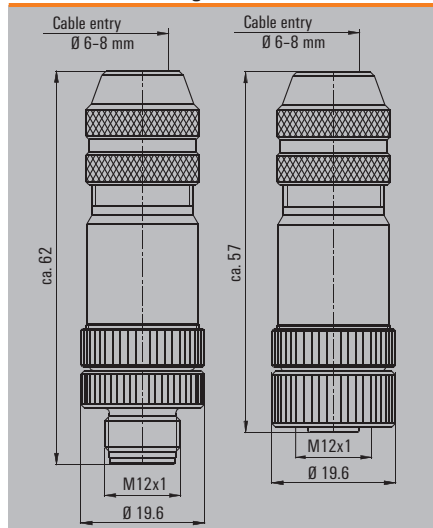
Type	Qty.	Order No.
SAIS 5/9-VA-B-COD	1	1920720000
SAIB 5/9-VA-B-COD	1	1920730000

Technical data

Type of connection	Tension-clamp connection
Housing main material	1.4404/316L
Connection thread	M12
Cable diameter	6...8 mm (PG9)
Wire cross-section, min. / max.	0.25...0.5 mm <sup>2</sup>
Rated current	4 A
Rated voltage	60 V
Temperature range of housing	-40 ... +85 °C
Protection degree	IP69K
Contact surface	Gold-plated
Coding	B
Note	

Type of connection	Tension-clamp connection
Housing main material	1.4404/316L
Connection thread	M12
Cable diameter	6...8 mm (PG9)
Wire cross-section, min. / max.	0.25...0.5 mm <sup>2</sup>
Rated current	4 A
Rated voltage	60 V
Temperature range of housing	-40 ... +85 °C
Protection degree	IP69K
Contact surface	Gold-plated
Coding	B
Note	

Dimensioned drawing



M12 screw connection with shield connection B-coded



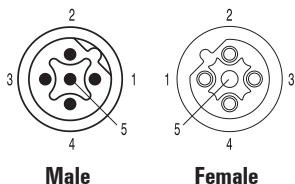
SAISM / SAIBM

Straight



SAISW / SAIBW

Angled



Ordering data

Male	5-pole. PG 9
Female	5-pole. PG 9
Note	

Type	Qty.	Order No.
SAISM 5/8S M12 5P B-COD	1	1784790000
SAIBM 5/8S M12 5P B-COD	1	1784780000

Type	Qty.	Order No.
SAISW-M-5/8 M12 B-COD	1	1944570000
SAIBW-M-5/8 M12 B-COD	1	1944580000

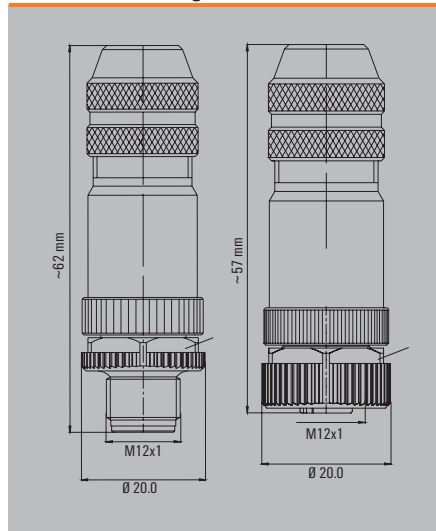
Technical data

Type of connection	Screw connection
Housing main material	CuZn
Connection thread	M12
Cable diameter	6..8 mm (PG9)
Wire cross-section, min. / max.	0.14...0.75 mm <sup>2</sup>
Rated current	4 A
Rated voltage	60 V
Temperature range of housing	-40 ... +85 °C
Protection degree	IP67
Contact surface	Gold-plated
Coding	B
Note	

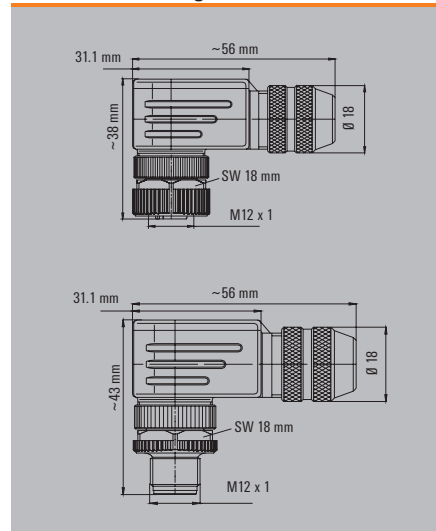
Type of connection	Screw connection
Housing main material	CuZn
Connection thread	M12
Cable diameter	6..8 mm (PG9)
Wire cross-section, min. / max.	0.14...0.75 mm <sup>2</sup>
Rated current	4 A
Rated voltage	60 V
Temperature range of housing	-40 ... +85 °C
Protection degree	IP67
Contact surface	Gold-plated
Coding	B
Note	

Type of connection	Screw connection
Housing main material	CuZn
Connection thread	M12
Cable diameter	6..8 mm (PG9)
Wire cross-section, min. / max.	0.14...0.75 mm <sup>2</sup>
Rated current	4 A
Rated voltage	60 V
Temperature range of housing	-40 ... +85 °C
Protection degree	IP67
Contact surface	Gold-plated
Coding	B
Note	

Dimensioned drawing



Dimensioned drawing



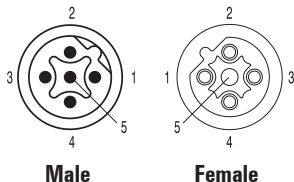
PROFIBUS-DP - connectors

Insulation displacement connection (IDC) M12 with shield connection B-coded



SAIS / SAIB

Straight



Ordering data

<b>Male</b>	2-pole. PG 9
<b>Female</b>	2-pole. PG 9
<b>Note</b>	

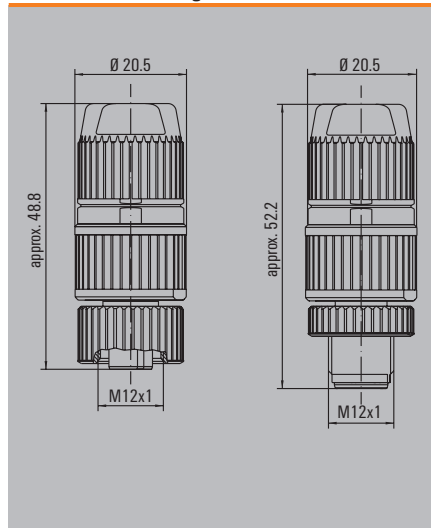
Type	Qty.	Order No.
SAIS-2-IDC-M12B-COD	1	1864730000
SAIB-2-IDC-M12B-COD	1	1864740000
Profibus assignment: Pin 2 + 4		

Technical data

Type of connection	Insulation displacement connection
Housing main material	CuZn
Connection thread	M12
Cable diameter	4.5...8.8 mm
Wire cross-section, min. / max.	0.25...0.34 mm <sup>2</sup>
Rated current	4 A
Rated voltage	32 V
Temperature range of housing	-25...+85 °C
Protection degree	IP67
Contact surface	tinned
Coding	B
<b>Note</b>	

Type of connection	Insulation displacement connection
Housing main material	CuZn
Connection thread	M12
Cable diameter	4.5...8.8 mm
Wire cross-section, min. / max.	0.25...0.34 mm <sup>2</sup>
Rated current	4 A
Rated voltage	32 V
Temperature range of housing	-25...+85 °C
Protection degree	IP67
Contact surface	tinned
Coding	B
<b>Note</b>	

Dimensioned drawing





**PROFIBUS D-Sub  
M12 cable connection  
90° exit angle**

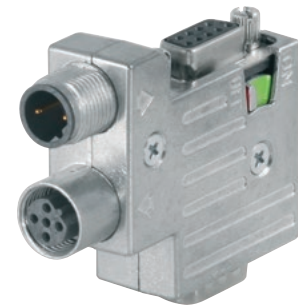
**PB-DP D-Sub M12 TERM**

With bus termination switch



**PB-DP D-Sub M12 TERM PS**

With bus termination switch and programming interface



**Ordering data**

Type	Qty.	Order No.
PB-DP SUB-D M12 TERM	1	1140650000
Other versions on request		

Note

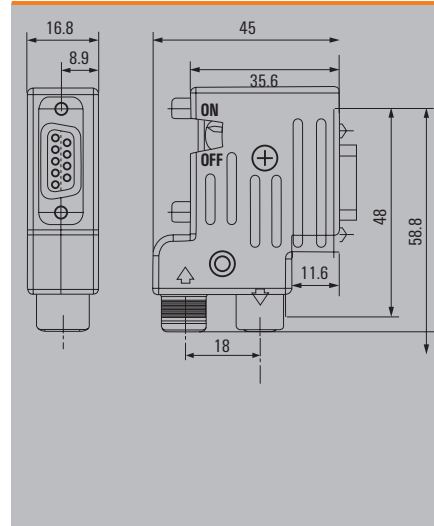
**Technical data**

Outgoing elbow	90°
Data rate	12 MBit/s
Humidity	Max. 75% at +25°C, non-condensing
Housing main material	ZnAl
BUS, cable interface	M12 B-coded male and female connector, pins 2 and 4 assigned
BUS interface	D-Sub 9-pole, Pin
Protection degree	IP30
Plugging cycles	≥ 200
Temperature range of housing	-20...+70 °C
Interlock	UNC4-40
Note	

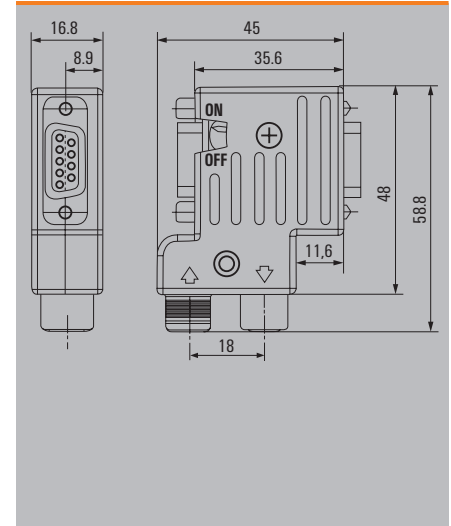
Type	Qty.	Order No.
PB-DP SUB-D M12 TERM PS	1	1140640000
Other versions on request		

Outgoing elbow	90°
Data rate	12 MBit/s
Humidity	Max. 75% at +25°C, non-condensing
Housing main material	ZnAl
BUS, cable interface	M12 B-coded male and female connector, pins 2 and 4 assigned
BUS interface	D-Sub 9-pole, Pin
Protection degree	IP30
Plugging cycles	≥ 200
Temperature range of housing	-20...+70 °C
Interlock	UNC4-40
Note	

**Dimensioned drawing**



**Dimensioned drawing**



**PROFIBUS D-Sub - connectors**

**PROFIBUS D-Sub**  
**Tension clamp connection**  
**35° exit angle**

**PB-DP D-Sub ZF35TERM**

With bus termination switch



**PB-DP D-Sub ZF35TERM PS**

With bus termination switch and programming interface



**Ordering data**

Type	Qty.	Order No.
PB-DP SUB-D ZF35TERM	1	1173220000
Other versions on request		

Note

**Technical data**

Outgoing elbow	35°
Data rate	12 MBit/s
Humidity	Max. 75% at +25°C, non-condensing
Housing main material	ZnAl
BUS, cable interface	Tension clamp connection
BUS interface	D-Sub 9-pole, Pin
Protection degree	IP30
Plugging cycles	≥ 200
Temperature range of housing	-20...+70 ° C
Interlock	UNC4-40
Note	

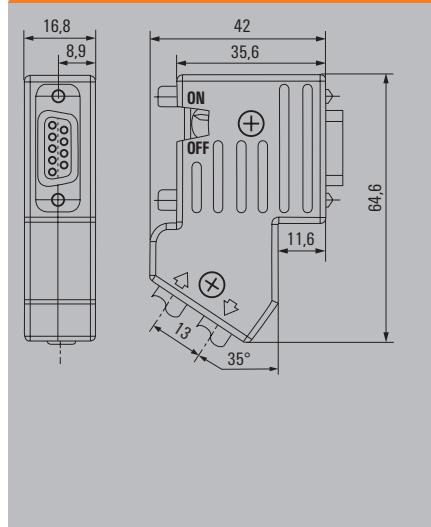
Type	Qty.	Order No.
PB-DP SUB-D ZF35TERM PS	1	1173240000
Other versions on request		

Note

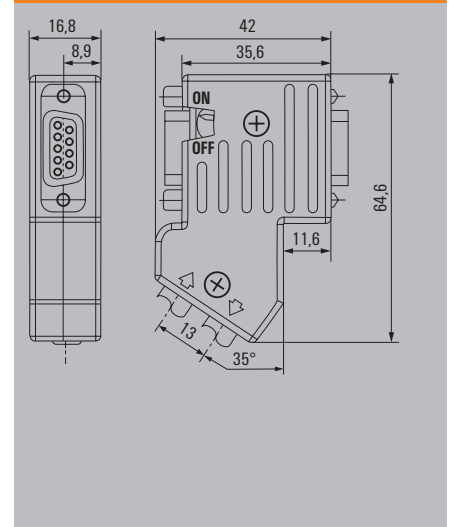
Outgoing elbow	35°
Data rate	12 MBit/s
Humidity	Max. 75% at +25°C, non-condensing
Housing main material	ZnAl
BUS, cable interface	Tension clamp connection
BUS interface	D-Sub 9-pole, Pin
Protection degree	IP30
Plugging cycles	≥ 200
Temperature range of housing	-20...+70 ° C
Interlock	UNC4-40
Note	



**Dimensioned drawing**



**Dimensioned drawing**

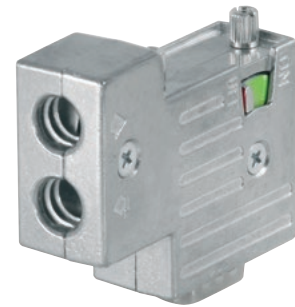
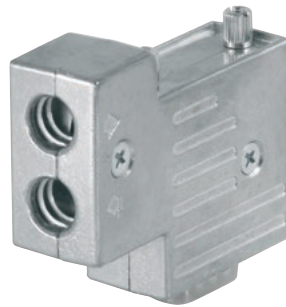


**PROFIBUS D-Sub**  
Tension clamp connection  
90° exit angle

**PB-DP D-Sub ZF**

**PB-DP D-Sub ZF TERM**

With bus termination switch



**Ordering data**

Type	Qty.	Order No.
PB-DP SUB-D ZF	1	1161890000
Other versions on request		

Note

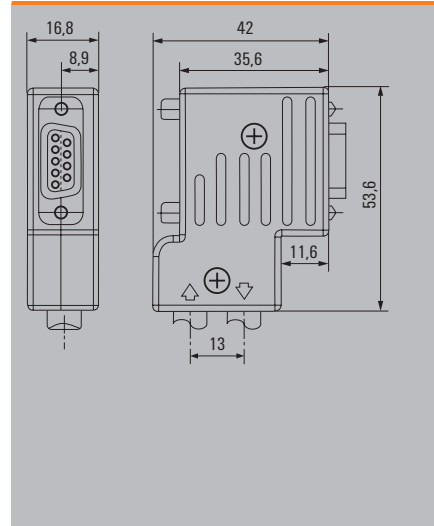
**Technical data**

Outgoing elbow	90°
Data rate	12 MBit/s
Humidity	Max. 75% at +25°C, non-condensing
Housing main material	ZnAl
BUS, cable interface	Tension clamp connection
BUS interface	D-Sub 9-pole, Pin
Protection degree	IP30
Plugging cycles	≥ 200
Temperature range of housing	-20...+70 °C
Interlock	UNC4-40
Note	

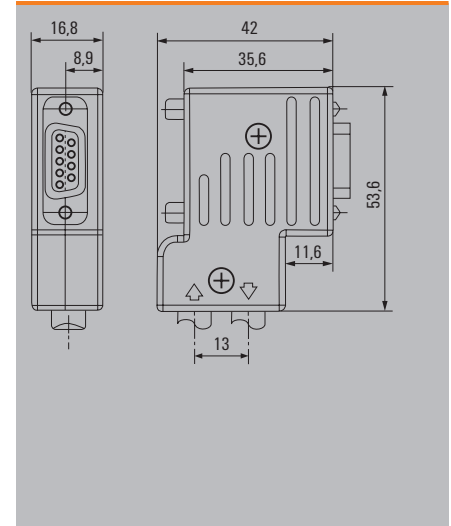
Type	Qty.	Order No.
PB-DP SUB-D ZF TERM	1	1161870000
Other versions on request		

Outgoing elbow	90°
Data rate	12 MBit/s
Humidity	Max. 75% at +25°C, non-condensing
Housing main material	ZnAl
BUS, cable interface	Tension clamp connection
BUS interface	D-Sub 9-pole, Pin
Protection degree	IP30
Plugging cycles	≥ 200
Temperature range of housing	-20...+70 °C
Interlock	UNC4-40
Note	

**Dimensioned drawing**



**Dimensioned drawing**

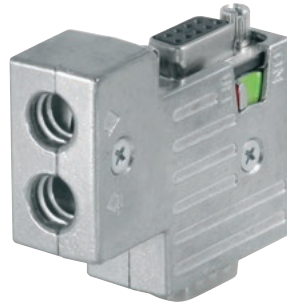


**PROFIBUS D-Sub - connectors**

**PROFIBUS D-Sub**  
**Tension clamp connection**  
**90° exit angle**

**PB-DP D-Sub ZF TERM PS**

With bus termination switch and programming interface



**Ordering data**

<b>Note</b>

Type	Qty.	Order No.
PB-DP SUB-D ZF TERM PS	1	<b>1161880000</b>
Other versions on request		

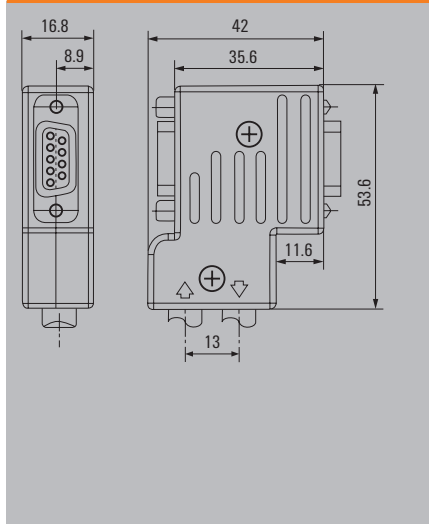
**Technical data**

Outgoing elbow
Data rate
Humidity
Housing main material
BUS, cable interface
BUS interface
Protection degree
Plugging cycles
Temperature range of housing
Interlock
<b>Note</b>

90°
12 MBit/s
Max. 75% at +25°C, non-condensing
ZnAl
Tension clamp connection
D-Sub 9-pole, Pin
IP30
≥ 200
-20...+70 ° C
UNC4-40



**Dimensioned drawing**



**PROFIBUS D-Sub  
M12 cable connection  
180° exit angle**

**PB-DP D-Sub M12 180**

With bus termination switch



**PB-DP D-Sub M12 180 OS**



**Ordering data**

<b>Note</b>
-------------

Type	Qty.	Order No.
PB-DP SUB-D M12 180	1	1264180000
Other versions on request		

Type	Qty.	Order No.
PB-DP SUB-D M12 180 OS	1	1274250000
Other versions on request		

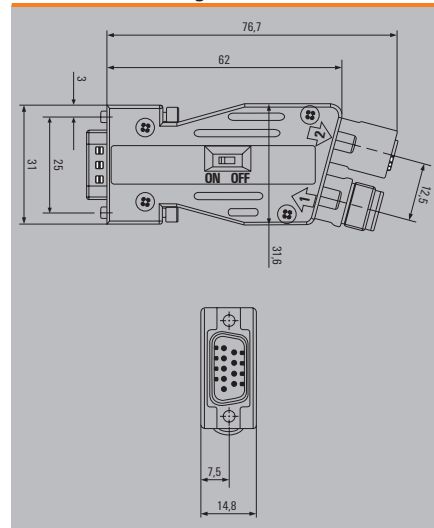
**Technical data**

Outgoing elbow	180°
Data rate	12 MBit/s
Humidity	Max. 75% at +25°C, non-condensing
Housing main material	ZnAl
BUS, cable interface	M12 B-coded male and female connector, pins 2 and 4 assigned
BUS interface	D-Sub 9-pole, Pin
Protection degree	IP30
Plugging cycles	≥ 200
Temperature range of housing	-20...+70 ° C
Interlock	UNC4-40
<b>Note</b>	

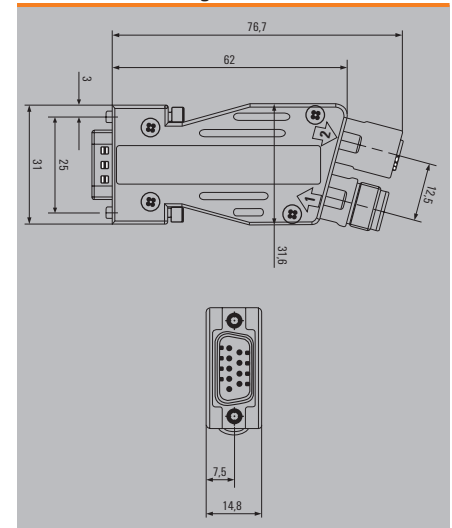
Outgoing elbow	180°
Data rate	12 MBit/s
Humidity	Max. 75% at +25°C, non-condensing
Housing main material	ZnAl
BUS, cable interface	M12 B-coded male and female connector, pins 2 and 4 assigned
BUS interface	D-Sub 9-pole, Pin
Protection degree	IP30
Plugging cycles	≥ 200
Temperature range of housing	-20...+70 ° C
Interlock	UNC4-40
<b>Note</b>	

Outgoing elbow	180°
Data rate	12 MBit/s
Humidity	Max. 75% at +25°C, non-condensing
Housing main material	ZnAl
BUS, cable interface	M12 B-coded male and female connector, pins 2 and 4 assigned
BUS interface	D-Sub 9-pole, Pin
Protection degree	IP30
Plugging cycles	≥ 200
Temperature range of housing	-20...+70 ° C
Interlock	UNC4-40
<b>Note</b>	

**Dimensioned drawing**



**Dimensioned drawing**



## System description, fieldbus distributor

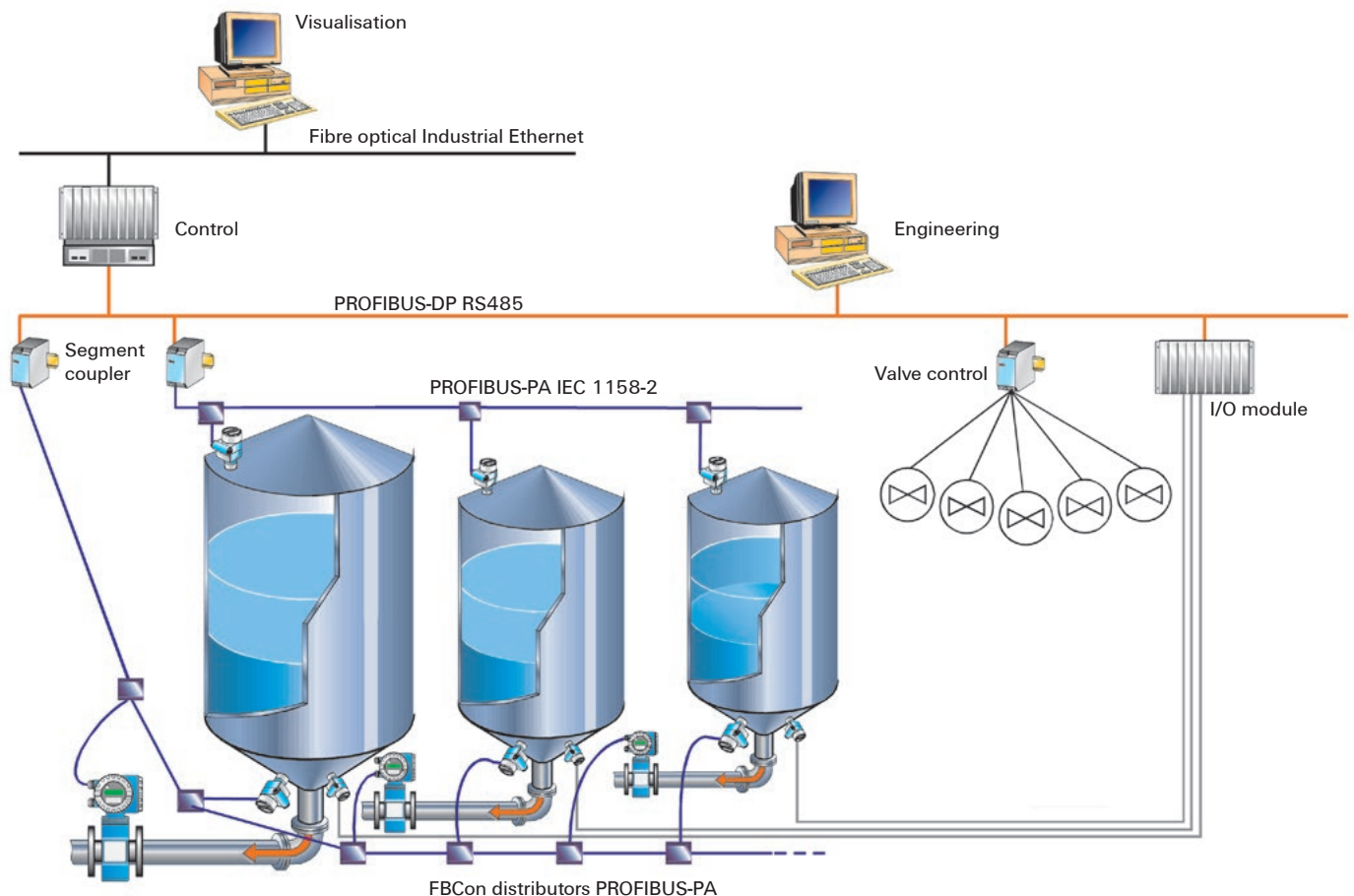
FBCon fieldbus distributors are available in industrial and Ex(ia) versions. They are used for coupling 1-8 field devices or sensors.

The connection is made via a spur. The spur is connected by an M12 plug in connector or directly via an EMC cable gland. The communication and device powering is handled by a common 2-core wire.

The distributors offer the following features irrespective of the version:

- Tension clamp connection technology
- Surge protection for the main line
- Current limiter for each stub line
- EMC cable gland
- M12 plug in connectors
- External earth stud
- Interruption-free bus operation
- Industrial specification
- Bus termination integrated (non EX)
- T ATEX version
- Pressure equalising element
- IP 66 Ingress protection class
- Stainless steel versions
- PROFIBUS-PA compatible

### Typical PROFIBUS system layout

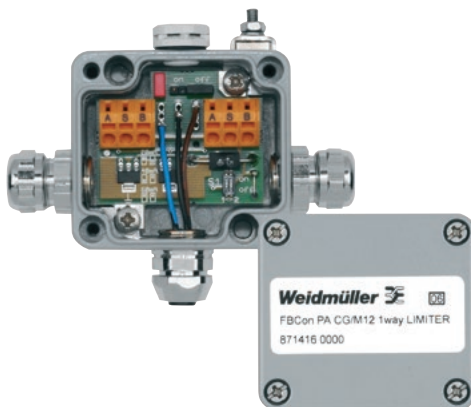


# Product coding

The FBCon family of distributors includes various forms. The product name indicates the respective features as follows:

FBCon	Field Bus Connection
PA	Profibus PA / Foundation Fieldbus
DP	Profibus DP / Modbus RS485
SS	Stainless Steel
CG	Stainless steel cable gland on stainless steel housing. On standard aluminium housings, the cable gland is nickel-plated brass.
PCG	Plastic Cable Gland
CG/M12	M12 plug-in connector for the stub cables and cable gland for the trunk cable
1way	Number of outgoing stub lines
Limiter	Current limiter; protects the PROFIBUS-PA network in the event of an overload in the stub line
EX	Approved for potentially explosive areas
ATEX	For explosive atmospheres

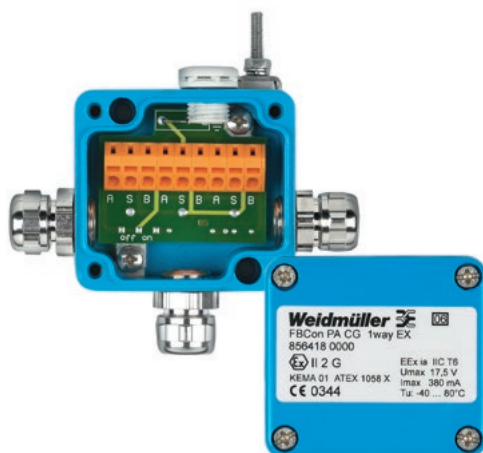
**Note:** FBCon products with aluminium housings and/or M12 connections are not recommended for use in extremely saline environments.



FBCon PA CG/M12 1way Limiter



FBCon SS PCG 1way

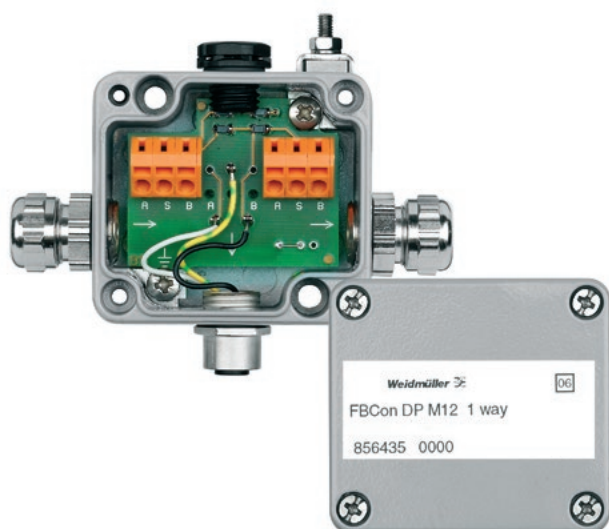


FBCon PA CG 1way Ex

# Distributors for Profibus DP / Modbus RS485

## Distributors for Profibus DP / Modbus RS485

For Profibus DP and Modbus RS485, the FBCon standard T distributors and terminating resistors each connect one field device or one remote I/O to the bus cable. The length of the spur cable depends on the transmission rate and should be as short as possible. An individual spur line must not exceed a length of 0.3 m. The total of all spur lengths for transmission rates up to 1.5 MBaud may not exceed max. 6.6 m. The trunk cable passes through an EMC cable gland into an aluminium or stainless steel enclosure where it is connected to a tension clamp terminal. The spur line to the device is connected using a B-coded M12 socket or an EMC cable gland. Terminating resistors must be wired onto the start and end of the PROFIBUS-DP network. The Terminator modules can take care of this task. The electrically isolated 24 V DC power supply for the bus terminator is routed into the cable gland on the right side. The housing features a pressure-compensation mechanism that counters the effects of climatic fluctuations. The guidelines issued by the PROFIBUS user organisation must be observed.



## PROFIBUS-DP

### Technical data

Operating temperature	-25 °C to 70 °C (Term 24V) / -40 °C to 85 °C
Ingress protection class	IP 66
Enclosure material	High grade aluminium alloy (AL - SI 12)
Finish	Painted RAL 7001
PROFIBUS-DP connection	Tension clamp terminals 0.5 - 1.5 mm <sup>2</sup>
Cable entry	Cable gland M16
Cable gland clamping range	5.5 - 9.5 mm
Contact surface	M12 plug/socket CuZnAu
Transmission rate	Max. 1.5 MBaud
Power supply bus connection	Bus terminator 24 VDC +/-10 % or 5 V
Trunk cable via cable gland	

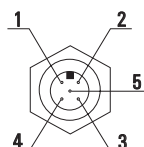
### Installation advice

Torques	
M16 cable gland at enclosure	6.0 Nm
Union nut, M16 cable gland	4.0 Nm
Enclosure cover	1.8 - 2.0 N
External earthing cable	1.8 - 2.0 Nm
Adaptor/stud cable	0.5 Nm

### Pin assignment

Pin no.	Connection	Wire colour
Pin 1	unassigned	
Pin 2	RxDx/TxD-N / A-wire	green
Pin 3	unassigned	
Pin 4	RxDx/TxD-N / B-wire	red
Pin 5	shield	
Cable gland	shield	

### Socket B-coded





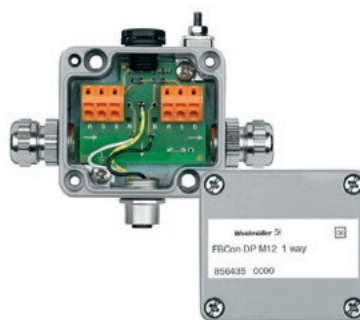
1-channel distributor



Ordering data

Type	Cable glands	Qty.	Order No.
<b>Aluminium housing</b>			
FBCon DP CG 1WAY	branch line CG	1	8564340000
<b>Stainless steel housing</b>			
FBCon SS DP PCG 1WAY	all connections PCG	1	8714260000

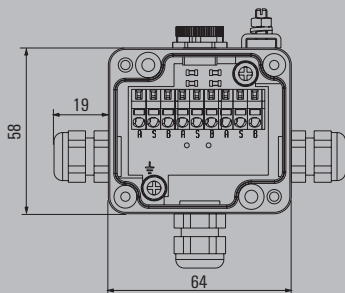
1-channel distributor



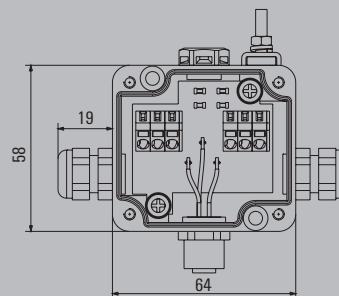
Ordering data

Type	Cable glands	Qty.	Order No.
<b>Aluminium housing</b>			
FBCon DP M12 1WAY	branch line M12	1	8564350000

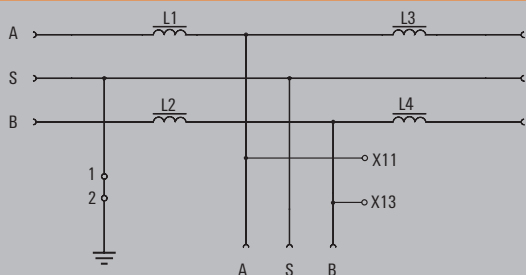
Dimensioned drawing



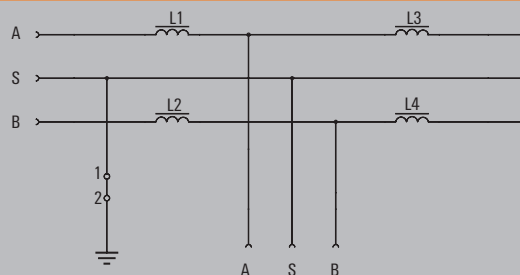
Dimensioned drawing



Wiring diagram

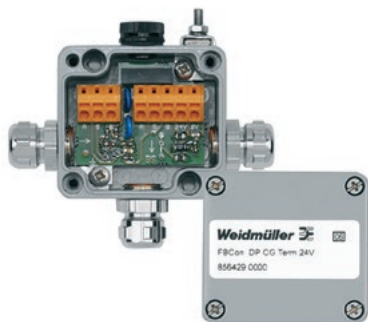


Wiring diagram



## PROFIBUS-DP - FBCon T-distributor

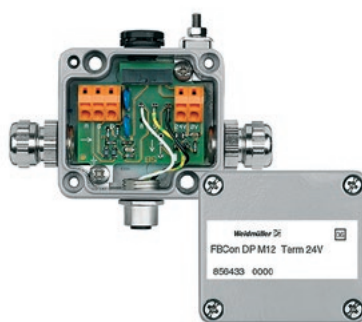
### Terminator



### Ordering data

Type	Cable glands	Qty.	Order No.
<b>Aluminium housing</b>			
FBCon DP CG TERM 24V	branch line CG	1	<b>8564290000</b>
<b>Stainless steel housing</b>			
FBCon SS DP PCG TERM 24V	all connections PCG	1	<b>8714240000</b>

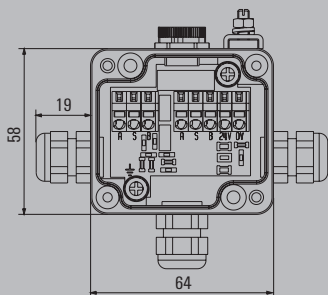
### Terminator



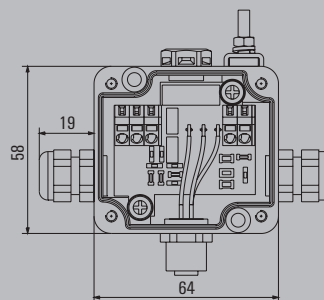
### Ordering data

Type	Cable glands	Qty.	Order No.
<b>Aluminium housing</b>			
FBCon DP M12 TERM 24V	branch line M12	1	<b>8564330000</b>
FBCon DP M12 TERM 5V	branch line M12	1	<b>8564320000</b>

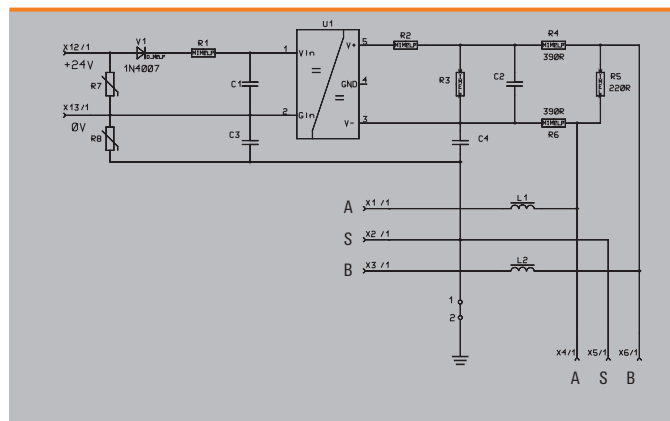
### Dimensioned drawing



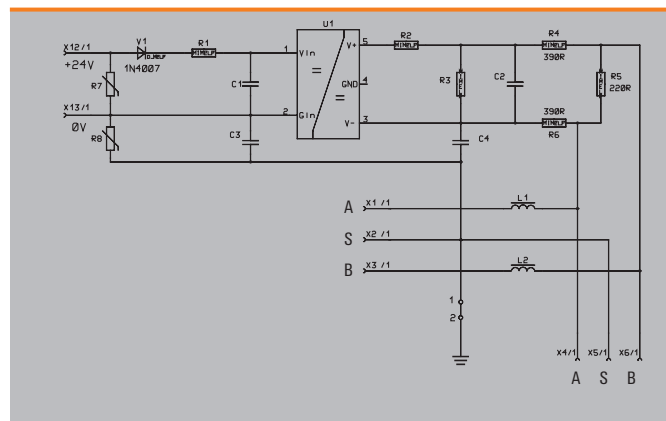
### Dimensioned drawing



### Wiring diagram



### Wiring diagram



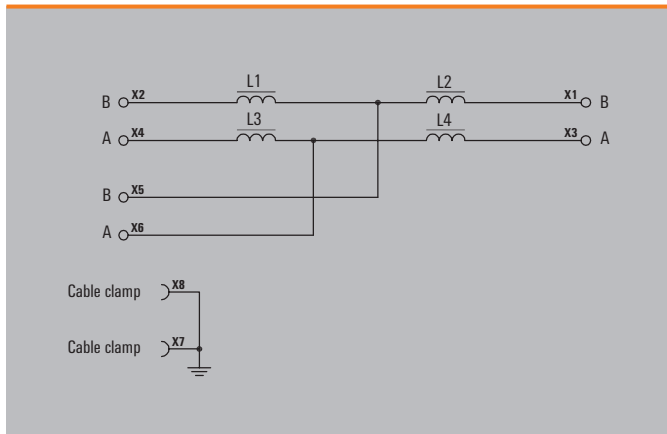
# PROFIBUS-DP IP 20 T-distributor



The distributor for PROFIBUS-DP enables the user to connect it conveniently in the electrical cabinet. It can be mounted on TS 32/35 rails and used to connect standardised PROFIBUS-DP lines. Spur cables can also be connected. Please note that spur cables should be kept as short as possible. Part No. 8788580000 has a 9-pin D-Sub socket for connecting analysis/programming devices.

- T-piece functions
- Good shield contact
- Ample space for connecting the bus cable
- TS 32/35 terminal rail mounting
- Standardised D-Sub connection for PROFIBUS-DP

## RS PB-DP T



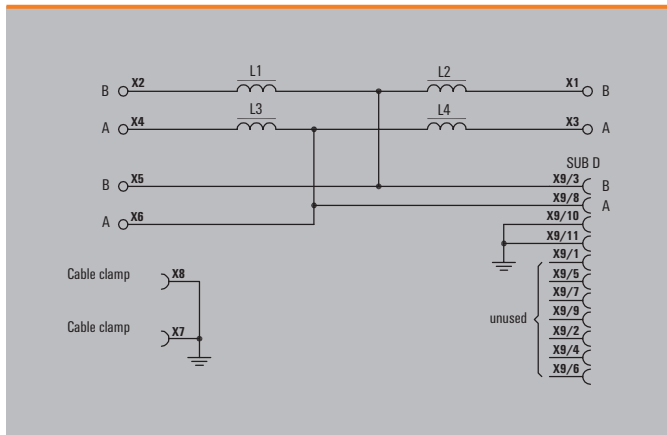
## Technical data

Data transmission rate		max. 1.5 Mbps (with max. 6.6 m spur line) max. 12 Mbps (no spur lines)
Operating temperature	°C	0 ... 55
Storage temperature	°C	-25 ... +60
Ingress protection class		IP 20
Dimensions (LxWxH)	mm	70 x 45 x 42
Plug-in connector		D-sub 9-pin
Cable diameter	mm	4.5 ... 8
Single conductor cross-section	mm <sup>2</sup>	0.5 ... 2.5
Type of connection		screw
Note		

## Ordering data

Type	Qty.	Order No.
RS PB-DP T	1	8800040000
RS PB-DP T SUB-D	1	8788580000

## RS PB-DP T SUB-D





**The PROFIBUS-PA** is an open fieldbus standard (EN 50170, IEC 61158-2, DIN 19245). It was specifically designed for the requirements of process engineering, such as remote powering and intrinsic safety. The PROFIBUS-PA enables operation of several PA sensors and actuators on one bus line.

The devices are powered using twin cable technology, and the transmission of process data is digital.

Integration in the PROFIBUS-DP network is done by means of a segment coupler.

Specific advantages of PROFIBUS-PA:

- Low wiring costs
- Minimal planning costs for the process control system
- Remote interrogation or programming of the field device
- Further development and support by the PROFIBUS User Organisation

Whether for servicing or system modification, the PROFIBUS-PA FB connectors from Weidmüller enable connection or replacement of field devices without interrupting the bus system.

An extensive range of accessories, such as pre-assembled cables are also available.





**PROFIBUS-PA cables**



**PROFIBUS-PA connectors**



**Profibus PA distributors**



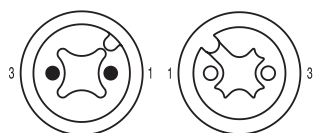


## PROFIBUS-PA - cables

One end without connector

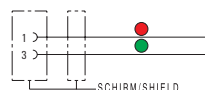
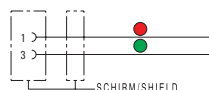
M12

A-coded



Male

Female



### Ordering data

		blue	black		
<b>Male, straight</b>					
PVC	1.0 m	FBCEX PA M12 M 1M	1785150100	FBC PA M12 M 1M	1785120100
<b>Male, angled</b>					
PVC	1.0 m	FBCEX PA M12 MA 1M	1076580100	FBC PA M12 MA 1M	1076540100
<b>Female, straight</b>					
PVC	1.0 m	FBCEX PA M12 FM 1M	1785140100	FBC PA M12 FM 1M	1785110100
<b>Female, angled</b>					
PVC	1.0 m	FBCEX PA M12 FMA 1M	1076520100	FBC PA M12 FMA 1M	1076530100
<b>Note</b>					

### Standard cable lengths

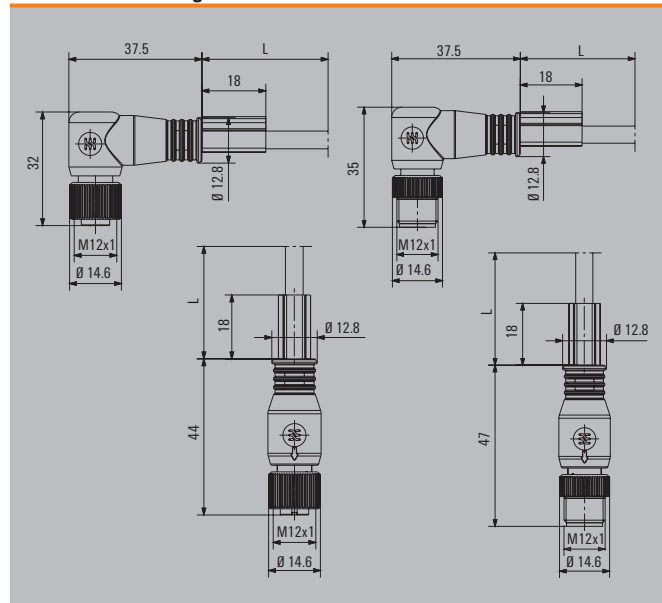
All cables listed in the ordering data have a length of 1.5 metres. The last four ordering digits must be changed when ordering other standard cable lengths.	1.0 m	xxxxxx0100
	2.0 m	xxxxxx0200
	5.0 m	xxxxxx0500
	10.0 m	xxxxxx1000

### Technical data

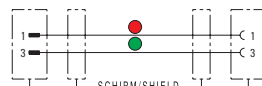
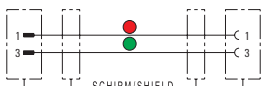
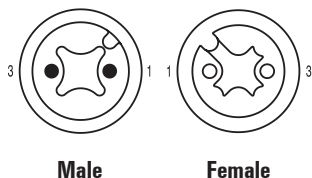
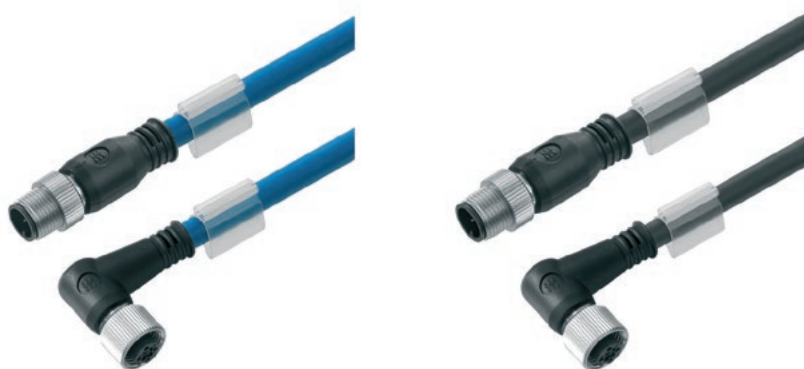
Cladding colour	black, blue
Protection degree	IP67
Core cross-section	1 mm <sup>2</sup>
Contact surface	Gold-plated
Temperature range of housing	-25...+80 °C
Coding	A

Chapter W includes additional technical specifications for the cable

### Dimensioned drawing



**PROFIBUS-PA cables**  
Connecting line



**Ordering data**

<b>Male, straight - Female, straight</b>	
PVC	1.0 m
<b>Male, straight - Female, angled</b>	
PVC	1.0 m
<b>Male, angled - Female, angled</b>	
PVC	1.0 m
<b>Male, angled - female, straight</b>	
PVC	1.0 m
<b>Note</b>	

	blue
FBCEX PA M12 M-FM 1M	1785130100
FBCEX PA M12 M-FMA 1M	1075390100
FBCEX PA M12 MA-FMA 1M	1075410100
FBCEX PA M12 MA-FM 1M	1075450100

	black
FBC PA M12 M-FM 1M	1785100100
FBC PA M12 M-FMA 1M	1075620100
FBC PA M12 MA-FMA 1M	1076550100
FBC PA M12 MA-FM 1M	1075460100



**Standard cable lengths**

All cables listed in the ordering data have a length of 1.5 metres. The last four ordering digits must be changed when ordering other standard cable lengths.

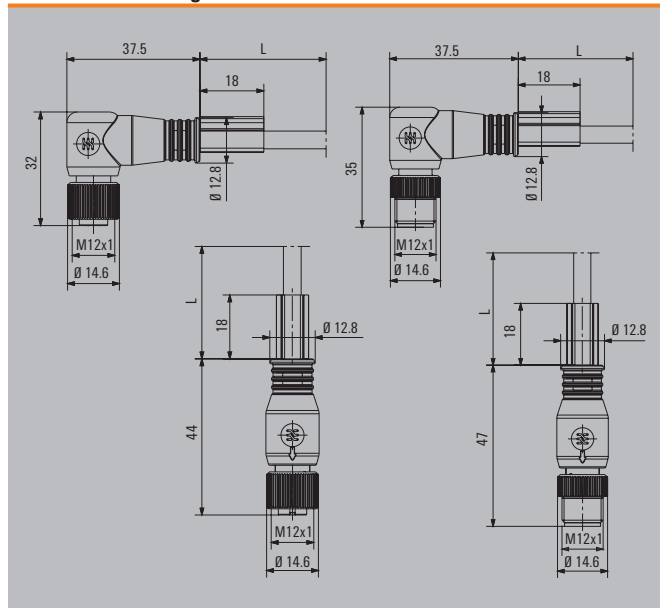
1.0 m	xxxxxx0100
2.0 m	xxxxxx0200
5.0 m	xxxxxx0500
10.0 m	xxxxxx1000

**Technical data**

Cladding colour	black, blue
Protection degree	IP67
Core cross-section	1 mm <sup>2</sup>
Contact surface	Gold-plated
Temperature range of housing	-25...+80 °C
Coding	A

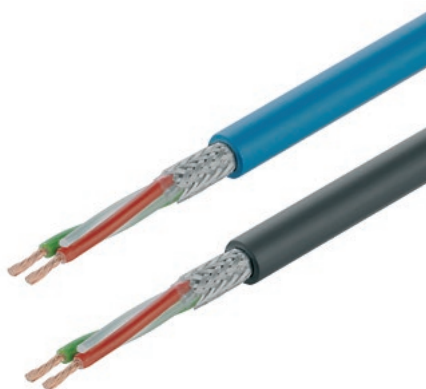
Chapter W includes additional technical specifications for the cable

**Dimensioned drawing**



## PROFIBUS-PA - cables

### PROFIBUS-PA bulk lengths

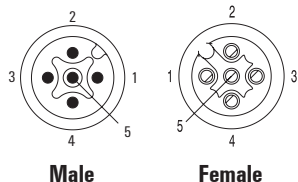


#### Technical data

PROFIBUS-PA bulk lengths							
Application	<ul style="list-style-type: none"> <li>Fieldbus cable for PROFIBUS-PA field networks in accordance with IEC 1158-2</li> <li>The cable is suitable for installation in both dry and humid spaces. When used with the black, UV-resistant cladding, it can also be installed outdoors.</li> </ul>						
General characteristics	<p>None of the materials used for the cables during production are detrimental to paint adhesion (<b>they are LBS-free</b>).</p> <p><b>LBS</b> = Materials detrimental to paint adhesion</p>						
<b>Assembly</b>							
Conductor	Copper wire, without insulation, 1.0 mm <sup>2</sup> , finely stranded						
Insulating sleeve	Foam skin (O2YS), wire Ø approx. 2.55 mm						
	Wire colours: red and green						
Stranding	2 wires with 2 drain wires approx. 1.0 mm Ø stranded						
Wrapping	1 layer insulation foil						
Shield	Braiding made from tin-plated copper wire, Coverage 85 % ± 5						
Outer cladding	PVC, blue RAL 5015 or black Outer diameter: 8.0 mm ± 0.4						
<b>Electrical characteristics at 20 °C</b>							
Wire resistance (loop)	max. 44 Ω/km						
Insulation resistance	min. 5 GΩ x km						
Working capacity at 800 Hz	nom. 52 nF/km						
Inductance at 800 Hz	approx. 0.4 mH/km						
Characteristic impedance	at 31.25 kHz 100 Ω ± 20 % at ≥ 1 MHz nom. 80 Ω						
Wave attenuation	at 39 kHz max. 0.3 dB/100 m at 100 kHz nom. 0.35 dB/100 m at 1 MHz nom. 1.2 dB/100 m						
Signal dispersion speed	nom. 79 %						
Coupling resistance at < 30 MHz	max. 250 mΩ/m						
Operating voltage (not for three-phase use)	Peak value 100 V						
Test voltage	Wire/wire U <sub>eff.</sub> 1500 V Wire/shield U <sub>eff.</sub> 1500 V						
<b>Mechanical and thermal characteristics</b>							
Min. bending radius stationary installed / during installation	65 mm						
Temperature range during installation	-5 °C to +60 °C						
Temperature range stationary installed	-30 °C to +80 °C						
Flammability	Flame retardant in accordance with VDE 0482, part 265-2-1 / IEC 60 332-1						
<b>Note</b>							
<b>Ordering data</b>							
	<table border="1"> <thead> <tr> <th>Type</th> <th>Order No.</th> </tr> </thead> <tbody> <tr> <td>SAIH-PB-PA-2X1.0-PVC-BL</td> <td>1232630000</td> </tr> <tr> <td>SAIH-PB-PA-2X1.0-PVC-SW</td> <td>1232640000</td> </tr> </tbody> </table>	Type	Order No.	SAIH-PB-PA-2X1.0-PVC-BL	1232630000	SAIH-PB-PA-2X1.0-PVC-SW	1232640000
Type	Order No.						
SAIH-PB-PA-2X1.0-PVC-BL	1232630000						
SAIH-PB-PA-2X1.0-PVC-SW	1232640000						
<b>Note</b>							



M12 screw connection with shield connection A-coded



FBCon / SAIS

Straight



SAISW / SAIBW

Angled



Ordering data

Male	
	4-pole. PG 9
	5-pole. PG 9
Female	
	4-pole. PG 9
	5-pole. PG 7
	5-pole. PG 9
Note	

Type	Qty.	Order No.
FBCON M12 4P M EMC	1	9455640000
SAIS-M-5/8S M12 5P A-COD	1	1784740000
Other versions on request		
FBCON M12 4P FM EMC	1	8426220000
SAIBM-5/6S M12 5P A-COD	1	1191020000
SAIB-M-5/8S M12 5P A-COD	1	1784750000
Other versions on request		

Type	Qty.	Order No.
SAISW-M-4/8 M12	1	1803930000
SAISW-M-5/8 M12	1	1803940000
Other versions on request		
SAIBW-M-4/8 M12	1	1803910000
SAIBW-M-5/8 M12	1	1803920000
Other versions on request		

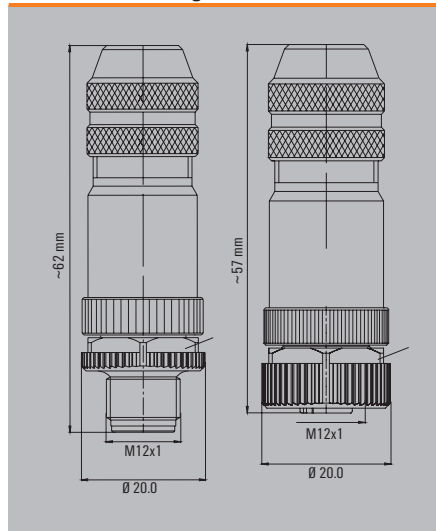
Technical data

Type of connection	Screw connection
Housing main material	CuZn
Connection thread	M12
Cable diameter	4...6 mm (PG7)/ 6...8 mm (PG9)
Wire cross-section, min. / max.	0.14...0.75 mm <sup>2</sup>
Rated current	4 A
Rated voltage	250 V (4-pole) / 60 V (5-pole)
Temperature range of housing	-40 ... +85 °C
Protection degree	IP67
Contact surface	Gold-plated
Note	

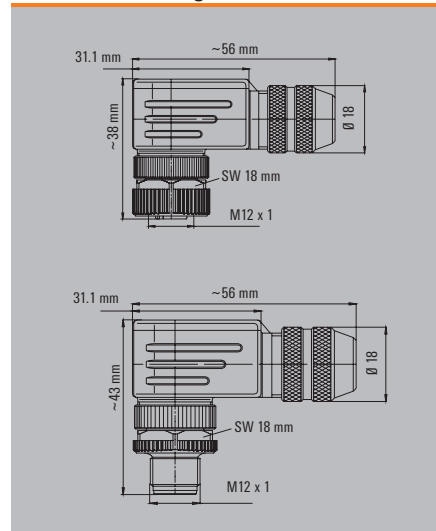
Type of connection	Screw connection
Housing main material	CuZn
Connection thread	M12
Cable diameter	6...8 mm (PG9)
Wire cross-section, min. / max.	0.14...0.75 mm <sup>2</sup>
Rated current	4 A
Rated voltage	250 V (4-pole) / 60 V (5-pole)
Temperature range of housing	-40 ... +85 °C
Protection degree	IP67
Contact surface	Gold-plated
Note	

Type of connection	Screw connection
Housing main material	CuZn
Connection thread	M12
Cable diameter	6...8 mm (PG9)
Wire cross-section, min. / max.	0.14...0.75 mm <sup>2</sup>
Rated current	4 A
Rated voltage	250 V (4-pole) / 60 V (5-pole)
Temperature range of housing	-40 ... +85 °C
Protection degree	IP67
Contact surface	Gold-plated
Note	

Dimensioned drawing



Dimensioned drawing



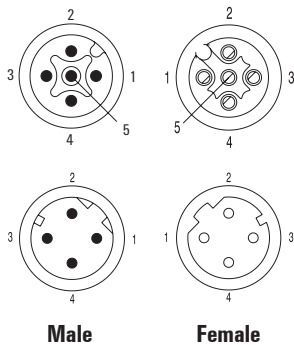
PROFIBUS PA - connectors

M12 tension-clamp connection, stainless steel with shield connection  
A-coded



SAIS / SAIB VA

Straight



Ordering data

<b>Male</b>	A-coded, 5-pole, PG 9
<b>Female</b>	A-coded, 5-pole, PG 9
<b>Note</b>	

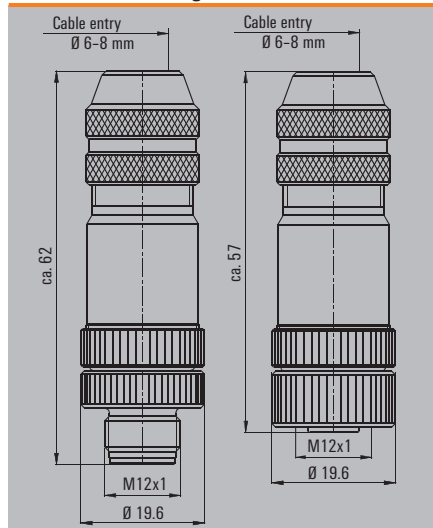
Type	Qty.	Order No.
SAIS 5/9-VA	1	1920700000
SAIB 5/9-VA	1	1920710000

Technical data

Type of connection	Tension-clamp connection
Housing main material	1.4404/316L
Connection thread	M12
Cable diameter	6..8 mm (PG9)
Wire cross-section, min. / max.	0.25...0.5 mm <sup>2</sup>
Rated current	4 A
Rated voltage	60 V
Temperature range of housing	-40 ... +85 °C
Protection degree	IP69K
Contact surface	Gold-plated
<b>Note</b>	

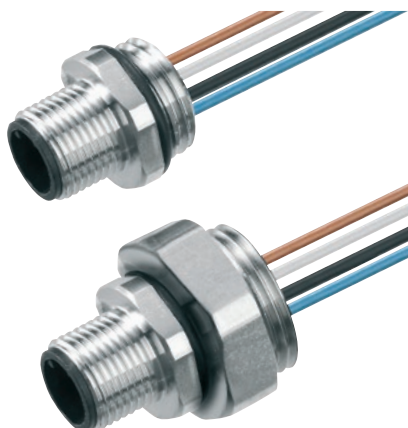
Type of connection	Tension-clamp connection
Housing main material	1.4404/316L
Connection thread	M12
Cable diameter	6..8 mm (PG9)
Wire cross-section, min. / max.	0.25...0.5 mm <sup>2</sup>
Rated current	4 A
Rated voltage	60 V
Temperature range of housing	-40 ... +85 °C
Protection degree	IP69K
Contact surface	Gold-plated
<b>Note</b>	

Dimensioned drawing



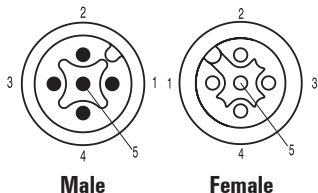
**Built-in connectors, stainless steel**

Front panel installation, PG9 mounting thread



**Nickel-plated brass built-in plug connector**

Front panel installation, can be freely positioned, PG13.5 / M20 mounting thread



**Technical data**

No. of poles	4
Version	pin
Temperature range	-40 °C ... 85 °C
Housing material	stainless steel (VA)
Connection thread	PG 9
Plug thread	M12
Strand cross-section	0.34 mm <sup>2</sup>
Housing class of protection to DIN 40050 IEC 529	IP 67
Strand length (fitted with wire-end ferrules)	200 mm
Nominal current per contact	4 A
Rated voltage	250 V
Contact surface	gold-plated
Type of connection	screw
Flammability class to UL-94	
Nominal voltage to VDE standard 0110/ISO Group C	
Resistance to creepage	
Contact resistance to IEC 512 Part 2	
Insulation resistance to IEC 512 Part 2	

No. of poles	4/5
Version	pin
Temperature range	-40 °C ... 85 °C
Housing material	Cu Zn nickel surface
Connection thread	PG 13.5 / M 20
Plug thread	M12
Strand cross-section	0.34 mm <sup>2</sup>
Housing class of protection to DIN 40050 IEC 529	IP 67
Strand length (fitted with wire-end ferrules)	150/300 mm
Nominal current per contact	4 A
Rated voltage	125 V 5-pole/250 V 4-pole
Contact surface	CuZnAu
Type of connection	screw
Flammability class to UL-94	V-2
Nominal voltage to VDE standard 0110/ISO Group C	125 V ~ 150 V =
Resistance to creepage	KC 600
Contact resistance to IEC 512 Part 2	≤ 8 mΩ
Insulation resistance to IEC 512 Part 2	≥ 10 <sup>12</sup> Ω

No. of poles	4/5
Version	pin
Temperature range	-40 °C ... 85 °C
Housing material	Cu Zn nickel surface
Connection thread	PG 13.5 / M 20
Plug thread	M12
Strand cross-section	0.34 mm <sup>2</sup>
Housing class of protection to DIN 40050 IEC 529	IP 67
Strand length (fitted with wire-end ferrules)	150/300 mm
Nominal current per contact	4 A
Rated voltage	125 V 5-pole/250 V 4-pole
Contact surface	CuZnAu
Type of connection	screw
Flammability class to UL-94	V-2
Nominal voltage to VDE standard 0110/ISO Group C	125 V ~ 150 V =
Resistance to creepage	KC 600
Contact resistance to IEC 512 Part 2	≤ 8 mΩ
Insulation resistance to IEC 512 Part 2	≥ 10 <sup>12</sup> Ω

**Hinweis**

**Ordering data**

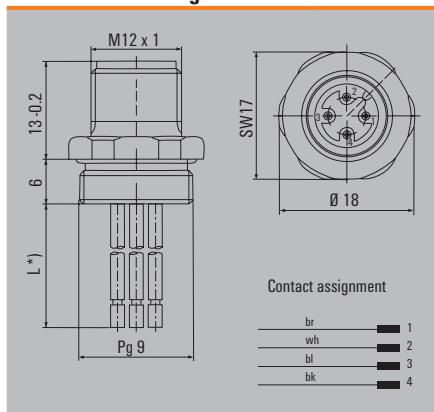
- A-Coded, PG9, Strand length: 200 mm
- A-Coded, PG13,5, Strand length: 150 mm
- A-Coded, PG13,5, Strand length: 300 mm
- A-Coded, M20, Strand length: 150 mm
- A-Coded, M20, Strand length: 300 mm
- B-Coded, M20, Strand length: 300 mm
- Adapter PG9 / M20

**Note**

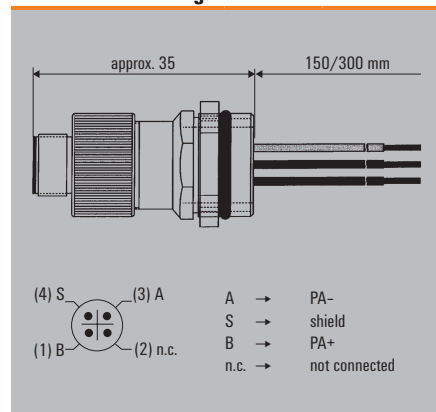
Type	Qty.	Order No.
SAIE-M12S-4-0.2U-AEH-VA	1	1861220001
SAIE-EW-M20/PG9-SW24-VA	1	1950270000

Type	Qty.	Order No.
POS-4P M12 PG13,5 150mm	1	9455650000
POS-4P M12 PG13,5 300 mm	1	8425910000
POS-4P M12 M20 150mm	1	8425930000
POS-4P M12 M20 300mm	1	8425940000
POS-5P M12/M20 300MM	1	1795500000

**Dimensioned drawing**



**Dimensioned drawing**



**Fitting information**

	Torque settings
Set screw	1.8 - 2.0 Nm
Knurled ring	hand-tight
Lock-nut	6.25 Nm

If the device is exposed to vibration, we recommend using a stub cable to isolate the device from the vibration.

## FBCon distributors for the industrial market



### PROFIBUS-PA T-connector

- for industrial applications
- standard

The **PROFIBUS-PA** installation products are increasingly used in the:

- food and beverage industry
- process industries and
- chemical industry

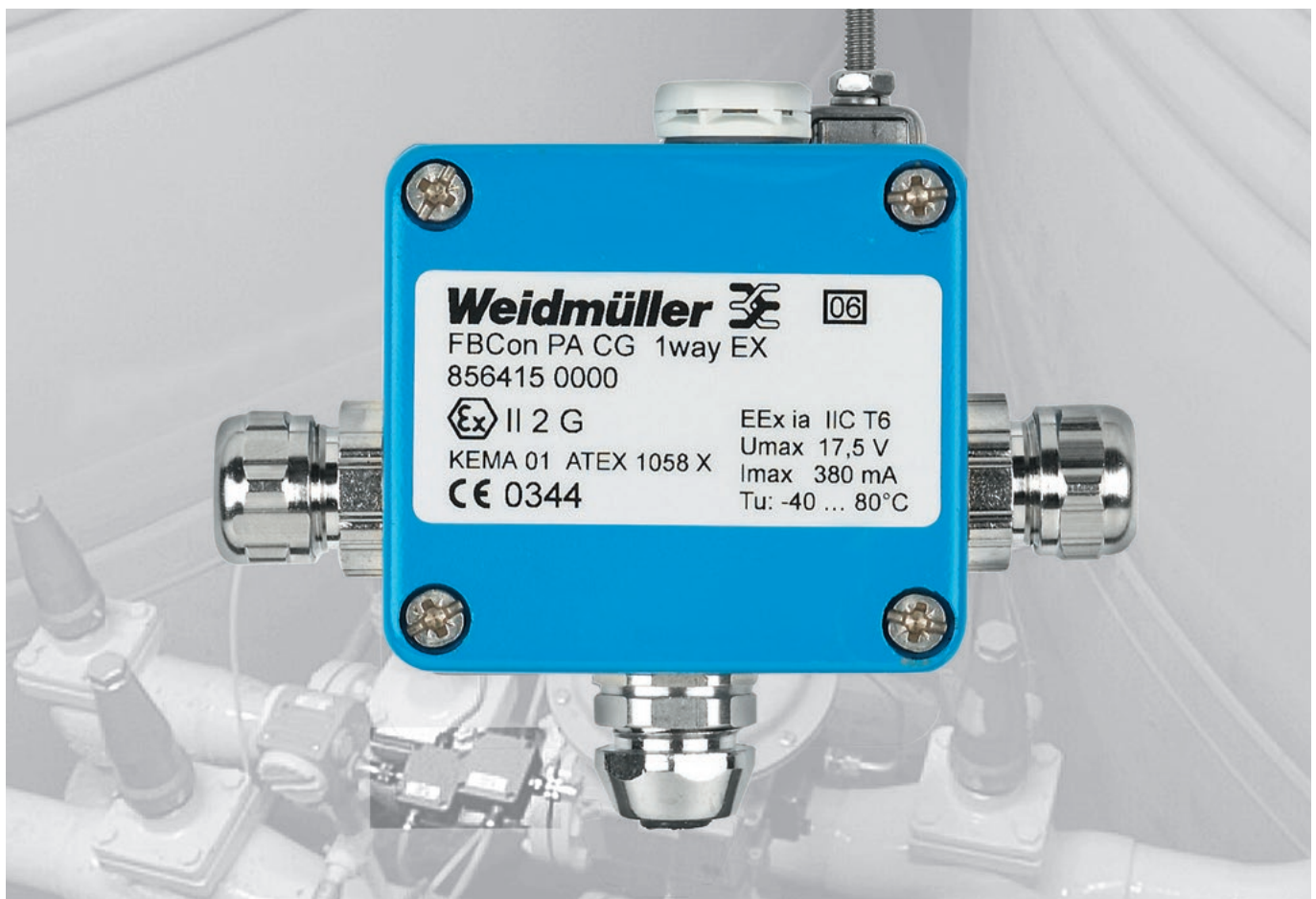
The product range offers a wide choice of customer solutions for use in harsh conditions. This includes standard and EX versions of single and multi-way design with M12 plug-in connection or cable glands. Weidmüller offers a solution for almost every application. If you cannot find your solution here, please contact the branch / sales office responsible for you.

### PROFIBUS-PA T-connector standard

- 1, 2, 4, 8-way with EMC cable gland  
Industrial + EX / ATEX
- Optional surge protection

The **PROFIBUS-PA T-connector** is intended for direct coupling of measuring devices, sensors, actuators, etc.

- IP 66 Ingress protection class
- Modular design
- Uninterruptible bus operation for service situations
- Simple handling
- Low installation costs
- External earth stud
- Pressure equalising element
- EMC cable gland



# FBCon Fieldbus distributor

## PROFIBUS-PA Fieldbus distributor: robust and well-tested

FBCon fieldbus distributors are available in industrial and Ex(ia) versions. They are used for coupling 1-8 field devices or sensors. The connection is made via a spur. The spur is connected by an M12 plug-in connector or directly via an EMC cable gland.

The communication and device powering is handled by a common 2-core wire.

The PROFIBUS-PA distributors normally feature a switchable terminating resistor. For the Ex zone, the terminating resistor is made with a separate box. Current limiting variants help to ensure that the facility can operate smoothly.

Weidmüller offers a comprehensive line of accessories including pre-assembled PROFIBUS-PA cables in the standard lengths, and plug in connectors for a wide variety of applications.

- Fieldbus distributor for PROFIBUS-PA and PROFIBUS-DP
- Standard distributor for use in the safe zone
- Aluminium housing for connecting from 1 to 8 field devices
- Stainless steel distributor for applications in the food processing industry, for connecting from 1 to 8 field devices
- Intrinsically safe (ia) Ex version in aluminium housing for connecting from 1 to 8 field devices
- EMC cable gland for a secure contact with the shielding

### Technical data for PROFIBUS-PA standard distributors

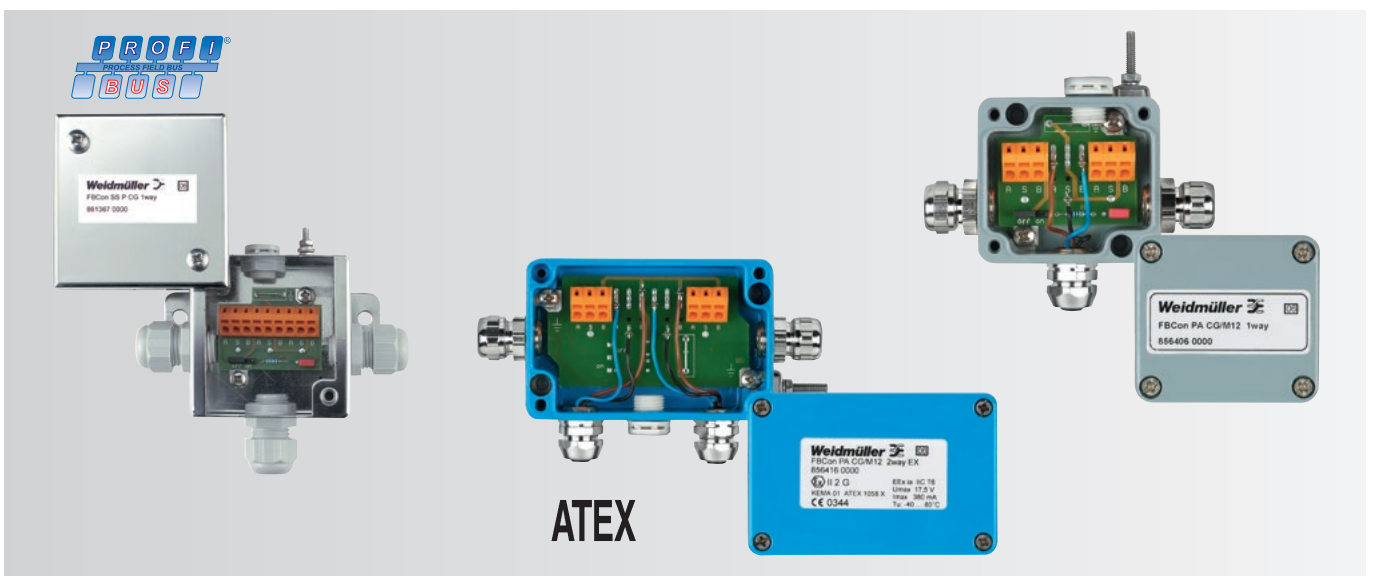
Temperature range	
Operating temperature	from -40 °C to 85 °C
Ingress protection class	IP 66
Housing material	High-quality aluminium alloy (AL-Si 12)
Surface	Stove-enamelled RAL 7001
PROFIBUS-PA connection	Tension clamp connection 0.5 - 1.5 mm <sup>2</sup>
Cable entry	Cable gland M16
Clamping range	5.5 - 9.5 mm
Measuring device connector M12 x 14-pin	Contacts MS, surface CUZnAu
Note	

### Handling information

Torques	
M16 gland to housing	6.25 Nm
M16 union nut on cable gland	4.5 Nm
Housing cover	1.8 - 2.0 Nm
External earth stud	1.8 - 2.0 Nm

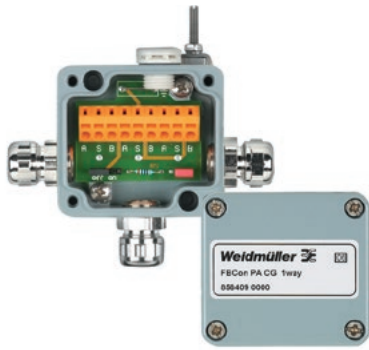
### Note:

We do not recommend to use PBCon products in strong saline environments.



**PROFIBUS-PA - FBCon T-distributor**

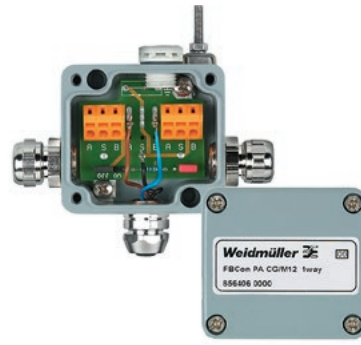
**1-channel distributor**



**Ordering data**

Type	Cable glands	Qty.	Order No.
<b>Aluminium housing</b>			
FBCon PA CG 1WAY	branch line CG	1	<b>8564090000</b>
<b>Stainless steel housing</b>			
FBCon SS CG 1WAY	branch line CG	1	<b>8703430000</b>
FBCon SS PCG 1WAY	all connections PCG	1	<b>8613670000</b>

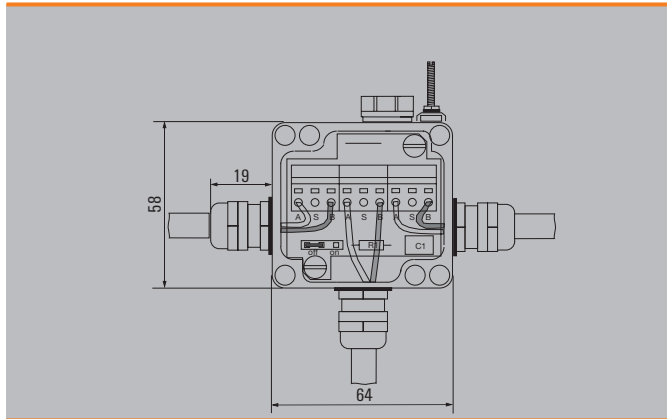
**1-channel distributor**



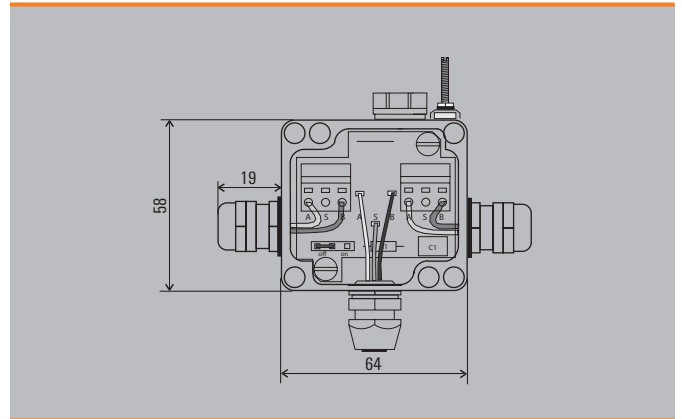
**Ordering data**

Type	Cable glands	Qty.	Order No.
<b>Aluminium housing</b>			
FBCon PA CG/M12 1WAY	branch line M12	1	<b>8564060000</b>

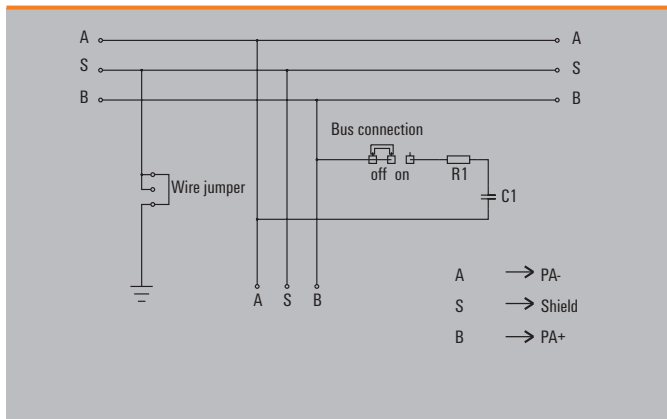
**Dimensioned drawing**



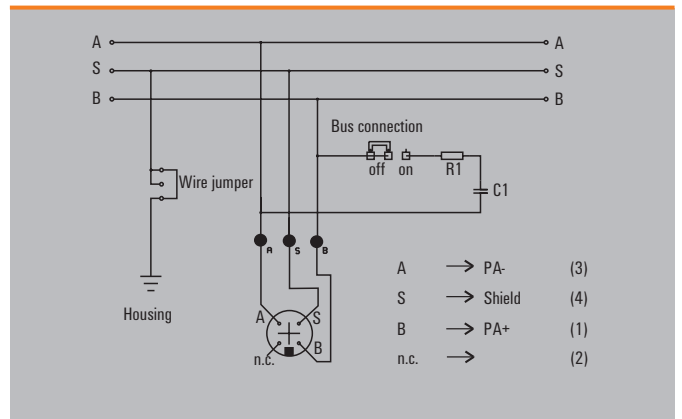
**Dimensioned drawing**



**Wiring diagram**



**Wiring diagram**



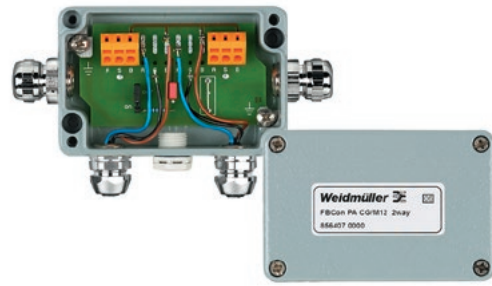
2-channel distributor



Ordering data

Type	Cable glands	Qty.	Order No.
Aluminium housing			
FBCON PA CG 2WAY	branch line CG	1	8564100000

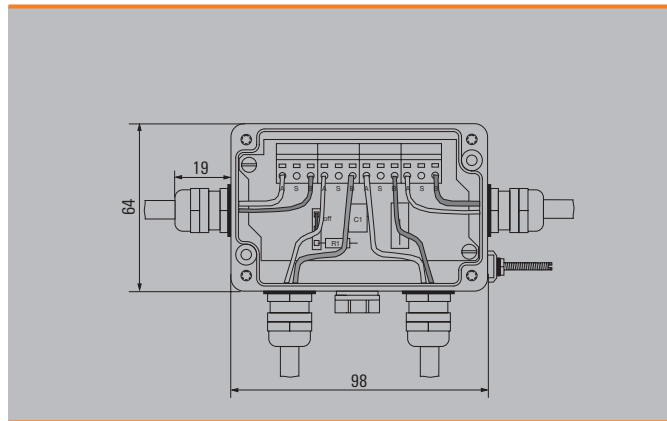
2-channel distributor



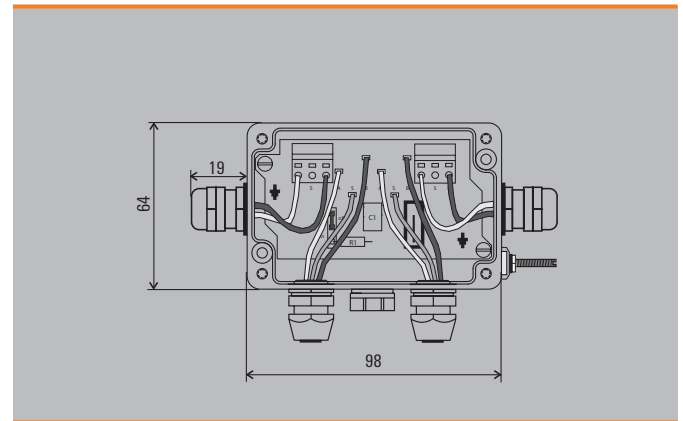
Ordering data

Type	Cable glands	Qty.	Order No.
Aluminium housing			
FBCON PA CG/M12 2WAY	branch line M12	1	8564070000

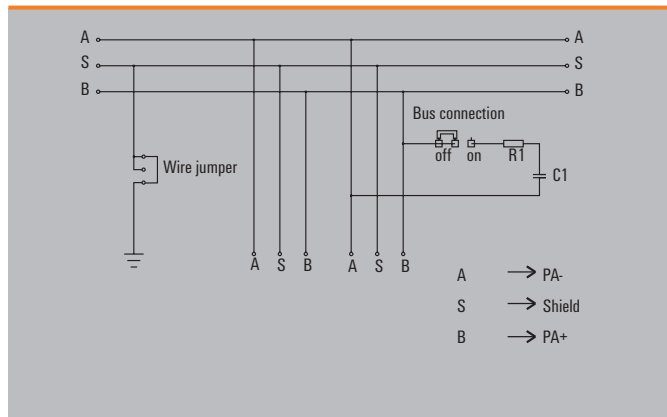
Dimensioned drawing



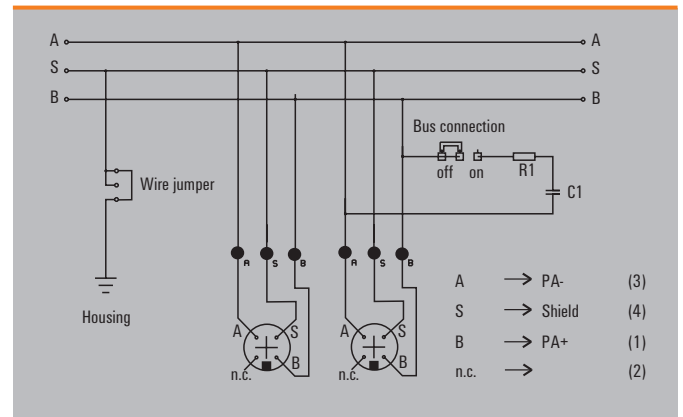
Dimensioned drawing



Wiring diagram



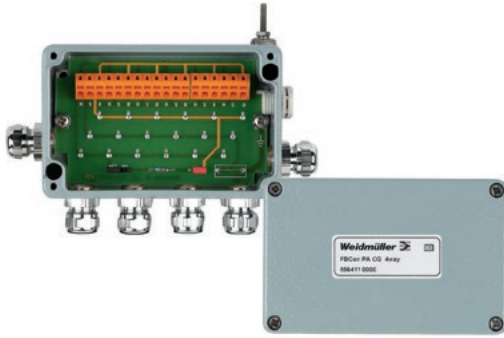
Wiring diagram





**PROFIBUS-PA - FBCon T-distributor**

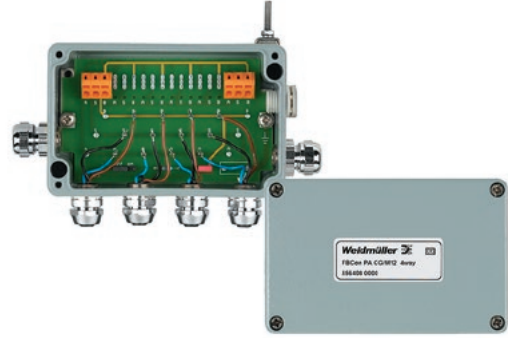
**4-channel distributor**



**Ordering data**

Type	Cable glands	Qty.	Order No.
<b>Aluminium housing</b>			
FBCon PA CG 4WAY	branch line CG	1	<b>8564110000</b>
<b>Stainless steel housing</b>			
FBCon SS CG 4WAY	branch line CG	1	<b>8703450000</b>
FBCon SS PCG 4WAY	all connections PCG	1	<b>8613680000</b>

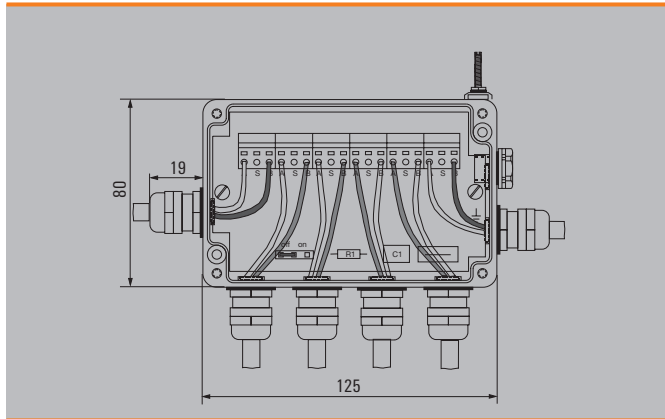
**4-channel distributor**



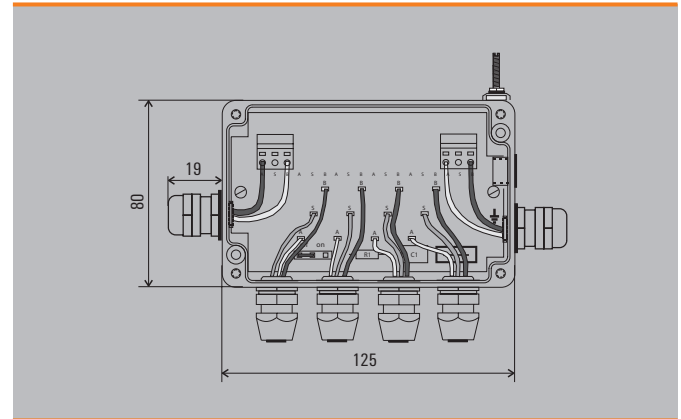
**Ordering data**

Type	Cable glands	Qty.	Order No.
<b>Aluminium housing</b>			
FBCon PA CG/M12 4WAY	branch line M12	1	<b>8564080000</b>

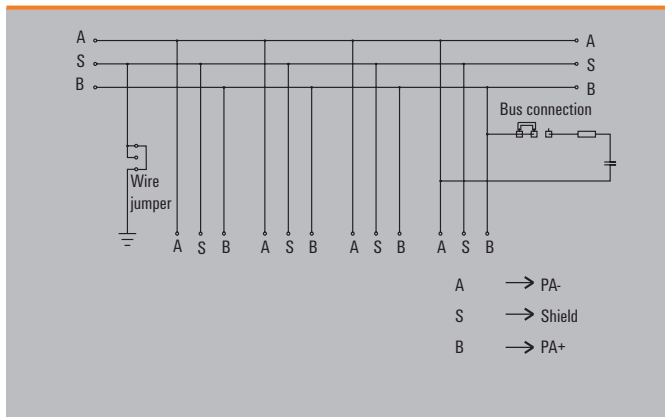
**Dimensioned drawing**



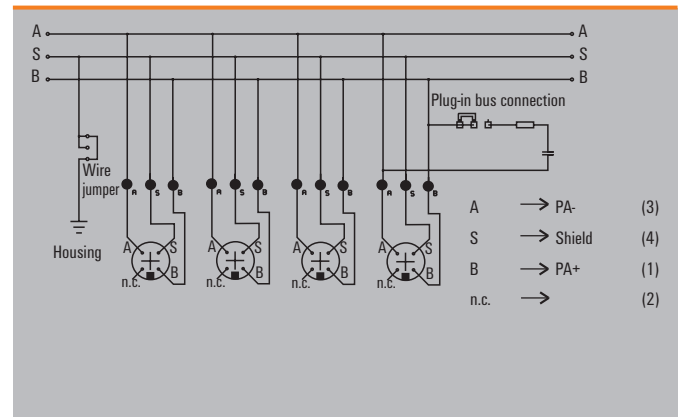
**Dimensioned drawing**



**Wiring diagram**

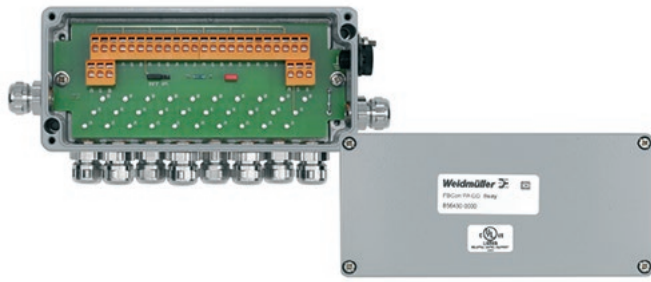


**Wiring diagram**





8-channel distributor



Ordering data

Type	Cable glands	Qty.	Order No.
<b>Aluminium housing</b>			
FBCon PA CG 8WAY	branch line CG	1	8564300000
<b>Stainless steel housing</b>			
FBCon SS CG 8WAY	branch line CG	1	8703470000

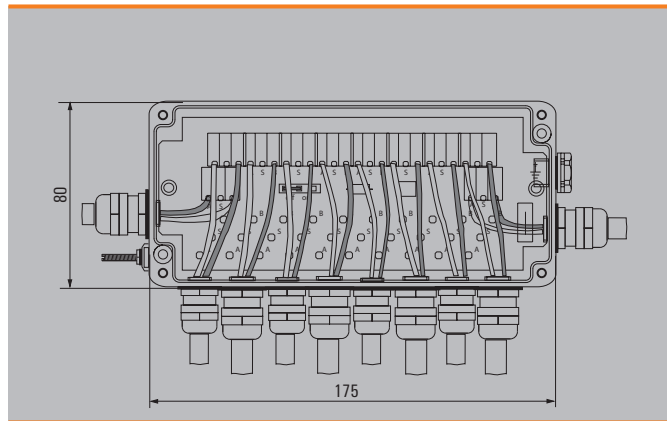
8-channel distributor



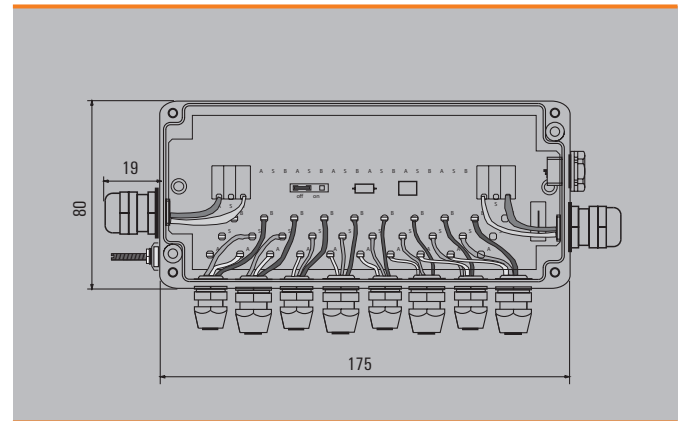
Ordering data

Type	Cable glands	Qty.	Order No.
<b>Aluminium housing</b>			
FBCon PA CG/M12 8WAY	branch line M12	1	8564310000

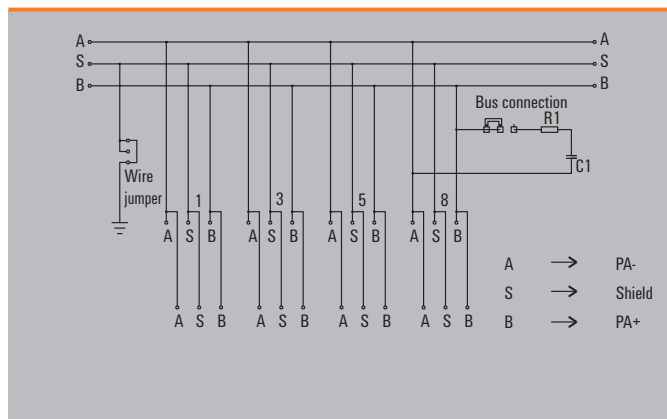
Dimensioned drawing



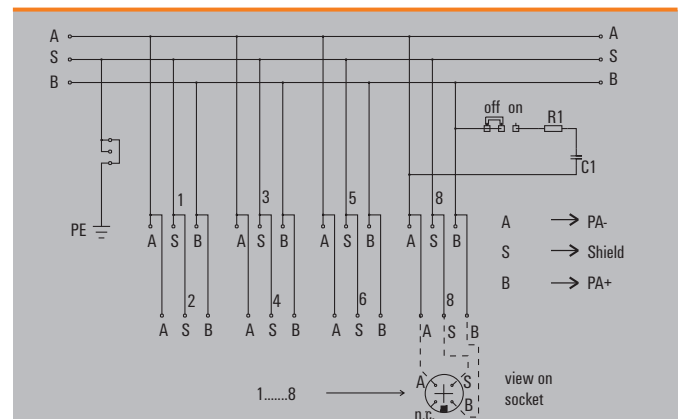
Dimensioned drawing



Wiring diagram

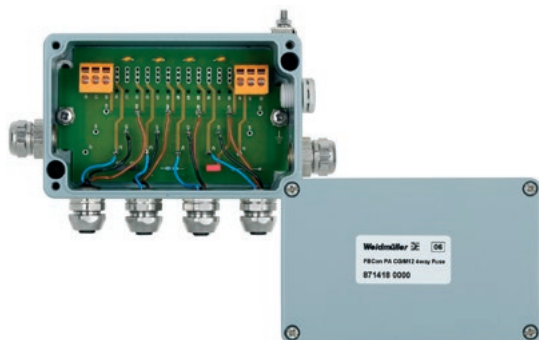


Wiring diagram



## PROFIBUS-PA - FBCon T-distributor with protective function

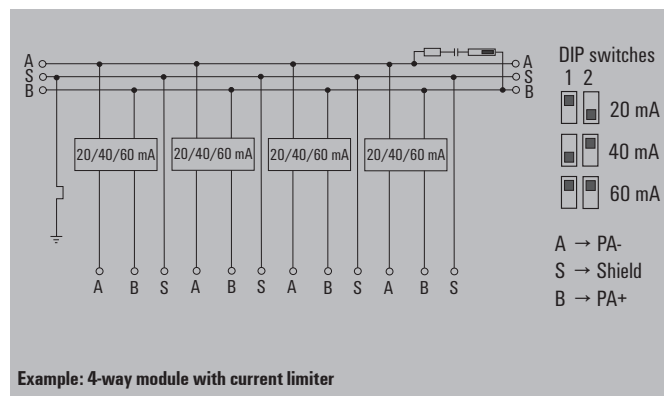
### Distributor for Profibus PA/Foundation Fieldbus



For standard industry applications (not explosive risk zones), PROFIBUS PA fieldbus distributors and segment protectors („limiters“) are available as 1-way, 2-way, 4-way and 8-way distributors.

FBCon segment protectors are designed to protect connected field devices against surge voltages and short circuits. Suppressor diodes are used as voltage-limiting protective elements. The integrated current limiting protects the segment against short circuits at a stub cable.

EMC cable glands, the IP66 protection class and a wide operating temperature range reliably protect your connections in harsh environments.



#### Limiters

##### Technical data

Operating temperature	-40 °C to 55 °C
Ingress protection class	IP 66
Enclosure material	High grade aluminium alloy (AL - SI 12)
Finish	Painted RAL 7001
PROFIBUS-PA connection	Tension clamp terminals 0.5 - 1.5 mm <sup>2</sup>
Cable entry	Cable gland M16
Branch	M12 socket (4-pin)
Cable gland clamping range	5.5 - 9.5 mm
Short-circuit protection per station	20, 40, 60 mA settings
PROFIBUS-PA bus terminator	Via jumper

##### Installation advice

Torques	
Screw terminals	0.4 Nm
M16 cable gland at enclosure	6.0 Nm
Union nut M16 cable gland	4.0 Nm
Enclosure cover	1.8 - 2.0 Nm
External earthing cable	1.8 - 2.0 Nm

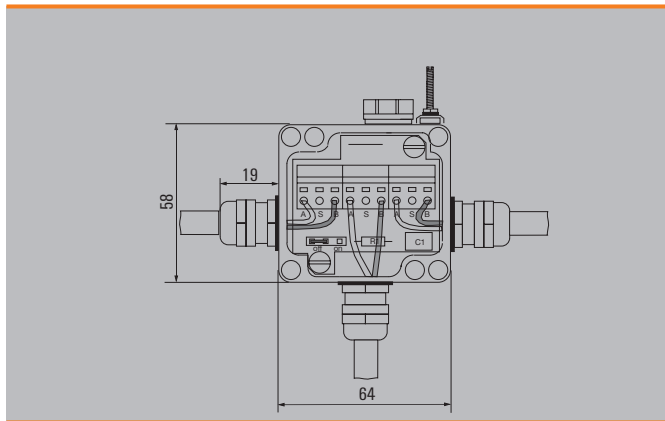
1-channel distributor (limiter)



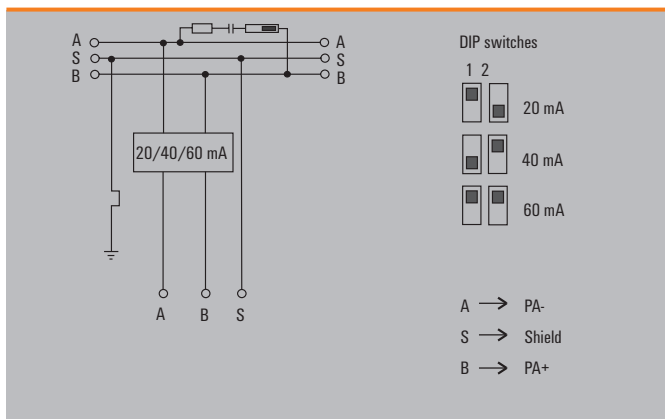
Ordering data

Type	Cable glands	Qty.	Order No.
<b>Aluminium housing</b>			
FBCON PA CG 1WAY LIMITER	branch line CG	1	8714200000
<b>Stainless steel housing</b>			
FBCON SS PCG 1WAY LIMITER	all connections PCG	1	8726110000

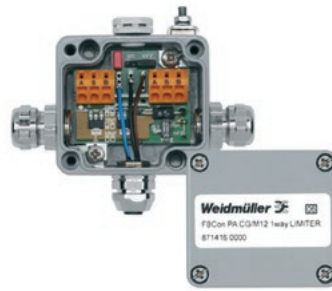
Dimensioned drawing



Wiring diagram



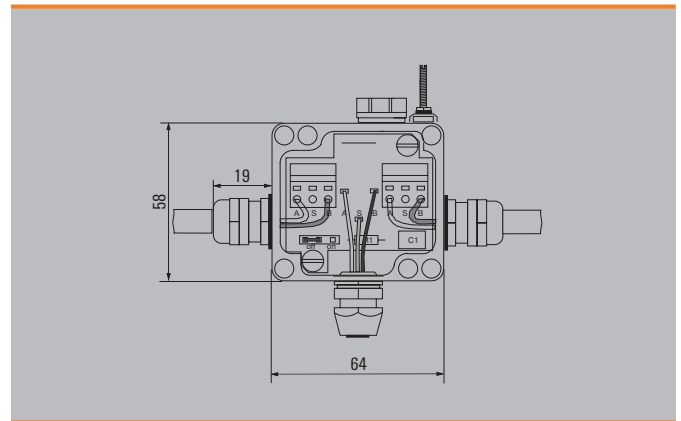
1-channel distributor (limiter)



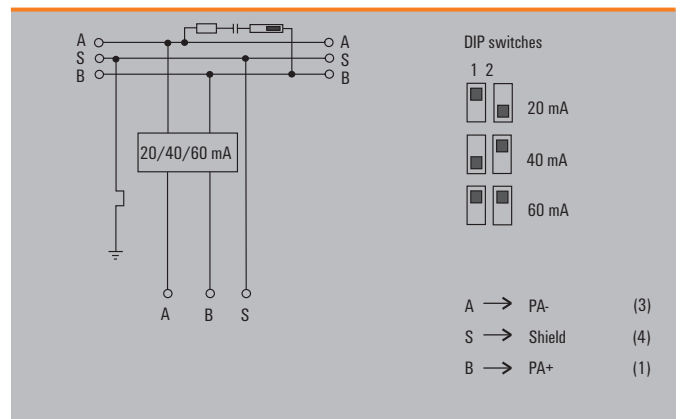
Ordering data

Type	Cable glands	Qty.	Order No.
<b>Aluminium housing</b>			
FBCON PA CG/M12 1WAY LIMITER	branch line M12	1	8714160000

Dimensioned drawing



Wiring diagram



**PROFIBUS-PA - FBCon T-distributor with protective function**

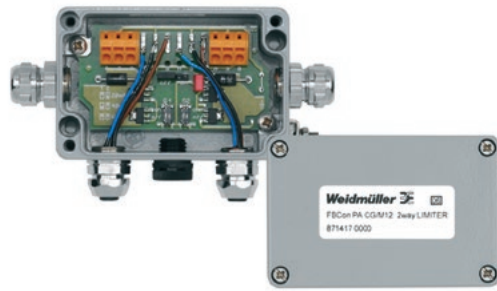
**2-channel distributor (limiter)**



**Ordering data**

Type	Cable glands	Qty.	Order No.
<b>Aluminium housing</b>			
FBCON PA CG 2WAY LIMITER	branch line CG	1	<b>8714210000</b>

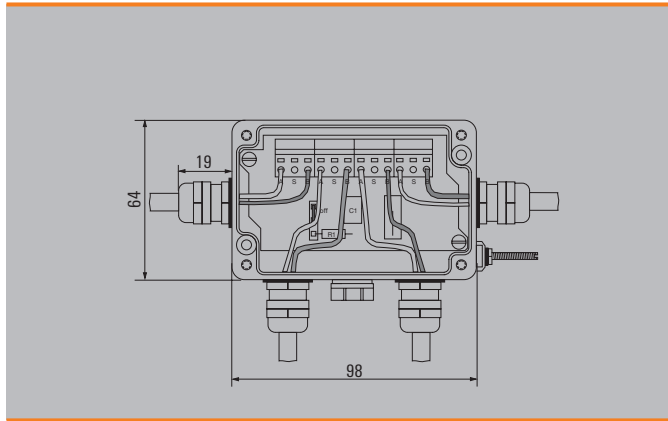
**2-channel distributor (limiter)**



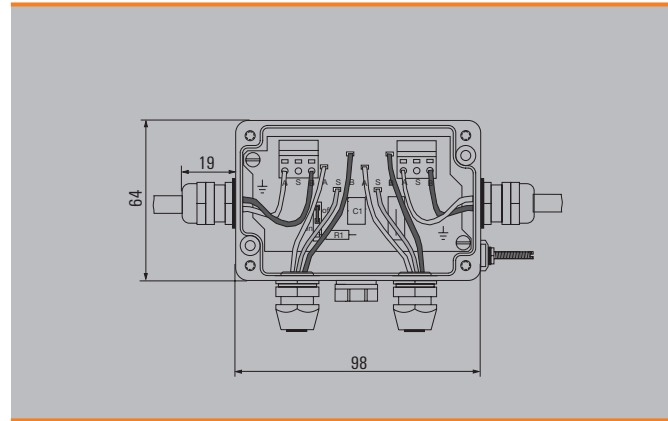
**Ordering data**

Type	Cable glands	Qty.	Order No.
<b>Aluminium housing</b>			
FBCON PA CG/M12 2WAY LIMITER	branch line M12	1	<b>8714170000</b>

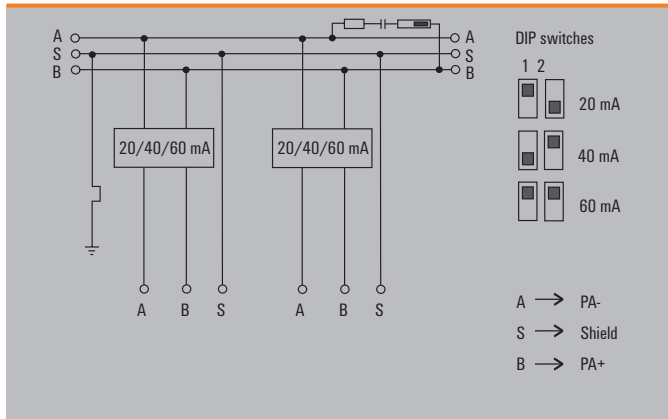
**Dimensioned drawing**



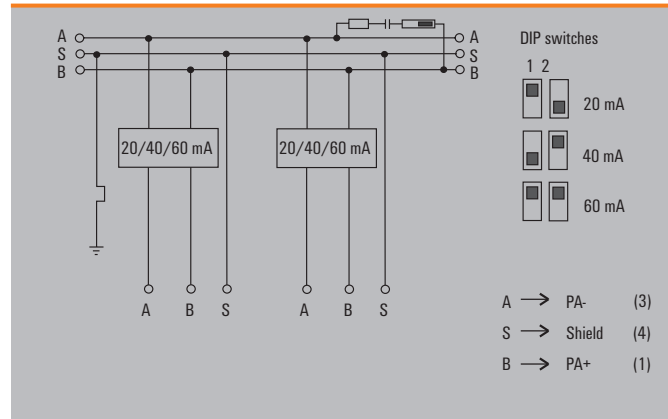
**Dimensioned drawing**



**Wiring diagram**



**Wiring diagram**



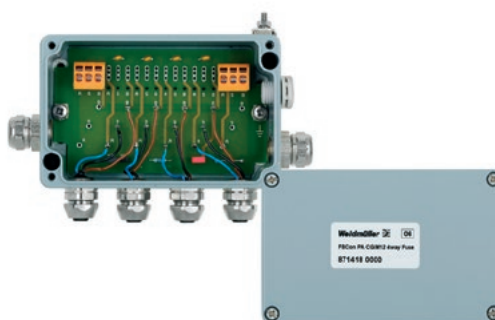
4-channel distributor (limiter)



Ordering data

Type	Cable glands	Qty.	Order No.
<b>Aluminium housing</b>			
FBCon PA CG 4WAY LIMITER	branch line CG	1	8714220000
<b>Stainless steel housing</b>			
FBCon SS PCG 4WAY LIMITER	all connections PCG	1	8715260000

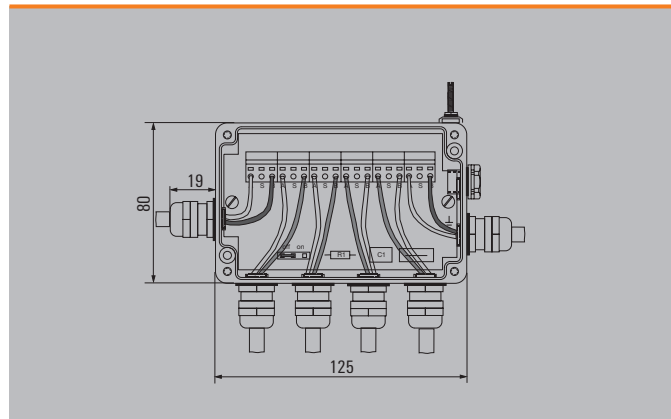
4-channel distributor (limiter)



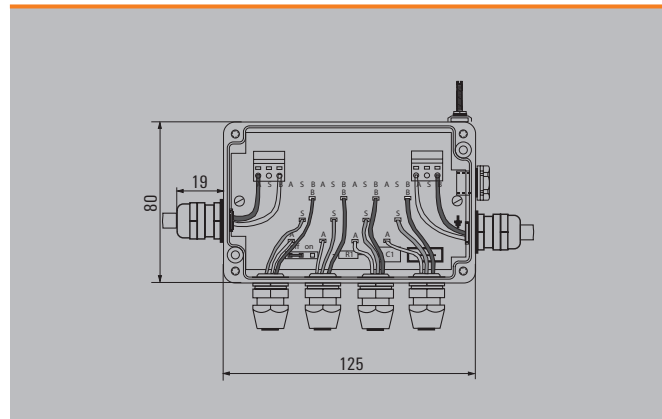
Ordering data

Type	Cable glands	Qty.	Order No.
<b>Aluminium housing</b>			
FBCon PA CG/M12 4WAY LIMITER	branch line M12	1	8714180000

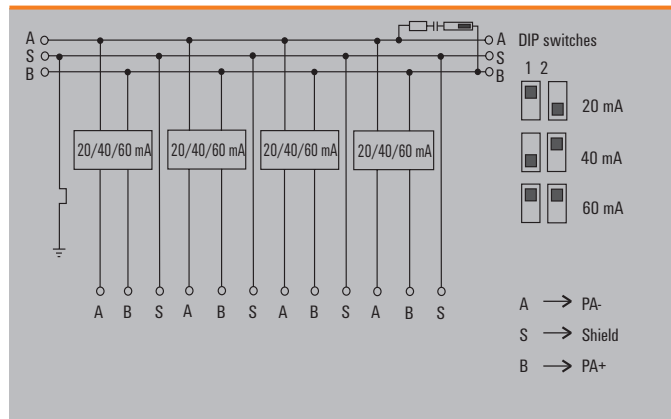
Dimensioned drawing



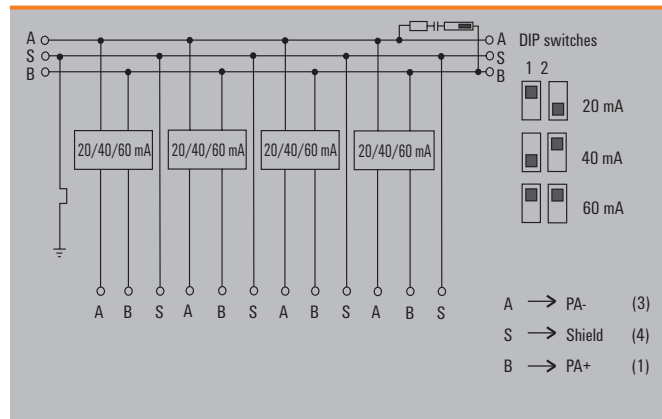
Dimensioned drawing



Wiring diagram

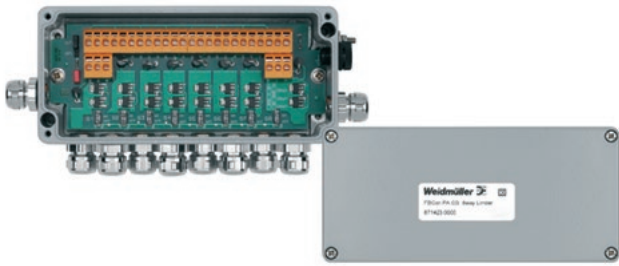


Wiring diagram



**PROFIBUS-PA - FBCon T-distributor with protective function**

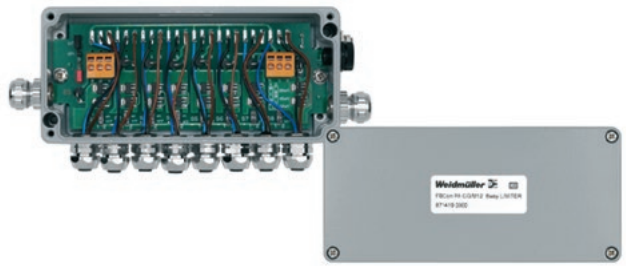
**8-channel distributor (limiter)**



**Ordering data**

Type	Cable glands	Qty.	Order No.
<b>Aluminium housing</b>			
FBCon PA CG 8WAY LIMITER	branch line CG	1	<b>8714230000</b>
<b>Stainless steel housing</b>			
FBCon SS PCG 8WAY LIMITER	all connections PCG	1	<b>8726160000</b>

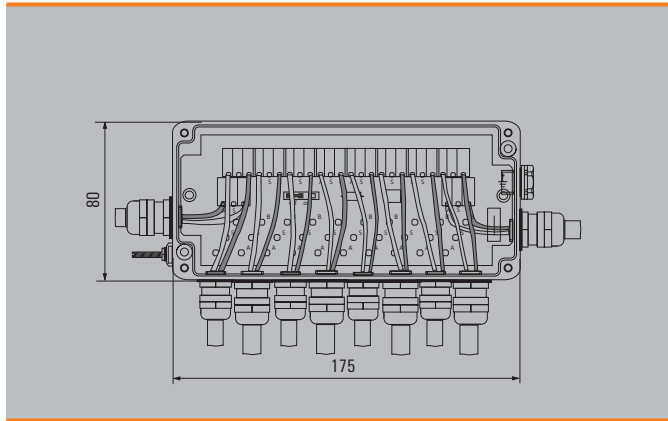
**8-channel distributor (limiter)**



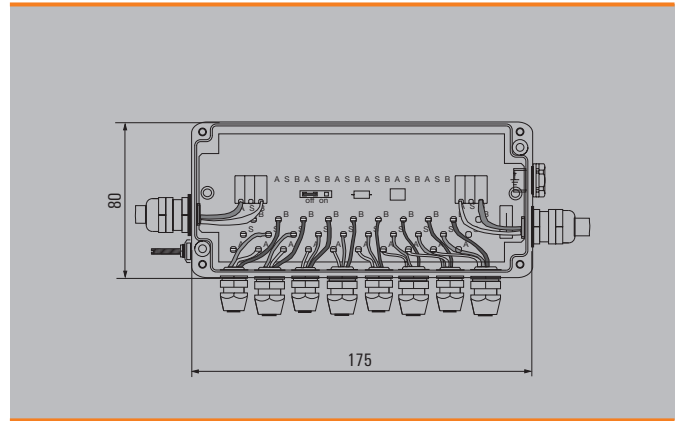
**Ordering data**

Type	Cable glands	Qty.	Order No.
<b>Aluminium housing</b>			
FBCon PA CG/M12 8WAY LIMITER	branch line M12	1	<b>8714190000</b>

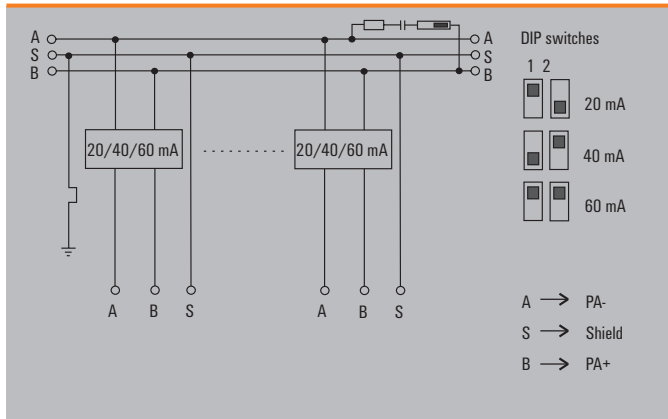
**Dimensioned drawing**



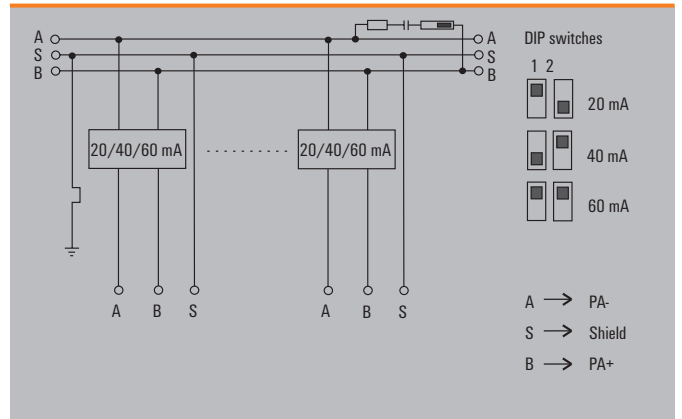
**Dimensioned drawing**



**Wiring diagram**



**Wiring diagram**





## Distributor for Profibus PA in explosive risk zones

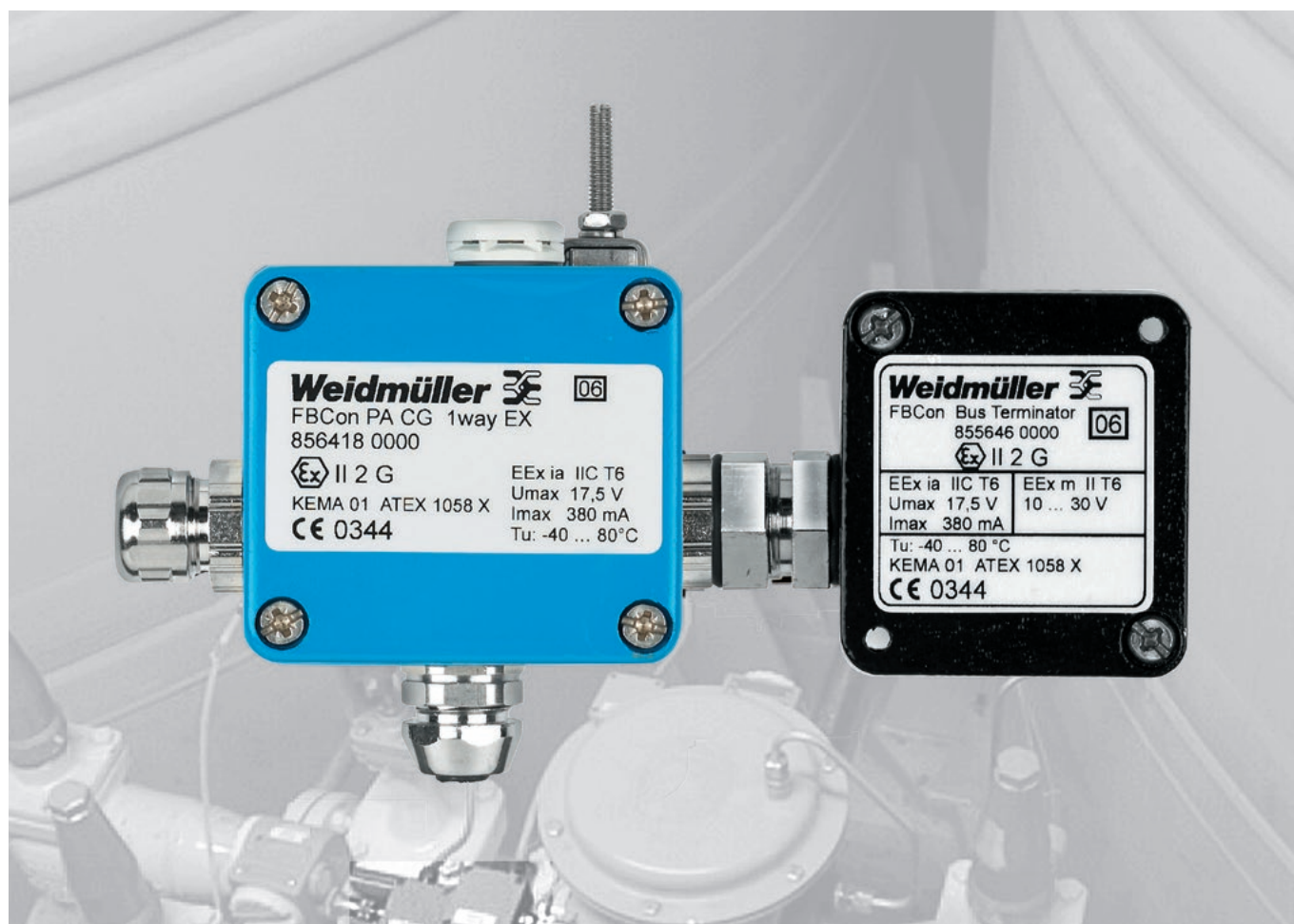


For applications in explosive risk zones, PROFIBUS PA Ex fieldbus distributors are available as 1-way, 2-way, 4-way and 8-way distributors.

EMC cable glands, the IP66 protection class and a wide operating temperature range reliably protect your connections in harsh environments.

### Functionality

- Approval for intrinsically safe use ATEX approval
- EMC cable glands for main and stub cables
- M12 plug for stub cables
- External earth stud
- Pressure-equalising element
- IP66 protection class
- Versions in aluminium
- Profibus-PA-compatible





# Approvals



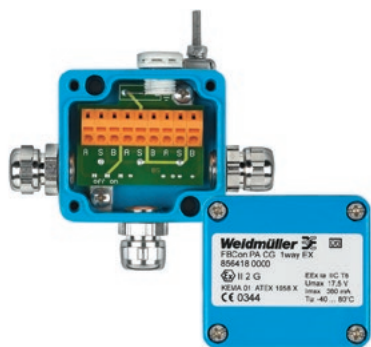
**Note:**

FBCon products with aluminium housings and/or M12 connections are not recommended for use in extremely saline environments.



PROFIBUS-PA - FBCon T-distributor ATEX Ex(ia)

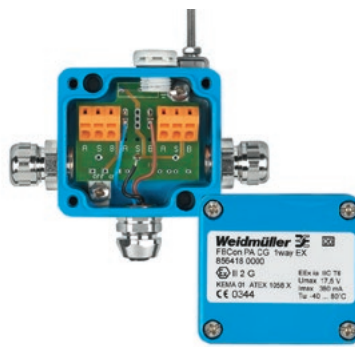
1-channel distributor Ex



Ordering data

Type	Cable glands	Qty.	Order No.
Aluminium housing			
FBCON PA CG 1WAY EX	branch line CG	1	8564180000

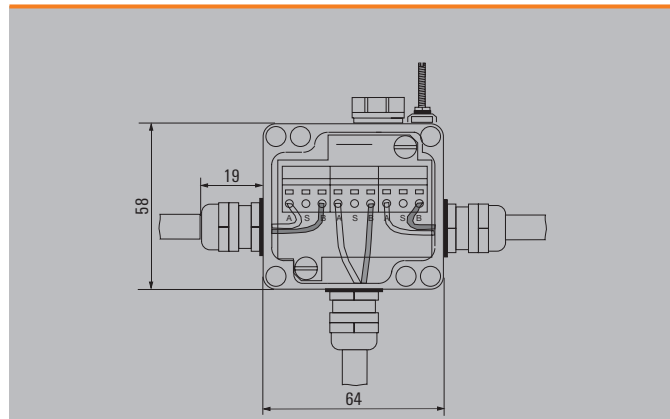
1-channel distributor Ex



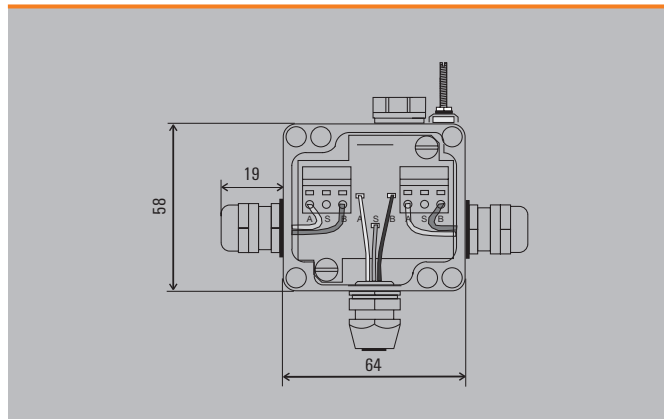
Ordering data

Type	Cable glands	Qty.	Order No.
Aluminium housing			
FBCON PA CG/M12 1WAY EX	branch line M12	1	8564150000

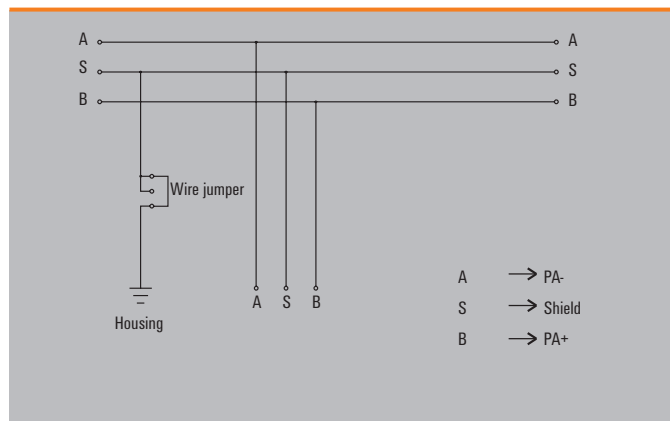
Dimensioned drawing



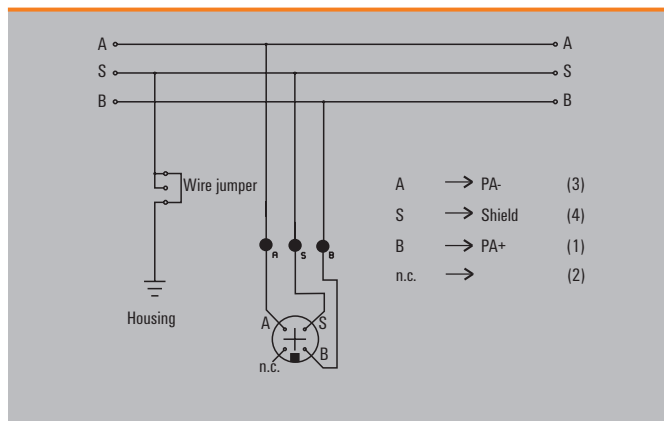
Dimensioned drawing



Wiring diagram



Wiring diagram



2-channel distributor Ex



2-channel distributor Ex



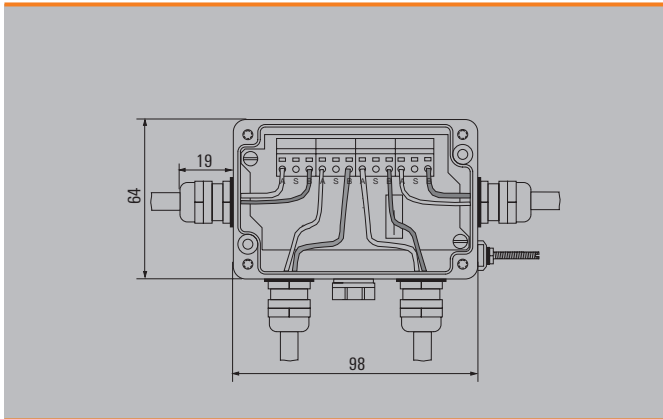
Ordering data

Type	Cable glands	Qty.	Order No.
<b>Aluminium housing</b>			
FBCON PA CG 2WAY EX	branch line CG	1	8564190000

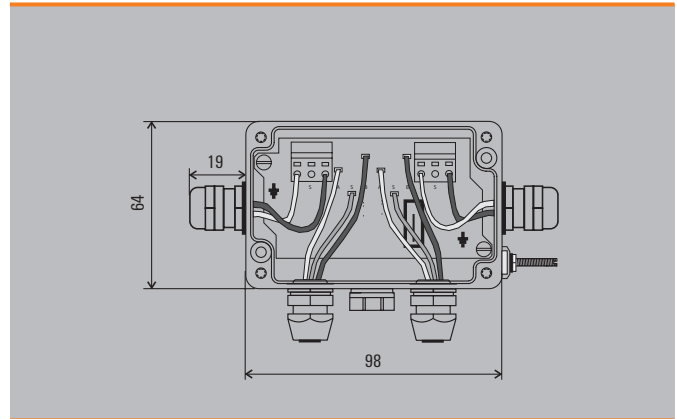
Ordering data

Type	Cable glands	Qty.	Order No.
<b>Aluminium housing</b>			
FBCON PA CG/M12 2WAY EX	branch line M12	1	8564160000

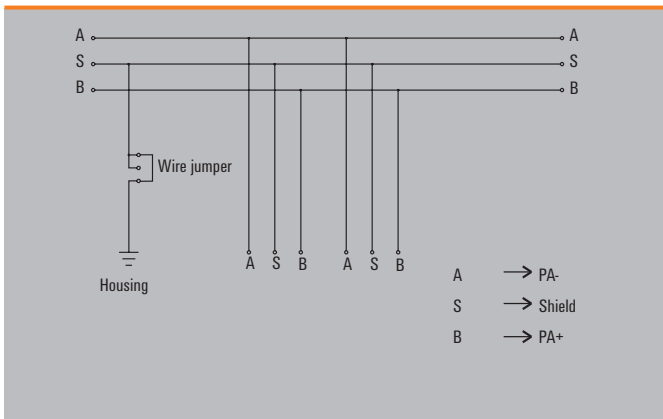
Dimensioned drawing



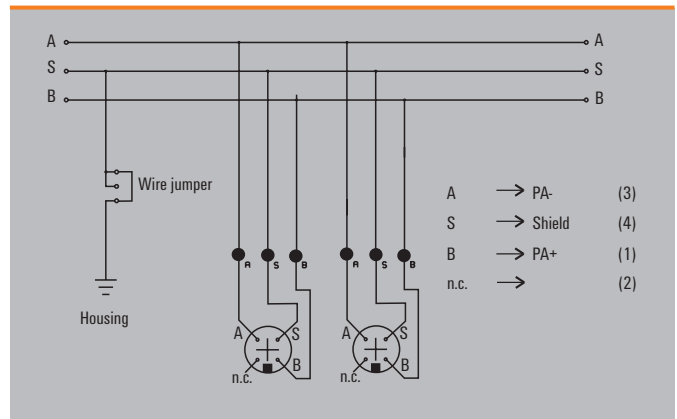
Dimensioned drawing



Wiring diagram

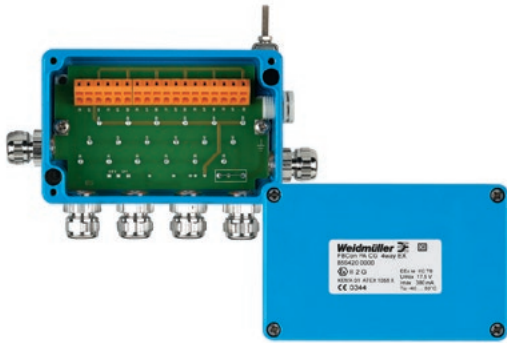


Wiring diagram

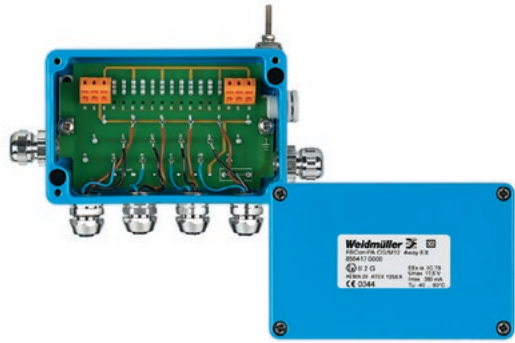


**PROFIBUS-PA - FBCon T-distributor ATEX Ex(ia)**

**4-channel distributor Ex**



**4-channel distributor Ex**



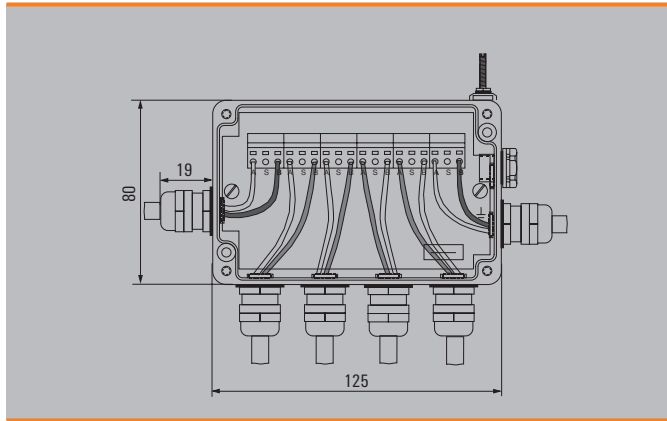
**Ordering data**

Type	Cable glands	Qty.	Order No.
<b>Aluminium housing</b>			
FBCON PA CG 4WAY EX	branch line CG	1	<b>856420000</b>

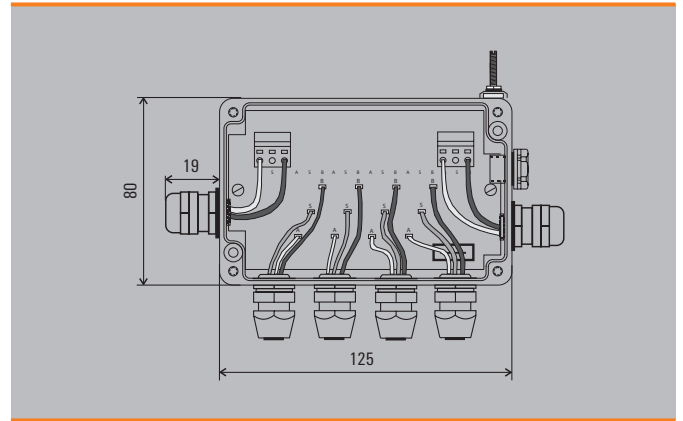
**Ordering data**

Type	Cable glands	Qty.	Order No.
<b>Aluminium housing</b>			
FBCON PA CG/M12 4WAY EX	branch line M12	1	<b>8564170000</b>

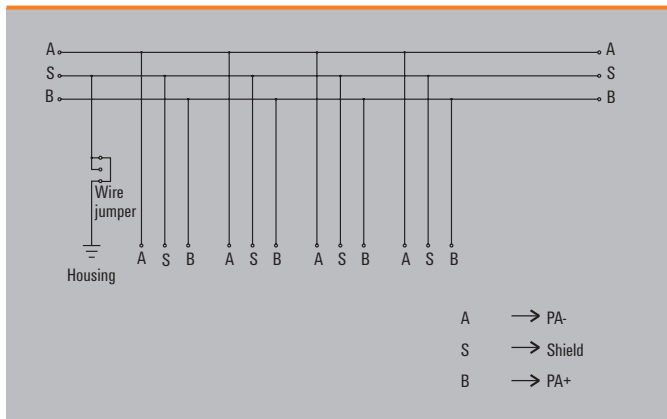
**Dimensioned drawing**



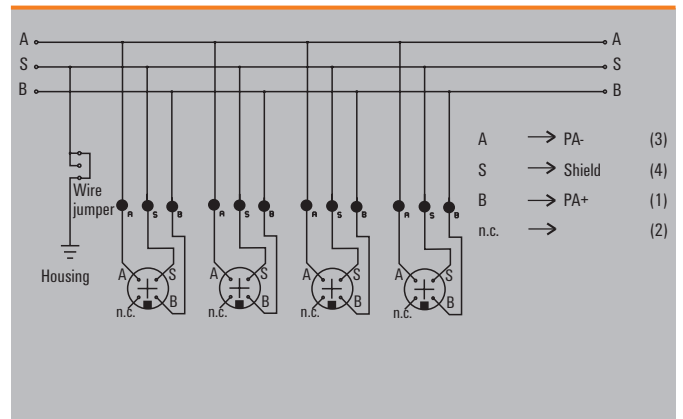
**Dimensioned drawing**



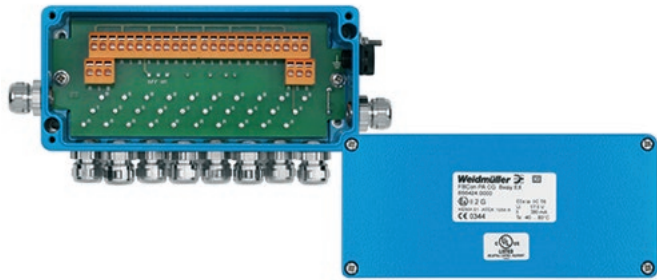
**Wiring diagram**



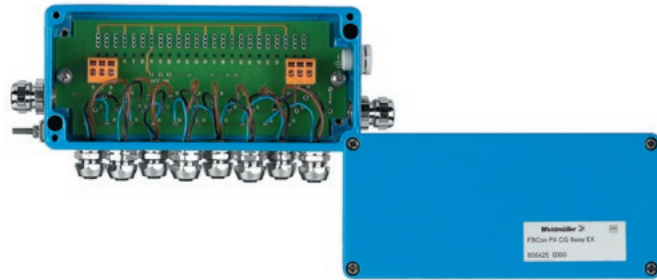
**Wiring diagram**



8-channel distributor Ex



8-channel distributor Ex



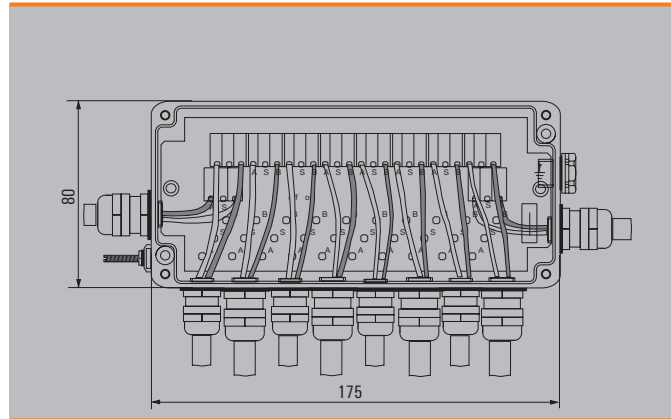
Ordering data

Type	Cable glands	Qty.	Order No.
<b>Aluminium housing</b>			
FBCon PA CG 8WAY EX	branch line CG	1	8564240000

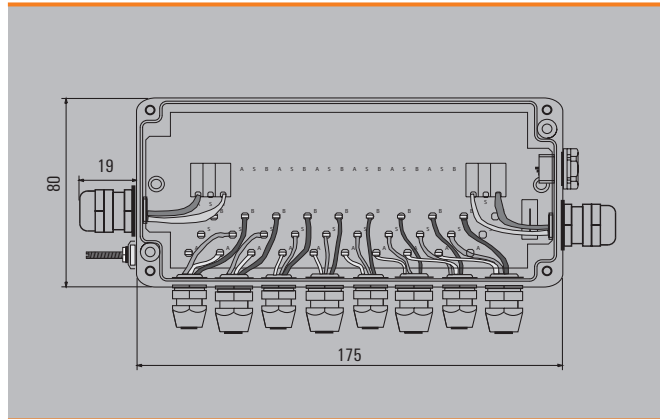
Ordering data

Type	Cable glands	Qty.	Order No.
<b>Aluminium housing</b>			
FBCon PA CG/M12 8WAY EX	branch line M12	1	8564250000

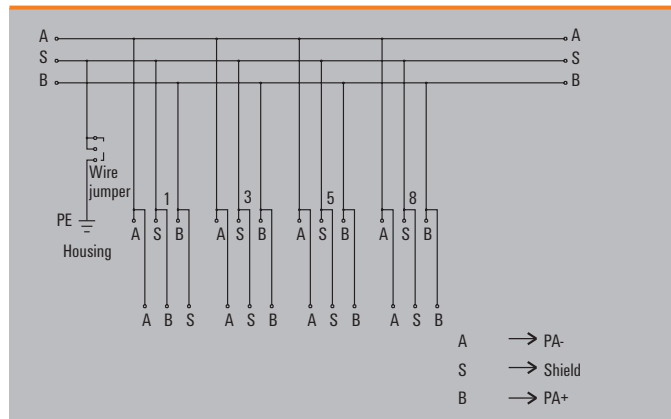
Dimensioned drawing



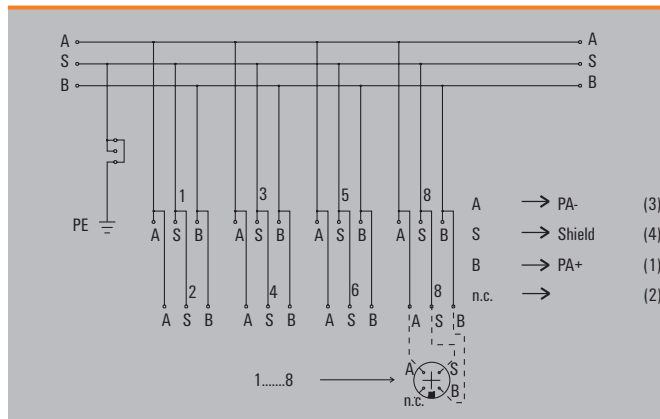
Dimensioned drawing



Wiring diagram

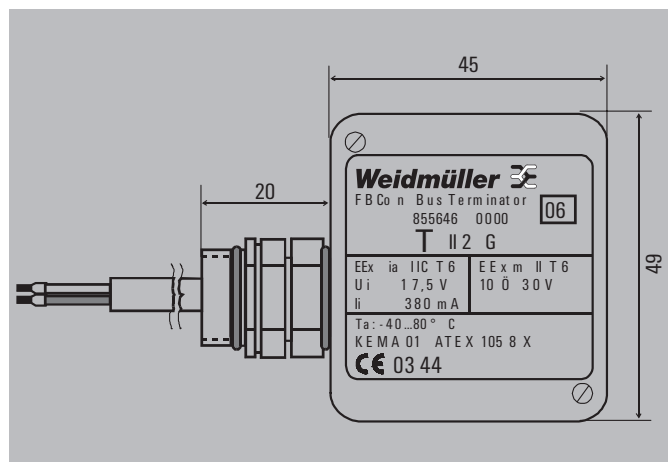


Wiring diagram



PROFIBUS-PA - FBCon T-distributor ATEX Ex(ia)

FBCon bus terminator without earth connection



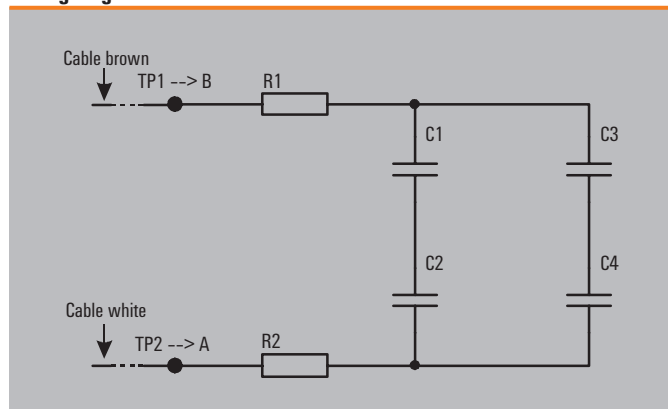
Technical data

Operating temperature	-40 °C to 80 °C
Ingress protection class	IP 66
Enclosure material	High grade aluminium alloy (Al - Si 12)
Finish	Black powder-coated
Connection lead	2 x 0.14 mm <sup>2</sup>
Cable entry	Bus adapter M16

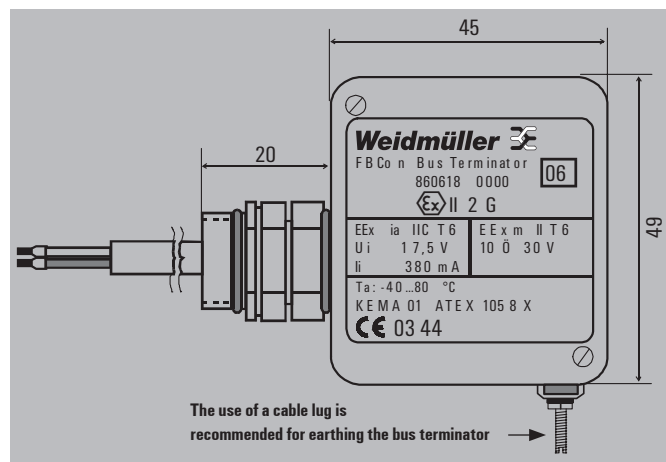
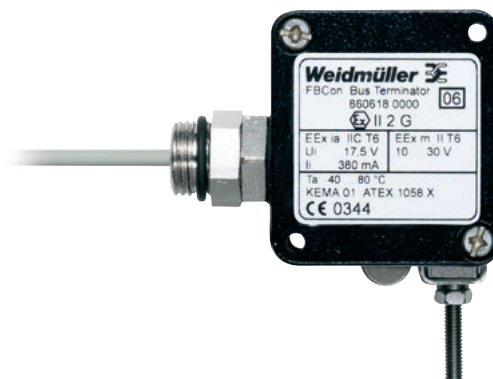
Ordering data

Type	Qty.	Order No.
FBCon Bus Terminator EEx with locking clip, without earth connection	1	8556460000
FBCon Bus Terminator EEx without locking clip, without earth connection	1	8606190000

Wiring diagram



FBCon Bus Terminator with earth connection



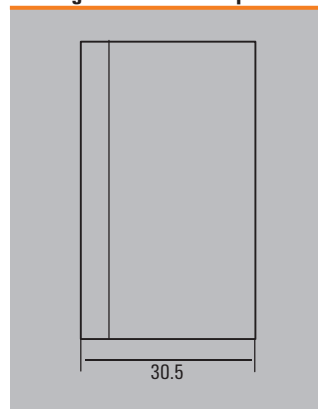
Technical data

Operating temperature	-40 °C to 80 °C
Ingress protection class	IP 66
Enclosure material	High grade aluminium alloy (Al - Si 12)
Finish	Black powder-coated
Connection lead	2 x 0.14 mm <sup>2</sup>
Cable entry	Bus adapter M16

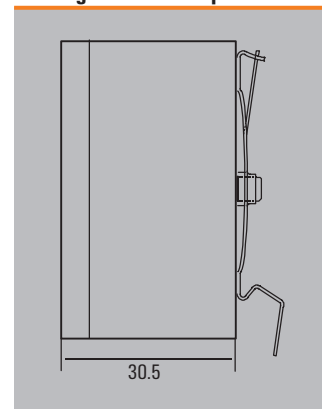
Ordering data

Type	Qty.	Order No.
FBCon Bus Terminator EEx with locking clip, with earth connection	1	8606180000
FBCon Bus Terminator EEx without locking clip, with earth connection	1	8606200000

Housing cover without clip-on foot



Housing cover with clip-on foot

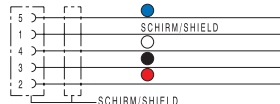
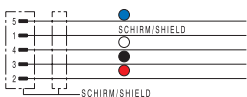
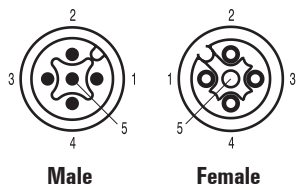






## CANopen & DeviceNet™ cables

One end without connector  
M12  
A-coded



### Ordering data

Straight	
PUR/TPE	1.5 m
PVC/PVC	1.5 m
Angled	
PUR/TPE	1.5 m
PVC/PVC	1.5 m
Note	

Male	5-pole
SAIL-M12G-CD-1.5A	1964700150
SAIL-M12G-CD-1.5B	1060110150
SAIL-M12W-CD-1.5A	1062220150
SAIL-M12W-CD-1.5B	1062170150
Other versions on request	

Female	5-pole
SAIL-M12BG-CD-1.5A	1964690150
SAIL-M12BG-CD-1.5B	1060120150
SAIL-M12BW-CD-1.5A	1061980150
SAIL-M12BW-CD-1.5B	1062180150
Other versions on request	

### Standard cable lengths

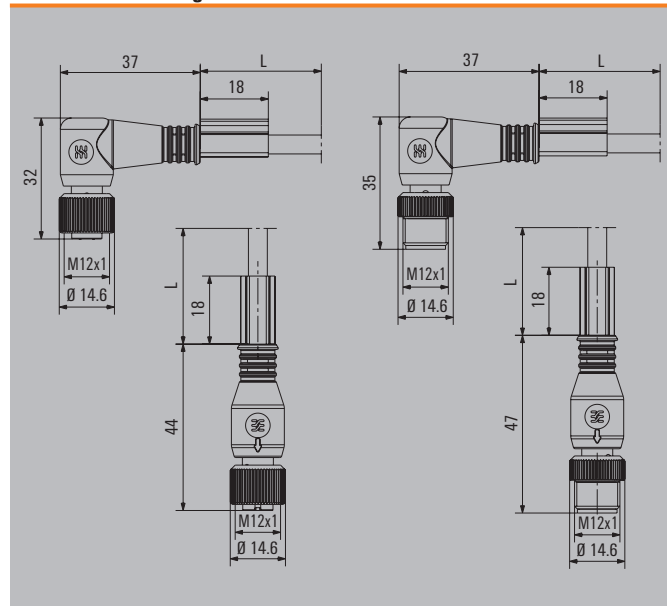
All cables listed in the ordering data have a length of 1.5 metres. The last four ordering digits must be changed when ordering other standard cable lengths.	1.5 m	xxxxxx0150
	3.0 m	xxxxxx0300
	5.0 m	xxxxxx0500
	10.0 m	xxxxxx1000

### Technical data

Sheathing colour	violet
Protection degree	IP67
Wire cross section	2 x 0.34 mm <sup>2</sup> + 2 x 0.22 mm <sup>2</sup>
Contact surface	Gold-plated
Temperature range of housing	-25...+80 °C
Coding	A

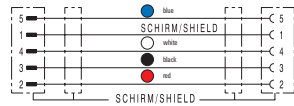
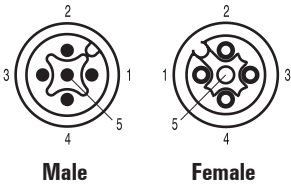
Chapter W includes additional technical specifications for the cable

### Dimensioned drawing





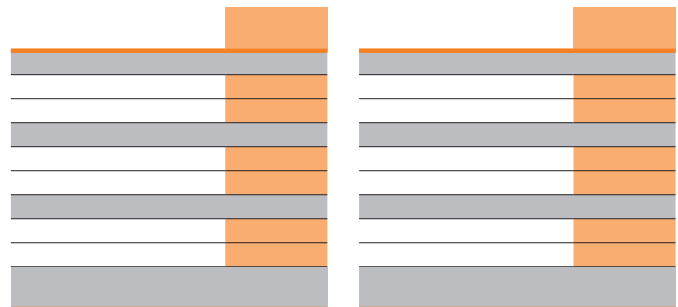
**Connecting cables**  
**M12 to M12**  
**A-coded**



**Ordering data**

Male, straight - Female, straight	
PUR/TPE	1.5 m
PVC/PVC	1.5 m
Male, straight - Female, angled	
PUR/TPE	1.5 m
PVC/PVC	1.5 m
Male, angled - Female, angled	
PUR/TPE	1.5 m
PVC/PVC	1.5 m
<b>Note</b>	

5-pole	
SAIL-M12GM12G-CD-1.5A	1964710150
SAIL-M12GM12G-CD-1.5B	1060130150
SAIL-M12GM12W-CD-1.5A	1061990150
SAIL-M12GM12W-CD-1.5B	1062190150
SAIL-M12WM12W-CD-1.5A	1062150150
SAIL-M12WM12W-CD-1.5B	1062210150
Other versions on request	



**Standard cable lengths**

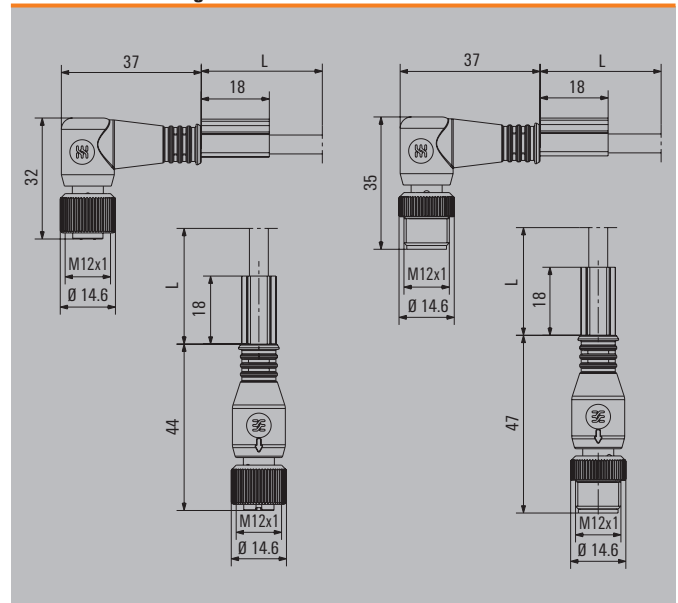
All cables listed in the ordering data have a length of 1.5 metres. The last four ordering digits must be changed when ordering other standard cable lengths.	1.5 m	xxxxxx0150
	3.0 m	xxxxxx0300
	5.0 m	xxxxxx0500
	10.0 m	xxxxxx1000

**Technical data**

Sheathing colour	violet
Protection degree	IP67
Wire cross section	2 x 0.34 mm <sup>2</sup> + 2 x 0.22 mm <sup>2</sup>
Contact surface	Gold-plated
Temperature range of housing	-25...+80 °C
Coding	A

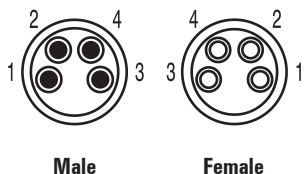
Chapter W includes additional technical specifications for the cable

**Dimensioned drawing**

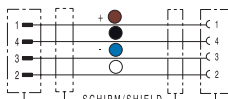


## CANopen & DeviceNet™ - cables

The four-pole Standard M8 sensor cables are especially well suited for the Universal Pro system. With their diameter of 0.34 mm<sup>2</sup>, these cables allow a system to be expanded up to 50 meters. The 360° shielding guarantees that signal transmission is error-free.



### Universal Pro cables



### Terminating resistor



### Technical data

#### Cable construction

No. of poles  
Sheathing colour  
Material  
Core cross-section  
Contact surface  
Nominal voltage  
Rated current  
Protection class  
Ambient temperature, min.  
Ambient temperature, max.

#### Note

4  
grey  
PUR/PUR  
0.34 mm<sup>2</sup>  
Gold-plated  
30 V  
4 A  
IP 67  
-30 °C  
90 °C

### Ordering data

#### Male, straight - female, straight

0.3 m  
1.0 m  
1.5 m  
3.0 m  
5.0 m  
10.0 m  
15.0 m  
20.0 m

Type	Qty.	Order No.
SAIL-M8GM8G-4S-0.3Q-SB	1	1981900030
SAIL-M8GM8G-4S-1.0Q-SB	1	1981900100
SAIL-M8GM8G-4S-1.5U-SB	1	1981900150
SAIL-M8GM8G-4S-3.0Q-SB	1	1981900300
SAIL-M8GM8G-4S-5.0Q-SB	1	1981900500
SAIL-M8GM8G-4S-10Q-SB	1	1981901000
SAIL-M8GM8G-4S-15Q-SB	1	1981901500
SAIL-M8GM8G-4S-20Q-SB	1	1981902000

#### Female, straight - open end

1.5 m  
3.0 m  
5.0 m  
10.0 m

SAIL-M8BG-4S-1.5U-SB	1	1981910150
SAIL-M8BG-4S-3.0Q-SB	1	1981910300
SAIL-M8BG-4S-5.0Q-SB	1	1981910500
SAIL-M8BG-4S-10Q-SB	1	1981911000

#### Note

Other versions on request

### Ordering data - Terminating resistor

Type	Qty.	Order No.
SAI END CAN M8 4P	1	1955340000

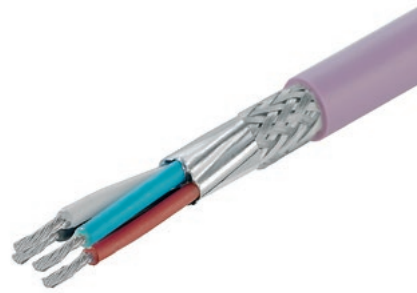
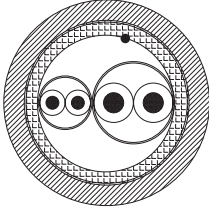
#### Note

### Dimensioned drawing



L in the drawing is the cable length

## CAN / DeviceNet™ bulk lengths



## Technical data

Component A (1x2x0.34) ST	
Conductor	Tin-plated copper 0.34 mm <sup>2</sup> (19 wires) according to UL 1581 Tab 20.1
Insulation	Polyolefine mixture according to UL Style 80 °C 30 V colour code: 2 conductor red/black Diameter: 1.6 ±0.1 mm
Assembly	Two twisted conductors + aluminium-polyester band (Ai exterior)
Element B (1x2x0.22) ST	
Conductor	Tin-plated copper 0.22 mm <sup>2</sup> (19 wires) according to UL 1581 Tab 20.1
Insulation	Polyethylene foam skin Colour code: 2 conductors white/blue Diameter: approx. 2.0 mm
Assembly	Two twisted conductors + aluminium-polyester band (Ai exterior)
Complete assembly	Element A + Element B drilled
Drain wire	Tin-plated copper 0.34 mm <sup>2</sup> (19 wires) according to UL 1581 Tab 20.1
Shield	Tin-plated copper braiding, coverage 85 ± 5 %
Band	Fibre band
Outer cladding	Polyurethane mixture according to UL Style 80 °C 30 V Colour code: black RAL 9005
Marking	Not required
General characteristics	
Nom. impedance 0.3-20 MHz	(pair 2 x 0.22 mm <sup>2</sup> ) - 120 ±10 % Ω
Nominal power rating 800 Hz	(pair 2 x 0.22 mm <sup>2</sup> ) - 39 pF/mt
Operating voltage	Low-voltage computer cable
Test voltage	1000 V
Conductor resistance	Conductor A: max. 55 Ω/km at 20 °C Conductor B: max. 90 Ω/km at 20 °C
Min. bending radius	5 x D (during installation) 10 x D (during operations)
Temperature range	-40 °C...+80 °C (during installation) -10 °C ... +80 °C (during operations)
Reference	UL 1581
Attenuation (max.) (pair 0.22 mm <sup>2</sup> )	0.5 MHz ... 1.64 db/100 mt 1.0 MHz ... 2.30 db/100 mt
Max. speed	180 mt/min
Max. acceleration	5 mt/s <sup>2</sup>
Copper weight	33.6 kg/km (approx.)
Total weight	79 kg/km (approx.)

Note

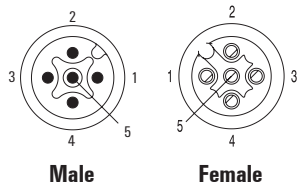
## Ordering data

Type	Order No.
SAIH-CD-2x0.34/2x0.22-PURs	1058630000

Note 4-pole

## CANopen & DeviceNet™ - connectors

### M12 screw connection with shield connection A-coded



### SAIS / SAIB

Straight



### SAISW / SAIBW

Angled



#### Ordering data

Male	
	5-pole, PG 9
Female	
	5-pole, PG 9
Note	

Type	Qty.	Order No.
SAIS-M-5/8S M12 5P A-COD	1	1784740000
SAIB-M-5/8S M12 5P A-COD	1	1784750000
Other versions on request		

Type	Qty.	Order No.
SAISW-M-5/8 M12	1	1803940000
SAIBW-M-5/8 M12	1	1803920000
Other versions on request		

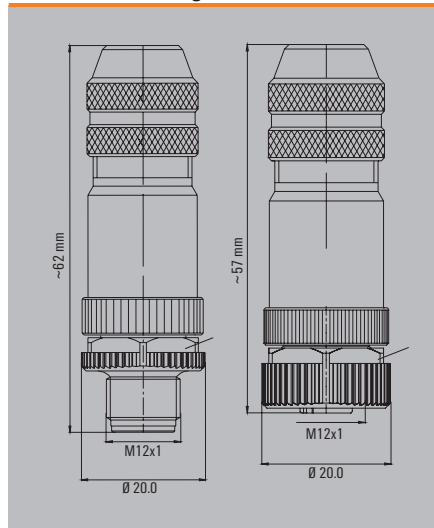
#### Technical data

Type of connection	
Housing main material	
Connection thread	
Cable diameter	
Wire cross-section, min. / max.	
Rated current	
Rated voltage	
Temperature range of housing	
Protection degree	
Contact surface	
Note	

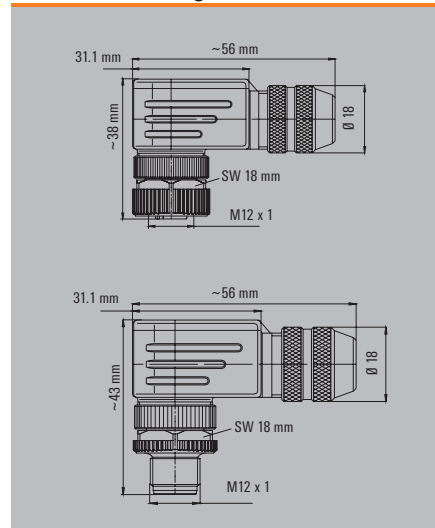
Screw connection	
CuZn	
M12	
6..8 mm	
0.14...0.75 mm <sup>2</sup>	
4 A	
60 V	
-40 ... +85 °C	
IP67	
Gold-plated	

Screw connection	
CuZn	
M12	
6..8 mm	
0.14...0.75 mm <sup>2</sup>	
4 A	
60 V	
-40 ... +85 °C	
IP67	
Gold-plated	

#### Dimensioned drawing



#### Dimensioned drawing



**CAN-BUS D-Sub**  
**M12 cable connection**  
**90° exit angle**

**CAN D-Sub M12 TERM**

With bus termination switch



**CAN D-Sub M12 TERM PS**

With bus termination switch and programming interface



**Ordering data**

Type	Qty.	Order No.
CAN SUB-D M12 TERM	1	1555270000
Other versions on request		

Note

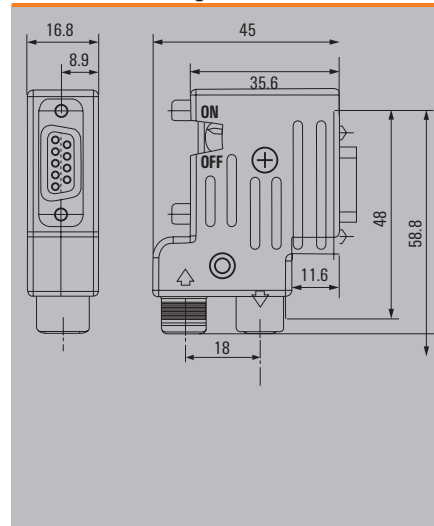
**Technical data**

Outgoing elbow	90°
Data rate	1 Mbps
Humidity	Max. 75% at +25°C, non-condensing
Housing main material	ZnAl
BUS, cable interface	M12 A-coded, pin + socket
BUS interface	D-Sub 9-pole, Socket
Protection degree	IP30
Plugging cycles	≥ 200
Temperature range of housing	-20...+70 °C
Interlock	UNC4-40
Note	

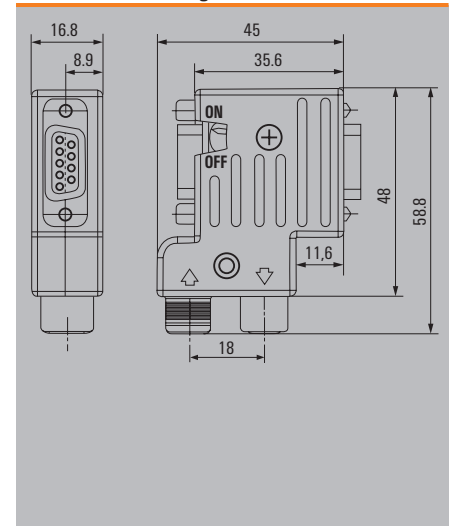
Type	Qty.	Order No.
CAN SUB-D M12 TERM PS	1	1555280000
Other versions on request		

Outgoing elbow	90°
Data rate	1 Mbps
Humidity	Max. 75% at +25°C, non-condensing
Housing main material	ZnAl
BUS, cable interface	M12 A-coded, pin + socket
BUS interface	D-Sub 9-pole, Socket
Protection degree	IP30
Plugging cycles	≥ 200
Temperature range of housing	-20...+70 °C
Interlock	UNC4-40
Note	

**Dimensioned drawing**



**Dimensioned drawing**



**CAN-BUS D-Sub - connectors**

**CAN-BUS D-Sub  
Screw connection  
35° exit angle**

**CAN D-Sub SK35 TERM**

With bus termination switch



**CAN D-Sub SK35 TERM PS**

With bus termination switch and programming interface



**Ordering data**

Type	Qty.	Order No.
CAN SUB-D SK35 TERM	1	1550600000
Other versions on request		

Note

**Technical data**

Outgoing elbow	35°
Data rate	1 Mbps
Humidity	Max. 75% at +25°C, non-condensing
Housing main material	ZnAl
BUS, cable interface	Screw connection
BUS interface	D-Sub 9-pole, Socket
Protection degree	IP30
Plugging cycles	≥ 200
Temperature range of housing	-20...+70 ° C
Interlock	UNC4-40
Note	

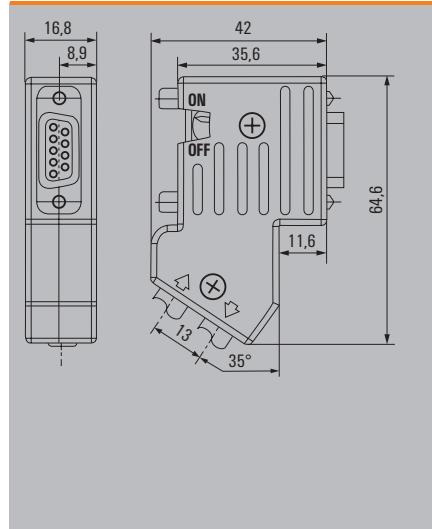
Type	Qty.	Order No.
CAN SUB-D SK35 TERM PS	1	1550610000
Other versions on request		

Note

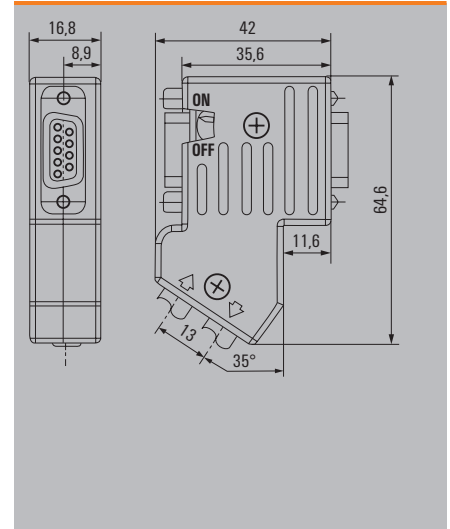
Outgoing elbow	35°
Data rate	1 Mbps
Humidity	Max. 75% at +25°C, non-condensing
Housing main material	ZnAl
BUS, cable interface	Screw connection
BUS interface	D-Sub 9-pole, Socket
Protection degree	IP30
Plugging cycles	≥ 200
Temperature range of housing	-20...+70 ° C
Interlock	UNC4-40
Note	



**Dimensioned drawing**

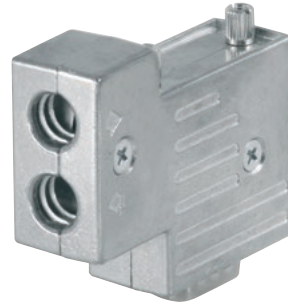


**Dimensioned drawing**



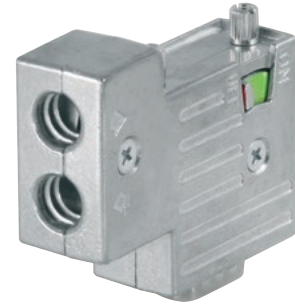
**CAN-BUS D-Sub**  
**Screw connection**  
**90° exit angle**

**CAN D-Sub SK**



**CAN D-Sub SK TERM**

With bus termination switch



**Ordering data**

Type	Qty.	Order No.
CAN SUB-D SK	1	1555300000
Other versions on request		

Note

**Technical data**

Outgoing elbow	90°
Data rate	1 Mbps
Humidity	Max. 75% at +25°C, non-condensing
Housing main material	ZnAl
BUS, cable interface	Screw connection
BUS interface	D-Sub 9-pole, Socket
Protection degree	IP30
Plugging cycles	≥ 200
Temperature range of housing	-20...+70 °C
Interlock	UNC4-40
Note	

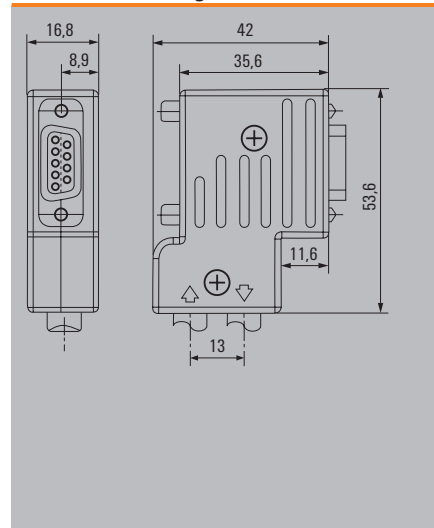
Type	Qty.	Order No.
CAN SUB-D SK TERM	1	1550580000
Other versions on request		

Outgoing elbow	90°
Data rate	1 Mbps
Humidity	Max. 75% at +25°C, non-condensing
Housing main material	ZnAl
BUS, cable interface	Screw connection
BUS interface	D-Sub 9-pole, Socket
Protection degree	IP30
Plugging cycles	≥ 200
Temperature range of housing	-20...+70 °C
Interlock	UNC4-40
Note	

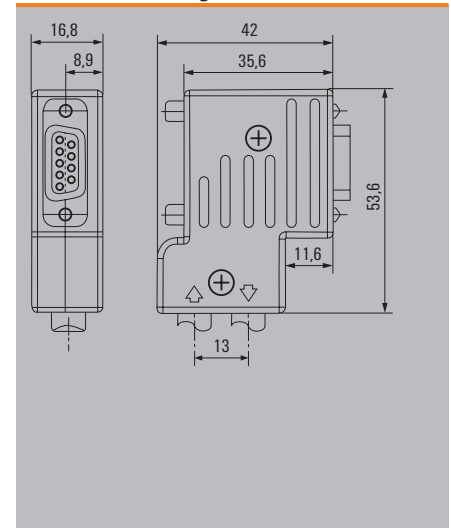
Type	Qty.	Order No.
CAN SUB-D SK TERM	1	1550580000
Other versions on request		

Outgoing elbow	90°
Data rate	1 Mbps
Humidity	Max. 75% at +25°C, non-condensing
Housing main material	ZnAl
BUS, cable interface	Screw connection
BUS interface	D-Sub 9-pole, Socket
Protection degree	IP30
Plugging cycles	≥ 200
Temperature range of housing	-20...+70 °C
Interlock	UNC4-40
Note	

**Dimensioned drawing**



**Dimensioned drawing**



CAN-BUS D-Sub - connectors

CAN-BUS D-Sub  
M12 cable connection  
180° exit angle

CAN D-Sub M12 180 TERM

With bus termination switch



Ordering data

Note
------

Type	Qty.	Order No.
CAN SUB-D M12 180 TERM	1	1555290000
Other versions on request		

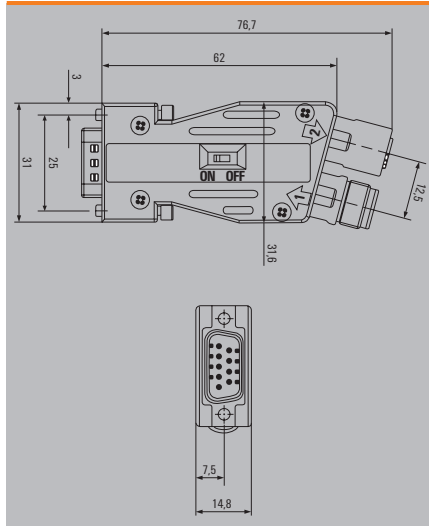
Technical data

Note
------

Outgoing elbow	180°
Data rate	1 Mbps
Humidity	Max. 75% at +25°C, non-condensing
Housing main material	ZnAl
BUS, cable interface	M12 A-coded, pin + socket
BUS interface	D-Sub 9-pole, Socket
Protection degree	IP30
Plugging cycles	≥ 200
Temperature range of housing	-20...+70 ° C
Interlock	UNC4-40



Dimensioned drawing





**CAN-BUS D-Sub**  
**Screw connection**  
**90° exit angle**

**CAN D-Sub SK TERM PS**

With bus termination switch and programming interface



**Ordering data**

Type	Qty.	Order No.
CAN SUB-D SK TERM PS	1	<b>1550590000</b>

Other versions on request

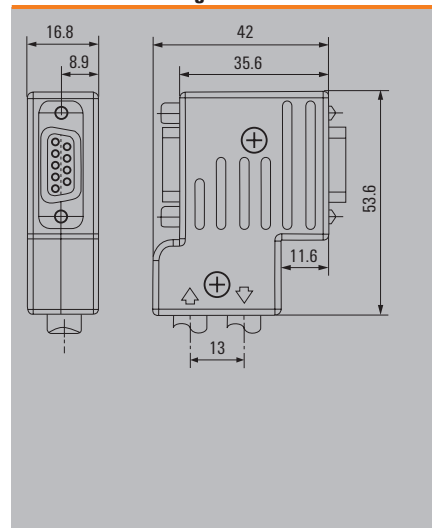
Note

**Technical data**

Outgoing elbow	90°
Data rate	1 Mbps
Humidity	Max. 75% at +25°C, non-condensing
Housing main material	ZnAl
BUS, cable interface	Screw connection
BUS interface	D-Sub 9-pole, Pin
Protection degree	IP30
Plugging cycles	≥ 200
Temperature range of housing	-20...+70 ° C
Interlock	UNC4-40

Note

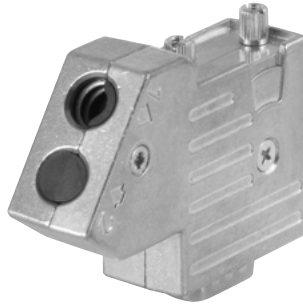
**Dimensioned drawing**



CAN-BUS D-Sub - connectors

Universal D-Sub plug, 9-pole  
 M12 screw connection  
 35° exit angle  
 1:1 wired

SAI-D-Sub 9 SK35



Ordering data

<b>Note</b>
-------------

Type	Qty.	Order No.
SAI-SUB-D 9 SK35	1	1551080000
Other versions on request		

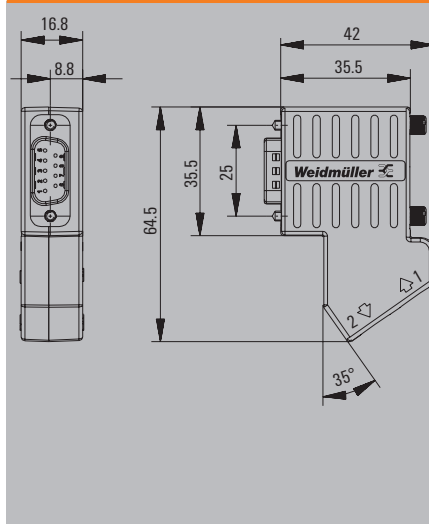
Technical data

Outgoing elbow	35°
Data rate	
Humidity	Max. 75% at +25°C, non-condensing
Housing main material	ZnAl
BUS, cable interface	Screw connection
BUS interface	D-Sub 9-pole, Pin
Protection degree	IP30
Plugging cycles	≥ 200
Temperature range of housing	-20...+70 ° C
Interlock	UNC4-40
<b>Note</b>	

35°
Max. 75% at +25°C, non-condensing
ZnAl
Screw connection
D-Sub 9-pole, Pin
IP30
≥ 200
-20...+70 ° C
UNC4-40



Dimensioned drawing





## Ethernet cables

### Assembled cable - dragline cable M12

- Cat. 5
- PUR
- D-coded
- PROFINET type C

### M12 / M12

Plug / plug



**sercos**  
the automation bus

### M12 / M12

Plug / socket



**sercos**  
the automation bus

M12		M12
1	yellow	1
2	white	2
3	orange	3
4	blue	4

M12		M12
1	yellow	1
2	white	2
3	orange	3
4	blue	4

### Technical data

Product type	Dragline cable
Category	Cat.5 (ISO/IEC 11801) / Cat.5e (TIA T568-B)
Shielding	SF/UTP
Version connector left / Version connector right	M12 D-code - IP 67 straight pin / M12 D-code - IP 67 straight pin
Cross-section	4*AWG 22/7 - 0.32 mm <sup>2</sup>
Sheath diameter, max.	6.7 mm
Material sheath	PUR
Sheathing colour	green (RAL 6018)
Insulation cross-section	1.5 mm
Min. bending radius, repetitive	7.5 x cable diameter
Min. bending radius, once only	5 x cable diameter
Bending cycles	3 Mio
Speed	180 m/min
Acceleration	4 m/s <sup>2</sup>
Pulling force	≤ 150 N
Ambient temperature (operational)	-40 °C...70 °C
Installation temperature	-20 °C...60 °C
Storage temperature	-50 °C...70 °C
Abrasion resistance	very good
Halogen	halogen-free, according to IEC 60754-2
Resistance to spread of flame	in accordance with IEC 60332-1
Resistance to oils	in accordance with IEC 60811-2-1

Product type	Dragline cable
Category	Cat.5 (ISO/IEC 11801) / Cat.5e (TIA T568-B)
Shielding	SF/UTP
Version connector left / Version connector right	M12 D-code - IP 67 straight socket / M12 D-code - IP 67 straight pin
Cross-section	4*AWG 22/7 - 0.32 mm <sup>2</sup>
Sheath diameter, max.	6.7 mm
Material sheath	PUR
Sheathing colour	green (RAL 6018)
Insulation cross-section	1.5 mm
Min. bending radius, repetitive	7.5 x cable diameter
Min. bending radius, once only	5 x cable diameter
Bending cycles	3 Mio
Speed	180 m/min
Acceleration	4 m/s <sup>2</sup>
Pulling force	≤ 150 N
Ambient temperature (operational)	-40 °C...70 °C
Installation temperature	-20 °C...60 °C
Storage temperature	-50 °C...70 °C
Abrasion resistance	very good
Halogen	halogen-free, according to IEC 60754-2
Resistance to spread of flame	in accordance with IEC 60332-1
Resistance to oils	in accordance with IEC 60811-2-1

#### Note

### Ordering data

	0.5 m
	1.5 m
	3.0 m
	5.0 m
	10.0 m

#### Note

Type	Qty.	Order No.
IE-C5DD4UG0005MCSMCS-E	1	1025950005
IE-C5DD4UG0015MCSMCS-E	1	1025950015
IE-C5DD4UG0030MCSMCS-E	1	1025950030
IE-C5DD4UG0050MCSMCS-E	1	1025950050
IE-C5DD4UG0100MCSMCS-E	1	1025950100

Type	Qty.	Order No.
IE-C5DD4UG0015MSSMCS-E	1	1059330015
IE-C5DD4UG0030MSSMCS-E	1	1059330030
IE-C5DD4UG0050MSSMCS-E	1	1059330050
IE-C5DD4UG0100MSSMCS-E	1	1059330100

### Accessories

Marking tags	
	Insertion label, yellow, 12 mm
	Insertion label, yellow, 18 mm

Tools	
	Tool set
	Tool set with torque function
	Mounting tool
	Screwty-M12

Type	Qty.	Order No.
TM-H 12 MC NE GE	320	1718411687
TM-H 18 MC NE GE	320	1718431687
SCREWTY SET	1	1910000000
SCREWTY SET -DM	1	1920000000
SCREWTY-M12-DM	1	1900001000
SCREWTY- M12	1	1900000000

Type	Qty.	Order No.
TM-H 12 MC NE GE	320	1718411687
TM-H 18 MC NE GE	320	1718431687
SCREWTY SET	1	1910000000
SCREWTY SET -DM	1	1920000000
SCREWTY-M12-DM	1	1900001000
SCREWTY- M12	1	1900000000

#### Note

### Assembled cable - dragline cable M12

- Cat. 5
- PUR
- D-coded
- PROFINET type C

### M12 / open

Plug / -



### M12 / RJ45

Plug / plug



	M12
yellow	1
white	2
orange	3
blue	4

RJ45	M12	
1	yellow	1
3	white	2
2	orange	3
6	blue	4

### Technical data

Product type	Dragline cable
Category	Cat.5 (ISO/IEC 11801) / Cat.5e (TIA T568-B)
Shielding	SF/UTP
Version connector left / Version connector right	M12 D-code - IP 67 straight pin / Open
Cross-section	4*AWG 22/7 - 0.32 mm <sup>2</sup>
Sheath diameter, max.	6.7 mm
Material sheath	PUR
Sheathing colour	green (RAL 6018)
Insulation cross-section	1.5 mm
Min. bending radius, repetitive	7.5 x cable diameter
Min. bending radius, once only	5 x cable diameter
Bending cycles	3 Mio
Speed	180 m/min
Acceleration	4 m/s <sup>2</sup>
Pulling force	≤ 150 N
Ambient temperature (operational)	-40 °C...70 °C
Installation temperature	-20 °C...60 °C
Storage temperature	-50 °C...70 °C
Abrasion resistance	very good
Halogen	halogen-free, according to IEC 60754-2
Resistance to spread of flame	in accordance with IEC 60332-1
Resistance to oils	in accordance with IEC 60811-2-1
<b>Note</b>	

Product type	Dragline cable
Category	Cat.5 (ISO/IEC 11801) / Cat.5e (TIA T568-B)
Shielding	SF/UTP
Version connector left / Version connector right	M12 D-code - IP 67 straight pin / RJ45 IP 20
Cross-section	4*AWG 22/7 - 0.32 mm <sup>2</sup>
Sheath diameter, max.	6.7 mm
Material sheath	PUR
Sheathing colour	green (RAL 6018)
Insulation cross-section	1.5 mm
Min. bending radius, repetitive	7.5 x cable diameter
Min. bending radius, once only	5 x cable diameter
Bending cycles	3 Mio
Speed	180 m/min
Acceleration	4 m/s <sup>2</sup>
Pulling force	≤ 150 N
Ambient temperature (operational)	-40 °C...70 °C
Installation temperature	-20 °C...60 °C
Storage temperature	-50 °C...70 °C
Abrasion resistance	very good
Halogen	halogen-free, according to IEC 60754-2
Resistance to spread of flame	in accordance with IEC 60332-1
Resistance to oils	in accordance with IEC 60811-2-1
<b>Note</b>	

Product type	Dragline cable
Category	Cat.5 (ISO/IEC 11801) / Cat.5e (TIA T568-B)
Shielding	SF/UTP
Version connector left / Version connector right	M12 D-code - IP 67 straight pin / RJ45 IP 20
Cross-section	4*AWG 22/7 - 0.32 mm <sup>2</sup>
Sheath diameter, max.	6.7 mm
Material sheath	PUR
Sheathing colour	green (RAL 6018)
Insulation cross-section	1.5 mm
Min. bending radius, repetitive	7.5 x cable diameter
Min. bending radius, once only	5 x cable diameter
Bending cycles	3 Mio
Speed	180 m/min
Acceleration	4 m/s <sup>2</sup>
Pulling force	≤ 150 N
Ambient temperature (operational)	-40 °C...70 °C
Installation temperature	-20 °C...60 °C
Storage temperature	-50 °C...70 °C
Abrasion resistance	very good
Halogen	halogen-free, according to IEC 60754-2
Resistance to spread of flame	in accordance with IEC 60332-1
Resistance to oils	in accordance with IEC 60811-2-1
<b>Note</b>	

### Ordering data

	1.0 m
	1.5 m
	3.0 m
	5.0 m
	10.0 m
<b>Note</b>	

Type	Qty.	Order No.
IE-C5DD4UG0015MCSXXX-X	1	1025940015
IE-C5DD4UG0030MCSXXX-X	1	1025940030
IE-C5DD4UG0050MCSXXX-X	1	1025940050
IE-C5DD4UG0100MCSXXX-X	1	1025940100

Type	Qty.	Order No.
IE-C5DD4UG0010MCSA20-E	1	1044470010
IE-C5DD4UG0015MCSA20-E	1	1044470015
IE-C5DD4UG0030MCSA20-E	1	1044470030
IE-C5DD4UG0050MCSA20-E	1	1044470050
IE-C5DD4UG0100MCSA20-E	1	1044470100

### Accessories

Tools	Type	Qty.	Order No.
Sheathing strippers, For UTP and STP data cables	AM 12	1	9030060000
Sheathing strippers, For coaxial and round data cables	IE-CST	1	9204350000
Tool set	SCREWTY SET	1	1910000000
Tool set with torque function	SCREWTY SET -DM	1	1920000000
Mounting tool	SCREWTY-M12-DM	1	1900001000
Screwty-M12	SCREWTY-M12	1	1900000000
<b>Marking tags</b>			
Insertion label, yellow, 12 mm	TM-I 12 MC NE GE	320	1718411687
Insertion label, yellow, 18 mm	TM-I 18 MC NE GE	320	1718431687
<b>Dust protection cap</b>			
Protective cap	IE-PP-RJ45	10	2552580000
<b>Note</b>			

Type	Qty.	Order No.
TM-I 12 MC NE GE	320	1718411687
TM-I 18 MC NE GE	320	1718431687
IE-PP-RJ45	10	2552580000

Type	Qty.	Order No.
SCREWTY SET	1	1910000000
SCREWTY SET -DM	1	1920000000
SCREWTY-M12-DM	1	1900001000
SCREWTY-M12	1	1900000000
TM-I 12 MC NE GE	320	1718411687
TM-I 18 MC NE GE	320	1718431687
IE-PP-RJ45	10	2552580000

## Ethernet cables

### Assembled cable - M12 dragline cable, angled

- Cat. 5
- PUR
- D-coded
- PROFINET type C

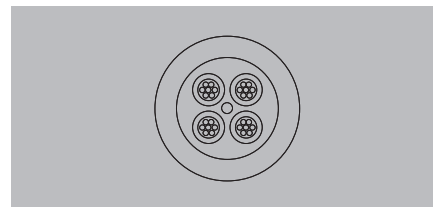
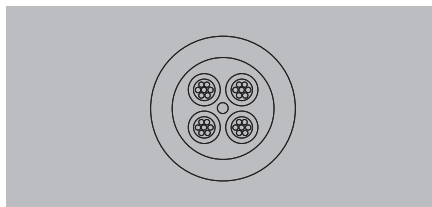
### M12 / M12

Plug / plug



### M12 / M12

Plug / plug



### Technical data

Product type  
Category  
Shielding  
Version connector left / Version connector right

Cross-section  
Sheath diameter, max.  
Material sheath  
Sheathing colour  
Insulation cross-section  
Min. bending radius, repetitive  
Ambient temperature (operational)  
Installation temperature  
Storage temperature  
Abrasion resistance  
Halogen  
Resistance to oils  
Fire safety for railway vehicles

Dragline cable  
Cat.5 (ISO/IEC 11801) / Cat.5e (TIA T568-B)  
SF/UTP  
M12 D-code - IP 67 straight pin / M12 D-code - IP 67 angled pin

4\*AWG 22/7 - 0.32 mm<sup>2</sup>  
6.7 mm  
PUR  
green (RAL 6018)  
1.5 mm  
7.5 x cable diameter  
-40 °C...70 °C  
-20 °C...60 °C  
-50 °C...70 °C  
very good  
halogen-free, according to IEC 60754-2  
in accordance with IEC 60811-2-1

Dragline cable  
Cat.5 (ISO/IEC 11801) / Cat.5e (TIA T568-B)  
SF/UTP  
M12 D-code - IP 67 angled pin / M12 D-code - IP 67 angled pin

4\*AWG 22/7 - 0.32 mm<sup>2</sup>  
6.7 mm  
PUR  
green (RAL 6018)  
1.5 mm  
7.5 x cable diameter  
-40 °C...70 °C  
-20 °C...60 °C  
-50 °C...70 °C  
very good  
halogen-free, according to IEC 60754-2  
in accordance with IEC 60811-2-1

### Note

### Ordering data

Cat. 5 PROFINET. PUR. M12 straight-M12 angled	Type	Qty.	Order No.
1.5 m	IE-C5DD4UG0015MCSMCA-E	1	1059770015
3.0 m	IE-C5DD4UG0030MCSMCA-E	1	1059770030
5.0 m	IE-C5DD4UG0050MCSMCA-E	1	1059770050
10.0 m	IE-C5DD4UG0100MCSMCA-E	1	1059770100

Cat. 5 PROFINET. PUR. M12 angled-M12 angled	Type	Qty.	Order No.
1.5 m	IE-C5DD4UG0015MCAMCA-E	1	1059890015
3.0 m	IE-C5DD4UG0030MCAMCA-E	1	1059890030
5.0 m	IE-C5DD4UG0050MCAMCA-E	1	1059890050
10.0 m	IE-C5DD4UG0100MCAMCA-E	1	1059890100

Cat. 5. PUR. M12 angled-open	Type	Qty.	Order No.
1.5 m			
3.0 m			
5.0 m			
10.0 m			

### Note

### Accessories

Marking tags	Type	Qty.	Order No.
Insertion label, yellow, 12 mm	TM-H 12 MC NE GE	320	1718411687
Insertion label, yellow, 18 mm	TM-H 18 MC NE GE	320	1718431687
Transparent sleeves, 12-mm length	TM 4/12 HF/HB	500	1719840000
Transparent sleeves, 18-mm length	TM 4/18 HF/HB	500	1719850000

### Note

Type	Qty.	Order No.
IE-C5DD4UG0015MCSMCA-E	1	1059770015
IE-C5DD4UG0030MCSMCA-E	1	1059770030
IE-C5DD4UG0050MCSMCA-E	1	1059770050
IE-C5DD4UG0100MCSMCA-E	1	1059770100

Type	Qty.	Order No.
IE-C5DD4UG0015MCAMCA-E	1	1059890015
IE-C5DD4UG0030MCAMCA-E	1	1059890030
IE-C5DD4UG0050MCAMCA-E	1	1059890050
IE-C5DD4UG0100MCAMCA-E	1	1059890100

Type	Qty.	Order No.

Type	Qty.	Order No.
TM-H 12 MC NE GE	320	1718411687
TM-H 18 MC NE GE	320	1718431687
TM 4/12 HF/HB	500	1719840000
TM 4/18 HF/HB	500	1719850000

Type	Qty.	Order No.
IE-C5DD4UG0015MCAMCA-E	1	1059890015
IE-C5DD4UG0030MCAMCA-E	1	1059890030
IE-C5DD4UG0050MCAMCA-E	1	1059890050
IE-C5DD4UG0100MCAMCA-E	1	1059890100

Type	Qty.	Order No.

Type	Qty.	Order No.

Type	Qty.	Order No.
TM-H 12 MC NE GE	320	1718411687
TM-H 18 MC NE GE	320	1718431687
TM 4/12 HF/HB	500	1719840000
TM 4/18 HF/HB	500	1719850000











**Assembled cable - railway cable M12**

- Cat. 5
- Radox
- D-coded

**M12 / open**

Plug / -



	M12
yellow	1
white	2
orange	3
blue	4

**Technical data**

Product type  
Category  
Shielding  
Version connector left / Version connector right

Cross-section  
Sheath diameter, max.  
Material sheath  
Sheathing colour  
Insulation cross-section  
Min. bending radius, repetitive  
Ambient temperature (operational)  
Installation temperature  
Storage temperature  
Abrasion resistance  
Halogen  
Resistance to oils  
Fire safety for railway vehicles

System cable  
Cat.5 (ISO/IEC 11801) / Cat.5e (TIA T568-B)  
SF/UTP  
M12 D-code - IP 67 angled pin / Open  
  
2\*2\*AWG 22/7 - 2\*2\*0.36 mm<sup>2</sup>  
7.55 mm  
Radox GKW S  
black, SF/UTP  
1.95 mm  
6 \*diameter  
-40 °C...90 °C  
-25 °C...90 °C  
-40 °C...90 °C  
very good  
halogen-free, according to IEC 60754-2  
in accordance with EN 50306-3  
According to DIN 5510-2 fire safety levels 1,2,3,4, According to BS 6853, According to EN50288-2-2, According to EN 45545, HL1 - HL3

**Note**

**Ordering data**

1.5 m
3.0 m
5.0 m
10.0 m

**Note**

Type	Qty.	Order No.
IE-C5DB4RE0015MCAXXX-X	1	1059900015
IE-C5DB4RE0030MCAXXX-X	1	1059900030
IE-C5DB4RE0050MCAXXX-X	1	1059900050
IE-C5DB4RE0100MCAXXX-X	1	1059900100

**Accessories**

Marking tags	
Insertion label, yellow, 12 mm	
Insertion label, yellow, 18 mm	
Transparent sleeves, 12-mm length	
Transparent sleeves, 18-mm length	

Type	Qty.	Order No.
TM-I 12 MC NE GE	320	1718411687
TM-I 18 MC NE GE	320	1718431687
TM 4/12 HF/HB	500	1719840000
TM 4/18 HF/HB	500	1719850000

**Note**

**Note**

Ethernet plug-in connectors

M12 screw connection with shield connection D-coded

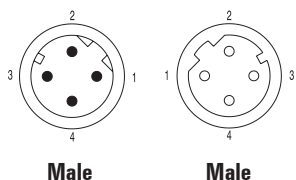


SAISM / SAIBM

Straight

SAISW

Angled



Ordering data

Male	4-pole. PG 9
Female	4-pole. PG 9
Note	

Type	Qty.	Order No.
SAISM-4/8S-M12-4P D-COD	1	1892120000
SAIBM-4/8S-M12-4P D-COD	1	1892130000

Type	Qty.	Order No.
SAISW-4/8S-M12-4P D-COD	1	1160550000

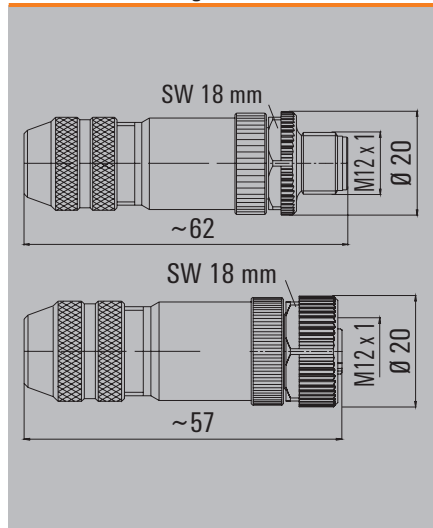
Technical data

Type of connection	Screw connection
Housing main material	CuZn
Connection thread	M12
Cable diameter	6..8 mm
Wire cross-section, min. / max.	0.14...0.75 mm <sup>2</sup>
Rated current	4 A
Rated voltage	250 V
Temperature range of housing	-40 ... +85 °C
Protection degree	IP67
Contact surface	Gold-plated
Note	

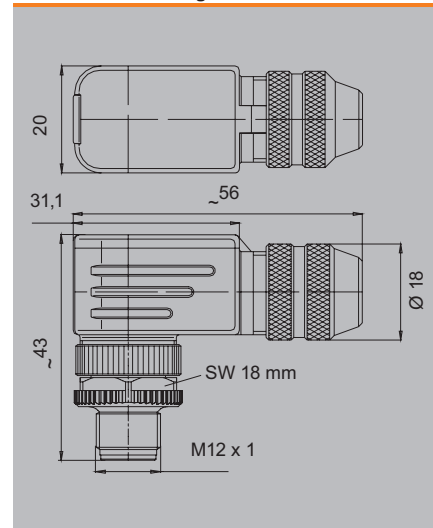
Type of connection	Screw connection
Housing main material	CuZn
Connection thread	M12
Cable diameter	6..8 mm
Wire cross-section, min. / max.	0.14...0.75 mm <sup>2</sup>
Rated current	4 A
Rated voltage	250 V
Temperature range of housing	-40 ... +85 °C
Protection degree	IP67
Contact surface	Gold-plated
Note	

Type of connection	Screw connection
Housing main material	CuZn
Connection thread	M12
Cable diameter	6..8 mm
Wire cross-section, min. / max.	0.14...0.75 mm <sup>2</sup>
Rated current	4 A
Rated voltage	250 V
Temperature range of housing	-40 ... +85 °C
Protection degree	IP67
Contact surface	Gold-plated
Note	

Dimensioned drawing



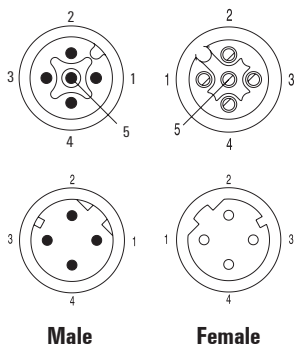
Dimensioned drawing



**M12 tension-clamp connection, stainless steel with shield connection D-coded**



**SAIS / SAIB VA**



**Ordering data**

<b>Male</b>	D-coded, 4-pole, PG 9
<b>Note</b>	

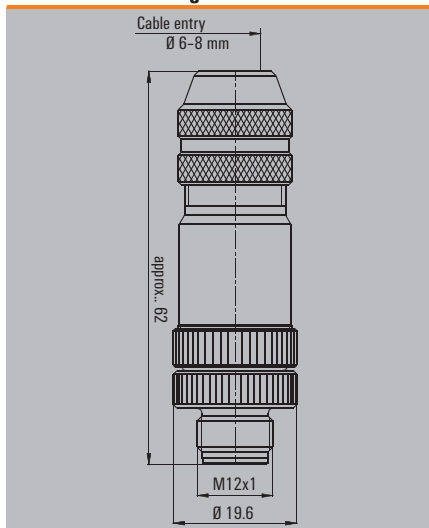
Type	Qty.	Order No.
SAIS 4/9-VA D-COD	1	1920700001

**Technical data**

Type of connection	Tension-clamp connection
Housing main material	1.4404/316L
Connection thread	M12
Cable diameter	6..8 mm (PG9)
Wire cross-section, min. / max.	
Rated current	4 A
Rated voltage	250 V
Temperature range of housing	-40 ... +85 °C
Protection degree	IP69K
Contact surface	Gold-plated
<b>Note</b>	

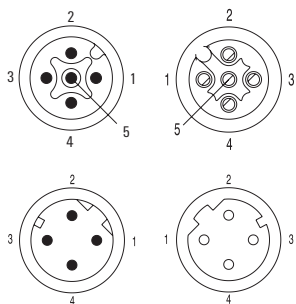
Type of connection	Tension-clamp connection
Housing main material	1.4404/316L
Connection thread	M12
Cable diameter	6..8 mm (PG9)
Wire cross-section, min. / max.	
Rated current	4 A
Rated voltage	250 V
Temperature range of housing	-40 ... +85 °C
Protection degree	IP69K
Contact surface	Gold-plated
<b>Note</b>	

**Dimensioned drawing**



## Customisable plug-in connectors

### M12 crimp connection with shield connection D-coded



Male

Female

### SAISC / SAISWC



### SAI-M12

Crimpkontakt



#### Ordering data

Male	
	4-pole, straight
	4-pole, angled
Note	

Type	Qty.	Order No.
SAISC-M-4/8S-M12-D-CDD	1	1467840000
SAISWC-M-4/8S-M12-D-CDD	1	1467850000
Crimp contacts must be ordered separately.		

Type	Qty.	Order No.
SAI-M12-KSC-0.34/0.5	100	1468860000

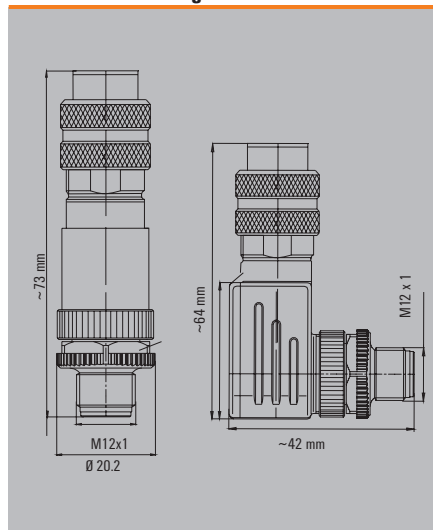
#### Technical data

Type of connection	
Housing main material	
Connection thread	
Cable diameter	
Wire cross-section, min. / max.	
Rated current	
Rated voltage	
Temperature range of housing	
Protection degree	
Contact surface	
Note	

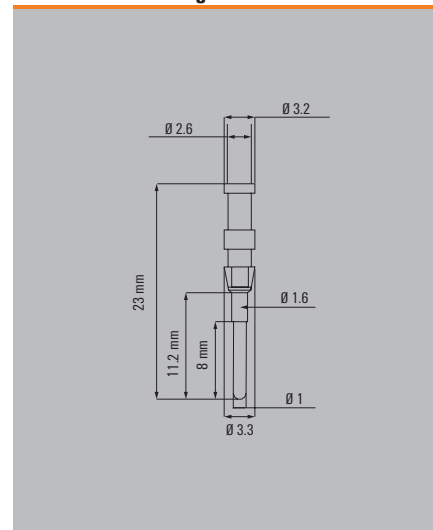
Crimp connection	
CuZn	
M12	
5...8 mm	
0.34...0.5 mm <sup>2</sup>	
4 A	
250 V	
-40 ... +85 °C	
IP67	
Gold-plated	

Crimp connection	
4 A	
250 V	
Gold-plated	

#### Dimensioned drawing



#### Dimensioned drawing



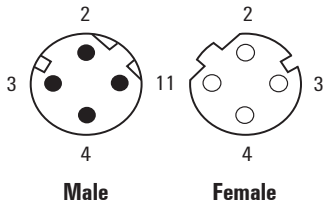


Customisable plug-in connectors

M12 crimp connection  
Panel feed-through  
D-coded



SAIBC



Ordering data

Ethernet cables	
	female
	female
	female
PROFINET cables	
	female

Note

Technical data

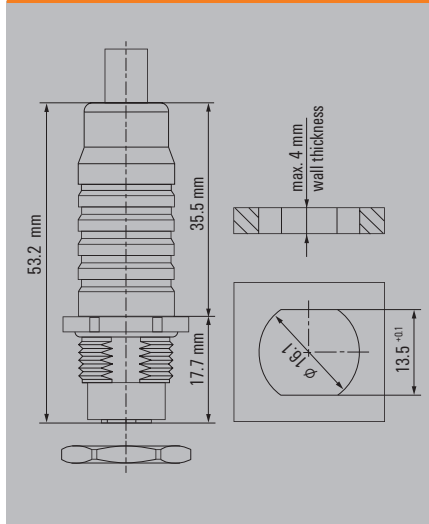
Cable glands
Coding
Protection degree
Number of poles
Rated voltage
Rated current
Category
Connection cross-section min. / max.
Temperature range of housing
Plugging cycles
Note

Type	Qty.	Order No.
SAIBC-WDF-DRR-6.6-C5	1	1380640000
SAIBC-WDF-DRR-7.3-C5	1	1380630000
SAIBC-WDF-DRR-8.3-C5	1	1380650000
SAIBC-WDF-D-PN-6.5-C5	1	1380670000

M 16
D
IP67
4
50 V
4 A
0.34...0.5 mm <sup>2</sup>
-40 ... +85 °C

Female Order No.	Coding	Cable type	HUBER + SUHNER Order No.
1380630000	D	Radox Railcat Databus CAT5 7.3 mm	125868935
1380640000	D	Radox Railcat CAT5 4 x AWG22 XC 6.6 mm	12584038
1380650000	D	Radox Railcat CAT5 4 x 0.5 mm <sup>2</sup> XCS 8.3 mm	12585489
1380670000	D	PROFINET 2 x 2 x AWG22 6.5 mm ± 0.2 mm	

Dimensioned drawing

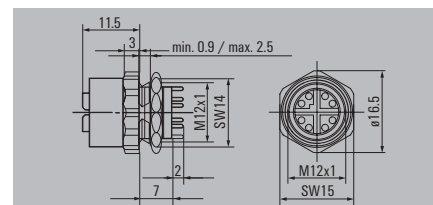
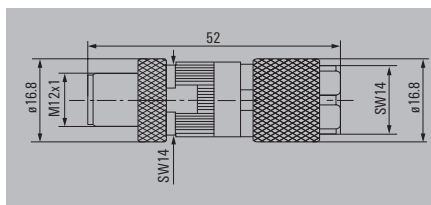
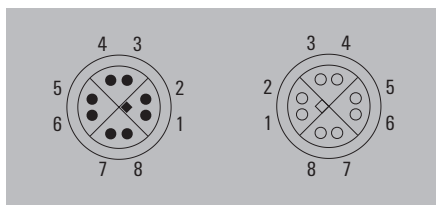




**M12 connector / PCB socket**  
M12 X-type cat. 6<sub>A</sub>

**Plug**

**PCB socket**



**Technical data**

Category	Cat.6A / Class EA (ISO/IEC 11801 2010)
Protection degree	IP67 plugged
Connection 1	M12 / IDC
Housing main material	Zinc diecast
Contact holder materials	PA
Connection thread	M12
Contact material / Contact surface	Brass / Gold-plated
Ambient temperature (operational)	Ambient temperature (operational)-40 / 85 °C
Connector standard	IEC 61076-2-109
Current-carrying capacity at 50 °C	48 V
Rated voltage	100 MΩ
Insulation strength	≥ 100
Plugging cycles	360° all-round enclosure
Configuration	0.48 / 0.76 mm
Shielding	AWG 26/7 / AWG 22/7
Connection diameter, flexible, min. / max.	0.41 / 0.64 mm
Wire cross-section, finely stranded, min. (AWG)	AWG 26/1 / AWG 22/1
Connection diameter, solid, min. / max.	1.6 mm
Wire cross-section, solid, min. (AWG)	5 / 9.7 mm
Insulation cross-section, max.	
Sheath diameter, min. / Sheath diameter, max.	
Note	

Category	Cat.6A / Class EA (ISO/IEC 11801 2010)
Protection degree	IP67, when screwed in
Connection 1	M12 / Solder connection
Housing main material	CuZn
Contact holder materials	M12
Connection thread	CuZn / Gold over nickel
Contact material / Contact surface	Ambient temperature (operational)-40 / 85 °C
Ambient temperature (operational)	IEC 61076-2-109
Connector standard	48 V
Current-carrying capacity at 50 °C	100 MΩ
Rated voltage	≥ 100
Insulation strength	360° all-round enclosure
Plugging cycles	0.48 / 0.76 mm
Configuration	AWG 26/7 / AWG 22/7
Shielding	0.41 / 0.64 mm
Connection diameter, flexible, min. / max.	AWG 26/1 / AWG 22/1
Wire cross-section, finely stranded, min. (AWG)	1.6 mm
Connection diameter, solid, min. / max.	5 / 9.7 mm
Wire cross-section, solid, min. (AWG)	
Insulation cross-section, max.	
Sheath diameter, min. / Sheath diameter, max.	
Note	

Category	Cat.6A / Class EA (ISO/IEC 11801 2010)
Protection degree	IP67, when screwed in
Connection 1	M12 / Solder connection
Housing main material	CuZn
Contact holder materials	M12
Connection thread	CuZn / Gold over nickel
Contact material / Contact surface	Ambient temperature (operational)-40 / 85 °C
Ambient temperature (operational)	IEC 61076-2-109
Connector standard	48 V
Current-carrying capacity at 50 °C	100 MΩ
Rated voltage	≥ 100
Insulation strength	360° all-round enclosure
Plugging cycles	0.48 / 0.76 mm
Configuration	AWG 26/7 / AWG 22/7
Shielding	0.41 / 0.64 mm
Connection diameter, flexible, min. / max.	AWG 26/1 / AWG 22/1
Wire cross-section, finely stranded, min. (AWG)	1.6 mm
Connection diameter, solid, min. / max.	5 / 9.7 mm
Wire cross-section, solid, min. (AWG)	
Insulation cross-section, max.	
Sheath diameter, min. / Sheath diameter, max.	
Note	

**Ordering data**

Plugs	
2-part version	
pre-assembled	
Note	

Type	Qty.	Order No.
IE-PS-M12X-P-FH	10	1324020000

Type	Qty.	Order No.
IE-PCB2-M12X-S-180	10	1393080000
IE-PCB-M12X-S-180	10	1324010000

**Accessories**

Type	Qty.	Order No.

Type	Qty.	Order No.

Type	Qty.	Order No.

Note
------

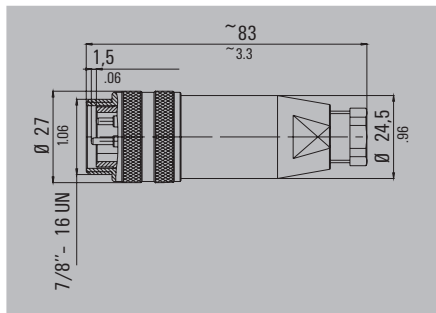
--

--

## FOUNDATION Fieldbus - connector (7/8")

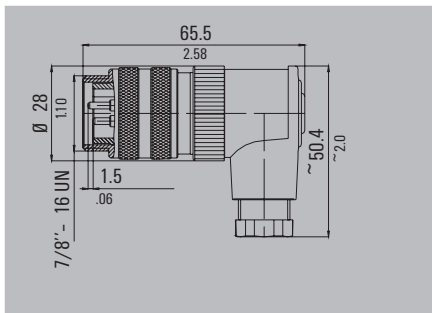
### Plug-in connector FBCon 7/8"

#### Plug-in connector straight (plug)



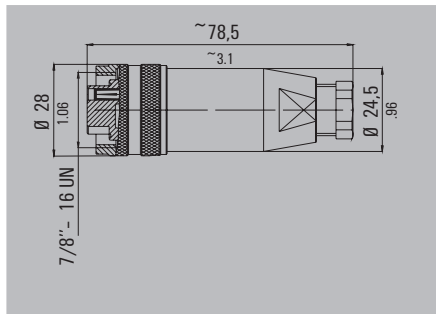
Ordering data		4-pole
Type	Qty.	Order No.
SAIS-4/9-7/8"	1	1808840000

#### Plug-in connector 90° (plug)



Ordering data		4-pole
Type	Qty.	Order No.
SAISW-4/9-7/8"	1	1808830000

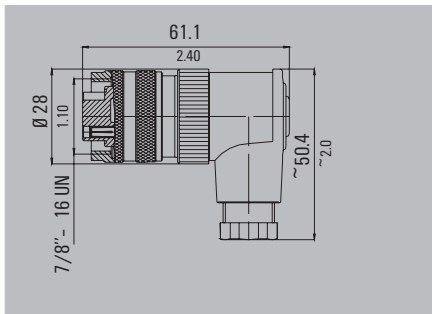
#### Plug-in connector straight (socket)



Ordering data		4-pole
Type	Qty.	Order No.
SAIB-4/9-7/8"	1	1812480000

Note: refer also to chapter 7/8"

#### Plug-in connector 90° (socket)



Ordering data		4-pole
Type	Qty.	Order No.
SAIBW-4/9-7/8"	1	1812470000

### Technical data

No. of poles	4
Lock	Screw 7/8" UNF
Cable gland	PG 9
Connection	Screw
Connection cross-section	max. 1,5 mm <sup>2</sup>
Connection cross-section	16 AWG
Enclosure protection class	IP 67
Mechanical service life	> 500 plugging cycles
Upper limit temperature	+ 85 °C
Lower limit temperature	- 40 °C

### Electrical data

Rated voltage	250 V
Rated surge voltage	4000 V
Pollution severity	3
Surge category	II
Insulation material group	III
Test surge voltage	4800 V
Rated current	9 A (40°)
Volume resistivity	≤ 5 mΩ
Insulation resistance	> 10 <sup>10</sup> Ω

### Materials

Contact pins	CuZn	(brass)
Contact surface	Au	(gold)
Socket body	PUR/PA	(UL 94 HB)
Enclosure cable plug	PBT	(UL 94 V-0)
Threaded ring	Anodised aluminium	

Accessories for fieldbus distributors

For technical data, consult Catalogue 5 - Cable boxes and feedthroughs

Cable glands – plastic – IP68

VG M16-1/K68



Ordering data

Type	Qty.	Order No.
VG M16-1/K68	50	1909860000
Long-thread version on request, halogen-free without sealing ring.		

Cable glands – brass – IP68

VG M16-1/MS68



Ordering data

Type	Qty.	Order No.
VG M16-1/MS68	50	1909910000
Long-thread version on request		

Cable glands – brass – 1/EMV

VG M16 - MS 1/EMV



Ordering data

Type	Qty.	Order No.
VG M16 - MS 1/EMV	50	1909500000
Further versions on request		

Sealing rings – 9005

GWDR M16-NP



Ordering data

Type	Qty.	Order No.
GWDR M16-NP	50	1736230000
Further versions on request.		

Blanking plugs – brass

VP M16-MS65



Ordering data

Type	Qty.	Order No.
VP M16-MS65	100	1777730000
Other versions available on request. The blanking plugs must be tightened "hand-tight" with the screwdriver.		

Blanking plugs – plastic – EEx e

VP M16-EXE SW



Ordering data

Type	Qty.	Order No.
VP M16-EXE SW	100	1737070000

Compensating elements – plastic – DAE



Ordering data

Type	Qty.	Order No.
DAE M12 PA SHORT UL	10	2729520000
Light grey version - RAL 7035 - on request.		



# Tools and markers

---

<b>Tools and markers</b>	Introduction	M.2
	Screwty®	M.4
	Cutting tools	M.7
	Sheathing and insulation stripping tools	M.8
	Stripping and cutting tools	M.9
	Crimping tools	M.12
	Marking systems	M.16

---

# SAI tools

The Screwty® is a state-of-the-art tool that features a unique, patented retention method. The adjustable torque ensures that the connectors have actually been sealed tightly. The Screwty® attachment for M23 is also very important because the sealing method for the M8 and M12 connectors are comparable to the M23.

The fact that the Screwty® attachment slips back is a major advantage of this system. This means that it does not have to be re-applied, as would be the case when using an open

ended wrench. There is also no risk that the screw can loosen when you turn the tool the wrong way since the Screwty® is only capable of exerting force in one direction.

It is also possible to put other tool attachments on the 1/4"-drive. This allows the use of torque spanner wrenches or torque screwdrivers. This is also available without torque for those who cannot fit a torque tool into their budgets.

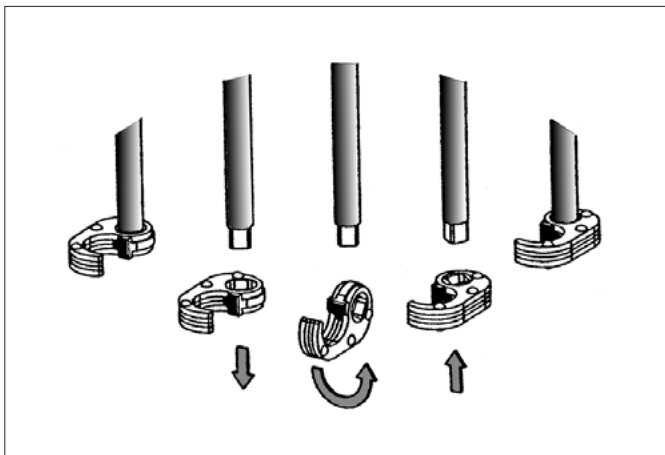


The Screwty® can also be used to screw on M23 connectors.



The tool does not have to be re-applied. During the follow-up it simply slips back.

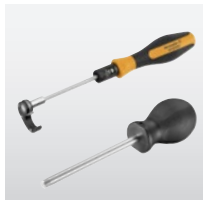
## M



You can change the function from closed to open by simply turning it around.



The Screwty® can also be purchased as a set with other suitable attachments.



### Screwty®

- With optional torque function
- Easier work
- For M8, M12 and M23



### Cutting tools

- Cutting shape for various cable sizes
- Cutting without deformation of the conductor



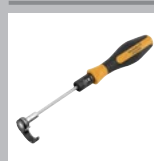
### Sheathing and insulation stripping tools

- No need to adjust cutting depth
- No damage to inner conductors



### Stripping and cutting tool

- Special, self adjusting stripping blades do not damage the conductor



**Screwty®**  
Bolting tools



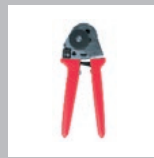
**Cutting tools**



**Sheathing and insulation stripping tools**



**Stripping and cutting tools**



**SAI M23 crimping tool**



**Marking systems**

# Screwty® for M8/M12/M23



## The Torque Screwty®

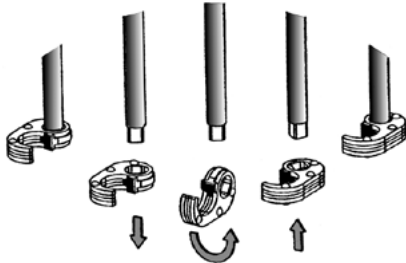
- Easier work
- Screw on circular plug, safety sealed

## The perfect tool for all situations

Screwty® is the ideal, universal tool for tightening and releasing cable glands on all common sensor and actuator cables. The Screwty® can also reach those round plugs normally considered inaccessible! No great force is required, simply turn the tool to tighten or release the plug in connector as required.

The Screwty® also fits the majority (more than 90 %) of the cables and plug-in connectors of other suppliers and is therefore a unique tool that is useful worldwide. The Screwty® consists of a handle with a conventional 1/4" fitting. This means it can be used for all sizes: for M12 and M8 round plugs, and the M12F and M8F types, as well as for plugs and sockets on custom cables. The Screwty® is suitable for the following round plugs:

Size	M8	M8F	M12	M12F	M23
	10 ±0.3 mm	11.9 ±0.3 mm	14.5 ±0.3 mm	19.8 ±0.3 mm	26.2 ±0.3 mm
Thread	M8x1	M8x1	M12x1	M12x1	M23x1



Simply turn the ratchet to tighten or loosen the cable gland.

An adjustable torque fitting is also available for the Screwty®, for guaranteeing extra reliability during installation.

The torque can be infinitely adjusted between 0.5 and 1.7 Nm. This accurate setting enables all round plugs to be tightened precisely with a pre-set torque.

Weidmüller specifies the following torques for its round plugs:

Size	M8	M8F	M12	M12F	M23
Torque	0.5-0.6 Nm	0.5-0.6 Nm	0.8-1.2 Nm	0.8-1.2 Nm	2-2.5 Nm
Thread	M8x1	M8x1	M12x1	M12x1	M23x1

The Screwty® can also be fitted with other blades to create a torque screwdriver. You can find these blades in our catalogue "Tools".



Use of an M12 Screwty®

1. Position Screwty®
2. tighten connector,
3. finished!



Use of an M23 Screwty®



## Screwty® standard



### Ordering data

Type	Use	Qty.	Order No.
Screwty® M12	moulded M12 lines	1	1900000000
Screwty® M8	moulded M8 lines	1	1900010000
Screwty® M12 F	M12 plugs for custom assembly	1	1900020000
Screwty® M8 F	M8 plugs for custom assembly	1	1900030000

## Screwty® attachments



Screwty® M8 attachment

Screwty® M8 F attachment

Screwty® M12 attachment

Screwty® M12 F attachment

Screwty® M23 attachment

### Ordering data

Type	Qty.	Order No.
Screwty® M12 KO o. SD	1	1900100000
Screwty® M8 KO o. SD	1	1900110000
Screwty® M12F KO o. SD	1	1900120000
Screwty® M8F KO o. SD	1	1900130000
Screwty® M23	1	1981560000

#### Legend:

F	for custom assemblies
DM	torque
KO o. SD	ratchet only (attachment)
Screwty®	screwdriver
Screwty® DM	torque screwdriver, interchangeable blade
WK	interchangeable blade
LS	power plug

## Screwty® with torque fitting

Setting aid for Screwty® with torque fitting (included)



### Ordering data

Type	Use	Qty.	Order No.
Screwty®-M12-DM	moulded M12 lines with torque requirement	1	1900001000
Screwty®-M8-DM	moulded M8 lines with torque requirement	1	1900011000
Screwty®-M12 F-DM	M12 plugs, custom assembly with torque requirement	1	1900021000
Screwty®-M8 F-DM	M8 plugs, custom assembly with torque requirement	1	1900031000

#### Fitting

Type	Content
Screwty®-M12-DM	1 interchangeable blade, 1 torque handle, 1 setting aid for Screwty® torque, 1 Screwty® M12 attachment
Screwty®-M8-DM	1 interchangeable blade, 1 torque handle, 1 setting aid for Screwty® torque, 1 Screwty® M18 attachment
Screwty®-M12 F-DM	1 interchangeable blade, 1 torque handle, 1 setting aid for Screwty® torque, 1 Screwty® M12 F attachment
Screwty®-M8 F-DM	1 interchangeable blade, 1 torque handle, 1 setting aid for Screwty® torque, 1 Screwty® M18 F attachment

## Screwty® Set



### Ordering data

Type	Qty.	Order No.
Screwty® Set	1	1910000000

#### Fitting

Type	Content
Screwty® Set	1x Screwty® standard handle + 1 M12, M8, M12 F, M8 F Attachments

## Screwty® interchangeable handle/interchangeable bit / Hexagonal



### Ordering data

Type	Qty.	Order No.
1/4" handle	1	4294820000
WK-1/4" (Screwty®)	1	1862200000
SCREWTY SW9	1	1254630000
SCREWTY SW10	1	1254640000
SCREWTY SW12	1	2598970000
SCREWTY SW13	1	1254650000
SCREWTY SW15	1	1290830000
SCREWTY SW17	1	1254660000
SCREWTY SW18	1	1254670000
SCREWTY SW19	1	1254680000

## Screwty® Set-DM



### Ordering data

Type	Qty.	Order No.
Screwty® Set-DM	1	1920000000

#### Fitting

Type	Content
Screwty® Set-DM	1 interchangeable blade, 1 torque handle, 1 setting aid for Screwty® torque, 1 each of Screwty® M12, M8, M12 F, M8 F attachments







### Cutting tools

- The cutting blade design for different cable sizes increases the quality of the cuts for smaller cross-sections
- Not suitable for steel wires, steel-armoured cables, aluminium alloys and hard-drawn copper conductors!
- Cutting without deformation of the conductor
- Do not cut live conductors
- Individually tested protective insulation, 1000V, VDE and GS tested in accordance with EN/IEC 60900
- Optimised handle ergonomics
- Minimal hand force required



### KT 8




-  8 mm
-  16 mm<sup>2</sup>
-  16 mm<sup>2</sup>
-  16 mm<sup>2</sup>

Suggested cross-section range /  
Empfohlener Querschnittsbereich



### KT 12



-  12 mm
-  16 mm<sup>2</sup>
-  25 mm<sup>2</sup>
-  35 mm<sup>2</sup>

Suggested cross-section range /  
Empfohlener Querschnittsbereich



### Technical data

<b>Max. cutting performance, copper cable acc. to EN 60228</b>
Copper cable - solid, max.
Copper cable - stranded, max.
Copper cable - flexible, max.
<b>Max. cutting performance, aluminium cable acc. to EN 60228</b>
Stranded aluminium cable, max (mm <sup>2</sup> )
Stranded aluminium cable, max. diameter
<b>Tool data</b>
Depth / Width / Height
Weight
<b>Note</b>

### Ordering data

<b>Version</b>
<b>Note</b>

<b>KT8</b>
50 mm <sup>2</sup> / 1 AWG
35 mm <sup>2</sup> / 2 AWG
25 mm <sup>2</sup> / 4 AWG
35 mm <sup>2</sup> / 2 AWG
9 mm
30 / 185 / 65,5 mm
180 g
Tool closed

Type	Qty.	Order No.
KT 8	1	9002650000

<b>KT12</b>
95 mm <sup>2</sup> / 3/0 AWG
70 mm <sup>2</sup> / 2/0 AWG
50 mm <sup>2</sup> / 1 AWG
70 mm <sup>2</sup> / 2/0 AWG
11 mm
30 / 225 / 63,5 mm
300 g
Tool closed

Type	Qty.	Order No.
KT 12	1	9002660000

## Sheathing and insulation stripping tools

### Special sheathing and insulation stripping tools

- Quick and accurate stripping
- No need to adjust cutting depth
- No damage to inner conductors

### Stripper 6-16



#### Stripper 6-16

The Stripper 6-16 insulation stripping tool is for removing the outer sheath of sensor cables. No damage to inner wires can occur because the blades have a specially ground surface. Adjusting the tool to different cross-sections is unnecessary. The visual scale of 15 to 20 mm enables quick and precise stripping of outer insulation.

### AM 12

For UTP and STP data cables



- Cutting of UTP and STP data cables and other flexible copper cables with a diameter of up to 4 mm<sup>2</sup> (~AWG11)
- Stripping of the outer insulation of UTP and STP data cables and other round cables with Ø approx. 0.5 ... 12.5 mm
- No damage to the shielding or conductor due to adjustable stripping blade
- Length end stop for repeated cutting and stripping lengths

### Technical data

<b>Max. stripping performance</b>
Cable type
Conductor diameter
Cut depth
<b>Cutting performance</b>
UTP und STP data cables, max. diameter
Copper cable - flexible, max.
<b>Tool data</b>
Width
Height
Weight
<b>Note</b>

<b>Stripper 6-16</b>
suitable for PVC and PUR cables
<b>Tool data</b>
Width
165 mm
Height
Weight
120 g
<b>Note</b>

<b>AM 12</b>
UTP and STP data cables
0.5...12.5 mm
adjustable
8 mm
4 mm <sup>2</sup>
97 mm
46 mm
36 g
<b>Note</b>

### Ordering data

<b>Version</b>
<b>Note</b>

Type	Qty.	Order No.
STRIPPER 6-16 RED-LINE	1	9203110000

Type	Qty.	Order No.
AM 12	1	9030060000

### Accessories

<b>Note</b>

Type	Qty.	Order No.

Type	Qty.	Order No.
Sheathing stripper		

### Stripping and cutting tools

- For flexible and solid conductors
- Double-insulated cables in two process steps without special adjustment
- Automatic opening of clamping jaws after stripping
- No play in self-adjusting cutting unit
- Long service life
- No splaying of individual conductors
- Optimised ergonomic design
- Stripping length adjustable via end stop
- Adjustable to diverse insulation thicknesses
- Removable handle shells
- Fold-out cutting protection
- Personalised marking with ESG device marker
- Selectable two-stage partial stripping

### stripax®

0.08...10 mm<sup>2</sup>



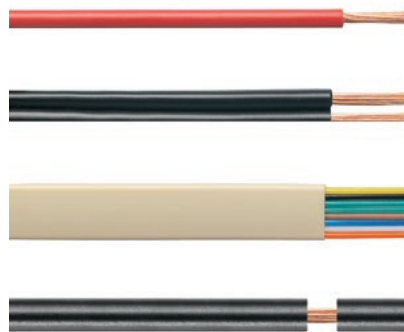
- Stripping: PVC-insulated flexible and solid conductors from 0.08...10 mm<sup>2</sup> (~AWG 28...7)
- Cutting: PVC-insulated flexible conductors, ranging from 0.08...6 mm<sup>2</sup> (~AWG 28...10)
- Processing of multi-conductors. Several thin flat ribbon cables can even be processed in one operation
- No damage to the conductors thanks to special, self-adjusting stripping blades

### stripax® 16

6...16 mm<sup>2</sup>



- Stripping: PVC-insulated flexible and solid conductors from 6...16 mm<sup>2</sup> (~AWG 10... 6)
- Cutting: PVC insulated flexible and solid conductors up to 6 mm<sup>2</sup> (AWG 10)
- No damage to the conductor thanks to specially shaped blade



### Technical data

<b>Max. stripping performance</b>
Cable type
Wire cross-section, min. / max.
Stripping length, max.
<b>Cutting performance</b>
Conductor cross-section (cutting capacity)
<b>Tool data</b>
Width
Height
Weight
<b>Note</b>

<b>STRIPAX</b>
Flexible and solid conductors with PVC insulation
0.08...10 mm <sup>2</sup>
25 mm
6 mm <sup>2</sup>
190 mm
99 mm
225 g

<b>STRIPAX 16</b>
Flexible and solid conductors with PVC insulation
6...16 mm <sup>2</sup>
25 mm
6 mm <sup>2</sup>
190 mm
99 mm
175 g

### Ordering data

<b>Version</b>
<b>Note</b>

Type	Qty.	Order No.
STRIPAX	1	9005000000
STRIPAX ZERT	1	9017330000

Type	Qty.	Order No.
STRIPAX 16	1	9005610000
STRIPAX 16 ZERT	1	9918180000

### Accessories

Spare stripping blade
Spare clamping jaw
<b>Note</b>

Type	Qty.	Order No.
ERME 10 <sup>2</sup> SPX 4	1	1119030000
ERTE KLBC SPX 10	1	2571480000

Type	Qty.	Order No.
ERME 16 <sup>2</sup> SPX 4	1	1119040000
ERTE KLBC SPX 16	1	2571490000

## Stripping and cutting tools

### multi-stripax®

**Multifunctional stripping tool for use on a multitude of conductor insulation forms and configurations – even those not covered by the standard**

#### multi-stripax® the troubleshooter

- Interchangeable stripping units
- Proper stripping of any conductor round, flat or special profiles, thanks to the specially shaped stripping blades
- Incorporates cutting function for up to 2.5 mm<sup>2</sup> solid and 6 mm<sup>2</sup> fine
- Fatigue free operation thanks to ergonomic design
- No damage to conductor or remaining insulation
- Best stripping results for industrial applications
- Stripping results reproduced accurately time and time again
- A long lasting, reliable tool thanks to its robust design
- Plus, the customary Weidmüller repair service

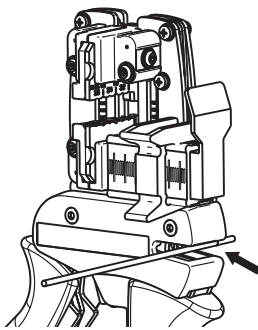
#### Special stripping units – the answer to diverse stripping tasks

The multi-stripax® tool, distinguished by its robust design was developed, following customer feedback, to handle all the stripping tasks they have met with in practice.

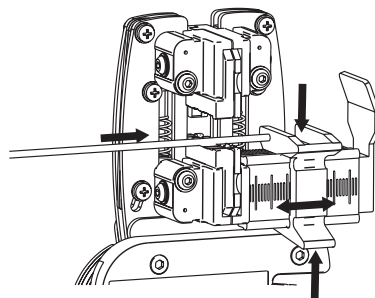
Thanks to the interchangeable stripping units, a special solution can be found for every challenge in the marketplace.

The specially shaped stripping blades guarantee perfect stripping results. The guide plates ensure the correct positioning of the wire and therefore prevent damage to the remaining wire. The clamping jaws hold the conductor with just the right force during the stripping operation and are matched to the specific situation at hand. The flexibility of the multi-stripax® to affect the result of the stripping operations depending on the different variables it encounters makes it a universal troubleshooter.

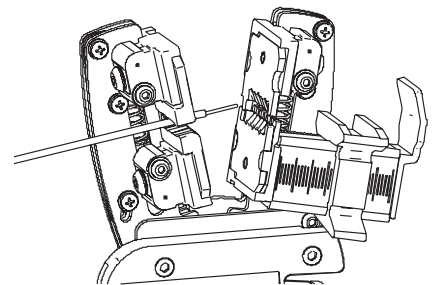
#### Cutting



#### Positioning



#### Stripping



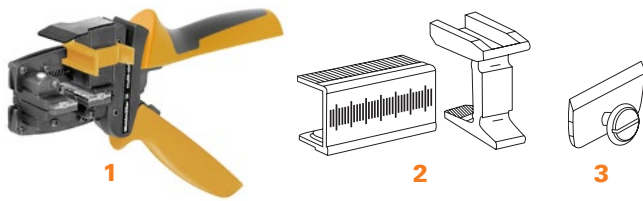
### multi-stripax®



#### Technical data

Cable type	PVC, Teflon, PTE, PUR, silicone, halogen free
Conductor cross-section, min.	2 mm
Conductor cross-section, max.	no limit (in several steps)
max. cutting capacity, fine-strand	6 mm <sup>2</sup>
max. cutting capacity, solid	2,5 mm <sup>2</sup>
max. cutting capacity, ribbon	10,2 x 4 mm
Depth/Width/Height	250 / 85 / 40 mm
Weight	250 g
<b>Note</b>	

multi-stripax® incl. stripping unit



- High quality stripping for industrial applications
- Specially shaped stripping blades enable stripping of special types of insulation and conductor configurations
- Adjustable stop for setting stripping lengths from 2.3 to 30 mm
- Highly flexible thanks to interchangeable stripping units
- Stripping results reproduced accurately time and time again
- No damage to the conductor or insulation
- A long lasting, reliable tool thanks to its robust design
- Integral cutting function for max. 2.5 mm<sup>2</sup> solid or 6 mm<sup>2</sup> flexible cables

Ordering data

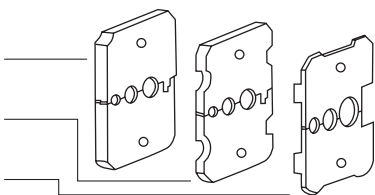
Illustration	Type	Qty.	Order No.	Features
1	multi-stripax® 6-16	1	9202210000	PVC-insulated cables; Cable cross-section 6 up to 16 mm <sup>2</sup> ; max. stripping lengths depends on cable design / cable type 1. station solid, stranded and flexible 6 mm <sup>2</sup> 2. station solid, stranded and flexible 10 mm <sup>2</sup> 3. station solid, stranded and flexible 16 mm <sup>2</sup> double stranded (flexible) Cutting function up to 6 mm <sup>2</sup>
1	multi-stripax® ASI	1	9202250000	ASI Bus cables 2 x 1.5 mm <sup>2</sup> flexible for PTE, PUR and EPDM insulated cables Stripping of outer insulation and inner cable Cutting function up to 6 mm <sup>2</sup>
1	multi-stripax® GKW LW	1	9205760000	Railway cable Radox GKW LW; Cable cross-section 1.0; 1.5 and 2.5 mm <sup>2</sup> max. stripping lengths depends on cable design / cable type Cutting function up to 6 mm <sup>2</sup>
2	ERAN multi-stripax®	1	9203100000	Length stop
3	ERME multi-stripax®	1	9203070000	Cutting knife

Note

Stripping units for multi-stripax®

Stripping unit consists of:

- Clamping jaws
- Short symbol KLBC SPX SP
- Insulation stripping tool
- Short symbol AIME SPX SP
- Guide plate
- Short symbol FUEPL SPX SP



- Highly flexible thanks to interchangeable stripping units
- High quality stripping for industrial applications
- Specially shaped stripping blades enable stripping of special types of insulation and conductor configurations

e = solid  
m = stranded  
f = finely stranded

Ordering data

Type	Qty.	Order No.	Features
AIE multi-stripax® 6-16	1	9202260000	PVC insulated cables; Cable cross section 6 up to 16 mm <sup>2</sup> ; max. stripping lengths depends on cable design / cable type 1. station solid, stranded and flexible 6 mm <sup>2</sup> 2. station solid, stranded and flexible 10 mm <sup>2</sup> 3. station solid, stranded and flexible 16 mm <sup>2</sup> double stranded (flexible)
AIE multi-stripax® ASI	1	9202300000	ASI Bus cables 2 x 1.5 mm <sup>2</sup> flexible for PTE, PUR and EPDM insulated cables Stripping of outer insulation and inner cable
AIE multi-stripax® GKW LW	1	9205770000	Railway cable Radox GKW LW; Cable cross section 1.0; 1.5 and 2.5 mm <sup>2</sup> max. stripping lengths depends on cable design / cable type

## Crimping tools

## Crimping tool for M12 cable connector

SAI-TMDCD



## Ordering data

Hand crimping tool
<b>Note</b>

Type	Qty.	Order No.
SAI-TMDCD	1	1381710000

## Accessories

<b>Crimping die for hand crimping tools</b>
For crimp flange PROFINET (D-code), $\varnothing$ 6.5 mm
For crimp flange Ethernet (D-code), cable RAILCAT $\varnothing$ 6.6 mm
For crimp flange Ethernet (D-code), cable RAILCAT $\varnothing$ 7.3 mm
For crimp flange Ethernet (D-code), cable RAILCAT $\varnothing$ 8.3 mm
<b>DUO crimping die for hand crimping tools</b>
For M12 contact and crimping sleeve PROFINET (D-code), Cable PROFINET $\varnothing$ 6.5 mm
<b>Note</b>

Type	Qty.	Order No.
SAI-CEH075	1	1381760000
SAI-CEH080	1	1381730000
SAI-CEH090	1	1381740000
SAI-CEH095	1	1381750000
SAI-CEH-M12D-KCR075	1	1381770000



**Crimping tool for turned contacts  
(M12 cable connector)**

**M12 MIL hand crimping tools (TMCGK)**

For crimping turned contacts AWG 12 - AWG 26



**Positioner for M12 MIL hand crimping tools**

PROFINET (D-code) with the TMCGK



**Ordering data**

Type	Qty.	Order No.
SAI-TMCGK	1	1381670000

**Ordering data**

Type	Qty.	Order No.
SAI-TMC - P4	1	1381680000

**Mounting tool for M12 cable connector**

Mounting tool for Industrial Ethernet cable shielded bushing

**M12 MIL hand crimping tools (TMCSK)**

For crimping turned contacts AWG 20 - AWG 32



**Positioner for M12 MIL hand crimping tools**

PROFINET (D-code) with the TMCSK



**Ordering data**

Type	Qty.	Order No.
SAH-MDC12AL1	1	2726210000

**Ordering data**

Type	Qty.	Order No.
SAI-TMCSK	1	1381690000

**Ordering data**

Type	Qty.	Order No.
SAI-TMC - PD	1	1381700000

## Crimping tools

This tool is suitable for M23 signal connectors and power connectors.



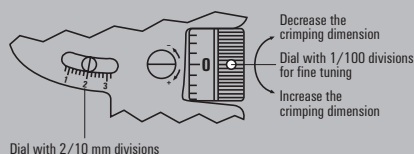
#### Adjusting the crimping dimensions

The adjustment mechanism is used to set the crimping depth of the crimping mandrel as described below.

The adjusting dial is used to prepare the infeed; the dial can be turned clockwise (for decreasing the dimension) or counter-clockwise (for increasing the dimension).

#### Adjustment precision

- 1 division mark on the dial v 1/100 mm adjustment
- 1 complete revolution of the dial v 0.2 mm adjustment read from scale
- 5 revolutions of the dial v 1 mm adjustment read from scale



Dial with 2/10 mm divisions

#### Verifying the crimping dimension

The four-mandrel crimping tool is pre-set at the factory.

The actual crimping size should still be checked periodically.

It should be checked using the plug gauge (Ø 2.0 mm) that is included with the crimping tool as described below. Use the dial on the stationary tool shank to set the size to 2.0 mm on the scale. Set to the zero-point tick mark on the dial and close the tool. (Refer to the diagram showing the crimping size adjustment.) At this setting, it should be possible to move the 2.00-mm-Ø plug gauge without any play or extra room. If this is not possible, then the size deviation (+/-) can be determined using the dial's fine-adjustment mechanism. If this size check reveals that the tool is not within the tolerance range specified by the manufacturer of the contacts, then you should contact the manufacture of the tool for further inspection.

#### Servicing and maintenance

Before you start to use the hand crimping tool, it must be clean and in proper working condition. Crimp residue or fragments must be removed from the crimping jaws and locator. The joints should be regularly lubricated using machine oil to protect them from dirt. Make sure that all bolts are secured with locking rings.

## SAI M23 crimping tool 1

### Technical data

Crimp contact	Wire cross-section (mm <sup>2</sup> )	Crimping mandrel adjustment	Locator position	Order No.
Crimp male, 1 mm	0.08	0.78	11	1170140000
	0.14	0.81		
	0.25	0.83		
	0.34	0.88		
	0.56	0.97		
Crimp male, 1 mm	0.75	0.75	11	1170170000
	1.00	1.00		
	1.50	1.50		
Crimp female, 1 mm	0.75	0.75	12	1170210000
	1.00	1.00		
	1.50	1.50		
Crimp male, signal 1 mm	0.14	0.75	11	1170150000
	0.25	0.82		
	0.34	0.90		
	0.50	1.00		
	0.75	1.08		
Crimp female, signal 1 mm (0.08-0.56 mm <sup>2</sup> )	1.00	1.20	12	1995860000
	0.14	0.75		
	0.25	0.80		
Crimp female, signal 1 mm (0.34-1.00 mm <sup>2</sup> )	0.35	0.87	12	1170180000
	0.50	0.97		
	0.75	1.05		
Crimp male, signal 1.5 mm	0.50	0.95	3	1170220000
	0.75	1.03		
	1.00	1.00		
	1.00	1.00		
	1.00	1.05		
Crimp female, signal 1.5 mm	0.14	0.75	4	1170230000
	0.25	0.80		
	0.35	0.87		
	0.50	0.97		
	0.50	0.95		
Crimp female, signal 1.5 mm (0.34-1.00 mm <sup>2</sup> )	0.75	1.00	4	1170240000
	1.00	1.05		
	1.00	1.05		
Crimp male, signal 2 mm	0.75	1.30	5	1170250000
	1.00	1.40		
	1.50	1.55		
	1.50	1.55		
	2.50	1.75		
Crimp female, signal 2 mm	0.75	1.30	6	1170260000
	1.00	1.40		
	1.50	1.55		
	1.50	1.55		
	2.50	1.75		
Crimp male, power 1 mm	0.14	0.75	1	1170390000
	0.25	0.80		
	0.35	0.85		
	0.50	1.03		
	0.75	1.08		
Crimp female, power 1 mm	1.00	1.13	2	1995830000
	0.14	0.75		
	0.25	0.80		
Crimp male, power 2 mm	0.35	0.85	7	1170400000
	0.50	0.89		
	0.75	0.95		
Crimp female, power 2 mm	1.00	1.02	7	1170410000
	0.75	1.20		
	1.00	1.40		
Crimp male, power 2 mm	1.50	1.55	8	1995820000
	2.50	1.70		
	2.50	1.70		
Crimp female, power 2 mm	4.00	1.60	8	1170420000
	2.50	1.47		
	4.00	1.60		

### Ordering data

Type	Order No.
SAI M23 CRIMPING TOOL 1	1203840000

This tool is only suitable for M23 signal connectors.

### Operation mode

The following table specifies the locator positions and the crimping dimensions for various crimping contacts. The contact is inserted through the tool into the locator; this ensures the proper crimping position. The inserted contact is secured by closing gently (approximately to first snap-close level). Now the cable can be easily inserted and it is not possible for the contact to fall out. The tool must be pressed together until it reaches the end stop position in order to function properly. It is then able to open automatically which brings the crimping process to a close in the intended manner.

### SAI M23 crimping tool 2

Dial and setting spindle with 0.01-mm divisions for the fine tuning

Crimping position



End stop

Metric scale with 0.2-mm divisions for coarse adjustments

### Technical data

Crimp contact	Wire cross-section (mm <sup>2</sup> )	Crimping mandrel adjustment	Locator position	Order No.
Crimp male 1 mm	0.08	0.72	1	1170140000
	0.14	0.78		
	0.25	0.82		
	0.34	0.86		
	0.56	0.90		
Crimp male 1 mm	0.75	0.80	1	1170170000
	1.00	0.86		
	1.50	0.95		
Crimp female 1 mm	0.75	0.80	2	1170210000
	1.00	0.86		
	1.50	0.95		
Crimp male 1 mm	0.14	0.86	1	1170150000
	0.25	0.90		
	0.34	0.95		
	0.56	0.98		
	0.75	1.03		
	1.00	1.08		
Crimp female 1 mm (0.08-0.56 mm <sup>2</sup> )	0.08	0.75	2	1995860000
	0.14	0.78		
	0.25	0.82		
	0.34	0.86		
	0.56	0.90		
Crimp female 1 mm (0.34-1.00 mm <sup>2</sup> )	0.34	0.77	2	1170180000
	0.56	0.82		
	0.75	0.88		
	1.00	0.95		
Crimp male 1.5 mm	0.14	0.65	3	1170220000
	0.25	0.68		
	0.34	0.72		
	0.56	0.81		
	0.75	0.95		
	1.00	1.07		
Crimp female 1.5 mm (0.14-0.75 mm <sup>2</sup> )	0.14	0.70	2	1170230000
	0.25	0.73		
	0.34	0.77		
	0.56	0.85		
	0.75	1.05		
Crimp female 1.5 mm (0.34-1.00 mm <sup>2</sup> )	0.34	0.88	2	1170240000
	0.56	0.95		
	0.75	1.05		
	1.00	1.13		
Crimp male 2.0 mm	0.75	1.20	4	1170250000
	1.00	1.35		
	1.50	1.45		
	2.50	1.60		
Crimp female 2.0 mm	0.75	1.25	5	1170260000
	1.00	1.35		
	1.50	1.45		
	2.50	1.60		

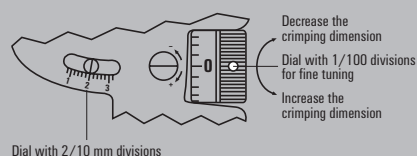
#### Adjusting the crimping dimensions

The adjustment mechanism is used to set the crimping depth of the crimping mandrel as described below.

The adjusting dial is used to prepare the feed; the dial can be turned clockwise (for decreasing the dimension) or counter-clockwise (for increasing the dimension).

#### Adjustment precision

- 1 division mark on the dial v 1/100 mm adjustment
- 1 complete revolution of the dial v 0.2 mm adjustment read from scale
- 5 revolutions of the dial v 1 mm adjustment read from scale



#### Verifying the crimping dimension

The four-mandrel crimping tool is pre-set at the factory. The actual crimping size should still be checked periodically. It should be checked using the plug gauge (Ø 1.0 mm) that is included with the crimping tool as described below. Use the dial on the stationary tool shank to set the size to 1.0 mm on the scale. Set to the zero-point tick mark on the dial and close the tool. (Refer to the diagram showing the crimping size adjustment.) At this setting, it should be possible to move the 1.00-mm-Ø plug gauge without any play or extra room. If this is not possible, then the size deviation (+/-) can be determined using the dial's fine-adjustment mechanism. If this size check reveals that the tool is not within the tolerance range specified by the manufacturer of the contacts, then you should contact the manufacture of the tool for further inspection.

#### Servicing and maintenance

Before you start to use the hand crimping tool, it must be clean and in proper working condition. Crimp residue or fragments must be removed from the crimping jaws and locator. The joints should be regularly lubricated using machine oil to protect them from dirt. Make sure that all bolts are secured with locking rings.

### Ordering data

Type	Order No.
SAI M23 CRIMPING TOOL 2	1203960000

# SFC – SlimFix Clip MultiCard

## A convenient clip system for wires and cables

### Highly durable markers with extra security

The halogen-free SlimFix Clips are made from sturdy polyamide 66 and combine two advantages in one product. Their unique clip closure means they can be fitted at every stage in the installation as easily as an open marker while still offering you the application-based security of a closed marker.

The markers are designed for wire and cable diameters from 1.5 to 7.0 mm, have labelling surfaces up to 30 mm long to give you enough space for extensive character strings which are easily legible and can be printed onto the differently coloured markers using the PrintJet CONNECT printer.

### SlimFix Clip SFC – the benefits to you

- Compact: secure and quick fitting without additional tools
- Informative: large labelling surface for long character strings
- Strong combinations: different colours and sizes
- Individual: can be printed using PrintJet CONNECT



PrintJet CONNECT



The SFC is fitted quickly and simply using its clip closure system – no need for additional tools.



Optimal cross-sectional range in all sizes: SFC-type markers in 5 sizes for wire diameters from 1.5 to 7.0 mm.



### Technical data

Material	Polyamide 66, halogen-free
UL 94 flammability rating	V2
Temperature range	-40 °C to 100 °C

### Ordering data

Colour	International colour code colours, not contained in the range, are available on request.
Special printing	Specify special printing and colours per using the M-Print® PRO software.
Printing	Black or colour
Possible printing systems	PrintJet CONNECT, PrintJet ADVANCED, MCP Plus 2, MCP Basic 2
Minimum order quantity	1 pack = 5 cards

### Selection table

Type	Wire, ext. ø	Wire cross-section
SFC 0	1.5 - 2.5 mm	0.5 - 1.0 mm <sup>2</sup>
SFC 1	2.0 - 3.5 mm	0.75 - 2.5 mm <sup>2</sup>
SFC 2	3.0 - 5.0 mm	2.5 - 4.0 mm <sup>2</sup>
SFC 2.5	4.0 - 6.0 mm	4.0 - 10 mm <sup>2</sup>
SFC 3	3.5 - 7.0 mm	4.0 - 10 mm <sup>2</sup>

SlimFix SFC

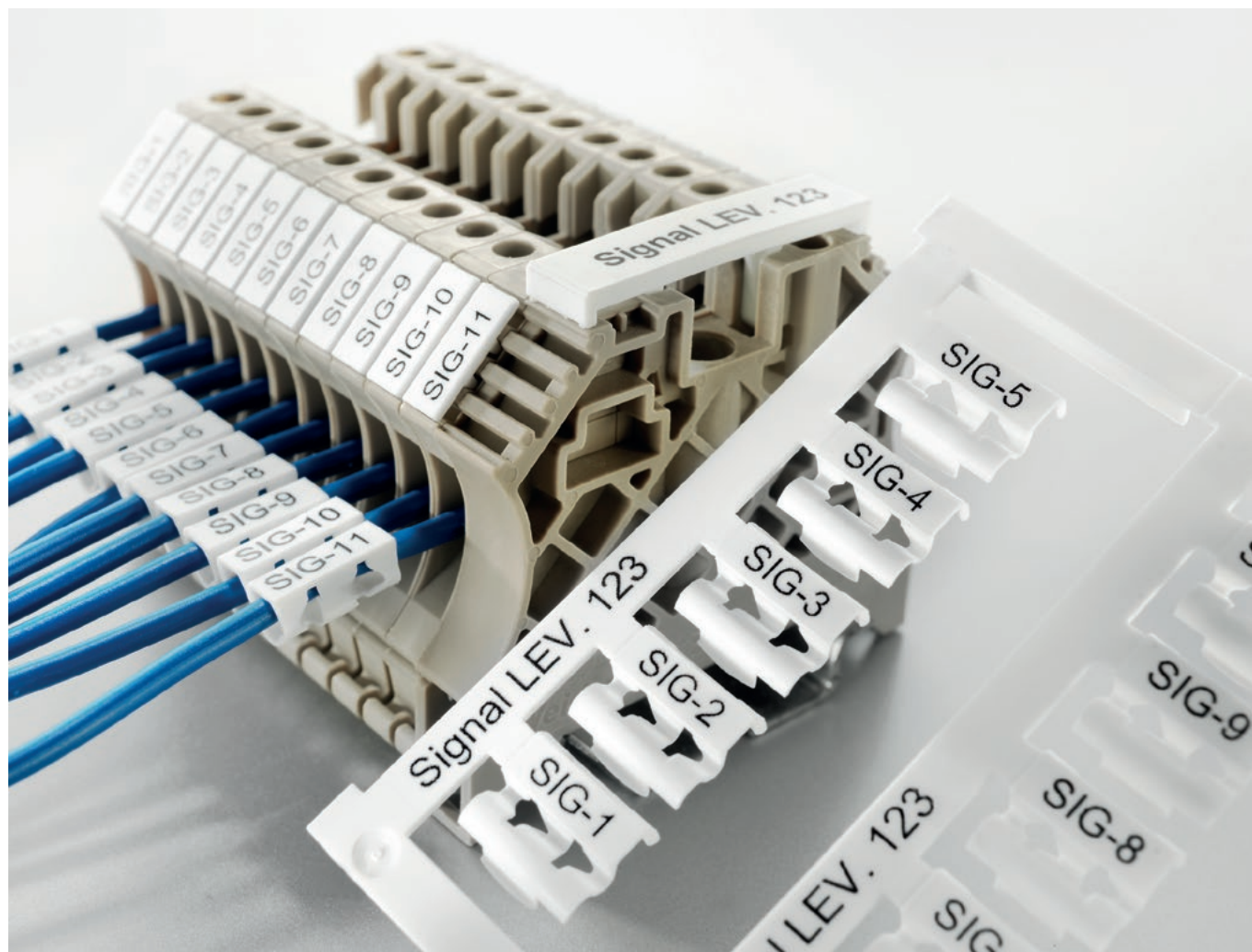
Technical data

Material	Temperature range	Fire class acc. to UL 94	Halogen
Polyamide 66	-40 °C...100 °C	V-2	No

Ordering data

Type	Labelling field	Height	Qty.	white Order No.	yellow Order No.	blue Order No.	red Order No.	CSP Order No.
SFC 0/12	12 x 4.1 mm	12 mm	200	1813130000	1813160000	1813170000	1813150000	1813180000
SFC 0/21	21 x 4.1 mm	21 mm	200	1813190000	1813210000	1813220000	1813200000	1813230000
SFC 0/30	30 x 4.1 mm	30 mm	150	1813240000	1813260000	1813270000	1813250000	1813280000
SFC 1/12	12 x 4.1 mm	12 mm	200	1747320001	1747320004	1747320002	1747320003	1752720000
SFC 1/21	21 x 4.1 mm	21 mm	200	1779080001	1779080004	1779080002	1779080003	1779090000
SFC 1/30	30 x 4.1 mm	30 mm	150	1805760000	1805730000	1805720000	1805740000	1805750000
SFC 2/12	12 x 5.8 mm	12 mm	120	1758320001	1758320004	1758320002	1758320003	1763480000
SFC 2/21	21 x 5.8 mm	21 mm	120	1805810000	1805780000	1805770000	1805790000	1805800000
SFC 2/30	30 x 5.8 mm	30 mm	90	1805870000	1805830000	1805820000	1805850000	1805860000
SFC 2.5/12	12 x 5.8 mm	12 mm	120	1062000000	1062010000	1062030000	1062020000	1062040000
SFC 2.5/21	21 x 5.8 mm	21 mm	120	1062050000	1062070000	1062090000	1062080000	1062110000
SFC 3/12	12 x 5 mm	12 mm	80	1025220000	1025230000	1025250000	1025240000	1025550000
SFC 3/21	21 x 5 mm	21 mm	80	1025260000	1025270000	1025300000	1025290000	1025560000
SFC 3/30	30 x 5 mm	30 mm	60	1025310000	1025320000	1025340000	1025330000	1025570000

**Note** CSP: Please send M-Print PRO file



## Marker tags for sensor cables

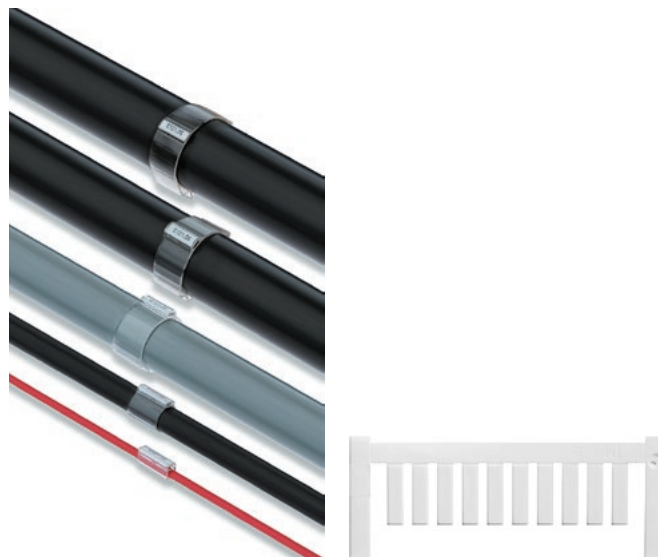
### Sleeves for marking sensor cables

Unique marking and identification of sensor/actuator cables can be achieved with a marker tag. Each cable has a sleeve that accepts a marker tag TM-H 18. Cables open at one end have one sleeve, connecting cables have two marker sleeves. The TM-H 18 is available in various colours.

### Ordering data

Type	Colour	Order No.
<b>Sleeve</b>		
TM 203/18 VO	transparent	1798480000
TM 4/18 HF/HB	transparent	1719850000
<b>Marker</b>		
TM-H 18 NEUTRAL WS	white	1718431044
TM-H 18 NEUTRAL GE	yellow	1718431687
TM-H 18 MC SDR	SDR	1718440000

SDR: Please send M-Print PRO file





# Marker tags for distributors

Marker tags can be affixed to distributors to ensure unique identification. For marking our standard M12 products, ESG 9/20 tags are used. M8 distributors can be labelled with WS 10/5 and DEK 5 markers. For labelling metal distributors, self-adhesive ESG 9/17 must be used.

In the case of the SAI Active family, we differentiate between SAI Active Universal and SAI Active Line. For labelling of Active Universal, we offer ESG 8/13.5/43.3 SAI AU. For labelling of Active Line, the ESG 9/6 is used.

All of these markers are available in MultiCard format and can therefore also be printed using our innovative PrintJet PRO marking solutions.

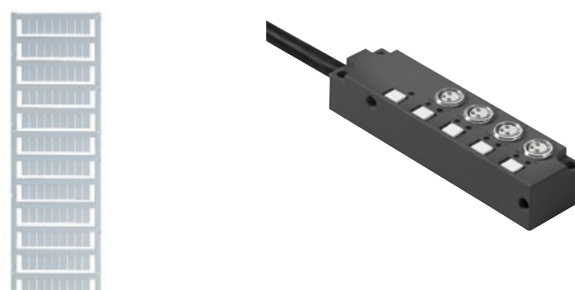
## DEK for marking of M8 distributors



### DEK - Blank

Type	Colour	Width/Length	Qty.	Order No.
MFF 10/6 MC NE WS	white	6 mm/10 mm	600	<b>1856780000</b>

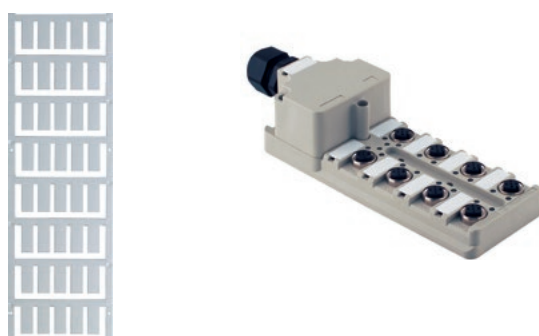
## WS for marking of M8 distributors



### WS - Blank

Type	Colour	Width/Length	Qty.	Order No.
MFF 10/6 MC NE WS	white	6 mm/10 mm	600	<b>1856780000</b>

## ESG for marking of M12 distributors



### Ordering data

Type	Colour	Width/Length	Qty.	Order No.
<b>for SAI Active Line</b>				
ESG 9/20 MC NEUTRAL WS	white	20 mm/9 mm	200	<b>1609940000</b>
ESG 9/20 MC SDR	white	20 mm/9 mm	40	<b>1609950000</b>

SDR: Please send M-Print PRO file

## ESG for marking of M12 Universal distributors



### Ordering data

Type	Colour	Width/Length	Qty.	Order No.
<b>for SAI Active Universal</b>				
ESG 8/13.5/43.3 SAI AU	transparent	13.5 mm/43.3 mm/8 mm	5	<b>1912130000</b>
ESG 8/13.5/43.3 SAI SDR	transparent	13.5 mm/43.3 mm/8 mm	1	<b>1038860000</b>

SDR: Please send M-Print PRO file



# PrintJet CONNECT

## The networked high-performance printer for efficient and high-quality markings

### Your direct connection to the optimal marking process

The PrintJet CONNECT is the consistent further development of our tried-and-tested PrintJet series. Focusing on the modern needs of industry and panel building, it combines maximum process and cost efficiency with intelligent networking and complete data consistency. For example, you can use existing data directly in the marking process – for working more efficiently and with a minimal error rate. The PrintJet CONNECT is part of the Weidmüller marking system consisting of software, markers and printers. It has an extremely durable industrial print head and has been specially optimised for fast working speed and high throughput.

### Your advantages at a glance:

- Perfect printing results every time
- Fast handling of large volumes
- High level of automation thanks to magazine capacity of 50 MultiCards
- Durable and robust markers thanks to thermal fixing
- User-friendly operation thanks to intuitive touch display
- Flexible connection possibilities
- Simple function monitoring on the device



The new 7" touch colour display with a multitude of new functions ensures optimal operation.



Whether LAN, WLAN or USB: the PrintJet CONNECT offers a wide connectivity spectrum.

### Technical data

	Description
Intended use	Printing Weidmüller MultiCards and MetalliCards
Technology	Inkjet procedure with integrated thermal fixing unit
Feed	Automatic magazine for max. 30 MultiCards Individual feed for MetalliCards and MultiCards
Removal	Automatic dispenser magazine for up to 50 MultiCards
Fuses	10 ATH 240/120 V
Application site	Office conditions
Ambient temperature	10 °C – 35 °C 0 °F – 95 °F
Dimensions	Length including output rail: approx. 1.133 mm (44,60") Length not including output rail: approx. 930 mm (36,60") Width: 590 mm (23,20") Height: 454 mm (17,90")
Weight	63 kg with packaging 38 kg without packaging
Ink system	Colour system – black, cyan, magenta, yellow
Included in delivery	<ul style="list-style-type: none"> <li>• PrintJet CONNECT</li> <li>• Mains cable</li> <li>• LAN cable</li> <li>• USB cable</li> <li>• WIFI stick</li> <li>• one MultiCard DEK 5/5</li> <li>• DVD with M-Print® PRO software</li> <li>• Quick start guide</li> <li>• Operating manual</li> <li>• Ink set PJ CON INK SET</li> <li>• 2 PrintJet cleaner cloths</li> </ul>
The ink cartridges are not installed in the printer.	

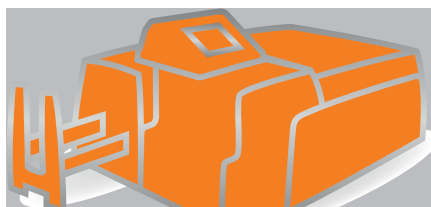


High magazine capacity for loading and dispensing of up to 50 MultiCards.



Ink-jet printer

PrintJet CONNECT



Technical data

EAN	4064675016922
Depth	930 mm
Width	590 mm
Height	454 mm
Net weight	46000 GRM
Printing method	Ink jet technology
Printer driver / Operating system	Windows 7, Windows 8, Windows 8.1, Windows 10, Windows 11
Printing speed	Depends on printing quality
Print resolution, max.	1200 DPI
Marker type	Multicard, MetalliCard
Interface	USB, LAN, Wi-Fi
Fueling system	Ink cartridge, CMYK
Voltage supply	230 V AC / 16 A, 115 V AC / 20 A
Software	M-Print® PRO
<b>Note</b>	

Ordering data

Type	Qty.	Order No.
PRINTJET CONNECT	1	2715590000
<b>Note</b>		

Accessories

PrintJet CONNECT		Type	Qty.	Order No.
	Software	M-PRINT PRO	1	1905490000
	Ink set	PJ CON INK SET	1	2715600000
	Cyan ink	PJ CON INK C	1	2715610000
	Magenta ink	PJ CON INK M	1	2715620000
	Yellow ink	PJ CON INK Y	1	2715630000
	Black ink	PJ CON INK K	1	2715640000
	Fluid set	PJ CON FLUID SET	1	2715650000
	Ink collecting tray	PJ CON WASTE PAD	1	2715660000
	Textile cover	PJ ADV TEXTILE COVER	1	2592960000
	WiFi Stick	PJ CON WIFI STICK	1	2715680000
	PrintJet Cleaning cloth	PRINTJET CLEANER	1	2449710000
	PrintJet Cleaner 25 ml	PRINTJET CLEANER 25ML	1	2912780000
PrintJet ADVANCED		Type	Qty.	Order No.
	Ink collecting tray	PJ ADV TNAW	1	1338710000
	Cyan ink	PJ ADV TNTK INK C	1	1338680000
	Magenta ink	PJ ADV TNTK INK M	1	1338670000
	Yellow ink	PJ ADV TNTK INK Y	1	1338650000
	Black ink	PJ ADV TNTK INK K	1	1338690000
	Ink set	PJ ADV TNTK INK SET	1	1338720000
<b>Note</b>				



# Thermal transfer printer THM MultiMark

## The compact all-rounder



THM MultiMark

### The only printer you will need for your marking tasks

The THM MultiMark is a compact and modularly constructed thermal transfer printer that makes full use of its many advantages and high number of potential uses. The integrated cutting and perforation option enables continuous materials to be cut to any length – making your work considerably easier when it comes to cutting and assigning the respective labels. The printer edits markers and labels from the MultiMark family as well as continuous materials, textile and polyester labels, heat shrink sleeves and PLC labels.

Snap-on terminal markers are printed using a separate print contact pressure roller, which can be changed in just 30 seconds.

Another plus: the device is very easy to operate thanks to an intuitive touch display and clear status indicators – in 22 languages. The compact design and low weight of 3.5 kg also ensures that the THM MultiMark really can be used anywhere, e.g. as a mobile printer for your on-site jobs.



All-rounder THM MultiMark: the printer handles marking jobs that would otherwise need to be done by several different devices.

### Technical data

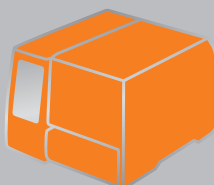
	Description
Intended use	Printing Weidmüller MultiMark, DEK, WS and MF strip marker, shrink tubes, label on rolls
Technology	Thermal transfer
Feed	Manuall mounting
Application site	Office conditions
Ambient temperature	5 °C to 40 °C
Included in delivery	<ul style="list-style-type: none"> <li>• THM MultiMark</li> <li>• Power cable (Typ E+F/ UK/ USA)</li> <li>• Ink ribbon RIBBON MM-TB 25/360 SW</li> <li>• Ink ribbon RIBBON MM 110/360 SW</li> <li>• Cardboard core</li> <li>• Pressure roller THM MMP ROLLER TB</li> <li>• Pressure roller THM MMP ROLLER 115</li> <li>• USB cable</li> <li>• Operating manual</li> <li>• DVD with M-Print® PRO software</li> </ul>

### Your benefits with THM MultiMark

- A printer for all jobs
- Ideal for small and medium print volumes
- Virtually maintenance-free thanks to thermal transfer technology
- Excellent readability (resolution: 300 dpi)
- Flexibility provided by modular perforation and cutting unit
- The contact pressure roller can be changed in 30 seconds
- High output, from 250 Dekafix markers/min.

Thermal transfer printer

THM MultiMark



Technical data

EAN	4050118626377
Depth	253 mm
Width	253 mm
Height	320 mm
Net weight	5800 GRM
Printing method	Thermotransfer
Printing speed	max. 150 mm/s
Marker type	MultiMark, Shrink-fit sleeves, Label reel
Interface	USB 2.0, Ethernet
Voltage supply	100...240 V AC
Software	M-Print® PRO
<b>Note</b>	

Ordering data

Type	Qty.	Order No.
THM MULTIMARK	1	2599430000
<b>Note</b>		

Accessories

Cutting blade		Type	Qty.	Order No.
		THM MMP CUTTER	1	1331600000
		THM MMP PERFORATOR	1	1416330000
Printer ribbons		Type	Qty.	Order No.
Terminal block markers		RIBBON MM-TB 25/360 SW	1	2005090000
Label, wide, black		RIBBON MM 110/360 SW	1	2005070000
Label, narrow, black		RIBBON MM 76/360 SW	1	2005080000
Label, narrow, white		RIBBON MM 84/300 WS	1	2005040000
Shrink sleeve, endless		RIBBON HSS HF EL 40/300	1	1426210000
Shrink sleeve, assembled		RIBBON MM-HS 60/300 SW	1	2448880000
Printer roller		Type	Qty.	Order No.
Weidmüller DEK, WS		THM MMP ROLLER TB	1	2438500000
MultiFit Phoenix		THM MMP ROLLER MF	1	2518600000
MultiFit Wago		THM MMP ROLLER MF-W	1	2519150000
Labels, shrink sleeves		THM MMP ROLLER 115	1	1357420000
Weidmüller SFM3		THM MMP ROLLER SFM 3	1	2719270000
Miscellaneous accessories		Type	Qty.	Order No.
	Reel holder	THM MMP EXT.RH	1	1302920000
	Case	THM MMP CASE	1	2457760000
<b>Note</b>				





# Service and support

---

<b>Service and support</b>	Service connects - worldwide	V.2
	Engineering services and customised products	V.3
	easyConnect - Your Industrial Service Platform	V.4
	Support Center	V.6
	Additional support services	V.7
	Weidmüller Configurator: intuitive, uncomplicated & fast digital engineering	V.8
	Your digital ordering options at Weidmüller	V.10

---

# Our expertise for your requirements

## Service connects – worldwide



Automation technology functions are becoming more complex in a globally-oriented world facing ambitious targets in terms of energy efficiency and smart production. We are your equal partners for the best connections in Industrial Connectivity.

Our personal support answers all questions reliably and expertly. During planning, installation or operation our service and support offer is your best companion.

In short: Weidmüller's global service combines our expertise with your requirements.

V



**Your way to our service**  
[www.weidmueller.com/service](http://www.weidmueller.com/service)

# Engineering services and customised products

Automation engineering and connectivity consulting belongs to our services as well as assembly of engineered products. We also support the process from the idea to the product with our Weidmüller Configurator and the Configure-to-Order process.



## Consulting and engineering

The challenge for you is reducing costs and increasing efficiency. This requires intelligent, individual solutions. Whether it is modified products, pre-fitted mounting rails or complete small cabinets – our application centres provide a highly qualified custom-made engineering and production service.



## Connectivity Consulting

Increase your competitiveness - supported by our experts. Our drive is to optimise your competitiveness. That's why our team of experts supports you in significantly increasing your efficiency in electrical machine design and control cabinet construction. With proven products and services from the Weidmüller portfolio – and with the experience gained from over 300 projects worldwide.



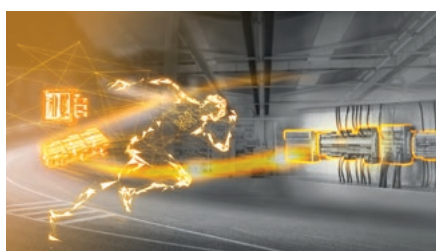
## Assembled terminal rails - Flexibly designed to suit your requirements

Your processes in panel building have to be fast, flexible and productive. This is the only way you can cut your costs and increase efficiency. Depending on the application in question, you will have different requirements with respect to the engineering service, delivery speed and flexibility to be provided.



## Modified and assembled enclosures - Competitive advantages included

To compete internationally, your plants need to satisfy high standards of safety, quality and performance. The smart combination of consultation, application expertise and industry know-how is our key to finding a custom-fit solution for your application. Reduce costs and increase efficiency.



## Fast Delivery Service - Your ideas deserve a quick realisation

Obtain offers 24/7 and within minutes, including directly orderable article numbers with our Fast Delivery Service. The Weidmüller Configurator (WMC) for planning and configuration is key for consistent processes. Dispatch your orders in 5 days. Assemble individual terminal strips and enclosures from batch size 1!



# Your ticket to the world of digital service

## easyConnect – Your Industrial Service Platform



Our cloud-based platform is your ticket to the world of digital services from Weidmüller, and the intuitive and future-proof tool for your way to the Industrial IoT. Realise your use cases easily, consistently and without any relevant prior knowledge, thanks to the perfect interaction of platform, devices and diverse software services.

As an open, modular and perfectly integrable system, the platform is your enabler for a wide range of use cases. Increase your efficiency and unleash your full innovation potential with easyConnect.

V



### Interested in using easyConnect?

Learn how to get started with easyConnect step-by-step.

[www.weidmueller.com/easyconnect](http://www.weidmueller.com/easyconnect)



## Why should you use easyConnect?

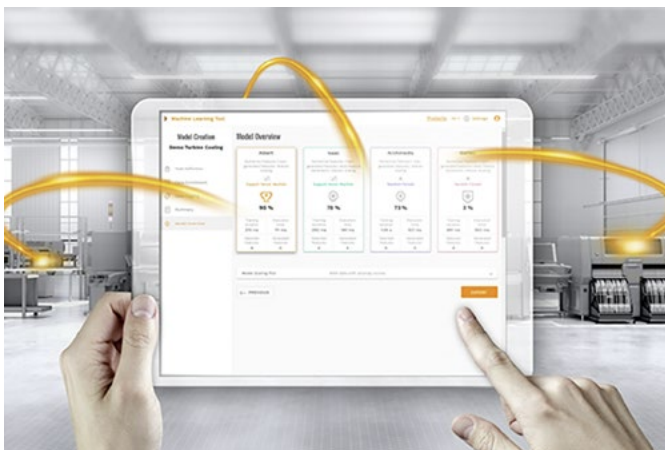
- You want to enter your digital transformation step-by-step?
- You want to make the step into Industrial IOT, but have no or little IT expertise?
- You want to use your digital data for smart & scalable services?
- You want to offer digital services (such as customised dashboard) to your customers?
- You want to improve your service offering and efficiency, e.g. through remote access?
- You feel Weidmüller's digital services are interesting, but you have „your cloud“ already?



Weidmüller comes up with the solution: easyConnect, the new digitalisation platform. It bundles Weidmüller's digital services at one place in the cloud and connects them with various Weidmüller devices.

With easyConnect you start digitalising your application step-by-step without ballast in a secure way.

## The following services are initially available on easyConnect:



### Device management

Adding and managing cloud-connected devices is typically the first step in any Industrial IoT use case.

### Asset management

The asset management service is a modelling tool that allows users to model their assets and processes and link them to relevant time series data.

### Remote access (u-link)

u-link guarantees a quick and secure access to machines and plants while also allowing for efficient management.

### Data visualisation

easyConnect data visualisation services enable users to view, monitor and display live and historical data.

### AutoML

With Weidmüller Industrial AutoML, you can optimize operations, increase product quality and develop new business models by benefiting from advanced analytics.

## Expand the possibilities of our products

Our Support Center provides you with comprehensive, clear and personal assistance



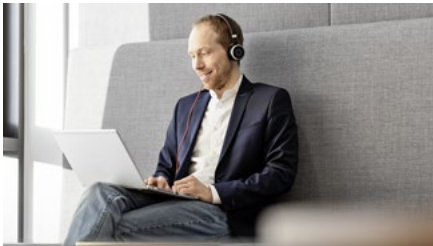
Receive fast and intuitive support to get the most out of our products in your application. In our new Support Center you can search or navigate to the many application notes, product information, video tutorials or software downloads of our products.

- **Everything at a glance** – One central support hub, where all relevant information is available
- **Powerful search** – Provides filter functions for various types of information and products
- **Different views and navigations** – Content provided in views product information, engineering support or software downloads
- **More than 170,000 downloads** – Application notes, video tutorials, templates and examples, user documentation, engineering data, ...
- **Personal contact** – Direct access to your personal technical contact in your country



Explore the world of our new Support Center  
[support.weidmueller.com](https://support.weidmueller.com)

## Additional support services



### Training and Webinars

Stay tuned in a world that is accelerating. In our entertaining interactive webinars, we offer you the opportunity to learn about new products and technology topics and to interact with our experts.



### Repairs and replacement parts

We offer repair and components for our Workplace Solutions as well as assistance for other Weidmüller products. Find out how our experts can help you with your repair request.



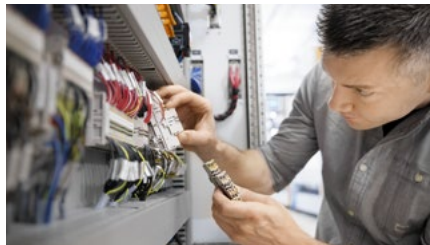
### Security advisory board

Our Product Security Incident Response Team (PSIRT) continuously informs you about possible security-related vulnerabilities of our products.



### Engineering data

For the quick integration of our products into your design, there are a lot of digital product data for engineering systems like EPLAN, Zuken E3.series, WSCAD and many others available for download.



### Product change notifications

Technical modifications of our products always available online.



### Technical product catalogues

Technical data for our entire program in Industrial Connectivity for download in PDF-format.

## From the idea to the finished solution

# Weidmüller Configurator: intuitive, uncomplicated & fast digital engineering

Digital engineering can be so easy – with the Weidmüller Configurator!

It's a **free to use** software application to easily configure industrial solutions. It features more than **12,000 articles** from multiple product families including rail-mounted components, industrial and ex-certified enclosures, Heavy Duty Connectors, remote I/O-systems and PCB connectors.

Unleash the full power of digital engineering:

Our application wizards help you choose the right articles.

Place, mark or modify them to your needs and get your solution **visualized in 3D** – what you see is what you get!

Our promise: Speed up your solution planning process by up to 70%!

### Your benefits:

- **Proven configuration designs in real 3D:** The plausibility and collision check with the complete digital documentation ensures that you can rely 100% on your configuration.
- **Seamless E-CAD Roundtrip:** Interfaces enable the simple exchange of product data between the WMC and all common engineering tools, such as Zuken E3 or EPLAN Electric P8.
- **Sample Service & Fast Delivery Service:** to support your design-in process, we offer a **3-day sample service** for many products. Inquire them directly online – for free!  
You want your solution right away? Our **Fast Delivery Service** guarantees delivery of individually assembled terminal strips or enclosures within a few days.

### Get started online now!

The Weidmüller Configurator makes solution planning easy. Visit our website for more information, tutorials and download it for free:

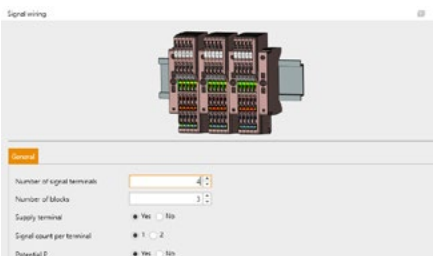


[www.weidmueller.com/wmc](http://www.weidmueller.com/wmc)



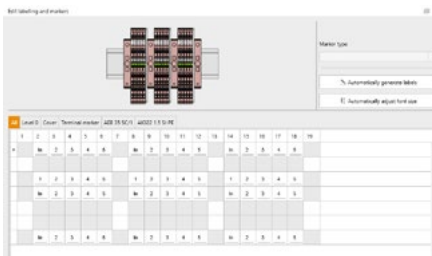
or register on [easyconnect.weidmueller.com](http://easyconnect.weidmueller.com) and use it online.





**Wizards:**

Design complete applications within few clicks – even without detailed product knowledge – for signal wiring, load monitoring, instrument transformers, enclosures, remote I/O-systems and many more.



**Assistants:**

Finalize your solutions with supporting assistants to add cross-connectors, markers or colors and verify the faultlessness. Automatic modes save valuable time!



**1-click documentation:**

Get assembly drawings for production – only 1 click. Bill of material – only 1 click. The complete solution documentation including all component data sheets – you’re right, only 1 click!



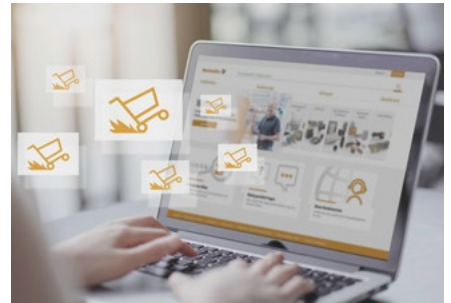
# Digital ordering options

## Your digital ordering options at Weidmüller

Find and easily select the products you need, with convenient ordering: as your Partner in Industrial Connectivity, we know what counts in purchasing. That is why we offer you a variety of options for ordering products from us and optimising your purchasing processes to meet your individual requirements and your workflow. The choice is yours.

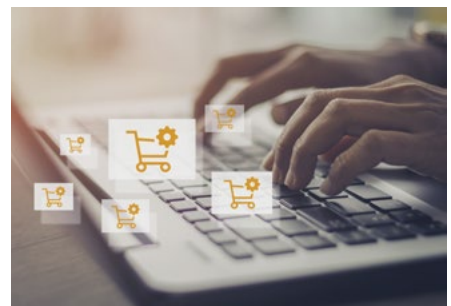
### Order via the Weidmüller eShop

Our eShop offers you access to the complete Weidmüller product range around the clock – directly from a PC, tablet, or smartphone. The intuitive user guidance supports you as you select from over 50,000 products. Technical data, prices, and availabilities are available at any time. The shopping basket with check out function lets you place an order in seconds. Convenient additional functions like CSV upload, order history, reports, or custom order templates make your ordering processes even more efficient.



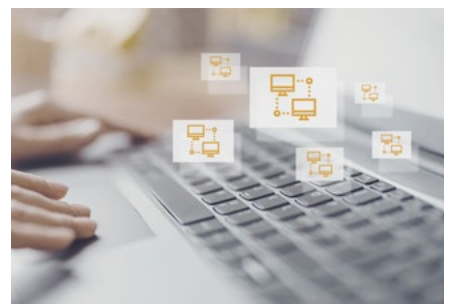
### Order via the OCI interface

The Open Catalogue Interface (OCI) facilitates the exchange of data between your enterprise resource planning system and our eShop. This means that our eShop is integrated into your system via an OCI interface, so you have access to our complete product catalogue from your enterprise resource planning system. You can filter and select products, place them in your shopping basket and place direct orders without changing your software application. The open OCI standard is supported worldwide from a variety of software providers.



### Order via the EDI interface

Our Electronic Data Interchange (EDI) also offers you the option of ordering our products directly from your enterprise resource planning system. All order data is transmitted automatically to our system and processed immediately. Orders, order confirmations, invoices, and delivery notices are transmitted lightning fast. This helps you make your purchasing processes even more efficient.



We will be glad to advise you on which solutions are suitable for you and how implementation is possible.

**Get in touch with us**

[www.weidmueller.com/digital-order](http://www.weidmueller.com/digital-order)

# Technical appendix

<b>Technical appendix</b>	Sensor Actuator Interface Passive - Overview	W.2
	Coding systems	W.4
	Sensor Actuator Interface Passive - Connection plan	W.10
	Cable overview	W.12
	Drilling templates	W.14
	Resistance Charts	W.18

# Sensor Actuator Interface Passive – Overview



## Technical data

Material data		M8	M12
Insulating material	- Housing	PBT (UL 94 V0)	PBT (UL 94 V0)
	- Contact carrier	PBT (UL 94 V0)	PBT (UL 94 V0)
Base material	- Contact	CuSn6	CuSn6
	- Screw socket	CuZn, nickel-plated	CuZn, nickel-plated
Temperature range		-20...+90	-20...+90
Colour	- Housing	grey, RAL 7032	grey, RAL 7032
	- PG & contact carrier	black	black
Cable sheathing		PUR	PUR
Cable type		halogen-free	halogen-free, UL
O-ring		Viton	Viton
Housing seal			foamed PUR
Type of connection, hood version		screw/tension clamp	screw/tension clamp
Clamping range	mm <sup>2</sup>	0.08...1.0	0.08...1.5
AWG No.		28...18	22...14
Stripping length, hood version	mm	100	100
Stripping length, screw version	mm	-	7
Stripping length, tension clamp version	mm	7	10
Contact surface		tin	tin
	- BL3.5 / B2L		
Contact base material		Cu alloy	Cu alloy
	- BL3.5 / B2L		
Torques			
- Hoods	Nm	0.8	0.8
- Blanking plugs	Nm	0.5	0.5
Mechanical data			
Ingress Protection Class*	IP	68 (M16/M23 IP 67)	68
Suitability for cable carrier	cycles at 15d	1 Mio. 15d	2 Mio. 10d
IDC connection			
Max. connect. frequency of a cable with same cross-section			-
Stripping length	mm		
Conductor cross-section (flexible)	mm <sup>2</sup>		
Smallest strand diameter	mm		
Conductor insulation material			
Conductor outside diameter	mm		
Cable outside diameter	mm		
Pin assignment			
Electrical data to VDE 110 (Apr 97)			
Operating voltage	V-	10 ... 30	10 ... 30
Max. current carrying capacity per I/O signal	A	2 (Derating)	2 (Derating)
- total with single supply	A	8	10 (9 A for F-version)
- total with dual supply	A	-	2 x 8 = 16
Rated voltage	V <sub>eff</sub>	32	32
Test voltage	kV <sub>eff</sub>	1.0	1.0
Pollution severity		3	3
Insulation resistance	Ω	> 10 <sup>9</sup>	> 10 <sup>9</sup>
Other data			
Dimensions	see chapter G		
Fixing holes	see chapter G		
Function indicators			
- for operating voltage		1 x LED, green	2 x LED, green
- for I/O function		1 x LED, yellow (per function)	1 x LED, yellow (per function)
Current isolation (SAI...-M)		-	via 2 jumper plugs
Cable strain relief (SAI...-M)		M20	M20
Max. cable diameter (SAI...-M)	mm	10-14	6-12

\* only when plugged in and secured





# Contact assignment

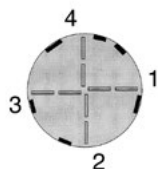
## SAI-M/SAI-F - IDC

### 3-pole:



Pole	Colour code	Assignment
1	brown	+ 24 V DC
2	white	input/output
3	blue	0 V DC

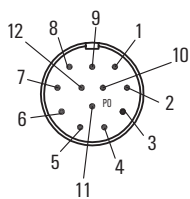
### 4-pole:



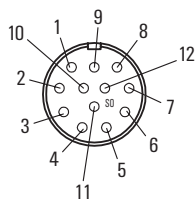
Pole	Colour code	Assignment
1	brown	+ 24 V DC
2	no colour	input/output 2
3	blue	0 V DC
4	black	input/output 1

## M23

### 12-pole:



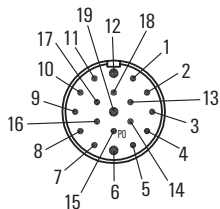
Male



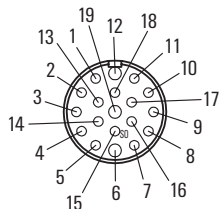
Female

Pole	Colour code	Plug-in station	Contact M12
1	white	1	4
2	green	2	4
3	yellow	3	4
4	grey	4	4
5	pink	5	4
6	red	6	4
7	black	7	4
8	violet	8	4
9	blue (-)	1- 8	3
10	blue (-)	1- 8	3
11	brown (+)	1- 8	1
12	green-yellow (PE)	1- 8	5

### 19-pole:



Male



Female

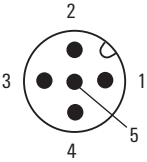
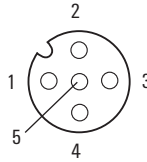
Pole	Colour code	Plug-in station	Contact M12
1	violet	8	4
2	red	6	4
3	grey	4	4
4	red/blue	2	2
5	green	2	4
7	grey/pink	1	2
8	white/green	3	2
9	white/yellow	5	2
10	white/grey	7	2
11	black	7	4
13	yellow/brown	6	2
14	brown/green	4	2
15	white	1	4
16	yellow	3	4
17	pink	5	4
18	grey/brown	8	2
6	blue (-)	1- 8	3
12	green-yellow (PE)	1- 8	5
19	brown (+)	1- 8	1

## Coding systems for round connectors

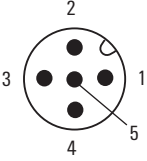
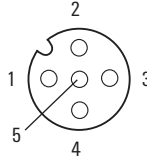
Round connectors are used for wiring sensors, actuators and data cables. To prevent wiring errors, there are different coding systems: for M12, the plug-in connectors are coded A, B and D. The M12 A-coded plug-in connector is available with 3 to 5 pins, 8 and 12 pins. There is no coding for M8 and M5.

The arrangement of the pins in the M8 plug-in connector (asymmetrical) rules out the possibility of 3- and 4-pole M8 plug-in connectors being connected together. In the case of M5 plug-in connectors, 3- and 4-pole plug-in connectors can be connected together since the pins are symmetrically arranged.

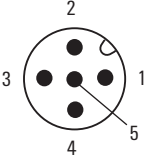
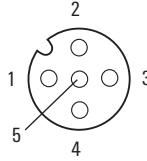
### A-coded, M12, Sensor wiring

2- to 5-pole:		Pole	Colour code	Assignment
 <p>Male</p>	 <p>Female</p>	1	brown	+ 24 V DC
		2	white	input/output 2*
		3	blue	0 V DC
		4	black	input/output 1
		5	grey	FE
		Housing		shield**
			*) = only 5-pole version	**) = only with shielded version

### A-coded, M12, PROFIBUS-PA

2- to 5-pole:		Pole	Colour code	Assignment
 <p>Male</p>	 <p>Female</p>	1	red	DATA-B
		3	green	DATA-A
		Housing		shield

### A-coded, M12, CANopen/DeviceNet™

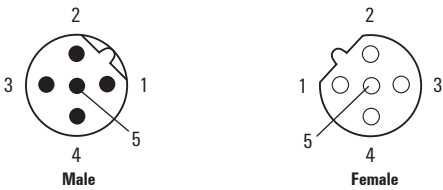
2- to 5-pole:		Pole	Colour code	Assignment
 <p>Male</p>	 <p>Female</p>	1		shield (drain wire)
		2	red	V+
		3	black	V- (CAN_GND)
		4	white	CAN_H signal
		5	blue	CAN_L signal
		Housing		shield

Coding systems



**B-coded, M12, PROFIBUS-DP**

3- to 5-pole:



Pin	Colour code	Assignment
2	green	Data A
4	red	Data B
Housing		shield

**D-coded, M12, Industrial Ethernet**

*Industrial Ethernet*

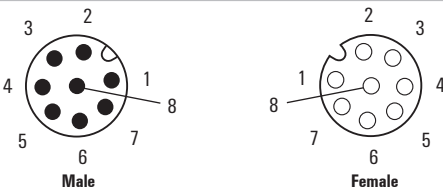
4-pole:



Pin	Colour code	Assignment
1	yellow	TD+ (transmit data +)
2	white	RD+ (receive data +)
3	orange	TD - (transmit data -)
4	blue	RD - (receive data -)
Housing		shield

**M12**

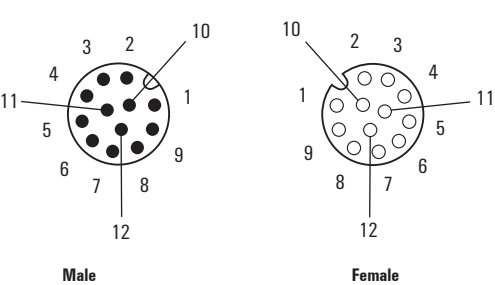
8-pole:



Pole	Colour code	Assignment
1	white	signal
2	brown	signal
3	green	signal
4	yellow	signal
5	grey	+ 24 V DC
6	pink	signal
7	blue	0 V DC
8	red	signal

**M12**

12-pole:



Pole	Colour code	Assignment
1	brown	+ 24 V DC
2	blue	0 V DC
3	white	signal
4	green	signal
5	pink	signal
6	yellow	signal
7	black	signal
8	grey	signal
9	red	signal
10	violet	signal
11	grey/pink	signal
12	red/blue	signal

**K-coded, M12**

5-pole:		Pin	Colour code	Assignment
<p>Male</p>	<p>Female</p>	1	black 1	
		2	black 2	
		3	black 3	
		4	black 4	
		5	green/yellow	

**L-coded, M12**

5-pole:		Pin	Colour code	Assignment
<p>Male</p>	<p>Female</p>	1	brown	
		2	white	
		3	blue	
		4	black	
		5	pink	

**S-coded, M12**

3-pole:		Pole	Colour code	Assignment
<p>Male</p>	<p>Female</p>	1	brown	
		2	green/yellow	
		3	blue	

**S-coded, M12**

4-pole:		Pole	Colour code	Assignment
<p>Male</p>	<p>Female</p>	1	brown	
		2	black	
		3	grey	
		4	green/yellow	

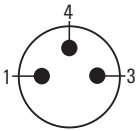
**T-coded, M12**

4-pole:		Pin	Colour code	Assignment
<p>Male</p>	<p>Female</p>	1	brown	
		2	white	
		3	blue	
		4	black	

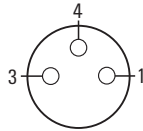
Coding systems

M8 connector position

3-pole:



Male

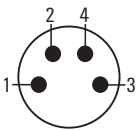


Female

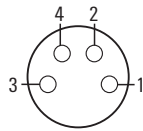
Pin	Colour code	Assignment
1	brown	+ 24 V DC
3	blue	0 V DC
4	black	input/output 1

M8 connector position

4-pole:



Male

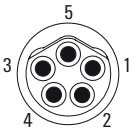


Female

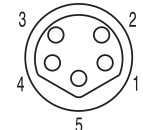
Pin	Colour code	Assignment
1	brown	+ 24 V DC
2	white	input/output 2
3	blue	0 V DC
4	black	input/output 1

M8

5-pole:



Male

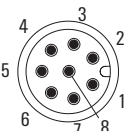


Female

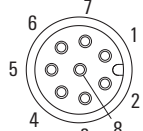
Pin	Colour code	Assignment
1		
2		
3		
4		
5		

M8

8-pole:



Male

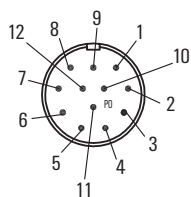


Female

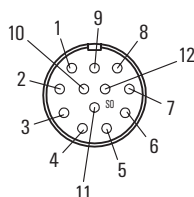
Pin	Colour code	Assignment
1		
2		
3		
4		
5		
6		
7		
8		

**M23**

**12-pole:**



Male

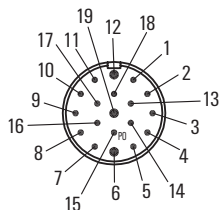


Female

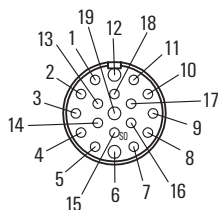
Pole	Colour code	Assignment	Cross-section
1	white	signal	0.34
2	green	signal	0.34
3	yellow	signal	0.34
4	grey	signal	0.34
5	pink	signal	0.34
6	red	signal	0.34
7	black	signal	0.34
8	violet	signal	0.34
9	nc	nc	nc
10	blue	0 V DC	0.75
11	brown	+ 24 V DC	0.75
12	green/yellow	PE	0.75

**M23**

**19-pole:**



Male



Female

Pole	Colour code	Assignment	Cross-section
1	violet	signal	0.34
2	red	signal	0.34
3	grey	signal	0.34
4	red/blue	signal	0.34
5	green	signal	0.34
6	blue	0 V DC	0.75
7	grey/pink	signal	0.34
8	white/green	signal	0.34
9	white/yellow	signal	0.34
10	white/grey	signal	0.34
11	black	signal	0.34
12	green/yellow	PE	0.75
13	yellow/brown	signal	0.34
14	brown/green	signal	0.34
15	white	signal	0.34
16	yellow	signal	0.34
17	pink	signal	0.34
18	grey/brown	signal	0.34
19	brown	+ 24 V DC	0.75

# Sensor Actuator Interface Passive – Connection plan

## Connection plan

Terminal Connection No.	Connector position	M5/M8-contact		M12-contact	IDC-contact		Potential	Conductor colour	
		3-pole	4-pole		3-pole	4-pole		Conductor colour	Colour code
1	= 1	4	4	4	2	4	E/A 1-1	white	WH
2	= 2	4	4	4	2	4	E/A 2-1	green	GN
3	= 3	4	4	4	2	4	E/A 3-1	yellow	YE
4	= 4	4	4	4	2	4	E/A 4-1	grey	GY
5	= 5	4	4	4	2	4	E/A 5-1	pink	PK
6	= 6	4	4	4	2	4	E/A 6-1	red	RD
7	= 7	4	4	4	2	4	E/A 7-1	black	BK
8	= 8	4	4	4	2	4	E/A 8-1	violet	VT
9	= 1	-	2	2*		2	E/A 1-2	grey/pink	GYPK
10	= 2	-	2	2*		2	E/A 2-2	red/blue	RDBL
11	= 3	-	2	2*		2	E/A 3-2	white/green	WHGN
12	= 4	-	2	2*		2	E/A 4-2	brown/green	BNGN
13	= 5	-	2	2*		2	E/A 5-2	white/yellow	WHYE
14	= 6	-	2	2*		2	E/A 6-2	yellow/brown	YEBN
15	= 7	-	2	2*		2	E/A 7-2	white/grey	WHGY
16	= 8	-	2	2*		2	E/A 8-2	grey/brown	GYBN
17	= 1, 3, 5, 7	1	1	1	1	1	U1 + (24 V DC)	brown	BN
18	= 1, 3, 5, 7	3	3	3	3	3	U1 - (0 V)	blue	BU
19	= 2, 4, 6, 8	-	-	1	1	1	U2 + (24 V DC)	red*	RD*
20	= 2, 4, 6, 8	-	-	3	3	3	U2 - (0 V)	black*	BK*
21	= 1, 2, 3, 4, 5, 6, 7, 8	-	-	5	-	-	PE	green/yellow	GNYE

\* Contact used in 5-pole version only

### Plug insert, hood version

**Note:**

SAI distributors with fixed cable have a single supply conductor as standard. The voltage U1 is supplied to all the sockets. An SAI distributor with fixed cable but with separate supply voltage is available on request.

### Pin assignment



### Tension clamp connection



### Screw connection







# Cable overview

Cables	Identification in article designation	Cable gland	Wire number / cross-section	Colour	Colour coding	Suitable for torsion	Wire core insulation
<b>M8 unshielded</b>							
PVC	V	M8	3x0.25 mm <sup>2</sup>	black	BR,BL,SW	No	PVC
	V	M8	4x0.25 mm <sup>2</sup>	black	BR,WS,BL,SW	No	PVC
PUR halogen-free	U	M8	3x0.25 mm <sup>2</sup>	black	BR,BL,SW	No	PP
	U	M8	4x0.25 mm <sup>2</sup>	black	BR,WS,BL,SW	No	PP
PUR halogen-free yellow	UGE	M8	3x0.25 mm <sup>2</sup>	yellow	BR,BL,SW	No	PP
	UGE	M8	4x0.25 mm <sup>2</sup>	yellow	BR,WS,BL,SW	No	PP
PUR resistant to welding beads	T	M8	3x0.34 mm <sup>2</sup>	black	BR,BL,SW	Yes	TPE
	T	M8	4x0.34 mm <sup>2</sup>	black	BR,WS,BL,SW	Yes	TPE
<b>M8 shielded</b>							
PUR halogen-free	U	M8	3x0.34 mm <sup>2</sup>	black	BR,BL,SW	No	PP
	U	M8	4x0.34 mm <sup>2</sup>	black	BR,WS,BL,SW	No	PP
<b>M12 unshielded</b>							
PVC	V	M12	3x0.34 mm <sup>2</sup>	black	BR,BL,SW	No	PVC
	V	M12	4x0.34 mm <sup>2</sup>	black	BR,WS,BL,SW	No	PVC
	V	M12	5x0.34 mm <sup>2</sup>	black	BR,WS,BL,SW,GR	No	PVC
PUR halogen-free	U	M12	3x0.34 mm <sup>2</sup>	black	BR,BL,SW	No	PP
	U	M12	4x0.34 mm <sup>2</sup>	black	BR,WS,BL,SW	No	PP
	U	M12	5x0.34 mm <sup>2</sup>	black	BR,WS,BL,SW,GR	No	PP
	U	M12	8x0.25 mm <sup>2</sup>	black	BR,WS,BL,GR,GN,GE,RS,RT	No	PP
PUR halogen-free yellow	UGE	M12	3x0.34 mm <sup>2</sup>	yellow	BR,BL,SW	No	PP
	UGE	M12	4x0.34 mm <sup>2</sup>	yellow	BR,WS,BL,SW	No	PP
	UGE	M12	5x0.34 mm <sup>2</sup>	yellow	BR,WS,BL,SW,GR	No	PP
PUR resistant to welding beads	T	M12	3x0.34 mm <sup>2</sup>	black	BR,BL,SW	Yes	TPE
	T	M12	4x0.34 mm <sup>2</sup>	black	BR,WS,BL,SW	Yes	TPE
	T	M12	5x0.34 mm <sup>2</sup>	black	BR,WS,BL,SW,GR	Yes	TPE
<b>M12 shielded</b>							
PUR halogen-free	U	M12	3x0.34 mm <sup>2</sup>	black	BR,BL,SW	No	PP
	U	M12	4x0.34 mm <sup>2</sup>	black	BR,WS,BL,SW	No	PP
	U	M12	5x0.34 mm <sup>2</sup>	black	BR,WS,BL,SW,GR	No	PP
	U	M12	8x0.25 mm <sup>2</sup>	black	BR,WS,BL,GR,GN,GE,RS,RT	No	PP
<b>Cables for the automotive industry</b>							
PUR resistant to welding beads	TOV	M8/M12	3x0.34 mm <sup>2</sup>	orange	BR,BL,SW	Yes	TPE
PUR resistant to welding beads	TOV	M8/M12	4x0.34 mm <sup>2</sup>	orange	BR,WS,BL,SW	Yes	TPE
PUR resistant to welding beads	TOV	M8/M12	5x0.34 mm <sup>2</sup>	orange	BR,WS,BL,SW,GR	Yes	TPE
PUR resistant to welding beads	TYV	M8/M12	5x0.34 mm <sup>2</sup>	yellow	BR,WS,BL,SW,GR	Yes	TPE
<b>Data cables</b>							
TYPE A	C5AS4VG	M12	4xAWG 22	green	WS,BL,OR,GE	No	PE
TYPE B	C5DS4VG	M12	4xAWG 22	green	WS,BL,OR,GE	No	PE
TYPE C	C5DD4UG	M12/RJ45	4xAWG 22	green	WS,BL,OR,GE	No	PE
<b>EtherCat</b>							
PUR halogen-free	UIE	M8/M12	4x0.15 mm <sup>2</sup>	green	BL,OR,WSBL,WSOR	No	PP
<b>PROFIBUS DP</b>							
PUR halogen-free	D	M12	2xAWG24	violet	RT, GN	No	PE
<b>PROFIBUS PA</b>							
PVC	M	M12	2x1.0 mm <sup>2</sup>	black	RT, GN	No	PE
PVC	M	M12	2x1.0 mm <sup>2</sup>	blue	RT, GN	No	PE
<b>CANDeviceNet</b>							
PUR halogen-free	A	M12	2x0.25 mm <sup>2</sup> + 2x0.38 mm <sup>2</sup>	black	WS,BL (0.25 mm <sup>2</sup> ), RT,SW (0.38 mm <sup>2</sup> )	No	PE
PVC	B	M12	2x0.25 mm <sup>2</sup> + 2x0.38 mm <sup>2</sup>	black	WS,BL (0.25 mm <sup>2</sup> ), RT,SW (0.38 mm <sup>2</sup> )	No	PE
<b>Note</b> Additional technical data available upon request							

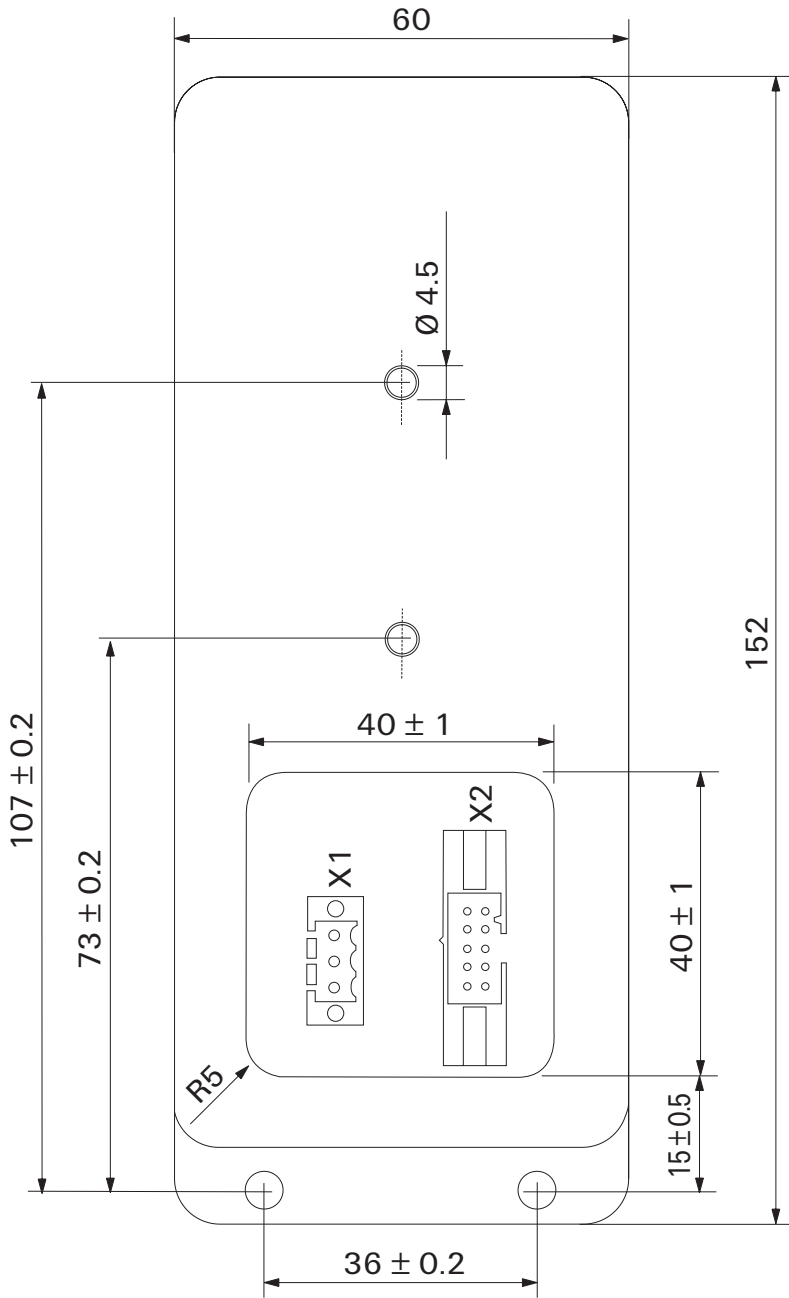
	Outer cladding	Suitable for dragline cable carriers	Bending radius in cable $\varnothing$		Temperature range in °C		External- $\varnothing$ in mm	Halogen-free	UL
			Rigid	Moving	Rigid	Moving			
	PVC	No	5x	10x	-30 / +80	-5 / +80	approx 4.5	No	Yes
	PVC	No	5x	10x	-30 / +80	-5 / +80	approx 4.8	No	Yes
	PUR	Yes	5x	10x	-50 / +80	-25 / +80	approx 4.1	Yes	Yes
	PUR	Yes	5x	10x	-50 / +80	-25 / +80	approx 4.4	Yes	Yes
	PUR	Yes	5x	10x	-50 / +80	-25 / +80	approx 4.1	Yes	Yes
	PUR	Yes	5x	10x	-50 / +80	-25 / +80	approx 4.4	Yes	Yes
	PUR	Yes	4x	7.5x	-40 / +105	-30 / +105	approx 4.9	Yes	Yes
	PUR	Yes	4x	7.5x	-40 / +105	-30 / +105	approx 4.9	Yes	Yes
	PUR	Yes	5x	12x	-40 / +90	-30 / +90	approx 4.8	Yes	Yes
	PUR	Yes	5x	12x	-40 / +90	-30 / +90	approx 5.1	Yes	Yes
	PVC	nein	5x	10x	-30 / +80	-5 / +80	approx 4.9	No	Yes
	PVC	nein	5x	10x	-30 / +80	-5 / +80	approx 5.3	No	Yes
	PVC	nein	5x	10x	-30 / +80	-5 / +80	approx 5.7	No	Yes
	PUR	Yes	5x	10x	-50 / +80	-25 / +80	approx 4.3	Yes	Yes
	PUR	Yes	5x	10x	-50 / +80	-25 / +80	approx 4.7	Yes	Yes
	PUR	Yes	5x	10x	-50 / +80	-25 / +80	approx 5.0	Yes	Yes
	PUR	Yes	5x	10x	-40 / +80	-25 / +80	approx 5.9	Yes	Yes
	PUR	Yes	5x	10x	-50 / +80	-25 / +80	approx 4.3	Yes	Yes
	PUR	Yes	5x	10x	-50 / +80	-25 / +80	approx 4.7	Yes	Yes
	PUR	Yes	5x	10x	-50 / +80	-25 / +80	approx 5.0	Yes	Yes
	PUR	Yes	4x	7.5x	-40 / +105	-30 / +105	approx 4.9	Yes	Yes
	PUR	Yes	4x	7.5x	-40 / +105	-30 / +105	approx 4.9	Yes	Yes
	PUR	Yes	4x	7.5x	-40 / +105	-30 / +105	approx 5.1	Yes	Yes
	PUR	Yes	5x	10x	-50 / +80	-25 / +80	approx 5.0	Yes	Yes
	PUR	Yes	5x	10x	-50 / +80	-25 / +80	approx 5.4	Yes	Yes
	PUR	Yes	5x	10x	-50 / +80	-25 / +80	approx 5.7	Yes	Yes
	PUR	Yes	5x	12x	-40 / +80	-25 / +80	approx 6.3	Yes	Yes
	PUR	Yes	4x	7.5x	-40 / +105	-30 / +105	approx 4.5	Yes	Yes
	PUR	Yes	4x	7.5x	-40 / +105	-30 / +105	approx 4.9	Yes	Yes
	PUR	Yes	4x	7.5x	-40 / +105	-30 / +105	approx 5.2	Yes	Yes
	PUR	Yes	4x	7.5x	-40 / +105	-30 / +105	approx 5.2	Yes	Yes
	PVC	No	3,5x	7.5x	-40 / +75	-20 / +60	approx 6.5	No	Yes
	PVC	No	3,5x	7.5x	-40 / +70	-20 / +60	approx 6.5	No	Yes
	PUR	Yes	5x	7.5x	-40 / +70	-20 / +60	approx 6.5	Yes	Yes
	PUR	Yes	4x	7.5x	-40 / +80	-	approx 4.8	Yes	Yes
	PUR	Yes	4x	8x	-35 / +80	-10 / +50	approx 8.0	Yes	No
	PVC	No	8x	8x	-30 / +80	-5 / +60	approx 8.0	No	No
	PVC	No	8x	8x	-30 / +80	-5 / +60	approx 8.0	No	No
	PUR	Yes	5x	10x	-40 / +80	-10 / +80	approx 7.0	Yes	Yes
	PVC	No	5x	10x	-40 / +80	-10 / +80	approx 7.0	No	Yes





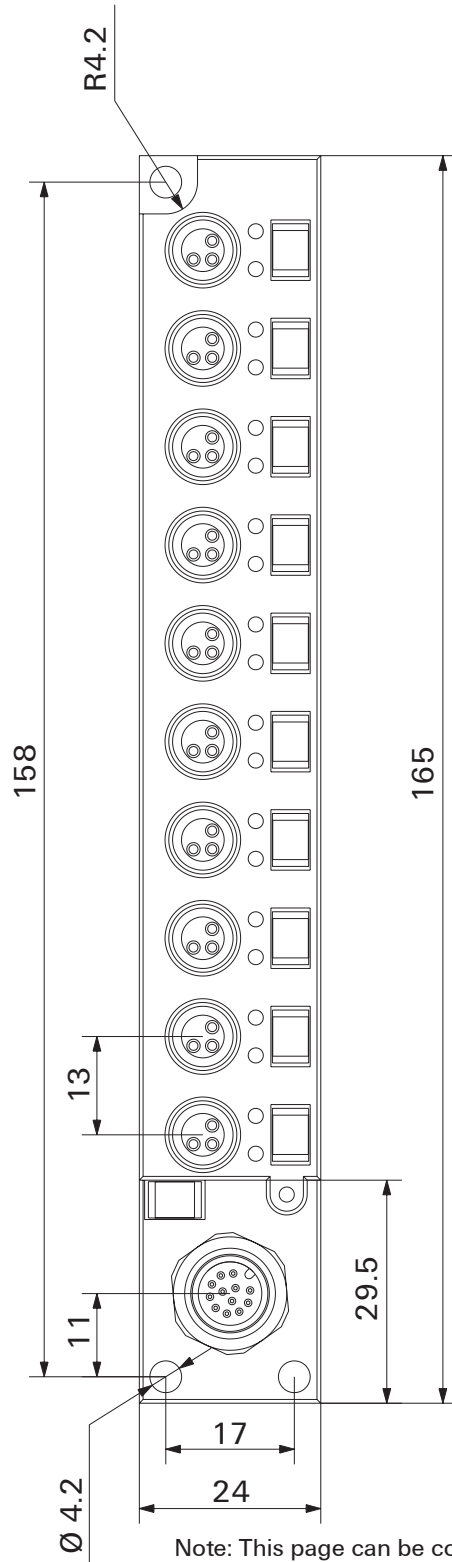
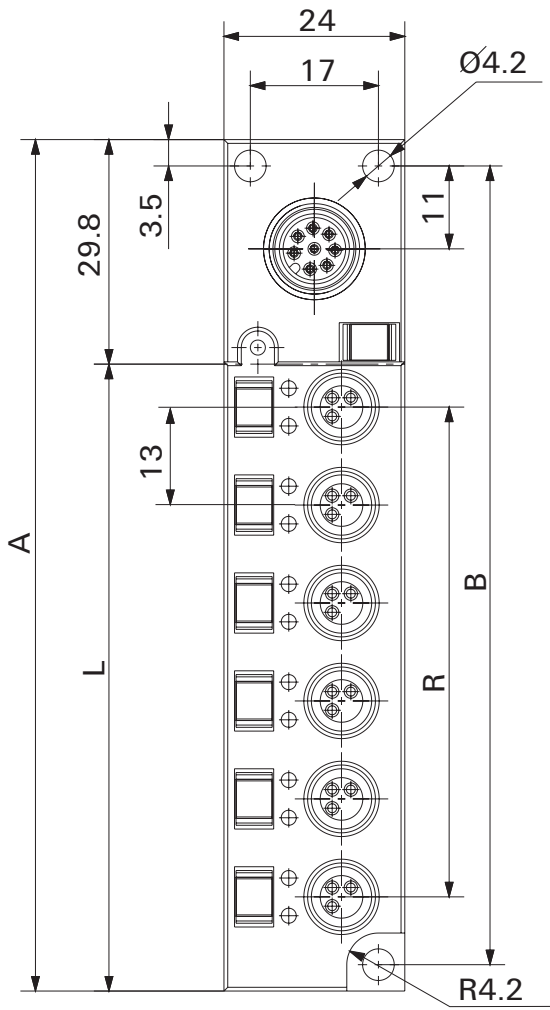
Drilling templates

SAI wall bushing



Note: This page can be copied to use as a template.

SAI M8 line



Note: This page can be copied to use as a template.

## Chemical resistance of nickel

The statements on the resistance of nickel to chemicals only apply when the coating is undamaged and is not subject to any mechanical loads. These statements are based on a review of the literature available and it should be noted that pure nickel is not considered in the literature – only alloyed nickel steels.

The statements on page W.15 are based on research, and once again please note that pure nickel has not been included in the testing. The findings in the research are based on undamaged alloyed nickel steels that have not been subject to any mechanical loads.

The six materials in question are:

Chlorobenzene	1
Chloroform	1
Chromic acid hydride	1
Acetic acid	1
Hydrofluoric acid	2
Concentrated hydrochloric acid	2

The findings for the two materials above marked with a "2" could have a critical impact on applications. The findings for the four materials marked with a "1" should be taken into account but would not be considered critical for applications.

A further advantage of nickel is its thermal stability. The resistance does not change up to a temperature of 120 °C.

Pure nickel:

Corrosion properties are determined by the resistance of the passive layer.

Good resistance in:

- water containing oxygen
- flowing seawater
- alkalis (very good resistance) even at high temperatures and high concentrations
- neutral and alkaline salt solutions (carbonates, phosphates, sulphates, chlorides and nitrates) even at high concentrations and temperatures

Known problems:

- corrosion attack in heavily oxidising acids and solutions containing chlorides
- in inorganic and organic acids only resistant in diluted solutions and at low temperatures
- coating is not toxic (formation of deposits by micro-organisms can lead to destruction of the passive coating)



## Chemical resistance of Pocan<sup>®</sup> (PBT)

Pocan<sup>®</sup> offers good resistance to chemicals. Organic solvents, such as aliphatic hydrocarbons, alcohols, ether, long-chain ester as well as fats, oils and perchlorinated hydrocarbons do not corrode Pocan<sup>®</sup>.

This is also true for water and aqueous solutions, neutral and acid salts, as well as diluted acids.

On the other hand, it is susceptible to alkalis, oxidising acids, ketones and phenols.

Susceptibility to universal alcohols, aromatics and ketones increases as the ambient temperature rises above 60 °C.

In the presence of water and aqueous solutions, hydrolytic degradation at higher temperatures increasingly leads to a decline in stability.

Substances like motor and transformer oils, petrol and brake fluids do not corrode Pocan<sup>®</sup>, even at higher temperatures.

Medium	23 °C	60 °C
Acetic acid 10%	±	±
Acetone	+	-
Ammonia 10%	+	-
Ammonia, concentrated	±	-
Benzene	+	-
Brake fluid	+	+
Butane	+	+
Butanol	+	±
Butyl acetate	+	+
Calcium chloride 10%	+	+
Carbon disulphide	+	±
Carbon tetrachloride	+	±
Chlorobenzene	-	-
Chloroform	-	-
Chromic acid hydride 10%	+	+
Citric acid 10%	+	±
Cresol	-	-
Curd soap	+	+
Dibutyl phthalate	+	±
Diesel oil	+	+
Diethyl ether	+	±
Dioxan	+	-
Ethanol	+	+
Ethyl acetate	±	-
Ethyl dichloride	-	-
Ethylene glycol	+	±
Formic acid 10%	+	±
Freon 11	+	+
Frigen 113	+	+
Glacial acetic acid 10%	-	-
Glycerine	+	+
Heptane	+	+
Hexane	+	+
Hydraulic oil	+	+
Hydrochloric acid 10%	+	-
Hydrochloric acid, concentrated	-	-
Hydrofluoric acid 10%	+	+
Hydrogen peroxide 20%	+	±
Isopropyl alcohol	+	±
Kerosene	+	+

Medium	23 °C	60 °C
Linseed oil	+	+
Lubricating greases	+	+
Methanol	+	±
Methyl ethyl ketone	+	±
Methylene chloride	-	-
Mineral oils	+	+
Motor oils	+	+
Nitric acid 10%	+	±
Nitric acid, concentrated	-	-
Octane	+	+
Olive oil	+	+
Paraffin oil	+	+
Perchloroethylene	±	-
Petrol, normal and lead-free	+	+
Petrol, super	+	+
Petrol/methanol 85/15	+	+
Petroleum	+	+
Phenol 10%	-	-
Phosphoric acid 20%	+	±
Potassium chloride 10%	+	+
Potassium dichromate 10%	+	+
Potassium hydroxide 10%	-	-
Potassium permanganate 10%	+	±
Soap suds 10%	+	±
Sodium bisulphite 10%	+	+
Sodium carbonate 10%	+	+
Sodium chloride 10%	+	+
Sodium hydroxide 10%	-	-
Sulphuric acid 10%	+	±
Sulphuric acid, concentrated	-	-
Tetrahydrofuran	-	-
Toluene	±	-
Transformer oil	+	+
Trichlorethene/chloroform 1/1	±	-
Turpentine oil	+	+
Vegetable oils	+	+
Washing liquid	+	+
Washing powder, synthetic	+	+
Water	+	+
Xylol	±	-

The above values are for guidance only. A definite statement can only be made when based on the respective case in question.

+ = resistant  
- = not resistant  
± = partly resistant



# Index

---

<b>Index</b>	Index Type	X.2
	Index Order No.	X.12
	Addresses worldwide	X.22

---

Type	Order No.	Page
<b>1</b>		
1/4" HANDGRIF	4294820000	M.5
<b>A</b>		
AIE MULTI-STRIPAX 6-16	9202260000	M.11
AIE MULTI-STRIPAX ASI	9202300000	M.11
AIE MULTI-STRIPAX GKWLW	9205770000	M.11
AM 12	9030060000	B.69
AM 12	9030060000	B.70
AM 12	9030060000	B.71
AM 12	9030060000	B.72
AM 12	9030060000	B.73
AM 12	9030060000	B.74
AM 12	9030060000	B.75
AM 12	9030060000	B.76
AM 12	9030060000	B.77
AM 12	9030060000	B.78
AM 12	9030060000	B.79
AM 12	9030060000	B.80
AM 12	9030060000	L.63
AM 12	9030060000	L.67
AM 12	9030060000	M.8
<b>B</b>		
BL 3.50/07/180 SN OR BX	1597410000	E.31
<b>C</b>		
CAN SUB-D M12 180 TERM	1555290000	L.58
CAN SUB-D M12 TERM	1555270000	L.55
CAN SUB-D M12 TERM PS	1555280000	L.55
CAN SUB-D SK	1555300000	L.56
CAN SUB-D SK TERM	1550580000	L.57
CAN SUB-D SK TERM PS	1550590000	L.57
CAN SUB-D SK35 TERM	1550600000	L.59
CAN SUB-D SK35 TERM PS	1550610000	L.56
<b>D</b>		
DAE M12 PA SHORT UL	2729520000	L.77
<b>E</b>		
ERAN MULTI-STRIPAX	9203100000	M.11
ERME 10° SPX 4	1119030000	M.9
ERME 16° SPX 4	1119040000	M.9
ERME MULTI-STRIPAX	9203070000	M.11
ERTE KLBC SPX 10	2571480000	M.9
ERTE KLBC SPX 16	2571490000	M.9
ESG 8/13.5/43.3 SAI AU	1912130000	M.19
ESG 8/13.5/43.3 SAI SDR	1038860000	M.19
ESG 9/20 MC NE WS	1609940000	M.19
ESG 9/20 MCD SDR	1609950000	M.19
<b>F</b>		
FBC PA M12 FM 1M	1785110100	L.24
FBC PA M12 FMA 1M	1076530100	L.24
FBC PA M12 M 1M	1785120100	L.24
FBC PA M12 M-FM 1M	1785100100	L.25
FBC PA M12 M-FMA 1M	1075620100	L.25
FBC PA M12 MA 1M	1076540100	L.24
FBC PA M12 MA-FM 1M	1075460100	L.25
FBC PA M12 MA-FMA 1M	1076550100	L.25
FBCEX PA M12 FM 1M	1785140100	L.24
FBCEX PA M12 FMA 1M	1076520100	L.24
FBCEX PA M12 M 1M	1785150100	L.24
FBCEX PA M12 M-FM 1M	1785130100	L.25
FBCEX PA M12 M-FMA 1M	1075390100	L.25
FBCEX PA M12 MA 1M	1076580100	L.24
FBCEX PA M12 MA-FM 1M	1075450100	L.25
FBCEX PA M12 MA-FMA 1M	1075410100	L.25
FBCON DP CG 1WAY	8564340000	L.19
FBCON DP CG TERM 24V	8564290000	L.20
FBCON DP M12 1WAY	8564350000	L.19
FBCON DP M12 TERM 24V	8564330000	L.20
FBCON DP M12 TERM 5V	8564320000	L.20
FBCON M12 4P FM EMC	8426220000	C.5
FBCON M12 4P FM EMC	8426220000	C.11
FBCON M12 4P FM EMC	8426220000	L.27
FBCON M12 4P M EMC	9455640000	C.5
FBCON M12 4P M EMC	9455640000	C.11
FBCON M12 4P M EMC	9455640000	L.27
FBCON PA CG 1WAY	8564090000	L.32
FBCON PA CG 1WAY EX	8564180000	L.34
FBCON PA CG 1WAY LIMITER	8714220000	L.37
FBCON PA CG 2WAY	8564100000	L.33
FBCON PA CG 2WAY EX	8564190000	L.45
FBCON PA CG 2WAY LIMITER	8714210000	L.38
FBCON PA CG 4WAY	8564110000	L.34
FBCON PA CG 4WAY EX	8564200000	L.46
FBCON PA CG 4WAY LIMITER	8714220000	L.39
FBCON PA CG 8WAY	8564300000	L.35
FBCON PA CG 8WAY EX	8564240000	L.47
FBCON PA CG 8WAY LIMITER	8714230000	L.40
FBCON PA CG M12 1WAY	8564060000	L.32

Type	Order No.	Page
FBCON PA CG/M12 1WAY EX	8564150000	L.44
FBCON PA CG/M12 1WAY LIMITER	8714160000	L.37
FBCON PA CG/M12 2WAY	8564070000	L.33
FBCON PA CG/M12 2WAY EX	8564160000	L.45
FBCON PA CG/M12 2WAY LIMITER	8714170000	L.38
FBCON PA CG/M12 4WAY	8564080000	L.34
FBCON PA CG/M12 4WAY EX	8564170000	L.46
FBCON PA CG/M12 4WAY LIMITER	8714180000	L.39
FBCON PA CG/M12 8WAY	8564310000	L.35
FBCON PA CG/M12 8WAY EX	8564250000	L.47
FBCON PA CG/M12 8WAY LIMITER	8714190000	L.40
FBCON SS CG 1WAY	8703430000	L.32
FBCON SS CG 4WAY	8703450000	L.34
FBCON SS CG 8WAY	8703470000	L.35
FBCON SS DP PCG 1WAY	8714260000	L.19
FBCON SS DP PCG TERM 24V	8714240000	L.20
FBCON SS PCG 1WAY	8613670000	L.32
FBCON SS PCG 1WAY LIMITER	8726110000	L.37
FBCON SS PCG 4WAY	8613680000	L.34
FBCON SS PCG 4WAY LIMITER	8715260000	L.39
FBCON SS PCG 8WAY LIMITER	8726160000	L.38
FBCON TERM.D EX	8606190000	L.48
FBCON TERM.D EX FM	8564560000	L.48
FBCON TERM.D EX FM/PEAN	8606180000	L.48
FBCON TERM.D EX PEAN	8606200000	L.48
<b>G</b>		
GWDR M16-NP	1736230000	L.77
<b>I</b>		
IE-C5DB4RE0015MCA-MCA-E	1059970015	L.68
IE-C5DB4RE0015MCA-XXX-X	1059900015	L.69
IE-C5DB4RE0015MCS-MCA-E	1059940015	L.68
IE-C5DB4RE0015MCS-MCS-E	1010850015	L.66
IE-C5DB4RE0015MCS-XXX-X	1010840015	L.67
IE-C5DB4RE0015MSS-MCA-E	1059340015	L.66
IE-C5DB4RE0015MSS-MCS-E	1059700030	L.68
IE-C5DB4RE0030MCA-MCA-E	1059900030	L.69
IE-C5DB4RE0030MCA-XXX-X	1059900030	L.68
IE-C5DB4RE0030MCS-MCA-E	1059940030	L.66
IE-C5DB4RE0030MCS-MCS-E	1010850030	L.66
IE-C5DB4RE0030MCS-XXX-X	1010840030	L.67
IE-C5DB4RE0030MSS-MCA-E	1059340030	L.66
IE-C5DB4RE0030MSS-MCS-E	1059700050	L.68
IE-C5DB4RE0050MCA-MCA-E	1059900050	L.69
IE-C5DB4RE0050MCA-XXX-X	1059900050	L.68
IE-C5DB4RE0050MCS-MCA-E	1059940050	L.66
IE-C5DB4RE0050MCS-MCS-E	1010850050	L.66
IE-C5DB4RE0050MCS-XXX-X	1010840050	L.67
IE-C5DB4RE0050MSS-MCA-E	1059340050	L.66
IE-C5DB4RE0050MSS-MCS-E	1059700050	L.68
IE-C5DD4UG0015MCA-MCA-E	1044470010	L.63
IE-C5DD4UG0015MCA-XXX-X	1044470010	L.63
IE-C5DD4UG0015MCS-MCA-E	1059890010	L.64
IE-C5DD4UG0015MCS-MCS-E	1059770015	L.64
IE-C5DD4UG0015MCS-XXX-X	1025940015	L.62
IE-C5DD4UG0015MSS-MCA-E	1059330015	L.62
IE-C5DD4UG0015MSS-MCS-E	1059890030	L.64
IE-C5DD4UG0030MCA-MCA-E	1059750030	L.65
IE-C5DD4UG0030MCA-XXX-X	1059750050	L.65
IE-C5DD4UG0030MCS-MCA-E	1044470050	L.63
IE-C5DD4UG0030MCS-MCS-E	1059770050	L.64
IE-C5DD4UG0030MCS-XXX-X	1025940030	L.62
IE-C5DD4UG0030MSS-MCA-E	1059330030	L.62
IE-C5DD4UG0030MSS-MCS-E	1059890050	L.64
IE-C5DD4UG0050MCA-MCA-E	1044470050	L.63
IE-C5DD4UG0050MCA-XXX-X	1044470050	L.63
IE-C5DD4UG0050MCS-MCA-E	1059770050	L.64
IE-C5DD4UG0050MCS-MCS-E	1025950050	L.62
IE-C5DD4UG0050MCS-XXX-X	1025940050	L.63
IE-C5DD4UG0050MSS-MCA-E	1059330050	L.62
IE-C5DD4UG0050MSS-MCS-E	1059890100	L.64
IE-C5DD4UG0100MCA-MCA-E	1059750100	L.65
IE-C5DD4UG0100MCA-XXX-X	1044470100	L.63
IE-C5DD4UG0100MCS-MCA-E	1059770100	L.64
IE-C5DD4UG0100MCS-MCS-E	1025950100	L.62
IE-C5DD4UG0100MCS-XXX-X	1025940100	L.63
IE-C5DD4UG0100MSS-MCA-E	1059330100	L.62
IE-C5DD4UG0100MSS-MCS-E	1059890100	L.64
IE-CST	9204350000	L.63
IE-CST	9204350000	L.67
IE-PCB-M12X-S-180	1324010000	L.75
IE-PCB2-M12X-S-180	1393080000	L.75
IE-PP-RJ45	2552580000	L.63
IE-PS-M12X-P-FH	1324020000	L.75
<b>J</b>		
JP CLIP M	8778490000	H.9
JP TEST	8794120000	H.8
JPD 24VDC 0.2A M12S	2465830000	H.6
JPOVP RJ45 CAT6 IP20	8805550000	H.7

Type	Order No.	Page
JPP NPN PNP 24VDC	8852350000	H.5
JPP PNP PNP 24VDC	8857030000	H.5
JPR 24VDC 100 M12	8771420000	H.3
JPR 24VDC ISO 100 M12	8771430000	H.3
JPTA 50MS 24VDC PNP M12	8771440000	H.4
JPTA100MS 24VDC PNP M12	8836630000	H.4
<b>K</b>		
KT 12	9002660000	M.7
KT 8	9002650000	B.69
KT 8	9002650000	B.70
KT 8	9002650000	B.71
KT 8	9002650000	B.72
KT 8	9002650000	B.73
KT 8	9002650000	B.74
KT 8	9002650000	B.75
KT 8	9002650000	B.76
KT 8	9002650000	B.77
KT 8	9002650000	B.78
KT 8	9002650000	B.79
KT 8	9002650000	B.80
KT 8	9002650000	M.7
<b>M</b>		
M-PRINT PRO	1905490000	M.21
MFF 10/6 MC NE WS	1856780000	M.19
MULTI-STRIPAX 6-16	9202210000	M.11
MULTI-STRIPAX ASI	9202250000	M.11
MULTI-STRIPAX GKW LW	9205760000	M.11
<b>P</b>		
PB-DP SUB-D M12 180	1264180000	L.15
PB-DP SUB-D M12 180 OS	1274250000	L.15
PB-DP SUB-D M12 TERM	1140650000	L.11
PB-DP SUB-D M12 TERM PS	1140640000	L.11
PB-DP SUB-D ZF	1161890000	L.13
PB-DP SUB-D ZF TERM	1161870000	L.13
PB-DP SUB-D ZF TERM PS	1161880000	L.14
PB-DP SUB-D ZF35TERM	1173220000	L.12
PB-DP SUB-D ZF35TERM PS	1173240000	L.12
PJ ADV TEXTILE COVER	2592960000	M.21
PJ ADV TNAW	1338710000	M.21
PJ ADV TNTK INK C	1338680000	M.21
PJ ADV TNTK INK K	1338690000	M.21
PJ ADV TNTK INK M	1338670000	M.21
PJ ADV TNTK INK SET	1338720000	M.21
PJ ADV TNTK INK Y	1338650000	M.21
PJ CON FLUID SET	2715650000	M.21
PJ CON INK C	2715610000	M.21
PJ CON INK K	2715640000	M.21
PJ CON INK M	2715620000	M.21
PJ CON INK SET	2715600000	M.21
PJ CON INK Y	2715630000	M.21
PJ CON WASTE PAD	2715660000	M.21
PJ CON WIFI STICK	2715680000	M.21
POS-4P M12 M20 150MM	8425930000	L.29
POS-4P M12 M20 300MM	8425940000	L.29
POS-4P M12 PG13.5 150MM	9455650000	L.29
POS-4P M12 PG13.5 300 MM	8425910000	L.29
POS-5P M12 B-COD M20 300MM	1795500000	L.29
PRINTJET CLEANER	2449710000	M.21
PRINTJET CLEANER 25ML	2912780000	M.21
PRINTJET CONNECT	2715590000	M.21
<b>R</b>		
RIBBON HSS HF EL 40/300	1426210000	M.23
RIBBON MM 110/360 SW	2005070000	M.23
RIBBON MM 76/360 SW	2005080000	M.23
RIBBON MM 84/300 WS	2005040000	M.23
RIBBON MM-HS 60/300 SW	2448880000	M.23
RIBBON MM-TB 25/360 SW	2005090000	M.23
RS PB-DP T	8800040000	L.21
RS PB-DP T SUB-D	8788580000	L.21
<b>S</b>		
SAE1W-M12BD-4-HTL	2424410000	L.31
SAI JP 4P LG	1915220000	H.10
SAI JP 4P LG 100	8794090000	H.10
SAI JP 4P LG K1	2819850000	H.11
SAI JP 5P LG	1918520000	H.10
SAI JP 5P LG 100	8794080000	H.10
SAI JP FC SET 100	1933680000	H.11
SAI JP FC SET-WE 100	2773240000	H.11
SAI M23 CRIMPING TOOL 1	1203840000	M.14
SAI M23 CRIMPING TOOL 2	1203960000	M.15
SAI Y-4S M8-M8	1805660000	C.41
SAI-04LVPPC-3A-M08L-PNP-10U01	1449400000	E.40
SAI-04LVPPC-3A-M08L-PNP-10U01	1828710000	E.41
SAI-04LVPPC-4A-M08L-PNP-05U03	1849680000	E.6
SAI-04LVPPC-4A-M08L-PNP-05U03	1849680000	E.41



Type	Order No.	Page	Type	Order No.	Page	Type	Order No.	Page	Type	Order No.	Page
SAI-M23-SE-19-F-PEV	1224460000	K.22	SAIB-3/7	1021490000	C.5	SAIBC-WDF-D-RR-6.6-C5	1380640000	L.74	SAIBWP-M-4D-4/8-M12	2681710000	C.5
SAI-M23-SE-6	1170000000	K.14	SAIB-3/7	1021490000	C.7	SAIBC-WDF-D-RR-7.3-C5	1380630000	C.37	SAIBWP-M-4D-4/8-M12	2681710000	C.20
SAI-M23-SE-6-10MM	1224050000	K.19	SAIB-3/9	1021510000	C.5	SAIBC-WDF-D-RR-7.3-C5	1380630000	L.74	SAIBWP-M-5A-4/8-M12	2681630000	C.5
SAI-M23-SE-6-17MM	1224060000	K.19	SAIB-3/9	1021510000	C.7	SAIBC-WDF-D-RR-8.3-C5	1380650000	C.37	SAIBWP-M-5A-4/8-M12	2681630000	C.19
SAI-M23-SE-6.5MM	1224020000	K.19	SAIB-3/9-7/8	1291910000	J.6	SAIBC-WDF-D-RR-8.3-C5	1380650000	L.74	SAIBWP-M-5B-4/8-M12	2681670000	C.5
SAI-M23-SE-7	1170030000	K.14	SAIB-4+FE/8-13-L-COD	2703520000	D.17	SAIBM 5/8S M12 5P B-COD	1784780000	C.74	SAIBWP-M-5B-4/8-M12	2681670000	C.20
SAI-M23-SE-7-10MM	1224120000	K.19	SAIB-4+PE/8-13-K-COD	2703500000	D.18	SAIBM 5/8S M12 5P B-COD	1784780000	C.13	SAID-M12B-4-9SMT	2422060000	L.5
SAI-M23-SE-7-17MM	1224130000	K.19	SAIB-4-IDC (0,75) M12	1852750000	D.14	SAIBM 5/8S M12 5P B-COD	1784780000	L.9	SAID-M12B-4-9SMT	2422060000	L.39
SAI-M23-SE-7-3.5MM	1224090000	K.19	SAIB-4-IDC M12	1781540000	C.28	SAIBM 3/9S-M8	1467560000	C.16	SAID-M12B-4-9SMT-TR	2422090000	L.40
SAI-M23-SE-7-F	1224070000	K.19	SAIB-4-IDC-M12 SMALL	1781540001	C.5	SAIBM-4/8S-M12 4P A-ZF	1784740002	C.5	SAID-M12B-4S-9SMT	2422180000	L.5
SAI-M23-SE-9	1170050000	K.14	SAIB-4-IDC-M12 SMALL	1781540001	C.27	SAIBM-4/8S-M12 4P D-ZF	1892130001	C.5	SAID-M12B-4S-9SMT	2422180000	L.39
SAI-M23-SE-9-10MM	1224540000	K.20	SAIB-4-IDC-M8 SMALL	1784050001	C.6	SAIBM-4/8S-M12 4P D-ZF	1892130001	C.26	SAID-M12B-4S-9SMT-TR	2422210000	L.40
SAI-M23-SE-9-10MM-G	1224770000	K.20	SAIB-4-IDC-M8 SMALL	1784050001	C.31	SAIBM-4/8S-M12 4P D-COD	1892130000	C.5	SAID-M12B-5-9SMT	2422120000	L.5
SAI-M23-SE-9-17MM	1224550000	K.20	SAIB-4/11-1.5	1353730000	D.14	SAIBM-4/8S-M12 4P D-COD	1892130000	C.14	SAID-M12B-5-9SMT	2422120000	L.39
SAI-M23-SE-9-17MM-G	1224780000	K.20	SAIB-4/11-7/8	1292050000	J.7	SAIBM-4/8S-M12 4P D-COD	1892130000	L.70	SAID-M12B-5-9SMT-TR	2422150000	L.40
SAI-M23-SE-9-3.5MM	1224510000	K.20	SAIB-4/11-T-COD	1391980000	D.16	SAIBM-4/9S-M8	1467580000	C.16	SAID-M12B-5S-9SMT	2422240000	L.5
SAI-M23-SE-9-F	1224490000	K.20	SAIB-4/7	9457240000	C.5	SAIBM-5/6S M12 5P A-COD	1191020000	C.5	SAID-M12B-5S-9SMT	2422240000	L.39
SAI-M23-SE-9-F-G	1224730000	K.20	SAIB-4/7	9457240000	C.7	SAIBM-5/6S M12 5P A-COD	1191020000	C.11	SAID-M12B-5S-9SMT-TR	2422270000	L.40
SAI-M23-SE-L4/4	1170380000	K.30	SAIB-4/7(KV)	1921080000	C.10	SAIBM-5/6S M12 5P A-COD	1191020000	L.27	SAID-M12B-8-9SMT	2422480000	L.5
SAI-M23-SE-L6	1170350000	K.30	SAIB-4/9	1807230000	C.5	SAIBM-8/11S-M12	1118920000	C.12	SAID-M12B-8-9SMT	2422480000	L.39
SAI-M23-SK-F	1416410000	K.32	SAIB-4/9	1807230000	C.7	SAIBM-8/7S-M12	1423540000	C.12	SAID-M12B-8-9SMT-TR	2422510000	L.40
SAI-M23-SK-F-FS	1417920000	K.32	SAIB-4/9-7/8	1812480000	J.6	SAIBM-8/9S-M12	1258930000	C.12	SAID-M12B-8S-9SMT	2423380000	L.5
SAI-M23-SK-F-P	1408270000	K.32	SAIB-4/9-7/8	1812480000	L.76	SAIBM-M8-3P(TL)	1921010000	C.6	SAID-M12B-8S-9SMT	2423380000	L.39
SAI-M23-SK-M	1244790000	K.32	SAIB-5/11-1.5	1353750000	D.14	SAIBM-M8-3P(TL)	1921010000	C.22	SAID-M12B-8S-9SMT-TR	2423410000	L.40
SAI-M23-SK-M-FS	1170810000	K.32	SAIB-5/11-7/8	1292010000	J.7	SAIBM-M8-3P(IF)	1010080000	C.6	SAID-M12B-8S-9SMT	2422840000	L.5
SAI-M23-SK-M-P	1408280000	K.32	SAIB-5/7	9457250000	C.5	SAIBM-M8-3P(IF)	1010080000	C.17	SAID-M12B-8S-9SMT	2422840000	L.41
SAI-M23-SK-VA-AG	2125220000	K.33	SAIB-5/7	9457250000	C.8	SAIBM-M8-4P(TL)	1921020000	C.6	SAID-M12B-8S-9SMT-TR	2422870000	L.42
SAI-M23-SK-VA-AG-FS	2125950000	K.33	SAIB-5/7(KV)	1921070000	C.10	SAIBM-M8-4P(TL)	1921020000	C.22	SAID-M12B-8S-9SMT	2422900000	L.5
SAI-M23-SK-VA-IG	2124610000	K.33	SAIB-5/7-ZF	1924970000	C.5	SAIBM-M8-4P(IF)	1010090000	C.6	SAID-M12B-8S-9SMT	2422900000	L.41
SAI-M23-SK-VA-IG-FS	2124860000	K.33	SAIB-5/7-ZF	1924970000	C.24	SAIBM-M8-4P(IF)	1010090000	C.17	SAID-M12B-8S-9SMT-TR	2422930000	L.42
SAI-M8-CLIP	1363800000	B.58	SAIB-5/9	1807250000	C.5	SAIBP-4A-4/8-M12	2681500000	C.5	SAID-M12B-4S-9SMT	2422960000	L.41
SAI-MDC12AL1	2726210000	M.13	SAIB-5/9	1807250000	C.8	SAIBP-4A-4/8-M12	2681500000	C.18	SAID-M12B-4S-9SMT	2422960000	L.5
SAI-SA-3-IDC	945720000	E.18	SAIB-5/9(KV)	1007090000	C.10	SAIBP-5A-4/8-M12	2681580000	C.5	SAID-M12B-4S-9SMT-TR	2422990000	L.42
SAI-SA-4-IDC	1766810000	E.18	SAIB-5/9-7/8	1292000000	J.6	SAIBP-5A-4/8-M12	2681580000	C.18	SAID-M12B-5-9SMT	2530820000	D.30
SAI-SCREWTY BOX	1939180000	M.6	SAIB-5/9-ZF	1044710000	C.24	SAIBP-M-4A-4/8-M12	2681540000	C.5	SAID-M12S-4-9SMT	2422540000	L.5
SAI-SCREWTY TOOL BOX	1939170000	M.6	SAIB-8/9	1836960000	C.5	SAIBP-M-4A-4/8-M12	2681540000	C.19	SAID-M12S-4-9SMT	2422540000	L.39
SAI-SK M12 MT	1802750000	C.46	SAIB-8/9	1836960000	C.8	SAIBP-M-4D-4/8-M12	2681700000	C.5	SAID-M12S-4-9SMT-TR	2422570000	L.40
SAI-SK M8	1802760000	C.46	SAIB-M-4S-IDC-M12-D-COD	2812410000	C.30	SAIBP-M-4D-4/8-M12	2681700000	C.20	SAID-M12S-4S-9SMT	2423500000	L.5
SAI-SK STECKER M12	1781520000	C.46	SAIB-M-5/8S M12 5P A-COD	1784750000	C.5	SAIBP-M-5A-4/8-M12	2681620000	C.5	SAID-M12S-4S-9SMT	2423500000	L.39
SAI-SK-M12	9456050000	C.46	SAIB-M-5/8S M12 5P A-COD	1784750000	C.11	SAIBP-M-5A-4/8-M12	2681620000	C.19	SAID-M12S-4S-9SMT-TR	2423530000	L.40
SAI-SK-M12 BU	8425960000	C.46	SAIB-M-5/8S M12 5P A-COD	1784750000	L.27	SAIBP-M-5B-4/8-M12	2681660000	C.5	SAID-M12S-5-9SMT	2422600000	L.5
SAI-SK-M12 IDC	1794850000	C.46	SAIB-M-5/8S M12 5P A-COD	1784750000	L.54	SAIBP-M-5B-4/8-M12	2681660000	C.20	SAID-M12S-5-9SMT	2422600000	L.39
SAI-SK-M12 IDC	1794850000	E.19	SAIB-M-5S-IDC-M12-L-COD	2530760000	D.19	SAIBW-12/9-(TL)	1925870000	C.21	SAID-M12S-5-9SMT	2422630000	L.40
SAI-SK-M12-RED	2807920000	D.38	SAIB-M16-12/9	1548830000	C.38	SAIBW-3+PE/11-S-COD	1467870000	D.15	SAID-M12S-5S-9SMT	2423560000	L.39
SAI-SK-M12-UNI 2029	2330260000	C.46	SAIB-M16-16/9	1548840000	C.38	SAIBW-3/11-7/8	1291940000	J.7	SAID-M12S-5S-9SMT-TR	2423590000	L.40
SAI-SSA-PG7	1938300000	C.64	SAIB-M16-2/9	1321690000	C.38	SAIBW-3/7	1021310000	C.5	SAID-M12S-8-9SMT	2422420000	L.5
SAI-SUB-D 9 SK35	1551080000	L.60	SAIB-M16-4/9	1117960000	C.38	SAIBW-3/7	1021310000	C.7	SAID-M12S-8-9SMT	2422420000	L.39
SAI-T-5-M12/12 B-COD	1057940000	C.43	SAIB-M16-5/9	1117980000	C.38	SAIBW-3/9	1021320000	C.7	SAID-M12S-8-9SMT-TR	2422450000	L.40
SAI-T-5S-PARA	1008370000	C.43	SAIB-M16-6/9	1304400000	C.38	SAIBW-3/9-7/8	1291930000	J.6	SAID-M12S-8S-9SMT	2423620000	L.5
SAI-T-M12-K	2616500000	D.32	SAIB-M16-7/9	1118000000	C.38	SAIBW-4+FE/8-13-L-COD	2768340000	D.17	SAID-M12S-8S-9SMT	2423620000	L.39
SAI-T-M12-L	2616490000	D.32	SAIB-M16-8/9	1304450000	C.38	SAIBW-4+PE/8-13-K-COD	2812420000	D.18	SAID-M12S-8S-9SMT-TR	2423650000	L.40
SAI-T-M12-S	2616430000	D.31	SAIB-M23-12P-AN-1.0M	1877440100	K.34	SAIBW-4-IDC M12	1812890000	C.28	SAID-M12SB-4S-9SMT	2422720000	L.5
SAI-T-M12-T	2616440000	D.31	SAIB-M23-12P-ST-1.0M	1886440100	K.34	SAIBW-4/11-1.5	1467670000	D.14	SAID-M12SB-4S-9SMT	2422720000	L.41
SAI-TM-C-P4	1381680000	M.13	SAIB-M23-19P-AN-1.0M	1818140100	K.34	SAIBW-4/11-7/8	1292070000	J.7	SAID-M12SB-4S-9SMT-TR	2422750000	L.42
SAI-TM-C-PD	1381700000	M.13	SAIB-M23-19P-ST-1.0M	1818180100	K.34	SAIBW-4/11-COD	1467890000	D.16	SAID-M12SB-5S-9SMT	2422780000	L.5
SAI-TM-CDC	1381710000	M.12	SAIB-M8-3P	1803870000	C.6	SAIBW-4/7	9457700000	C.5	SAID-M12SB-5S-9SMT	2422780000	L.41
SAI-TM-CGK	1381670000	M.13	SAIB-M8-3P	1803870000	C.15	SAIBW-4/7	9457700000	C.7	SAID-M12SB-5S-9SMT-TR	2422810000	L.42
SAI-TM-CSC	1381690000	M.13	SAIB-M8-3P TL	2511710000	C.23	SAIBW-4/7-(KV)	1935610000	C.10	SAID-M12S-5-SMT	2530820000	D.30
SAI-TS35 MF	1917400000	E.38	SAIB-M8-4P	1803880000	C.6	SAIBW-4/8S-M12 4P D-ZF	1139330000	C.5	SAID-M8B-3-SMT	2421720000	L.4
SAI-TSK-M12	2424890000	B.58	SAIB-M8-4P	1803880000	C.15	SAIBW-4/8S-M12 4P D-ZF	1139330000	C.26	SAID-M8B-3-SMT	2421720000	L.17
SAI-TSK-M12-80	2429320000	B.58	SAIB-M8-4P TL	2511720000	C.23	SAIBW-4/9	1807240000	C.5	SAID-M8B-3-THR	2423760000	L.13
SAI-WDF 4P M12 K 230	2485360000	C.45	SAIB-VSA-3P/230/11-H/OB	1873150000	C.59	SAIBW-4/9	1807240000	C.7	SAID-M8B-3S-SMT	2421780000	L.4
SAI-WDF 5P B M12 K	2485310000	C.45	SAIB-VSA-3P/230/9-H/OB	1873130000	C.59	SAIBW-4/9-7/8	1812470000	J.6	SAID-M8B-3S-SMT	2421780000	L.17
SAI-WDF 5P M12 K	2427060000	C.45	SAIB-VSA-3P/230/9/LD	1873110000	C.60	SAIBW-4/9-7/8	1812470000	L.76	SAID-M8B-3S-THR	2423820000	L.13
SAI-WDF 8P M12 M16	1543490000	C.45	SAIB-VSA-3P/24/9/LD	1873120000	C.60	SAIBW-5/11-1.5	1467690000	D.14	SAID-M8B-4-SMT	2421840000	L.4
SAI-WDF-M12-4P-5-COD-M16	2830770000	D.24	SAIB-VSA-3P/250/11-OB	1873090000	C.59	SAIBW-5/11-7/8	1292030000	J.7	SAID-M8B-4-SMT	2421840000	L.17
SAI-WDF-M12-4P-COD-M16	2830780000	D.24	SAIB-VSA-3P/250/9-OB	1873070000	C.59	SAIBW-5/7	9457260000	C.5	SAID-M8B-4-THR	2423880000	L.13
SAI-WDF-M12-5P-K-COD-M16	2830790000	D.25	SAIB-VSA-4P/230/11-H/OB	1873160000	C.59	SAIBW-5/7	9457260000	C.8	SAID-M8B-4S-SMT	2421900000	L.4
SAI-WDF-M12-5P-L-COD-M16	2830800000	D.25	SAIB-VSA-4P/230/9-H/OB	1873140000	C.59	SAIBW-5/7(KV)	1466230000	C.10	SAID-M8B-4S-SMT	2421900000	L.17
SAI-XXZ-MXP-4X-MO8X-XXX	2819250000	E.38	SAIB-VSA-4P/250/11-OB	1873100000	C.59	SAIBW-5/7-ZF	1365580000	C.24	SAID-M8B-4S-THR	2423940000	L.13
SAI-Y-3/3 M8-M8	1524700000	C.41	SAIB-VSA-4P/250/9-OB	1873080000	C.59	SAIBW-5/8S-M12 5P A-ZF	1275750000	C.5	SAID-M8B-5-SMT	2421960000	L.5
SAI-Y-3/3 M8-M8 U	1550620000	C.42	SAIB-VSB-3P/24/9/LD	1873180000	C.61	SAIBW-5/9	1807330000	C.5	SAID-M8B-5-SMT	2421960000	L.17
SAI-Y-4-2/4 M12/8	1783420000	C.41	SAIB-VSB-3P/250/9-OB	1873170000	C.61	SAIBW-5/9	1807330000	C.8	SAID-M8B-5-THR	2424000000	L.13
SAI-Y-4/3 M8-M8	1524720000	C.42	SAIB-VSBD-3P/250/9-OB	1873190000	C.62	SAIBW-5/9(KV)	1007070000	C.10	SAID-M8B-5S-SMT	2422020000	L.4
SAI-Y-4S-M12/M12	1060730000	C.40	SAIB-VSC-3P/250/7-OB	1873200000	C.63	SAIBW-5/9-7/8	1292020000	J.6	SAID-M8B-5S-SMT	2422020000	L.17
SAI-Y-5 AND 2M12	1515140000	C.41	SAIB-VSC-4P/250/7-OB	1873210000	C.63	SAIBW-8/9-M12	1934890000	C.5	SAID-M8B-		



Type	Order No.	Page	Type	Order No.	Page	Type	Order No.	Page	Type	Order No.	Page
SAID-M8S-5S-THR	2424090000	L13	SAIE-M12B-8-F10TL	2421760000	L28	SAIE-M12S-5S-9/14SMT	2423320000	L37	SAIE-M8S-3-0.5U-FP-M8	1078730000	C.52
SAID-M8S-8-SMT	2422110000	L4	SAIE-M12B-8-H10TL	2421820000	L28	SAIE-M12S-5S-F10TL	2422670000	L33	SAIE-M8S-3-F13SMT	2422290000	L14
SAID-M8S-8-SMT	2422110000	L17	SAIE-M12B-8-H12TL-M16	2421710000	L22	SAIE-M12S-5S-F5.5TL	2423150000	L32	SAIE-M8S-3-F13THR	2422890000	L10
SAID-M8S-8-THR	2424150000	L13	SAIE-M12B-8-H12TL-PG9	2422070000	L23	SAIE-M12S-5S-H10TL	2422910000	L33	SAIE-M8S-3-F13M8	2422280000	L14
SAID-M8S-8S-SMT	2422170000	L4	SAIE-M12B-8-H5.5TL-M16	2421640000	L22	SAIE-M12S-5S-H5.5TL	2423390000	L32	SAIE-M8S-3-F9THR	2422860000	L10
SAID-M8S-8S-SMT	2422170000	L17	SAIE-M12B-8-H5.5TL-PG9	2422040000	L23	SAIE-M12S-5S-TLHW-PG9	1467720000	C.56	SAIE-M8S-3-H5.5TL	2421570000	L16
SAID-M8S-8S-THR	2424220000	L13	SAIE-M12B-8S-13/14SMT	2423170000	L37	SAIE-M12S-5S0.5U HW	1341230050	C.53	SAIE-M8S-3S-F13SMT	2422350000	L16
SAIE-7/8-B-3-0.2U-M20	1471510000	J.11	SAIE-M12B-8S-9/14SMT	2423470000	L37	SAIE-M12S-5S2.0U HW	1341230200	C.53	SAIE-M8S-3S-F13THR	2422950000	L12
SAIE-7/8-B-4-0.2U-M20	1471520000	J.11	SAIE-M12B-8S-F10TL	2421790000	L33	SAIE-M12S-8-0.5U-FP-M16	1861180000	C.49	SAIE-M8S-3S-F13TL	2423460000	L8
SAIE-7/8-S-0.2U-M20	1471490000	J.11	SAIE-M12B-8S-H10TL	2421850000	L33	SAIE-M12S-8-0.5U-M16	1861110000	C.49	SAIE-M8S-3S-F9SMT	2422320000	L16
SAIE-7/8B-3-0.2U-H	1292390000	J.8	SAIE-M12B-8S-H6.75TL	2421940000	L26	SAIE-M12S-8S-0.5U-PG9	1861240000	C.50	SAIE-M8S-3S-F9THR	2422920000	L12
SAIE-7/8B-3-0.2U-PG11	1292370000	J.9	SAIE-M12B-8S-TLHW-PG9	1467790000	C.56	SAIE-M12S-8/14SMT	2423280000	L36	SAIE-M8S-3S-F9TL	2423430000	L8
SAIE-7/8B-3-0.2U-PG13.5	1292380000	J.10	SAIE-M12B-8S0.5U HW	1223650050	C.53	SAIE-M12S-8-H12TL-M16	2421890000	L22	SAIE-M8S-3S-H10TL	2423520000	L17
SAIE-7/8B-4-0.2U-H	1292450000	J.8	SAIE-M12B-8S2.0U HW	1223650000	C.53	SAIE-M12S-8-H12TL-PG9	2422550000	L23	SAIE-M8S-3S-H6TL	2423490000	L7
SAIE-7/8B-4-0.2U-PG11	1292430000	J.9	SAIE-M12B-PB-0.5U HW	1279480050	L6	SAIE-M12S-8-H5.5TL-M16	2421800000	L22	SAIE-M8S-4-0.5U-FP-M8	1078720000	C.52
SAIE-7/8B-4-0.2U-PG13.5	1292440000	J.10	SAIE-M12B-PB-1.0U HW	1279480100	L6	SAIE-M12S-8-H5.5TL-PG9	2422220000	L23	SAIE-M8S-4-F13SMT	2422500000	L14
SAIE-7/8B-5-0.2U-H	1292520000	J.8	SAIE-M12B-PB-2.0U HW	1279480200	L6	SAIE-M12S-8S-9/14SMT	2423530000	L37	SAIE-M8S-4-F13THR	2423100000	L10
SAIE-7/8B-5-0.2U-PG11	1292500000	J.9	SAIE-M12B-PB-5.0U HW	1279480500	L6	SAIE-M12S-8S-TLHW-PG9	1467730000	C.56	SAIE-M8S-4-F9SMT	2422410000	L14
SAIE-7/8B-5-0.2U-PG13.5	1292510000	J.10	SAIE-M12BB-4-F10TL	2423900000	L35	SAIE-M12S-8S0.5U HW	1341240050	C.53	SAIE-M8S-4-F9THR	2423070000	L10
SAIE-7/8S-3-0.2U-H	1292350000	J.8	SAIE-M12BB-4-F5.5TL	2424020000	L35	SAIE-M12S-8S2.0U HW	1341240200	C.53	SAIE-M8S-4-H5.5TL	2421580000	L16
SAIE-7/8S-3-0.2U-M20	1418040000	J.11	SAIE-M12BB-4-H10TL	2423930000	L34	SAIE-M12S-PB-0.5U HW	1279490050	L6	SAIE-M8S-4-H5.5M8	2422530000	L15
SAIE-7/8S-3-0.2U-PG11	1292330000	J.9	SAIE-M12BB-4-H12TL-PG9	2424510000	L25	SAIE-M12S-PB-1.0U HW	1279490100	L6	SAIE-M8S-4-H6THR	2423130000	L11
SAIE-7/8S-3-0.2U-PG13.5	1292340000	J.10	SAIE-M12BB-4-H5.5TL	2424050000	L34	SAIE-M12S-PB-2.0U HW	1279490200	L6	SAIE-M8S-4S-F13SMT	2422590000	L16
SAIE-7/8S-4-0.2U-H	1292420000	J.8	SAIE-M12BB-4-H5.5TL-PG9	2424490000	L25	SAIE-M12S-PB-5.0U HW	1279490500	L6	SAIE-M8S-4S-F9SMT	2422560000	L15
SAIE-7/8S-4-0.2U-M20	1418050000	J.11	SAIE-M12BB-4S-13/14SMT	2423740000	L38	SAIE-M12SB-4-F10TL	2423960000	L35	SAIE-M8S-4S-F9SMT	2422560000	L16
SAIE-7/8S-4-0.2U-PG11	1292400000	J.9	SAIE-M12BB-4S-9/14SMT	2423680000	L38	SAIE-M12SB-4-F5.5TL	2424080000	L35	SAIE-M8S-4S-F9THR	2423160000	L12
SAIE-7/8S-4-0.2U-PG13.5	1292410000	J.10	SAIE-M12BB-4S-H6.75TL	2421970000	L26	SAIE-M12SB-4-H10TL	2423990000	L34	SAIE-M8S-4S-H10SMT	2422620000	L15
SAIE-7/8S-5-0.2-PG11	1292470000	J.9	SAIE-M12BB-5S-13/14SMT	2423770000	L38	SAIE-M12SB-4-H12TL-PG9	2421730000	L25	SAIE-M8S-4S-H10THR	2423220000	L11
SAIE-7/8S-5-0.2U-H	1292490000	J.8	SAIE-M12BB-5S-9/14SMT	2423710000	L38	SAIE-M12SB-4-H5.5TL	2424110000	L34	SAIE-M8S-4S-H10TL	2423640000	L7
SAIE-7/8S-5-0.2U-PG13.5	1292480000	J.10	SAIE-M12BD-4-F10TL	2424140000	L35	SAIE-M12SB-4-H5.5TL-PG9	2421700000	L25	SAIE-M8S-4S-H6TL	2423610000	L7
SAIE-EW-M20/PG9-SW24-VA	1950270000	L29	SAIE-M12BD-4-F5.5TL	2424200000	L35	SAIE-M12SB-4S-9SMT	2423800000	L38	SAIE-M8S-5B-H5.5TL	2421590000	L6
SAIE-KMM10X1-SW12	2424560000	L14	SAIE-M12BD-4-H10TL	2424170000	L34	SAIE-M12SB-5S-9SMT	2423830000	L38	SAIE-M8S-6-0.2U-FP	1467590000	C.51
SAIE-KMM10X1-SW12	2424560000	L19	SAIE-M12BD-4-H12TL-PG9	2424470000	L25	SAIE-M12SL-0.3VFM16-1.5	2530770000	D.28	SAIE-M8S-6-0.2U-HW	1467620000	C.51
SAIE-KMM12X1-SW14	2424570000	L14	SAIE-M12BD-4-H5.5TL	2424230000	L34	SAIE-M12SL-0.3VFM16-2.5	2530790000	D.28	SAIE-M8S-8-H5.5TL	2421690000	L16
SAIE-KMM12X1-SW14	2424570000	L21	SAIE-M12BD-4-H5.5TL-PG9	2424440000	L25	SAIE-M12SL-0.3VHM16-1.5	2625950000	D.28	SAIE-M8S-8-TLHW	1467610000	C.54
SAIE-KMM14X1-SW15	2424010000	L5	SAIE-M12BD-4S-13/14SMT	2423890000	L38	SAIE-M12SL-0.3VHM16-2.5	2625960000	D.28	SAIEND 1/4 M8G SP	2662450000	F.5
SAIE-KMM14X1-SW15	2424010000	L44	SAIE-M12BD-4S-9/14SMT	2423860000	L38	SAIE-M12SL-5S-F12TL-M16	2530800000	D.29	SAIEND CAN M8 4P	1955340000	L.52
SAIE-M12B-12-0.5U-FP-M16	1289140000	C.49	SAIE-M12BD-4S-H6.75TL	2422000000	L26	SAIE-M12SL-5S-H11TL-M16	2530900000	D.29	SAIE-M12B-4-FTL	2423540000	L29
SAIE-M12B-12S-TLHW-PG9	1467810000	C.56	SAIE-M12BL-0.3VFM16-1.5	2530780000	D.28	SAIE-M16B-4-L	1326720000	C.57	SAIE-M12B-4-FTL	2423420000	L29
SAIE-M12B-3-PE-S-0.2U-M16	1467940000	D.27	SAIE-M12BL-0.3VFM16-2.5	2530800000	D.28	SAIE-M16B-5-L	1326730000	C.57	SAIE-M12B-4S-FTL	2423570000	L30
SAIE-M12B-3-PE-S-0.5U-M16	1460310000	D.27	SAIE-M12BL-0.3VHM16-1.5	2625940000	D.28	SAIE-M16B-7-L	1326740000	C.57	SAIE-M12B-4S-HTL	2423450000	L30
SAIE-M12B-4-0.2U-P9.75	1353780000	D.26	SAIE-M12BL-0.3VHM16-2.5	2625970000	D.28	SAIE-M16S-5-HWM	1269790000	C.57	SAIE-M12B-4S-TLHW-PG9	1467820000	C.56
SAIE-M12B-4-0.5U-FP-M16	1861190000	C.49	SAIE-M12BL-5S-F12TL-M16	2530890000	D.29	SAIE-M23-LEM	1170320000	K.29	SAIE-M12B-5-FTL	2423600000	L29
SAIE-M12B-4-0.5U-M16	1861120000	C.49	SAIE-M12BL-5S-H11TL-M16	2530910000	D.29	SAIE-M23-LEM-VA	1479420000	K.27	SAIE-M12B-5-HTL	2423480000	L29
SAIE-M12B-4-0.5U-PG9	1861250000	C.50	SAIE-M12S-12-0.5U-FP-M16	1283550000	C.49	SAIE-M23-LHW	1170340000	K.29	SAIE-M12B-5S-FTL	2423630000	L30
SAIE-M12B-4-13/14SMT	2423020000	L36	SAIE-M12S-12S-TLHW-PG9	1467740000	C.56	SAIE-M23-LRM	1170310000	K.29	SAIE-M12B-5S-HTL	2423510000	L30
SAIE-M12B-4-9SMT	2422300000	L36	SAIE-M12S-3-PE-S-0.2U-M16	1467830000	D.27	SAIE-M23-LVW	1170300000	K.29	SAIE-M12B-5S-HTL-PG9	1467830000	C.56
SAIE-M12B-4-F10TL	2422460000	L28	SAIE-M12S-3-PE-S-0.5U-M16	1460320000	D.27	SAIE-M23-LVW-VA	1468380000	K.27	SAIE-M12B-4-FTL	2424260000	L31
SAIE-M12B-4-F5.5TL	2422940000	L28	SAIE-M12S-4-0.2U-P9.75	1353770000	D.26	SAIE-M23-LVW-25X25	1170330000	K.29	SAIE-M12B-4-HTL	2424280000	L31
SAIE-M12B-4-H10TL	2422700000	L28	SAIE-M12S-4-0.2U-AEH-VA	1861220001	L29	SAIE-M23-S-EM	1169970000	K.13	SAIE-M12B-4-FTL	2424380000	L31
SAIE-M12B-4-H12TL-M16	2421660000	L22	SAIE-M12S-4-0.5U-FP-M16	1861160000	C.49	SAIE-M23-S-EM	1169970000	K.24	SAIE-M12S-4-FTL	2423780000	L29
SAIE-M12B-4-H12TL-PG9	2421950000	L23	SAIE-M12S-4-0.5U-M16	1861090000	C.49	SAIE-M23-S-EM	1169970000	K.25	SAIE-M12S-5-FTL	2423660000	L29
SAIE-M12B-4-H5.5TL	2423180000	L22	SAIE-M12S-4-0.5U-PG9	1861220000	C.50	SAIE-M23-S-EM-VA	1479400000	K.27	SAIE-M12S-4S-FTL	2423810000	L30
SAIE-M12B-4-H5.5TL-M16	2421600000	L27	SAIE-M12S-4-9/14SMT	2423200000	L36	SAIE-M23-S-HW	1169990000	K.13	SAIE-M12S-4S-HTL	2423690000	L30
SAIE-M12B-4-H5.5TL-PG9	2421920000	L23	SAIE-M12S-4-F10TL	2422580000	L28	SAIE-M23-S-HW	1169990000	K.24	SAIE-M12S-4S-TLHW-PG9	1467750000	C.56
SAIE-M12B-4-T-0.2U-M16	1467960000	D.27	SAIE-M12S-4-F5.5TL	2423060000	L27	SAIE-M23-S-HW	1169990000	K.25	SAIE-M12S-5-FTL	2423840000	L29
SAIE-M12B-4-T-0.5U-M16	1460330000	D.27	SAIE-M12S-4-H10TL	2422820000	L28	SAIE-M23-S-RM	1169950000	K.13	SAIE-M12S-5-HTL	2423720000	L29
SAIE-M12B-4B-H12TL-M16	2422340000	L24	SAIE-M12S-4-H12TL-M16	2421830000	L22	SAIE-M23-S-RM	1169950000	K.24	SAIE-M12S-5S-FTL	2423870000	L30
SAIE-M12B-4B-H5.5TL-M16	2422310000	L24	SAIE-M12S-4-H12TL-PG9	2422130000	L23	SAIE-M23-S-VW	1169940000	K.13	SAIE-M12S-5S-HTL	2423750000	L30
SAIE-M12B-4D-H12TL-M16	2422280000	L24	SAIE-M12S-4-H5.5TL	2423300000	L27	SAIE-M23-S-VW	1169940000	K.24	SAIE-M12S-5S-TLHW-PG9	1467760000	C.56
SAIE-M12B-4D-H5.5TL-M16	2422430000	L24	SAIE-M12S-4-H5.5TL-M16	2421740000	L22	SAIE-M23-S-VW-VA	1452450000	K.27	SAIE-M12SB-4-FTL	2424320000	L31
SAIE-M12B-4S-13/14SMT	2423110000	L37	SAIE-M12S-4-H5.5TL-PG9	2422100000	L23	SAIE-M23-S-W	1169980000	K.13	SAIE-M12SB-4-HTL	2424350000	L31
SAIE-M12B-4S-9SMT	2422360000	L37	SAIE-M12S-4-T-0.2U-M16	1467950000	D.27	SAIE-M23S-S-EM-M20	1373440000	K.13	SAIE-M8B-3S-H12TL	2424280000	L19
SAIE-M12B-4S-F10TL	2422490000	L33	SAIE-M12S-4-T-0.5U-M16	1460340000	D.27	SAIE-M8B-3-0.5U-FP-M8	1856130000	C.52	SAIE-M8B-3S-H8TL	2424250000	L19
SAIE-M12B-4S-F5.5TL	2422970000	L32	SAIE-M12S-4A-FV-26-LK	2424340000	L47	SAIE-M8B-3-F13SMT	2422230000	L14	SAIE-M8B-4S-H12TL	2424390000	L19
SAIE-M12B-4S-H10TL	2422730000	L33	SAIE-M12S-4A-H-LK	2424210000	L46	SAIE-M8B-3-F13THR	2422830000	L10	SAIE-M8B-4S-H8TL	2424360000	L19
SAIE-M12B-4S-H5.5TL	2423210000	L32	SAIE-M12S-4AS-H6.75TL	2424040000	L26	SAIE-M8B-3-F9SMT	2422200000	L14	SAIE-M8S-3S-H12TL	2424330000	L19
SAIE-M12B-4S-H6.75TL	2421880000	L26	SAIE-M12S-4B-F-LK	2424180000	L46	SAIE-M8B-3-F9THR	2422800000	L10	SAIE-M8S-3S-H8TL	2424300000	L19
SAIE-M12B-4S-TLHW-PG9	1467770000	C.56	SAIE-M12S-4B-FV-20-LK	2424310000	L47	SAIE-M8B-4-0.5U-FP-M8	1856140000	C.52	SAIE-M12B-4S-H12TL	2424450000	L19
SAIE-M12B-5-0.2U-P9.75	1353800000	D.26	SAIE-M12S-4B-FV-26-LK	2424400000	L47	SAIE-M8B-4-H5.5TL	2421610000	L6	SAIE-M8S-4S-H8TL	2424240000	L19
SAIE-M12B-5-0.5U-FP-M16	1856110000	C.49	SAIE-M12S-4B-H12TL-M16	2422400000	L24	SAIE-M8B-4-H6SMT	2422380000	L15	SAIFM-M12B-LF12-M16	2530840000	D.30
SAIE-M12B-5-0.5U-M16	1836910000	C.49	SAIE-M12S-4B-H5.5TL-M16	2422370000	L24	SAIE-M8B-4-H6THR	2422980000	L11	SAIFM-M12B-LH11-M16	2530870000	D.30
SAIE-M12B-5-0.5U-PG9	1814890000	C.50	SAIE-M12S-4BS-H								

Type	Order No.	Page	Type	Order No.	Page	Type	Order No.	Page	Type	Order No.	Page
SAIH-4X0-34-S(PUR)	1357330000	B.77	SAIL-M12BG-S-1.5P	2050160150	D.8	SAIL-M12BW-K-1.5P	2455190150	D.6	SAIL-M12G-TS-5.0U	2617670500	D.12
SAIH-5X0,34(PUR)	1022960000	B.71	SAIL-M12BG-S-10P	2050161000	D.8	SAIL-M12BW-K-10P	2455191000	D.6	SAIL-M12G-USB-3.0U	1268520000	B.35
SAIH-5X0,34(PUR)GE	1345540000	B.76	SAIL-M12BG-S-3.0P	2050163000	D.8	SAIL-M12BW-K-3.0P	2455190300	D.6	SAIL-M12GM12G-12-1.5U	1964400150	B.14
SAIH-5X0,34(PVC)	1412620000	B.74	SAIL-M12BG-S-5.0P	2050160500	D.8	SAIL-M12BW-K-5.0P	2455190500	D.6	SAIL-M12GM12G-2/4-1.5U	9456990150	B.29
SAIH-5X0,34-S(PUR)	1357340000	B.78	SAIL-M12BG-S3-1.5P	2706670100	D.8	SAIL-M12BW-L-1.5PGR	2455200150	D.4	SAIL-M12GM12G-2/4-1.5UGE	1093000150	B.29
SAIH-CD-2X0,34/2X0,22-PUR	1058630000	L.53	SAIL-M12BG-S3-10P	2706671000	D.8	SAIL-M12BW-L-10PGR	2455201000	D.4	SAIL-M12GM12G-2/4-1.5V	1925300150	B.29
SAIH-PB-2XAWG24(PUR)	1232620000	L.7	SAIL-M12BG-S3-3.0P	2706670300	D.8	SAIL-M12BW-L-3.0PGR	2455200300	D.4	SAIL-M12GM12G-3-1.5T	1021710150	B.27
SAIH-PB-PA-2X1,0(PVC)	1232640000	L.26	SAIL-M12BG-S3-5.0P	2706670500	D.8	SAIL-M12BW-L-5.0PGR	2455200500	D.4	SAIL-M12GM12G-3-1.5U	9457230150	B.6
SAIH-PB-PA-2X1,0-PVC-BL	1232630000	L.26	SAIL-M12BG-T-1.5H	2050680150	D.10	SAIL-M12BW-PB-1.5U	1062300150	L.50	SAIL-M12GM12G-3-1.5V	9457230150	B.27
SAIH-SLL-3X0,75-8X0,34-10U	2764930000	B.79	SAIL-M12BG-T-1.5P	2050490150	D.10	SAIL-M12BW-S-1.5P	2050210150	D.8	SAIL-M12GM12G-3-1.5UGE	1093010150	B.27
SAIH-SLL-3X0,75-8X0,34-50U	2764940000	B.79	SAIL-M12BG-T-10H	2050681000	D.10	SAIL-M12BW-S-10P	2050211000	D.8	SAIL-M12GM12G-3-1.5V	1925300150	B.6
SAIH-SLL-3X0,75-16X0,34-50U	2764960000	B.79	SAIL-M12BG-T-10P	2050491000	D.10	SAIL-M12BW-S-3.0P	2050210300	D.8	SAIL-M12GM12G-3-1.5V	1925300150	B.27
SAIH-SLL-3X1,0-16X0,5-10U	2764890000	B.80	SAIL-M12BG-T-3.0H	2050680300	D.10	SAIL-M12BW-S-5.0P	2050210500	D.8	SAIL-M12GM12G-3-10U	9457231000	B.6
SAIH-SLL-3X1,0-16X0,5-50U	2764900000	B.80	SAIL-M12BG-T-3.0P	2050490300	D.10	SAIL-M12BW-S3-1.5P	2050010150	D.8	SAIL-M12GM12G-3-10V	1925301000	B.6
SAIH-SLL-5X0,75-16X0,34-10U	2764970000	B.80	SAIL-M12BG-T-5.0H	2050680500	D.10	SAIL-M12BW-S3-10P	2050011000	D.8	SAIL-M12GM12G-3-3.0U	9457230300	B.6
SAIH-SLL-5X0,75-16X0,34-50U	2764980000	B.80	SAIL-M12BG-T-5.0P	2050490500	D.10	SAIL-M12BW-S3-3.0P	2050010300	D.8	SAIL-M12GM12G-3-3.0V	1925300300	B.6
SAIHG-M8B-M12-10	2424500000	L.4	SAIL-M12BG-TS-5.0U	2671670500	D.12	SAIL-M12BW-S3-5.0P	2050010500	D.8	SAIL-M12GM12G-3-5.0U	9457230500	B.6
SAIHG-M8B-M12-20	2424500000	L.20	SAIL-M12BG-USB-3.0U	1288820300	B.35	SAIL-M12BW-T-1.5H	2050690150	D.10	SAIL-M12GM12G-3-5.0V	1925300500	B.6
SAIHG-M8B-M12-6	2424480000	L.4	SAIL-M12BW-12-1.5U	1898240150	B.14	SAIL-M12BW-T-1.5P	2050560150	D.10	SAIL-M12GM12G-3B-1.5U	1057830150	B.48
SAIHG-M8B-M12-6	2424480000	L.20	SAIL-M12BW-12S1.5U	1424280150	B.15	SAIL-M12BW-T-10H	2050691000	D.10	SAIL-M12GM12G-3S1.5U	1058490150	B.28
SAIHG-M8S-M12-10	2424550000	L.14	SAIL-M12BW-3-1.5T	1968560150	B.11	SAIL-M12BW-T-10P	2050561000	D.10	SAIL-M12GM12G-3-3.0U	1906300030	H.9
SAIHG-M8S-M12-10	2424550000	L.21	SAIL-M12BW-3-1.5U	9457320150	B.7	SAIL-M12BW-T-3.0H	2050690300	D.10	SAIL-M12GM12G-4-0.5U	1906300050	H.9
SAIHG-M8S-M12-6	2424540000	L.4	SAIL-M12BW-3-1.5U	9457320150	B.11	SAIL-M12BW-T-3.0P	2050560300	D.10	SAIL-M12GM12G-4-1.5T	1021730150	B.27
SAIHG-M8S-M12-6	2424540000	L.21	SAIL-M12BW-3-1.5UGE	1092940150	B.11	SAIL-M12BW-T-5.0H	2050690500	D.10	SAIL-M12GM12G-4-1.5TV	2812600150	B.53
SAIL-7/8BG-3-1.5U	1292100150	J.13	SAIL-M12BW-3-1.5V	1925630150	B.7	SAIL-M12BW-T-5.0P	2050560500	D.10	SAIL-M12GM12G-4-1.5U	1906300150	B.6
SAIL-7/8BG-4-1.5U	1292140150	J.13	SAIL-M12BW-3-1.5V	1925630150	B.11	SAIL-M12G-12-1.5U	1311700150	B.14	SAIL-M12GM12G-4-1.5U	1906300150	B.27
SAIL-7/8BG-4-1.5U	1292190150	J.13	SAIL-M12BW-3-10U	9457321000	B.7	SAIL-M12G-3-1.5T	1021750150	B.11	SAIL-M12GM12G-4-1.5U	1906300150	H.9
SAIL-7/8BW-3-1.5U	1292110150	J.13	SAIL-M12BW-3-10V	1925631000	B.7	SAIL-M12G-3-1.5U	9457810150	B.4	SAIL-M12GM12G-4-1.5UGE	1093020150	B.27
SAIL-7/8BW-4-1.5U	1292150150	J.13	SAIL-M12BW-3-3.0U	9457320300	B.7	SAIL-M12G-3-1.5U	9457810150	B.11	SAIL-M12GM12G-4-1.5V	1925310150	B.6
SAIL-7/8BW-5-1.5U	1292200150	J.13	SAIL-M12BW-3-3.0V	1925630300	B.7	SAIL-M12G-3-1.5UGE	1092980150	B.11	SAIL-M12GM12G-4-1.5V	1925310150	B.27
SAIL-7/8G-3-1.5U	1292080150	J.13	SAIL-M12BW-3-5.0U	9457320500	B.7	SAIL-M12G-3-1.5V	1925430150	B.4	SAIL-M12GM12G-4-10U	1906301000	B.6
SAIL-7/8G-4-1.5U	1292120150	J.13	SAIL-M12BW-3-5.0V	1925630500	B.7	SAIL-M12G-3-1.5V	1925430150	B.11	SAIL-M12GM12G-4-10V	1925311000	B.6
SAIL-7/8G-5-1.5U	1292170150	J.13	SAIL-M12BW-3B-1.5U	1061890150	B.47	SAIL-M12G-3-10U	9457811000	B.4	SAIL-M12GM12G-4-3.0U	1906300300	B.6
SAIL-7/8W-3-1.5U	1292090150	J.13	SAIL-M12BW-3L1.5T	1004330150	B.16	SAIL-M12G-3-10V	1925431000	B.4	SAIL-M12GM12G-4-3.0V	1925310300	B.6
SAIL-7/8W-4-1.5U	1292130150	J.13	SAIL-M12BW-3L1.5U	9457800150	B.8	SAIL-M12G-3-3.0U	9457810300	B.4	SAIL-M12GM12G-4-3L1R1.5TV	2812570150	B.54
SAIL-7/8W-5-1.5U	1292180150	J.13	SAIL-M12BW-3L1.5U	9457800150	B.16	SAIL-M12G-3-3.0V	1925430300	B.4	SAIL-M12GM12G-4-5.0U	1906300500	B.6
SAIL-M12BG-12-1.5U	1879710150	B.14	SAIL-M12BW-3L1.5UGE	1114880150	B.16	SAIL-M12G-3-5.0U	9457810500	B.4	SAIL-M12GM12G-4-5.0V	1925310500	B.6
SAIL-M12BG-12S1.5U	1424270150	B.15	SAIL-M12BW-3L1.5V	1925460150	B.8	SAIL-M12G-3-5.0V	1925430500	B.4	SAIL-M12GM12G-4-X.XU	1906300000	B.6
SAIL-M12BG-3-1.5T	1968590150	B.11	SAIL-M12BW-3L1.5V	1925460150	B.16	SAIL-M12G-3B-1.5U	1057770150	B.47	SAIL-M12GM12G-4B-1.5U	1057840150	B.48
SAIL-M12BG-3-1.5U	9457820150	B.6	SAIL-M12BW-3L10U	9457801000	B.8	SAIL-M12G-3S1.5U	1906470150	B.18	SAIL-M12GM12G-4S1.5U	1058500150	B.28
SAIL-M12BG-3-1.5U	9457820150	B.11	SAIL-M12BW-3L10V	1925461000	B.8	SAIL-M12G-4-1.5T	1021770150	B.11	SAIL-M12GM12G-5-0.3U	9457340030	H.9
SAIL-M12BG-3-1.5UGE	1092910150	B.11	SAIL-M12BW-3L3.0U	9457800300	B.8	SAIL-M12G-4-1.5TV	2812550150	B.51	SAIL-M12GM12G-5-0.6U	9457340060	H.9
SAIL-M12BG-3-1.5V	1925570150	B.6	SAIL-M12BW-3L3.0V	1925460300	B.8	SAIL-M12G-4-1.5U	9456100150	B.4	SAIL-M12GM12G-5-1.5T	1011970150	B.52
SAIL-M12BG-3-1.5V	1925570150	B.11	SAIL-M12BW-3L5.0U	9457800500	B.8	SAIL-M12G-4-1.5U	9456100150	B.11	SAIL-M12GM12G-5-1.5TV	2812700150	B.53
SAIL-M12BG-3-10U	9457821000	B.6	SAIL-M12BW-3L5.0V	1925460500	B.8	SAIL-M12G-4-1.5UGE	107750150	B.11	SAIL-M12GM12G-5-1.5TVV	2812800150	B.53
SAIL-M12BG-3-10U	1925571000	B.6	SAIL-M12BW-3S1.5U	1906950150	B.18	SAIL-M12G-4-1.5V	1925440150	B.4	SAIL-M12GM12G-5-1.5U	9457340150	B.7
SAIL-M12BG-3-3.0V	9457820300	B.6	SAIL-M12BW-4-1.5T	1968570150	B.11	SAIL-M12G-4-1.5V	1925440150	B.11	SAIL-M12GM12G-5-1.5V	9457340150	B.27
SAIL-M12BG-3-3.0V	1925570300	B.6	SAIL-M12BW-4-1.5TV	2812540150	B.51	SAIL-M12G-4-10U	9456101000	B.4	SAIL-M12GM12G-5-1.5U	9457340150	H.9
SAIL-M12BG-3-5.0U	9457820500	B.6	SAIL-M12BW-4-1.5U	9457740150	B.7	SAIL-M12G-4-10V	1925441000	B.4	SAIL-M12GM12G-5-1.5UGE	1093030150	B.27
SAIL-M12BG-3-5.0V	1925570500	B.6	SAIL-M12BW-4-1.5U	9457740150	B.11	SAIL-M12G-4-3.0U	9456100300	B.4	SAIL-M12GM12G-5-1.5V	1925320150	B.7
SAIL-M12BG-3B-1.5U	1057740150	B.47	SAIL-M12BW-4-1.5UGE	1092960150	B.11	SAIL-M12G-4-3.0V	1925440300	B.4	SAIL-M12GM12G-5-1.5V	1925320150	B.27
SAIL-M12BG-3L1.5U	1292620150	B.16	SAIL-M12BW-4-1.5V	1925640150	B.7	SAIL-M12G-4-5.0U	9456100500	B.4	SAIL-M12GM12G-5-10U	9457341000	B.7
SAIL-M12BG-3S1.5U	1867410150	B.18	SAIL-M12BW-4-1.5V	1925640150	B.11	SAIL-M12G-4-5.0V	1925440500	B.4	SAIL-M12GM12G-5-10V	1925321000	B.7
SAIL-M12BG-4-1.5T	1968580150	B.11	SAIL-M12BW-4-10U	9457741000	B.7	SAIL-M12G-4B-1.5U	1057780150	B.47	SAIL-M12GM12G-5-3.0U	9457340300	B.7
SAIL-M12BG-4-1.5TV	2812520150	B.51	SAIL-M12BW-4-10V	1925641000	B.7	SAIL-M12G-4S1.5U	1906480150	B.18	SAIL-M12GM12G-5-3.0V	1925320300	B.7
SAIL-M12BG-4-1.5U	9457730150	B.11	SAIL-M12BW-4-2L1.5T	1007000150	B.16	SAIL-M12G-5-1.5T	1021650150	B.11	SAIL-M12GM12G-5-5.0U	9457340500	B.7
SAIL-M12BG-4-1.5U	9457730150	B.6	SAIL-M12BW-4-2L1.5U	9456380150	B.16	SAIL-M12G-5-1.5TV	2812690150	B.51	SAIL-M12GM12G-5-5.0V	1925320500	B.7
SAIL-M12BG-4-1.5UGE	1092920150	B.11	SAIL-M12BW-4-2L1.5U	9456380150	B.16	SAIL-M12G-5-1.5U	9457610150	B.4	SAIL-M12GM12G-5B-1.5U	1057850150	B.48
SAIL-M12BG-4-1.5V	1925580150	B.6	SAIL-M12BW-4-2L1.5UGE	1092950150	B.16	SAIL-M12G-5-1.5U	9457610150	B.11	SAIL-M12GM12G-5S1.5U	1058510150	B.28
SAIL-M12BG-4-1.5V	1925580150	B.11	SAIL-M12BW-4-2L1.5V	1925470150	B.8	SAIL-M12G-5-1.5UGE	1092990150	B.11	SAIL-M12GM12G-6-1.5U	1279440150	B.14
SAIL-M12BG-4-10U	9457731000	B.6	SAIL-M12BW-4-2L1.5V	1925470150	B.16	SAIL-M12G-5-1.5V	1925450150	B.4	SAIL-M12GM12G-6-1.5UGE	1279460150	B.15
SAIL-M12BG-4-10V	1925581000	B.6	SAIL-M12BW-4-2L10U	9456381000	B.8	SAIL-M12G-5-1.5V	1925450150	B.11	SAIL-M12GM12G-CD-1.5A	1964710150	L.51
SAIL-M12BG-4-2L1.0U	1094190200	B.16	SAIL-M12BW-4-2L10V	1925471000	B.8	SAIL-M12G-5-10U	9457611000	B.4	SAIL-M12GM12G-CD-1.5B	1060130150	L.51
SAIL-M12BG-4-3.0U	9457730300	B.6	SAIL-M12BW-4-2L3.0U	9456380300	B.8	SAIL-M12G-5-10V	1925451000	B.4	SAIL-M12GM12G-CD-1.5P	2455250150	D.7
SAIL-M12BG-4-3.0V	1925580300	B.6	SAIL-M12BW-4-2L3.0V	1925470300	B.8	SAIL-M12G-5-3.0U	9457610300	B.4	SAIL-M12GM12G-K-1.0P	2455251000	D.7
SAIL-M12BG-4-5.0U	9457730500	B.6	SAIL-M12BW-4-2L5.0U	9456380500	B.8	SAIL-M12G-5-3.0V	1925450300	B.4	SAIL-M12GM12G-K-3.0P	2455250300	D.7
SAIL-M12BG-4-5.0V	1925580500	B.6	SAIL-M12BW-4-2L5.0V	1925470500	B.8	SAIL-M12G-5-5.0U	9457610500	B.4	SAIL-M12GM12G-K-5.0P	2455250500	D.7
SAIL-M12BG-4B-1.5U	1057750150	B.47	SAIL-M12BW-4-3.0U	9457740300	B.7	SAIL-M12G-5-5.0V	1925450500	B.4	SAIL-M12GM12G-L-1.5PGR	2455260150	D.5
SAIL-M12BG-4S1.5U	1812540150	B.18	SAIL-M12BW-4-3.0V	1925640300	B.7	SAIL-M12G-5B-1.5U	1057790150	B.47	SAIL-M12GM12G-L-10PGR	2455261000	D.5
SAIL-M12BG-5-1.5T	1021670150	B.11	SAIL-M12BW-4-3L1.5U	1963940150	B.16	SAIL-M12G-5S1.5U	1926690150	B.18	SAIL-M12GM12G-L-3.0PGR	2455260300	D.5
SAIL-M12BG-5-1.5TV	2812640150	B.51	SAIL-M12BW-4-3L1.5V	1963940150	B.16	SAIL-M12G-8-1.5U	1279410150	B.14	SAIL-M12GM12G-L-5.0PGR	2455260500	D.5
SAIL-M12BG-5-1.5TVV	2812750150	B.51	SAIL-M12BW-4-3L1R1.5TV	2812530150	B.52						



Type	Order No.	Page	Type	Order No.	Page	Type	Order No.	Page	Type	Order No.	Page
SAIL-M12GM12W-3-1.5V	1925340150	B.7	SAIL-M12GM8G-3-1.5TOV	2812840150	B.57	SAIL-M12W-5-5.0V	1925530500	B.4	SAIL-M12WM12W-5-1.5V	1925400150	B.7
SAIL-M12GM12W-3-1.5V	1925340150	B.27	SAIL-M12GM8G-3-1.5U	9457770150	B.4	SAIL-M12W-5B-1.5U	1057820150	B.47	SAIL-M12WM12W-5-1.5V	1925400150	B.27
SAIL-M12GM12W-3-10U	9457391000	B.7	SAIL-M12GM8G-3-1.5U	9457770150	B.31	SAIL-M12W-5S1.5U	1906520150	B.18	SAIL-M12WM12W-5-10U	9457901000	B.7
SAIL-M12GM12W-3-10V	1925341000	B.7	SAIL-M12GM8G-3-1.5V	1938170150	B.4	SAIL-M12W-8-1.5U	1279420150	B.14	SAIL-M12WM12W-5-10V	1925401000	B.7
SAIL-M12GM12W-3-3.0U	9457390300	B.7	SAIL-M12GM8G-3-1.5V	1938170150	B.31	SAIL-M12W-8S1.5U	1270660150	B.15	SAIL-M12WM12W-5-3.0U	9457900300	B.7
SAIL-M12GM12W-3-3.0V	1925340300	B.7	SAIL-M12GM8G-3-10U	9457771000	B.4	SAIL-M12W-CD-1.5A	1062220150	L.50	SAIL-M12WM12W-5-3.0V	1925400300	B.7
SAIL-M12GM12W-3-5.0U	9457390500	B.7	SAIL-M12GM8G-3-10V	1938171000	B.4	SAIL-M12W-CD-1.5B	1062170150	L.50	SAIL-M12WM12W-5-5.0U	9457900500	B.7
SAIL-M12GM12W-3-5.0V	1925340500	B.7	SAIL-M12GM8G-3-3.0U	9457770300	B.4	SAIL-M12W-K-1.5P	2455230150	D.6	SAIL-M12WM12W-5-5.0V	1925400500	B.7
SAIL-M12GM12W-3B-1.5U	1057900150	B.48	SAIL-M12GM8G-3-3.0V	1938170300	B.4	SAIL-M12W-K-10P	2455231000	D.6	SAIL-M12WM12W-5B-1.5U	1061930150	B.48
SAIL-M12GM12W-3L1.5T	1004320150	B.30	SAIL-M12GM8G-3-5.0U	9457770500	B.4	SAIL-M12W-K-3.0P	2455230300	D.6	SAIL-M12WM12W-5S1.5U	1059740150	B.28
SAIL-M12GM12W-3L1.5U	9457790150	B.80	SAIL-M12GM8G-3-5.0V	1938170500	B.4	SAIL-M12W-K-5.0P	2455230500	D.6	SAIL-M12WM12W-CD-1.5A	1062150150	L.51
SAIL-M12GM12W-3L1.5V	9457790150	B.30	SAIL-M12GM8G-4-1.5TOV	2812980150	B.57	SAIL-M12W-L-1.5PGR	2455240150	D.4	SAIL-M12WM12W-CD-1.5B	1062210150	L.51
SAIL-M12GM12W-3L1.5V	1925410150	B.8	SAIL-M12GM8G-4-1.5U	9456860150	B.5	SAIL-M12W-L-10PGR	2455241000	D.4	SAIL-M12WM12W-K-1.5P	2455290150	D.7
SAIL-M12GM12W-3L1.5V	1925410150	B.30	SAIL-M12GM8G-4-1.5U	9456860150	B.31	SAIL-M12W-L-3.0PGR	2455240300	D.4	SAIL-M12WM12W-K-10P	2455291000	D.7
SAIL-M12GM12W-3L10U	9457791000	B.8	SAIL-M12GM8G-4-1.5V	1938200150	B.5	SAIL-M12W-L-5.0PGR	2455240500	D.4	SAIL-M12WM12W-K-3.0P	2455293000	D.7
SAIL-M12GM12W-3L10V	1925411000	B.8	SAIL-M12GM8G-4-1.5V	1938200150	B.31	SAIL-M12W-PB-1.5U	1061970150	L.4	SAIL-M12WM12W-K-5.0P	2455290500	D.7
SAIL-M12GM12W-3L3.0U	9457790300	B.8	SAIL-M12GM8G-4-10U	9456861000	B.5	SAIL-M12W-S-1.5P	2050260150	D.8	SAIL-M12WM12W-L-1.5PGR	2455300150	D.5
SAIL-M12GM12W-3L3.0V	1925410300	B.8	SAIL-M12GM8G-4-10V	1938201000	B.5	SAIL-M12W-S-10P	2050261000	D.8	SAIL-M12WM12W-L-10PGR	2455301000	D.5
SAIL-M12GM12W-3L5.0U	9457790500	B.8	SAIL-M12GM8G-4-3.0U	9456860300	B.5	SAIL-M12W-S-3.0P	2050260300	D.8	SAIL-M12WM12W-L-3.0PGR	2455300300	D.5
SAIL-M12GM12W-3L5.0V	1925410500	B.8	SAIL-M12GM8G-4-3.0V	1938200300	B.5	SAIL-M12W-S-5.0P	2050260500	D.8	SAIL-M12WM12W-L-5.0PGR	2455300500	D.5
SAIL-M12GM12W-3S1.5U	1059470150	B.28	SAIL-M12GM8G-4-5.0U	9456860500	B.5	SAIL-M12W-S-1.5P	2050050150	D.8	SAIL-M12WM12W-PB-1.5U	1062330150	L.5
SAIL-M12GM12W-4-1.5T	1021740150	B.27	SAIL-M12GM8G-4-5.0V	1938200500	B.5	SAIL-M12W-S3-10P	2050051000	D.8	SAIL-M12WM12W-S-1.5P	2050470150	D.9
SAIL-M12GM12W-4-1.5TOV	2812630150	B.53	SAIL-M12GM8G-3-1.5U	1984530150	B.32	SAIL-M12W-S3-3.0P	2050050300	D.8	SAIL-M12WM12W-S-10P	2050471000	D.9
SAIL-M12GM12W-4-1.5U	9457310150	B.7	SAIL-M12GM8W-3-1.5TOV	2812850150	B.57	SAIL-M12W-S3-5.0P	2050050500	D.8	SAIL-M12WM12W-S-3.0P	2050470300	D.9
SAIL-M12GM12W-4-1.5U	9457310150	B.27	SAIL-M12GM8W-3-1.5U	9457980150	B.5	SAIL-M12W-T-1.5H	2050710150	D.10	SAIL-M12WM12W-S-5.0P	2050470500	D.9
SAIL-M12GM12W-4-1.5UGE	1093070150	B.27	SAIL-M12GM8W-3-1.5U	9457980150	B.31	SAIL-M12W-T-1.5P	2050650150	D.10	SAIL-M12WM12W-S-1.5P	2050510150	D.9
SAIL-M12GM12W-4-1.5V	1925350150	B.7	SAIL-M12GM8W-3-1.5V	1938180150	B.5	SAIL-M12W-T-10H	2050711000	D.10	SAIL-M12WM12W-S3-10P	2050510000	D.9
SAIL-M12GM12W-4-1.5V	1925350150	B.27	SAIL-M12GM8W-3-1.5V	1938180150	B.31	SAIL-M12W-T-10P	2050651000	D.10	SAIL-M12WM12W-S3-3.0P	2050510300	D.9
SAIL-M12GM12W-4-10U	9457311000	B.7	SAIL-M12GM8W-3-10U	9457981000	B.5	SAIL-M12W-T-3.0H	2050710300	D.10	SAIL-M12WM12W-S3-5.0P	2050510500	D.9
SAIL-M12GM12W-4-10V	1925351000	B.7	SAIL-M12GM8W-3-10V	1938181000	B.5	SAIL-M12W-T-3.0P	2050650300	D.10	SAIL-M12WM12W-T-1.5H	2050920150	D.11
SAIL-M12GM12W-4-2L1.5T	1004310150	B.30	SAIL-M12GM8W-3-3.0U	9457980300	B.5	SAIL-M12W-T-5.0H	2050710500	D.10	SAIL-M12WM12W-T-1.5P	2050860150	D.11
SAIL-M12GM12W-4-2L1.5U	1906410150	B.8	SAIL-M12GM8W-3-3.0V	1938180300	B.5	SAIL-M12W-T-5.0U	2050650500	D.10	SAIL-M12WM12W-T-10H	2050921000	D.11
SAIL-M12GM12W-4-2L1.5U	1906410150	B.30	SAIL-M12GM8W-3-5.0U	9457980500	B.5	SAIL-M12W-T-6.0P	1821050150	B.6	SAIL-M12WM12W-T-10P	2050861000	D.11
SAIL-M12GM12W-4-2L1.5V	1925420150	B.8	SAIL-M12GM8W-3-5.0V	1938180500	B.5	SAIL-M12WM12G-3-1.5U	1821051000	B.6	SAIL-M12WM12W-T-3.0P	2050920300	D.11
SAIL-M12GM12W-4-2L1.5V	1925420150	B.30	SAIL-M12GM8W-3L1.5TOV	2812950150	B.56	SAIL-M12WM12G-3-10U	1821050300	B.6	SAIL-M12WM12W-T-3.0P	2050860300	D.11
SAIL-M12GM12W-4-2L10U	1906411000	B.8	SAIL-M12GM8W-3L1.5U	9457760150	B.5	SAIL-M12WM12G-3-10U	1821050500	B.6	SAIL-M12WM12W-T-5.0P	2050920500	D.11
SAIL-M12GM12W-4-2L10V	1925421000	B.8	SAIL-M12GM8W-3L1.5U	9457760150	B.34	SAIL-M12WM12G-3B-1.5U	1057870150	B.48	SAIL-M12WM12W-T-5.0P	2050860500	D.11
SAIL-M12GM12W-4-2L3.0U	1906410300	B.8	SAIL-M12GM8W-3L1.5UGE	1093110150	B.34	SAIL-M12WM12G-4-1.5U	1071990150	B.6	SAIL-M12WM8G-3-1.5U	1304740150	B.4
SAIL-M12GM12W-4-2L3.0V	1925420300	B.8	SAIL-M12GM8W-3L1.5U	1962290150	B.34	SAIL-M12WM12G-4-10U	1071991000	B.6	SAIL-M12WM8G-3-3.0U	1304740300	B.4
SAIL-M12GM12W-4-2L5.0U	1906410500	B.8	SAIL-M12GM8W-3L10U	9457761000	B.5	SAIL-M12WM12G-4-3.0U	1071990300	B.6	SAIL-M12WM8G-4-1.5U	1437510150	B.5
SAIL-M12GM12W-4-2L5.0V	1925420500	B.8	SAIL-M12GM8W-3L3.0U	9457760300	B.5	SAIL-M12WM12G-4-5.0U	1071990500	B.6	SAIL-M12WM8G-4-10U	1437511000	B.5
SAIL-M12GM12W-4-2LX.XU	1906410000	B.8	SAIL-M12GM8W-3L5.0U	9457760500	B.5	SAIL-M12WM12G-4B-1.5U	1057880150	B.48	SAIL-M12WM8G-4-3.0U	1437510300	B.5
SAIL-M12GM12W-4-3.0U	9457310300	B.7	SAIL-M12GM8W-4-1.5TOV	2812970150	B.57	SAIL-M12WM12G-5-1.5U	9456500150	B.7	SAIL-M12WM8G-4-5.0U	1437510500	B.5
SAIL-M12GM12W-4-3.0V	1925350300	B.7	SAIL-M12GM8W-4-1.5U	9456870150	B.5	SAIL-M12WM12G-5-10U	9456501000	B.7	SAIL-M12WM8W-3-1.5U	1906330150	B.5
SAIL-M12GM12W-4-3.10U	1963910150	B.30	SAIL-M12GM8W-4-1.5U	9456870150	B.31	SAIL-M12WM12G-5-3.0U	9456500300	B.7	SAIL-M12WM8W-3-1.5U	1906330150	B.31
SAIL-M12GM12W-4-3L1.5U	19639300150	B.30	SAIL-M12GM8W-4-1.5V	1938210150	B.5	SAIL-M12WM12G-5-5.0U	9456500500	B.7	SAIL-M12WM8W-3-1.5V	1938190150	B.5
SAIL-M12GM12W-4-3L1R1.5TOV	2812610150	B.54	SAIL-M12GM8W-4-1.5V	1938210150	B.31	SAIL-M12WM12G-5B-1.5U	1057890150	B.48	SAIL-M12WM8W-3-1.5V	1938190150	B.31
SAIL-M12GM12W-4-3LW1.5T	1020930150	B.30	SAIL-M12GM8W-4-10U	9456871000	B.5	SAIL-M12WM12G-8S1.5U	1373680150	B.15	SAIL-M12WM8W-3-10U	1906331000	B.5
SAIL-M12GM12W-4-3LW1.5UGE	1093060150	B.30	SAIL-M12GM8W-4-10V	1938211000	B.5	SAIL-M12WM12G-K-1.5P	2455310150	D.7	SAIL-M12WM8W-3-10V	1938191000	B.5
SAIL-M12GM12W-4-5.0U	9457310500	B.7	SAIL-M12GM8W-4-3.0U	9456870300	B.5	SAIL-M12WM12G-K-10P	2455311000	D.7	SAIL-M12WM8W-3-3.0U	1906330300	B.5
SAIL-M12GM12W-4-5.0V	1925350500	B.7	SAIL-M12GM8W-4-3.0V	1938210300	B.5	SAIL-M12WM12G-K-3.0P	2455310300	D.7	SAIL-M12WM8W-3-3.0V	1938190300	B.5
SAIL-M12GM12W-4B-1.5U	1057910150	B.48	SAIL-M12GM8W-4-5.0U	9456870500	B.5	SAIL-M12WM12G-K-6.0P	2455310500	D.7	SAIL-M12WM8W-3-5.0U	1906330500	B.5
SAIL-M12GM12W-4S1.5U	1059480150	B.28	SAIL-M12GM8W-4-5.0V	1938210500	B.5	SAIL-M12WM12G-L-1.5PGR	2455320150	D.5	SAIL-M12WM8W-3-5.0V	1938190500	B.5
SAIL-M12GM12W-5-1.5T	1011990150	B.27	SAIL-M12GM8W-4L1.5U	1906430150	B.34	SAIL-M12WM12G-L-10PGR	2455321000	D.5	SAIL-M12WM8W-3-X.U	1906330000	B.5
SAIL-M12GM12W-5-1.5TOV	2812730150	B.53	SAIL-M12GM8W-4L1.5UGE	1093130150	B.34	SAIL-M12WM12G-L-3.0PGR	2455320300	D.5	SAIL-M12WM8W-4-1.5U	1906340150	B.5
SAIL-M12GM12W-5-1.5TYV	2812820150	B.53	SAIL-M12GM8W-4L1.5U	1962300150	B.34	SAIL-M12WM12G-L-5.0PGR	2455320500	D.5	SAIL-M12WM8W-4-1.5U	1906340150	B.31
SAIL-M12GM12W-5-1.5U	9457270150	B.5	SAIL-M12GM8W-3-1.5U	9457570150	B.32	SAIL-M12WM12G-S-1.5P	2050350150	D.9	SAIL-M12WM8W-4-1.5V	1938220150	B.5
SAIL-M12GM12W-5-1.5U	9457270150	B.27	SAIL-M12GM8W-3-1.5V	1093150150	B.32	SAIL-M12WM12G-S-10P	2050351000	D.9	SAIL-M12WM8W-4-1.5V	1938220150	B.31
SAIL-M12GM12W-5-1.5UGE	1093080150	B.27	SAIL-M12GM8W-3-1.5V	1311690150	B.14	SAIL-M12WM12G-S-3.0P	2050350300	D.9	SAIL-M12WM8W-4-10U	1906341000	B.5
SAIL-M12GM12W-5-1.5V	1925360150	B.7	SAIL-M12W-3-1.5T	1021760150	B.11	SAIL-M12WM12G-S-5.0P	2050350500	D.9	SAIL-M12WM8W-4-10V	1938221000	B.5
SAIL-M12GM12W-5-1.5V	1925360150	B.27	SAIL-M12W-3-1.5U	9456890150	B.4	SAIL-M12WM12G-S3-1.5P	2050080150	D.9	SAIL-M12WM8W-4-3.0U	1906340300	B.5
SAIL-M12GM12W-5-10U	9457271000	B.7	SAIL-M12W-3-1.5U	9456890150	B.11	SAIL-M12WM12G-S3-10P	2050081000	D.9	SAIL-M12WM8W-4-3.0V	1938220300	B.5
SAIL-M12GM12W-5-10V	1925361000	B.7	SAIL-M12W-3-1.5UGE	1093160150	B.11	SAIL-M12WM12G-S3-3.0P	2050080300	D.9	SAIL-M12WM8W-4-5.0U	1906340500	B.5
SAIL-M12GM12W-5-3.0U	9457270300	B.7	SAIL-M12W-3-1.5V	192510150	B.4	SAIL-M12WM12G-S3-5.0P	2050080500	D.9	SAIL-M12WM8W-4-5.0V	1938220500	B.5
SAIL-M12GM12W-5-3.0V	1925360300	B.7	SAIL-M12W-3-1.5V	192510150	B.11	SAIL-M12WM12G-T-1.5H	2050890150	D.11	SAIL-M12WM8W-4-X.U	1906340000	B.5
SAIL-M12GM12W-5-3L1R1.5TOV	2812720150	B.54	SAIL-M12W-3-10U	9456891000	B.4	SAIL-M12WM12G-T-1.5P	2050820150	D.11	SAIL-M12WM8W-4-10U	1259010150	B.25
SAIL-M12GM12W-5-5.0U	9457270500	B.7	SAIL-M12W-3-10V	1925111000	B.4	SAIL-M12WM12G-T-10H	2050891000	D.11	SAIL-M23-KSW-7/12	1169300000	K.12
SAIL-M12GM12W-5-5.0V	1925360500	B.7	SAIL-M12W-3-3.0U	9456890300	B.4	SAIL-M12WM12G-T-10P	2050821000	D.11	SAIL-M8BG-3-1.5TOV	2812880150	B.55
SAIL-M12GM12W-5B-1.5U	1057920150	B.48	SAIL-M12W-3-3.0V	1925103000	B.4	SAIL-M12WM12G-T3-3.0H	2050890300	D.11	SAIL-M8BG-3-1.5U	9457450150	B.4
SAIL-M12GM12W-5S1.5U	1059540150	B.28	SAIL-M12W-3-5.0U	9456890500	B.4	SAIL-M12WM12G-T3-3.0P	2050820300	D.11	SAIL-M8BG-3-1.5U	9457450150	B.20
SAIL-M12GM12W-8-1.5U	1279450150	B.14	SAIL-M12W-3-5.0V	1925105000	B.4	SAIL-M12WM12G-T5-0.5H	2050890500	D.11	SAIL-M8BG-3-1.5UGE	1093190150	B.20
SAIL-M12GM12W-8S1.5U	127940150	B.15	SAIL-M12W-3B-1.5U	1057800150	B.47	SAIL					

Type	Order No.	Page	Type	Order No.	Page	Type	Order No.	Page	Type	Order No.	Page
SAIL-M8BGR-3-1.5U	1827020150	B.22	SAIL-M8GM12G-4-1.5U	1937980150	B.6	SAIL-M8GM8W-4-1.5U	1857660150	B.36	SAIL-M8WM8WR-4-1.5U	1948520150	B.37
SAIL-M8BGR-3-1.5V	1948710150	B.22	SAIL-M8GM12G-4-1.5V	1938260150	B.6	SAIL-M8GM8W-4-1.5V	1927180150	B.5	SAIL-M8WM8WR-4-1.5V	1948700150	B.37
SAIL-M8BGR-4-1.5U	1948530150	B.22	SAIL-M8GM12G-4-10U	1937981000	B.6	SAIL-M8GM8W-4-1.5U	1927180150	B.36	SAIL-VSA-1.5U	9457710150	B.61
SAIL-M8BGR-4-1.5V	1948730150	B.22	SAIL-M8GM12G-4-10V	1938261000	B.6	SAIL-M8GM8W-4-10U	1857661000	B.6	SAIL-VSA-1.5U(0.5)	1845120150	B.61
SAIL-M8BGS-3-X.U	9457450000	B.4	SAIL-M8GM12G-4-3.0U	1937980300	B.6	SAIL-M8GM8W-4-10V	1927181000	B.5	SAIL-VSA-DS-1.5U	1896990150	B.61
SAIL-M8BW-3-1.5TDV	2812940150	B.55	SAIL-M8GM12G-4-3.0V	1938260300	B.6	SAIL-M8GM8W-4-3.0U	1857660300	B.5	SAIL-VSA-DS-M12G-1.5U	1316550150	B.61
SAIL-M8BW-3-1.5U	9457380150	B.5	SAIL-M8GM12G-4-5.0U	1937980500	B.6	SAIL-M8GM8W-4-3.0V	1927180300	B.5	SAIL-VSA-M12G-1.5U	9457040000	B.61
SAIL-M8BW-3-1.5V	9457380150	B.20	SAIL-M8GM12G-4-5.0V	1938260500	B.6	SAIL-M8GM8W-4-5.0U	1857660500	B.5	SAIL-VSA-M12W-1.5U	1857690150	B.61
SAIL-M8BW-3L1.5UGE	1093220150	B.20	SAIL-M8GM12W-3-1.5U	1937960150	B.7	SAIL-M8GM8W-4-5.0V	1927180500	B.5	SAIL-VSA-M8G-3-1.5U	1099760150	B.63
SAIL-M8BW-3L1.5V	1927320150	B.5	SAIL-M8GM12W-3-1.5V	1938240150	B.7	SAIL-M8GM8W-4-X.X.U	1857660000	B.5	SAIL-VSA-M8W-3-1.5U	1026190150	B.63
SAIL-M8BW-3L1.5V	1927320150	B.20	SAIL-M8GM12W-3-10U	1937961000	B.7	SAIL-M8GM8W-4L1.5U	1906450150	B.38	SAIL-VAV-230V-1.5U	1549100150	B.62
SAIL-M8BW-3L10U	9457381000	B.5	SAIL-M8GM12W-3-10V	1938241000	B.7	SAIL-M8GM8W-4L1.5V	1927200150	B.38	SAIL-VAV-3.0U	1525690300	B.62
SAIL-M8BW-3L10V	1927321000	B.5	SAIL-M8GM12W-3-3.0U	1937960300	B.7	SAIL-M8GM8WR-3-1.5U	1948480150	B.37	SAIL-VSB-1.5U	9457930150	B.64
SAIL-M8BW-3-3.0U	9457380300	B.5	SAIL-M8GM12W-3-3.0V	1938240300	B.7	SAIL-M8GM8WR-3-1.5V	1948660150	B.37	SAIL-VSB-180-1.5U(0.5)	1845140150	B.65
SAIL-M8BW-3-3.0V	1927320300	B.5	SAIL-M8GM12W-3-5.0U	1937960500	B.7	SAIL-M8GM8WR-4-1.5U	1948510150	B.37	SAIL-VSB-M12G-1.5U	9457680150	B.64
SAIL-M8BW-3-5.0U	9457380500	B.5	SAIL-M8GM12W-3-5.0V	1938240500	B.7	SAIL-M8GM8WR-4-1.5V	1948690150	B.37	SAIL-VSB-M12W-1.5U	1857700150	B.64
SAIL-M8BW-3-5.0V	1927320500	B.5	SAIL-M8GM12W-4-1.5U	1937990150	B.7	SAIL-M8GRJ45-4S0.5UIE	1201210050	L61	SAIL-VSB-M8G-3-1.5U	12271590150	B.66
SAIL-M8BW-3L1.5TDV	2812910150	B.56	SAIL-M8GM12W-4-1.5V	1938270150	B.7	SAIL-M8GRJ45-4S10UIE	1201211000	L61	SAIL-VSB-M8W-3-1.5U	1026180150	B.66
SAIL-M8BW-3L1.5U	9457460150	B.5	SAIL-M8GM12W-4-10U	1937991000	B.7	SAIL-M8GRJ45-4S15UIE	1201211500	L61	SAIL-VSBD-1.5U	9456070150	B.64
SAIL-M8BW-3L1.5U	9457460150	B.24	SAIL-M8GM12W-4-10V	1938271000	B.7	SAIL-M8GRJ45-4S20UIE	1201212020	L61	SAIL-VSBD-180-1.5U(0.5)	1845160150	B.65
SAIL-M8BW-3L1.5UGE	1093210150	B.24	SAIL-M8GM12W-4-3.0U	1937990300	B.7	SAIL-M8GRJ45-4S20UIE	1201212000	L61	SAIL-VSBD-M12G-1.5U	9457780150	B.64
SAIL-M8BW-3L1.5V	1927350150	B.5	SAIL-M8GM12W-4-3.0V	1938270300	B.7	SAIL-M8GRJ45-4S30UIE	1201213000	L61	SAIL-VSBD-M12W-1.5U	1857710150	B.64
SAIL-M8BW-3L1.5V	1927350150	B.24	SAIL-M8GM12W-4-5.0U	1937990500	B.7	SAIL-M8GRJ45-4S40UIE	1201214000	L61	SAIL-VSBD-M8G-3-1.5U	1099770150	B.66
SAIL-M8BW-3L10U	9457461000	B.5	SAIL-M8GM12W-4-5.0V	1938270500	B.7	SAIL-M8GRJ45-4S50UIE	1201210500	L61	SAIL-VSBD180-M8G-3-1.5U	1276450150	B.66
SAIL-M8BW-3L10V	1927351000	B.5	SAIL-M8GM8G-3-1.5U	1824570150	B.4	SAIL-M8GRJ45-4S75UIE	1201210750	L61	SAIL-VSC-1.5U	9457920150	B.67
SAIL-M8BW-3L3.0U	9457460300	B.5	SAIL-M8GM8G-3-1.5V	1824570150	B.36	SAIL-M8W-3-1.5U	1857550150	B.4	SAIL-VSC-M12G-1.5U	9457400150	B.67
SAIL-M8BW-3L3.0V	1927350300	B.5	SAIL-M8GM8G-3-1.5UGE	1104470150	B.36	SAIL-M8W-3-1.5V	1857550150	B.20	SAIL-VSC-M12W-1.5U	1857720150	B.67
SAIL-M8BW-3L5.0U	9457460500	B.5	SAIL-M8GM8G-3-1.5V	1927150150	B.4	SAIL-M8W-3-1.5V	1927310150	B.4	SAIL-VSC-M8G-1.5U	1309680015	B.68
SAIL-M8BW-3L5.0V	1927350500	B.5	SAIL-M8GM8G-3-1.5V	1927150150	B.36	SAIL-M8W-3-1.5V	1927310150	B.20	SAIL-VSCD-1.5U	9456240150	B.67
SAIL-M8BW-3L1.5TDV	1906820150	B.23	SAIL-M8GM8G-3-10U	1824571000	B.4	SAIL-M8W-3-10U	1857551000	B.4	SAIL-VSCD-M12G-1.5U	9456170150	B.67
SAIL-M8BW-4-1.5TDV	2813040150	B.55	SAIL-M8GM8G-3-10V	1927151000	B.4	SAIL-M8W-3-10V	1927311000	B.4	SAIL-VSCD-M12W-1.5U	1857730150	B.67
SAIL-M8BW-4-1.5U	9456150150	B.24	SAIL-M8GM8G-3-3.0U	1824570300	B.4	SAIL-M8W-3-3.0U	1857550300	B.4	SAIL-VSCD-M8G-0.15U	1916700015	B.68
SAIL-M8BW-4-1.5U	9456150150	B.20	SAIL-M8GM8G-3-3.0V	1927150300	B.4	SAIL-M8W-3-3.0V	1927310300	B.4	SAIL-VSCD-M8G-3-1.5U	1916700150	B.68
SAIL-M8BW-4-1.5UGE	1093240150	B.20	SAIL-M8GM8G-3-5.0U	1824570500	B.4	SAIL-M8W-3-5.0U	1857550500	B.4	SAIL-ZB-3-1.5U	1106800150	B.19
SAIL-M8BW-4-1.5V	1927340150	B.5	SAIL-M8GM8G-3-5.0V	1927150500	B.4	SAIL-M8W-3-5.0V	1927310500	B.4	SAIL-ZB-3-1.5V	1964310150	B.19
SAIL-M8BW-4-1.5V	1927340150	B.20	SAIL-M8GM8G-3-X.X.U	1824570000	B.4	SAIL-M8W-3-X.X.U	1857550000	B.4	SAIL-ZW-M12BG-2/4-1.5U	1812550150	B.41
SAIL-M8BW-4-10U	9456151000	B.5	SAIL-M8GM8G-3L1.0U	1550230100	B.38	SAIL-M8W-3S1.5U	1906580150	B.23	SAIL-ZW-M12BG-3-1.5U	1005460150	B.41
SAIL-M8BW-4-10V	1927341000	B.5	SAIL-M8GM8G-4-1.5U	1880470150	B.5	SAIL-M8W-4-1.5U	1857560150	B.4	SAIL-ZW-M12BW-2/4-1.5U	1964280150	B.41
SAIL-M8BW-4-3.0U	9456150300	B.5	SAIL-M8GM8G-4-1.5U	1880470150	B.36	SAIL-M8W-4-1.5U	1857560150	B.20	SAIL-ZW-M12BW-2/4L1.5U	1964290150	B.43
SAIL-M8BW-4-3.0V	1927340300	B.5	SAIL-M8GM8G-4-1.5UGE	1469360150	B.36	SAIL-M8W-4-1.5V	1927330150	B.4	SAIL-ZW-M12BW-3-1.5U	1005270150	B.41
SAIL-M8BW-4-5.0U	9456150500	B.5	SAIL-M8GM8G-4-1.5V	1927160150	B.5	SAIL-M8W-4-1.5V	1927330150	B.20	SAIL-ZW-M12BW-3L1.5U	19112110150	B.43
SAIL-M8BW-4-5.0V	1927340500	B.5	SAIL-M8GM8G-4-1.5V	1927160150	B.36	SAIL-M8W-4-1.5V	1857561000	B.4	SAIL-ZW-M8BG-3-1.5U	9457490150	B.42
SAIL-M8BW-4-X.X.U	9456150000	B.5	SAIL-M8GM8G-4-10U	1880471000	B.5	SAIL-M8W-4-10V	1927331000	B.4	SAIL-ZW-M8BG-3-1.5UGE	1093250150	B.42
SAIL-M8BW-4L1.5U	1906400150	B.24	SAIL-M8GM8G-4-10V	1927161000	B.5	SAIL-M8W-4-3.0U	1857560300	B.4	SAIL-ZW-M8BW-3-1.5U	1964300150	B.42
SAIL-M8BW-4L1.5UGE	1093230150	B.24	SAIL-M8GM8G-4-3.0U	1880470300	B.5	SAIL-M8W-4-3.0U	1927330300	B.4	SAIL-ZW-M8BW-3-1.5UGE	1093260150	B.42
SAIL-M8BW-4L1.5U	1927360150	B.24	SAIL-M8GM8G-4-3.0V	1927160300	B.5	SAIL-M8W-4-5.0U	1857560500	B.4	SAIL-ZW-M8BW-3L1.5U	9457410150	B.44
SAIL-M8BW-4S1.5U	1906630150	B.23	SAIL-M8GM8G-4-5.0U	1880470500	B.5	SAIL-M8W-4-5.0V	1927330500	B.4	SAIP-M12BG-3-1.5U	1108730150	B.12
SAIL-M8BW-4S1.5V	1906630150	B.23	SAIL-M8GM8G-4-5.0V	1880470500	B.5	SAIL-M8W-4-5.0V	1927330500	B.4	SAIP-M12BG-4-1.5U	1108740150	B.12
SAIL-M8BW-5-1.5U	2466460150	B.21	SAIL-M8GM8G-4-X.X.U	1880470000	B.5	SAIL-M8W-4-X.X.U	1857560000	B.4	SAIP-M12BG-5-1.5U	1108750150	B.12
SAIL-M8BW-8-1.5U	1555380150	B.21	SAIL-M8GM8G-4-X.X.U	1880470000	B.5	SAIL-M8W-4S1.5U	1906590150	B.23	SAIP-M12BG-6-1.5U	1108750150	B.12
SAIL-M8BWR-3-1.5U	1827010150	B.22	SAIL-M8GM8G-4S-0.3U	1981900030	L52	SAIL-M8W-5-1.5U	2466630150	B.21	SAIP-M12BW-3-1.5U	1108770150	B.12
SAIL-M8BWR-3-1.5V	1948720150	B.22	SAIL-M8GM8G-4S-1.0U	1981900100	L52	SAIL-M8W-8-1.5U	1555340150	B.21	SAIP-M12BW-4-1.5U	1108780150	B.12
SAIL-M8BWR-4-1.5U	1948540150	B.22	SAIL-M8GM8G-4S-1.5U	1981900150	L52	SAIL-M8WM12G-4-5.0U	1513130500	B.6	SAIP-M12BW-5-1.5U	1108790150	B.12
SAIL-M8BWR-4-1.5V	1948740150	B.22	SAIL-M8GM8G-4S-10U	1981901000	L52	SAIL-M8WM12W-3-1.5U	1937970150	B.7	SAIP-M12W-3-1.5U	1108800150	B.12
SAIL-M8BWS-3-X.X.U	9457380500	B.5	SAIL-M8GM8G-4S-15U	1981901500	L52	SAIL-M8WM12W-3-3.0U	1938250150	B.7	SAIP-M12G-4-1.5U	1108810150	B.12
SAIL-M8G-3-1.5U	1824590150	B.4	SAIL-M8GM8G-4S-20U	1981902000	L52	SAIL-M8WM12W-3-10U	1937971000	B.7	SAIP-M12G-5-1.5U	1108820150	B.12
SAIL-M8G-3-1.5U	1824590150	B.20	SAIL-M8GM8G-4S-3.0U	1981900300	L52	SAIL-M8WM12W-3-10V	1938251000	B.7	SAIL-M12GM8W-3-1.5U	1220620150	B.33
SAIL-M8G-3-1.5V	1927230150	B.4	SAIL-M8GM8G-4S-5.0U	1981900500	L52	SAIL-M8WM12W-3-3.0U	1937970300	B.7	SAIP-M12W-3-1.5U	1108670150	B.12
SAIL-M8G-3-1.5V	1927230150	B.20	SAIL-M8GM8G-4S-10U	1948470150	B.37	SAIL-M8WM12W-3-3.0V	1938250300	B.7	SAIP-M12W-4-1.5U	1108680150	B.12
SAIL-M8G-3-10U	1824591000	B.4	SAIL-M8GM8G-4S-15U	194850150	B.37	SAIL-M8WM12W-3-5.0U	1937970500	B.7	SAIP-M12W-5-1.5U	1108690150	B.12
SAIL-M8G-3-10V	1927231000	B.4	SAIL-M8GM8G-4-1.5U	1948500150	B.37	SAIL-M8WM12W-3-5.0V	1938250500	B.7	SAIS 4/9-VA D-COD	1920700001	C.25
SAIL-M8G-3-3.0U	1824590300	B.4	SAIL-M8GM8G-4-1.5V	1948880150	B.37	SAIL-M8WM12W-4-1.5U	1938000150	B.7	SAIS 4/9-VA D-COD	1920700001	C.25
SAIL-M8G-3-3.0V	1927230300	B.4	SAIL-M8GM8G-4S-0.1UIE	1160930010	L61	SAIL-M8WM12W-4-1.5V	1938280150	B.7	SAIS 5/9-VA	1920700000	C.25
SAIL-M8G-3-5.0U	1824590500	B.4	SAIL-M8GM8G-4S-0.3UIE	1160930030	L61	SAIL-M8WM12W-4-10U	1938001000	B.7	SAIS 5/9-VA	1920700000	L.28
SAIL-M8G-3-5.0V	1927230500	B.4	SAIL-M8GM8G-4S-0.5UIE	1160930050	L61	SAIL-M8WM12W-4-10V	1938281000	B.7	SAIS 5/9-VA-B-COD	1920720000	C.25
SAIL-M8G-3-X.X.U	1824590000	B.4	SAIL-M8GM8G-4S1.0UIE	1160930100	L61	SAIL-M8WM12W-4-3.0U	1938000300	B.7	SAIS 5/9-VA-B-COD	1920720000	L.8
SAIL-M8G-3S1.5U	1906560150	B.23	SAIL-M8GM8G-4S10UIE	1160931000	L61	SAIL-M8WM12W-4-3.0V	1938280300	B.7	SAIS 12/9(TL)	1924950000	C.5
SAIL-M8G-4-1.5U	1906270150	B.4	SAIL-M8GM8G-4S15UIE	1160931000	L61	SAIL-M8WM12W-4-5.0U	1938000500	B.7	SAIS 12/9(TL)	1924950000	C.25
SAIL-M8G-4-1.5U	1906270150	B.20	SAIL-M8GM8G-4S20UIE	1160930200	L61	SAIL-M8WM12W-4-5.0V	1938280500	B.7	SAIS 2-IDC-M12B-COD	1864730000	C.21
SAIL-M8G-4-1.5V	1927250150	B.4	SAIL-M8GM8G-4S20UIE	1160932000	L61	SAIL-M8WM12W-3-1.5U	1073020150	B.4	SAIS 2-IDC-M12B-COD	1864730000	L.10
SAIL-M8G-4-1.5V	1927250150	B.20	SAIL-M8GM8G-4S3.0UIE	1160930300	L61	SAIL-M8WM8G-3-10U	1073021000	B.4	SAIS 3-PE/11-S-COD	1391990000	D.15
SAIL-M8G-4-10U	1906271000	B.4	SAIL-M8GM8G-4S30UIE	1160933000	L61	SAIL-M8WM8G-3-3.0U	1073020300	B.4	SAIS 3-4-5-IDC(0.75)M12	1852720000	C.28
SAIL-M8G-4-10V	1927251000	B.4	SAIL-M8GM8G-4S4.0UIE	1160930400	L61	SAIL-M8WM8G-3-5.0U	1073020500	B.4	SAIS 3-IDC M8 SMALL	1784040001	C.31
SAIL-M8G-4-3.0U	1906270300	B.4	SAIL-M8GM8G-4S40UIE	1160930000	L61	SAIL-M8WM8G-4-1.5U	1535470150	B.5	SAIS 3-IDC M8 SMALL	1784040001	C.31
SAIL-M8G-4-3.0V	1927250300	B.4	SAIL-M8GM8G-4S5.0UIE	1160930500	L61	SAIL-M8WM8G-4-					

Type	Order No.	Page
SAIS-5/11-7/8	1291970000	J.7
SAIS-5/7	9456940000	C.5
SAIS-5/7	9456940000	C.8
SAIS-5/7-(KV)	1921050000	C.10
SAIS-5/7-ZF	1906390000	C.5
SAIS-5/7-ZF	1906390000	C.24
SAIS-5/9	1807350000	C.5
SAIS-5/9	1807350000	C.8
SAIS-5/9-(KV)	1007080000	C.10
SAIS-5/9-7/8	1301220000	J.6
SAIS-5/9-ZF	1044700000	C.24
SAIS-8/9	1836970000	C.5
SAIS-8/9	1836970000	C.8
SAIS-8/9-KV	1461930000	C.10
SAIS-M-4S-IDC-M12-D-COD	2544780000	C.30
SAIS-M-5/8S-M12-5P-A-COD	1784740000	C.5
SAIS-M-5/8S-M12-5P-A-COD	1784740000	C.11
SAIS-M-5/8S-M12-5P-A-COD	1784740000	L.27
SAIS-M-5/8S-M12-5P-A-COD	1784740000	L.54
SAIS-M-5S-IDC-M12-L-COD	2530750000	D.19
SAIS-M16-12/9	1548810000	C.38
SAIS-M16-16/9	1548820000	C.38
SAIS-M16-2/9	1321700000	C.38
SAIS-M16-4/9	1117970000	C.38
SAIS-M16-5/9	1117990000	C.38
SAIS-M16-6/9	1304390000	C.38
SAIS-M16-7/9	1118010000	C.38
SAIS-M16-8/9	1304430000	C.38
SAIS-M23-12P-AN-1,0M	1906290100	K.34
SAIS-M23-12P-ST-1,0M	1906280100	K.34
SAIS-M23-19P-AN-1,0M	1818090100	K.34
SAIS-M23-19P-ST-1,0M	1818160100	K.34
SAIS-M8-3P	8003860000	C.6
SAIS-M8-3P	1803860000	C.15
SAIS-M8-3P-TL	2511680000	C.23
SAIS-M8-4P	8003850000	C.6
SAIS-M8-4P	1803850000	C.15
SAIS-M8-4P-TL	2511700000	C.23
SAIS-WDF-3+PE-M20-S-COD	1460290000	D.23
SAIS-WDF-4-M20	1383020000	D.22
SAIS-WDF-4-M20-T-COD	1392710000	D.23
SAIS-WDF-5-M20	1383030000	D.22
SAIS-WDF-8-M20	1383040000	D.22
SAIS-ZW-5	9457540000	C.9
SAIS-ZWW	8375600000	C.9
SAIS-5-18/28-4/9CG	2672410000	C.32
SAIS-5-18/28-4/9CG	2664810000	C.33
SAIS-D-PN-6-5-C5	1380610000	C.36
SAIS-D-PN-6-5-C5	1380610000	L.73
SAIS-D-RR-6-6-C5	1380560000	C.36
SAIS-D-RR-6-6-C5	1380560000	L.73
SAIS-D-RR-4-7-C5	1380540000	C.36
SAIS-D-RR-3-C5	1380540000	L.73
SAIS-D-RR-3-C5	1380540000	L.73
SAIS-M-4/8S-M12-D-COD	1467840000	L.72
SAIS-M-5S-M12-L-COD	2531020000	D.20
SAIS-WDF-6-18/28-4/9CG	2664790000	C.34
SAISM-5/8S-M12-5P-B-COD	1784790000	C.5
SAISM-5/8S-M12-5P-B-COD	1784790000	L.9
SAISM-5/8S-M12-5P-B-COD	1784790000	C.13
SAISM-3/9S-M8	1467550000	C.16
SAISM-4/8S-M12-4P-D-ZF	1892120001	C.6
SAISM-4/8S-M12-4P-D-ZF	1892120001	C.26
SAISM-4/8S-M12-4P-D-COD	1892120000	C.6
SAISM-4/8S-M12-4P-D-COD	1892120000	C.14
SAISM-4/8S-M12-4P-D-COD	1892120000	L.70
SAISM-4/8S-M8	1467570000	C.16
SAISM-5/8S-M12-5P-A-COD	1191030000	C.5
SAISM-8/11S-M12	1118910000	C.12
SAISM-8/7S-M12	1423530000	C.12
SAISM-8/9S-M12	1258940000	C.12
SAISM-M8-3P(TL)	1921030000	C.6
SAISM-M8-3P(TL)	1921030000	C.22
SAISM-M8-3P-(IF)	1010060000	C.6
SAISM-M8-3P-(IF)	1010060000	C.17
SAISM-M8-4P(TL)	1921040000	C.6
SAISM-M8-4P(TL)	1921040000	C.22
SAISM-M8-4P-(IF)	1010070000	C.6
SAISM-M8-4P-(IF)	1010070000	C.17
SAISP-4A-4/8-M12	2681148000	C.5
SAISP-4A-4/8-M12	2681148000	C.18
SAISP-5A-4/8-M12	2681560000	C.5
SAISP-5A-4/8-M12	2681560000	C.18
SAISP-M-4A-4/8-M12	2681520000	C.5
SAISP-M-4A-4/8-M12	2681520000	C.19
SAISP-M-4D-4/8-M12	2681680000	C.5
SAISP-M-4D-4/8-M12	2681680000	C.20
SAISP-M-5A-4/8-M12	2681600000	C.5
SAISP-M-5A-4/8-M12	2681600000	C.19
SAISP-M-5B-4/8-M12	2681640000	C.5
SAISP-M-5B-4/8-M12	2681640000	C.20
SAISW-5/9	1807370000	C.5
SAISW-5/9	1807370000	C.8
SAISW-3+PE-11-S-COD	1467860000	D.15
SAISW-3/11-7/8	1291990000	J.7
SAISW-3/7	1021280000	C.5
SAISW-3/7	1021280000	C.7
SAISW-3/9	1021290000	C.7

Type	Order No.	Page
SAISW-3/9-7/8	1291890000	J.6
SAISW-4+FE/8-13-L-COD	2768330000	D.17
SAISW-4+PE/8-13-K-COD	2812430000	D.18
SAISW-4-IDC-M12	1812870000	C.28
SAISW-4/11-1.5	1467660000	D.14
SAISW-4/11-7/8	1292040000	J.7
SAISW-4/11-T-COD	1467880000	D.16
SAISW-4/7	9457290000	C.5
SAISW-4/7	9457290000	C.7
SAISW-4/7-(KV)	1962620000	C.10
SAISW-4/8S-M12-4P-D-ZF	1803930001	C.5
SAISW-4/8S-M12-4P-D-ZF	1803930001	C.26
SAISW-4/8S-M12-4P-D-COD	1160550000	L.70
SAISW-4/9	1807360000	C.5
SAISW-4/9	1807360000	C.7
SAISW-4/9-7/8	1808830000	J.6
SAISW-4/9-7/8	1808830000	L.74
SAISW-5/11-1.5	1467880000	D.16
SAISW-5/11-7/8	1291990000	J.7
SAISW-5/7	9456950000	C.5
SAISW-5/7	9456950000	C.8
SAISW-5/7-(KV)	1962610000	C.10
SAISW-5/9-(KV)	1007060000	C.10
SAISW-5/9-7/8	1291980000	J.6
SAISW-M-4/8-M12	1803930000	C.5
SAISW-M-4/8-M12	1803930000	C.11
SAISW-M-4/8-M12	1803930000	L.27
SAISW-M-5/8-M12	1803940000	C.5
SAISW-M-5/8-M12	1803940000	C.11
SAISW-M-5/8-M12	1803940000	L.27
SAISW-M-5/8-M12	1803940000	L.54
SAISW-M-5/8-M12-B-COD	1944570000	C.13
SAISW-M-5/8-M12-B-COD	1944570000	C.32
SAISW-M-5/8-M12-B-COD	1944570000	L.9
SAISW-M-8-3P(TL)	1920990000	C.6
SAISW-M-8-3P(TL)	1920990000	C.23
SAISW-M-8-4P(TL)	1921000000	C.6
SAISW-M-8-4P(TL)	1921000000	C.23
SAISWC-5-18/28-4/9CG	2672430000	C.32
SAISWC-D-18/28-4/9CG	2702690000	C.33
SAISWC-M-4/8S-M12-D-COD	1467850000	L.72
SAISWP-4A-4/8-M12	2681490000	C.5
SAISWP-4A-4/8-M12	2681490000	C.18
SAISWP-5A-4/8-M12	2681570000	C.5
SAISWP-5A-4/8-M12	2681570000	C.18
SAISWP-M-4A-4/8-M12	2681530000	C.5
SAISWP-M-4A-4/8-M12	2681530000	C.19
SAISWP-M-4D-4/8-M12	2681690000	C.5
SAISWP-M-4D-4/8-M12	2681690000	C.20
SAISWP-M-5A-4/8-M12	2681610000	C.5
SAISWP-M-5A-4/8-M12	2681610000	C.19
SAISWP-M-5B-4/8-M12	2681650000	C.5
SAISWP-M-5B-4/8-M12	2681650000	C.20
SAIV-M12BG-2/4-1.5U	1939410150	B.13
SAIV-M12BG-4-1.5U	9457950150	B.13
SAIV-M12BW-2/4-1.5U	1939370150	B.13
SAIV-M12BW-4-1.5U	9457960150	B.13
SCREWTY M12 KO O. SD	1900110000	M.5
SCREWTY M12F KO O. SD	1900120000	M.5
SCREWTY M23	1981560000	M.5
SCREWTY M8 KO O. SD	1900110000	M.5
SCREWTY M8F KO O. SD	1900130000	M.5
SCREWTY SET	1910000000	L.62
SCREWTY SET	1910000000	L.63
SCREWTY SET	1910000000	M.5
SCREWTY SET-DM	1920000000	L.62
SCREWTY SET-DM	1920000000	L.63
SCREWTY SET-DM	1920000000	M.5
SCREWTY SW10	1254640000	M.5
SCREWTY SW12	2598970000	M.5
SCREWTY SW13	1254650000	M.5
SCREWTY SW15	1290830000	M.5
SCREWTY SW17	1254660000	M.5
SCREWTY SW18	1254670000	M.5
SCREWTY SW19	1254680000	M.5
SCREWTY SW9	1254630000	M.5
SCREWTY-M12	1900000000	L.62
SCREWTY-M12	1900000000	L.63
SCREWTY-M12	1900000000	M.5
SCREWTY-M12 F	1900020000	M.5
SCREWTY-M12 F	1900010000	M.5
SCREWTY-M8 F	1900030000	M.5
SCREWTY-M12 F-DM	19000021000	M.5
SCREWTY-M12-DM	19000010000	E.9
SCREWTY-M12-DM	1900001000	H.19
SCREWTY-M12-DM	1900001000	L.62
SCREWTY-M12-DM	1900001000	L.63
SCREWTY-M12-DM	1900001000	M.5
SCREWTY-M8-DM	19000031000	M.5
SCREWTY-M8-DM	19000110000	M.5
SFC/0/12 MC NE BL	1813170000	M.17
SFC/0/12 MC NE GE	1813160000	M.17
SFC/0/12 MC NE RT	1813150000	M.17
SFC/0/12 MC NE WS	1813130000	M.17
SFC/0/12 MC SDR	1813180000	M.17
SFC/0/21 MC NE BL	1813220000	M.17
SFC/0/21 MC NE GE	1813210000	M.17
SFC/0/21 MC NE RT	1813200000	M.17
SFC/0/21 MC NE WS	1813190000	M.17

Type	Order No.	Page
SFC/0/21 MC SDR	1813230000	M.17
SFC/0/30 MC NE BL	1813270000	M.17
SFC/0/30 MC NE GE	1813260000	M.17
SFC/0/30 MC NE RT	1813250000	M.17
SFC/0/30 MC NE WS	1813240000	M.17
SFC/0/30 MC SDR	1813280000	M.17
SFC 1/12 MC NE BL	1747320002	M.17
SFC 1/12 MC NE GE	1747320004	M.17
SFC 1/12 MC NE RT	1747320003	M.17
SFC 1/12 MC NE WS	1747320001	M.17
SFC 1/12 MC SDR	1752720000	M.17
SFC 1/21 MC NE BL	1779080002	M.17
SFC 1/21 MC NE GE	1779080004	M.17
SFC 1/21 MC NE RT	1779080003	M.17
SFC 1/21 MC NE WS	1779080001	M.17
SFC 1/21 MC SDR	1779090000	M.17
SFC 1/30 MC NE BL	1805720000	M.17
SFC 1/30 MC NE GE	1805730000	M.17
SFC 1/30 MC NE RT	1805740000	M.17
SFC 1/30 MC NE WS	1805760000	M.17
SFC 1/30 MC SDR	1805750000	M.17
SFC 2.5/12 MC NE BL	1062030000	M.17
SFC 2.5/12 MC NE GE	1062010000	M.17
SFC 2.5/12 MC NE RT	1062020000	M.17
SFC 2.5/12 MC NE WS	1062000000	M.17
SFC 2.5/12 MC SDR	1062040000	M.17
SFC 2.5/21 MC NE BL	1062090000	M.17
SFC 2.5/21 MC NE GE	1062070000	M.17
SFC 2.5/21 MC NE RT	1062080000	M.17
SFC 2.5/21 MC NE WS	1062050000	M.17
SFC 2.5/21 MC SDR	1062110000	M.17
SFC 2/12 MC NE BL	1758320002	M.17
SFC 2/12 MC NE GE	1758320004	M.17
SFC 2/12 MC NE RT	1758320003	M.17
SFC 2/12 MC NE WS	1758320001	M.17
SFC 2/12 MC SDR	1763480000	M.17
SFC 2/21 MC NE BL	1805770000	M.17
SFC 2/21 MC NE GE	1805780000	M.17
SFC 2/21 MC NE RT	1805790000	M.17
SFC 2/21 MC NE WS	1805810000	M.17
SFC 2/21 MC SDR	1805800000	M.17
SFC 2/30 MC NE BL	1805820000	M.17
SFC 2/30 MC NE GE	1805830000	M.17
SFC 2/30 MC NE RT	1805850000	M.17
SFC 2/30 MC NE WS	1805840000	M.17
SFC 2/30 MC SDR	1805860000	M.17
SFC 3/12 MC NE BL	1025250000	M.17
SFC 3/12 MC NE GE	1025230000	M.17
SFC 3/12 MC NE RT	1025240000	M.17
SFC 3/12 MC NE WS	1025220000	M.17
SFC 3/12 MC SDR	1025260000	M.17
SFC 3/21 MC NE BL	1025340000	M.17
SFC 3/21 MC NE GE	1025320000	M.17
SFC 3/21 MC NE RT	1025330000	M.17
SFC 3/21 MC NE WS	1025310000	M.17
SFC 3/21 MC SDR	1025570000	M.17
SFC 3/21 MC SDR	1025560000	M.17
SFC 3/21 MC SDR	1025340000	M.17
SFC 3/30 MC NE BL	1025300000	M.17
SFC 3/30 MC NE GE	1025280000	M.17
SFC 3/30 MC NE RT	1025290000	M.17
SFC 3/30 MC NE WS	1025270000	M.17
SFC 3/30 MC SDR	1025310000	M.17
STRIPAX	9005000000	M.9
STRIPAX 16	9005610000	M.9
STRIPAX 16 ZERT	9918180000	M.9
STRIPAX ZERT	9017330000	M.9
STRIPPER 6-16 RED-LINE	9203110000	M.6

Type	Order No.	Page
TMH-18 MC NE GE	1718431687	L.64
TMH-18 MC NE GE	1718431687	L.65
TMH-18 MC NE GE	1718431687	L.66
TMH-18 MC NE GE	1718431687	L.67
TMH-18 MC NE GE	1718431687	L.68
TMH-18 MC NE GE	1718431687	L.69
TMH-18 MC NE GE	1718431687	M.18
TMH-18 MC NE WS	1718431044	M.18
TMH-18 MC SDR	1718440000	M.18

**V**

VG M16-MS 1/EMV	1909500000	L.77
VG M16-1/K68	1909860000	L.77
VG M16-1/MS68	1909910000	L.77
VP M16-EXE SW	1737070000	L.77
VP M16-MS65	1777390000	L.77
VPE 1/1 REEL = 100 METER	2764950000	B.79

**W**

Type	Order No.	Page
WILWXXXX-4000D024-765SX3.0BXXXXXXXX	2821250000	G.14
WILWXXXX-4000D024-860SX0.38M12GXXXX	2793350000	G.14
WILWXXXX-4000D024-860SX5.0BXXXXXXXX	2694370000	G.14
WILWXXXX-5000D024-145SX0.38M12GXXXX	2821040000	G.13
WILWXXXX-5000D024-145SX3.0BXXXXXXXX	2821050000	G.13
WILWXXXX-5000D024-240SX0.38M12GXXXX	2793630000	G.13
WILWXXXX-5000D024-240SX3.0BXXXXXXXX	2821060000	G.13
WILWXXXX-5000D024-350SX0.38M12GXXXX	2821070000	G.13
WILWXXXX-5000D024-350SX3.0BXXXXXXXX	2821080000	G.13
WILWXXXX-5000D024-450SX0.38M12GXXXX	2821090000	G.13
WILWXXXX-5000D024-450SX3.0BXXXXXXXX	2821100000	G.13
WILWXXXX-5000D024-555SX0.38M12GXXXX	2821110000	G.13
WILWXXXX-5000D024-555SX3.0BXXXXXXXX	2821120000	G.13
WILWXXXX-5000D024-655SX0.38M12GXXXX	2821130000	G.13
WILWXXXX-5000D024-655SX3.0BXXXXXXXX	2821140000	G.13
WILWXXXX-5000D024-765SX0.38M12GXXXX	2821150000	G.13
WILWXXXX-5000D024-765SX3.0BXXXXXXXX	2821160000	G.13
WILWXXXX-5000D024-860SX0.38M12GXXXX	2821170000	G.13
WILWXXXX-5000D024-860SX3.0BXXXXXXXX	2821180000	G.13
WILWXXXX-5700D024-145SX0.38M12GXXXX	2820220000	G.11
WILWXXXX-5700D024-145SX3.0BXXXXXXXX	2820230000	G.11
WILWXXXX-5700D024-240SX0.38M12GXXXX	2614400000	G.11
WILWXXXX-5700D024-240SX3.0BXXXXXXXX	2820240000	G.11
WILWXXXX-5700D024-350SX0.38M12GXXXX	2616330000	G.11
WILWXXXX-5700D024-350SX3.0BXXXXXXXX	2820250000	G.11
WILWXXXX-5700D024-450SX0.38M12GXXXX	2820260000	G.11
WILWXXXX-5700D024-450SX3.0BXXXXXXXX	2820270000	G.11
WILWXXXX-5700D024-555SX0.38M12GXXXX	2820280000	G.11
WILWXXXX-5700D024-555SX3.0BXXXXXXXX	2820290000	G.11
WILWXXXX-5700D024-655SX0.38M12GXXXX	2820300000	G.11
WILWXXXX-5700D024-655SX3.0BXXXXXXXX	2820310000	G.11
WILWXXXX-5700D024-765SX0.38M12GXXXX	2820320000	G.11
WILWXXXX-5700D024-765SX3.0BXXXXXXXX	2820330000	G.11
WILWXXXX-5700D024-860SX0.38M12GXXXX	2820340000	G.11
WILWXXXX-5700D024-860SX3.0BXXXXXXXX	2820350000	G.11
WILWXXXX-6500D012-240MFX5.0BXXXXXXXX	2548620000	G.20
WILWXXXX-6500D024-145MFX0.38M12GXXXX	2545170000	G.9
WILWXXXX-6500D024-145MFX1.58M12GXXXX	2669230000	G.9
WILWXXXX-6500D024-145SX0.38M12GXXXX	2535770000	G.8
WILWXXXX-6500D024-145SX5.0BXXXXXXXX	2535800000	G.8
WILWXXXX-6500D024-240MF10.0BXXXXXXXX	2527950000	G.9
WILWXXXX-6500D024-240MF10.0DXXXXXXXX	2528030000	G.12
WILWXXXX-6500D024-240MF11.58M12GXXXX	2669240000	G.9
WILWXXXX-6500D024-240MF11.5BXXXXXXXX	2527920000	G.9
WILWXXXX-6500D024-240MF11.5DXXXXXXXX	2528000000	G.12
WILWXXXX-6500D024-240MF3.0BXXXXXXXX	2527930000	G.9
WILWXXXX-6500D024-240MF3.0DXXXXXXXX	2528010000	G.12
WILWXXXX-6500D024-240MF5.0BXXXXXXXX	2527940000	G.9
WILWXXXX-6500D024-240MF5.0DXXXXXXXX	2528020000	G.12
WILWXXXX-6500D024-240SX10.0BXXXXXXXX	2527910000	G.8
WILWXXXX-6500D024-240SX10.0DXXXXXXXX	2527990000	G.10
WILWXXXX-6500D024-240SX0.38M12GM12G	2576960000	G.8
WILWXXXX-6500D024-240SX0.38M12GXXXX	2436210000	G.8
WILWXXXX-6500D024-240SX11.5BXXXXXXXX	2527880000	G.8
WILWXXXX-6500D024-240SX11.5DXXXXXXXX	2527960000	G.10
WILWXXXX-6500D024-240SX3.0BXXXXXXXX	2527890000	G.8
WILWXXXX-6500D024-240SX3.5DXXXXXXXX	2527970000	G.10
WILWXXXX-6500D024-240SX5.0BXXXXXXXX	2527900000	G.8
WILWXXXX-6500D024-240SX5.0DXXXXXXXX	2527980000	G.10
WILWXXXX-6500D024-350SX0.38M12GXXXX	2535810000	G.8
WILWXXXX-6500D024-350SX5.0BXXXXXXXX	2535820000	G.8
WILWXXXX-6500D024-450SX0.38M12GXXXX	2535830000	G.8
WILWXXXX-6500D024-450SX5.0BXXXXXXXX	2535840000	G.8
WILWXXXX-6500D024-555SX0.38M12GXXXX	2535850000	G.8
WILWXXXX-6500D024-555SX5.0BXXXXXXXX	2535860000	G.8
WILWXXXX-6500D024-655SX0.38M12GXXXX	2535870000	G.8
WILWXXXX-6500D024-655SX5.0BXXXXXXXX	2535880000	G.8
WILWXXXX-6500D024-765SX0.38M12GXXXX	2535890000	G.8
WILWXXXX-6500D024-765SX5.0BXXXXXXXX	2535900000	G.8
WILWXXXX-6500D024-860SX0.38M12GXXXX	2535910000	G.8
WILWXXXX-6500D024-860SX5.0BXXXXXXXX	2535920000	G.8
WIL-LXXX-RHPS-5700-1040-M12D-X0	2899510000	G.28
WIL-LXXX-RHPS-5700-1040-M12X-X0	2899500000	G.28
WIL-LXXX-RHPS-5700-X190-M12D-X0	2899430000	G.28
WIL-LXXX-RHPS-5700-X190-M12X-X0	2899410000	G.28
WIL-LXXX-RHPS-5700-X365-M12D-X0	2899450000	G.28
WIL-LXXX-RHPS-5700-X365-M12X-X0	2899440000	G.28
WIL-LXXX-RHPS-5700-X540-M12D-X0	2899470000	G.28
WIL-LXXX-RHPS-5700-X540-M12X-X0	2899460000	G.28
WIL-LXXX-RHPS-5700-X715-M12D-X0	2899490000	G.28
WIL-LXXX-RHPS-5700-X715-M12X-X0	2899480000	G.28
WIL-LXXX-RXPS-5700-1040-M12D-X0	2899400000	G.27
WIL-LXXX-RXPS-5700-1040-M12X-X0	2899390000	G.27
WIL-LXXX-RXPS-5700-X190-M12D-X0	2899320000	G.27
WIL-LXXX-RXPS-5700-X190-M12X-X0	2899310000	G.27
WIL-LXXX-RXPS-5700-X365-M12D-X0	2899340000	G.27
WIL-LXXX-RXPS-5700-X365-M12X-X0	2899330000	G.27
WIL-LXXX-RXPS-5700-X540-M12D-X0	2899360000	G.27
WIL-LXXX-RXPS-5700-X540-M12X-X0	2899350000	G.27
WIL-LXXX-RXPS-5700-X715-M12D-X0	2899380000	G.27
WIL-LXXX-RXPS-5700-X715-M12X-X0	2899370000	G.27
WIL-LXXX-RXSS-5700-1040-M12D-X0	2899300000	G.26
WIL-LXXX-RXSS-5700-1040-M12X-X0	2899290000	G.26
WIL-LXXX-RXSS-5700-X190-M12D-X0	2899220000	G.26
WIL-LXXX-RXSS-5700-X190-M12X-X0	2899210000	G.26
WIL-LXXX-RXSS-5700-X365-M12D-X0	2899240000	G.26
WIL-LXXX-RXSS-5700-X365-M12X-X0	2899230000	G.26
WIL-LXXX-RXSS-5700-X540-M12D-X0	2899260000	G.26
WIL-LXXX-RXSS-5700-X540-M12X-X0	2899250000	G.26

Type	Order No.	Page
WIL-LXXX-RXSS-5700-X715-M12D-X0	2899280000	G.26
WIL-LXXX-RXSS-5700-X715-M12X-X0	2899270000	G.26
WIL-MAGNET	2526810000	G.24
WIL-NT-STANDARD	2598350000	G.23
WIL-SCHWENKHALTER	2614220000	G.24
WIL-SXXXX-FXPF-6500-1120-M8XX-S	2900140000	G.34
WIL-SXXXX-FXPF-6500-1400-M8XX-S	2900150000	G.34
WIL-SXXXX-FXPF-6500-X140-M8DX-S	2900160000	G.34
WIL-SXXXX-FXPF-6500-X140-M8XX-S	2899990000	G.34
WIL-SXXXX-FXPF-6500-X280-M8DX-S	2900170000	G.34
WIL-SXXXX-FXPF-6500-X280-M8XX-S	2900110000	G.34
WIL-SXXXX-FXPF-6500-X560-M8DX-S	2900180000	G.34
WIL-SXXXX-FXPF-6500-X560-M8XX-S	2900120000	G.34
WIL-SXXXX-FXPF-6500-X840-M8DX-S	2900190000	G.34
WIL-SXXXX-FXPF-6500-X840-M8XX-S	2900130000	G.34
WIL-SXXXX-FXSF-5700-1120-M8XX-S	2899930000	G.33
WIL-SXXXX-FXSF-5700-1400-M8XX-S	2899940000	G.33
WIL-SXXXX-FXSF-5700-X140-M8DX-S	2899950000	G.33
WIL-SXXXX-FXSF-5700-X140-M8XX-S	2899960000	G.33
WIL-SXXXX-FXSF-5700-X280-M8DX-S	2899970000	G.33
WIL-SXXXX-FXSF-5700-X560-M8DX-S	2899970000	G.33
WIL-SXXXX-FXSF-5700-X560-M8XX-S	2899910000	G.33
WIL-SXXXX-FXSF-5700-X840-M8DX-S	2899980000	G.33
WIL-SXXXX-FXSF-5700-X840-M8XX-S	2899920000	G.33
WILTS-M12	2537730000	G.23
WK-I/4(SCREWTY)	1862200000	M.5





Order No.	Type	Page
-----------	------	------

## 100000000

1004310150	SAIL-M12GM12W4-2L1.5T	B.30
1004320150	SAIL-M12GM12W3L1.5T	B.30
1004330150	SAIL-M12BW-3L1.5T	B.16
1005270150	SAIL-ZW-M12BW-3-1.5U	B.41
1005460150	SAIL-ZW-M12BG-3-1.5U	B.41
1007000150	SAIL-M12BW-4-2L1.5T	B.16
1007060000	SAISW-5/9(KV)	C.10
1007070000	SAIBW-5/9(KV)	C.10
1007080000	SAIS-5/9(KV)	C.10
1007090000	SAIB-5/9(KV)	C.10
1009370000	SAI-T-5S-PARA	C.43

## 101000000

1010060000	SAISM-M8-3P(1F)	C.6
1010060000	SAISM-M8-3P(1F)	C.17
1010070000	SAISM-M8-4P(1F)	C.6
1010070000	SAISM-M8-4P(1F)	C.17
1010080000	SAIBM-M8-3P(1F)	C.6
1010080000	SAIBM-M8-3P(1F)	C.17
1010090000	SAIBM-M8-4P(1F)	C.6
1010090000	SAIBM-M8-4P(1F)	C.17
1010840015	IE-C5DB4RE0015MCSXXX	L.67
1010840030	IE-C5DB4RE0030MCSXXX	L.67
1010840050	IE-C5DB4RE0050MCSXXX	L.67
1010840100	IE-C5DB4RE0100MCSXXX	L.67
1010850015	IE-C5DB4RE0015MCSMCS-E	L.66
1010850030	IE-C5DB4RE0030MCSMCS-E	L.66
1010850050	IE-C5DB4RE0050MCSMCS-E	L.66
1010850100	IE-C5DB4RE0100MCSMCS-E	L.66
1011970150	SAIL-M12GM12G-5-1.5T	B.27
1011990150	SAIL-M12GM12W-5-1.5T	B.27

## 102000000

1020930150	SAIL-M12GM12W4-3LW1.5T	B.30
1021280000	SAISW-3/7	C.5
1021280000	SAISW-3/7	C.7
1021290000	SAISW-3/9	C.7
1021310000	SAIBW-3/7	C.5
1021310000	SAIBW-3/7	C.7
1021320000	SAIBW-3/9	C.5
1021470000	SAIS-3/7	C.7
1021470000	SAIS-3/7	C.5
1021480000	SAIS-3/9	C.7
1021480000	SAIS-3/9	C.5
1021490000	SAIB-3/7	C.5
1021490000	SAIB-3/7	C.7
1021510000	SAIB-3/9	C.5
1021510000	SAIB-3/9	C.7
1021650150	SAIL-M12G-5-1.5T	B.11
1021660150	SAIL-M12W-5-1.5T	B.11
1021670150	SAIL-M12BG-5-1.5T	B.11
1021690150	SAIL-M12BW-5-1.5T	B.11
1021710150	SAIL-M12GM12G-3-1.5T	B.27
1021720150	SAIL-M12GM12W-3-1.5T	B.27
1021730150	SAIL-M12GM12G-4-1.5T	B.27
1021740150	SAIL-M12GM12W-4-1.5T	B.27
1021750150	SAIL-M12G-3-1.5T	B.11
1021760150	SAIL-M12W-3-1.5T	B.11
1021770150	SAIL-M12G-4-1.5T	B.11
1021790150	SAIL-M12W-4-1.5T	B.11
1022930150	SAIL-M12BW-5-3LW1.5TP	B.17
1022960000	SAIH-5X0-34(PUR)	B.71
1025220000	SFC 3/12 MC NE WS	M.17
1025230000	SFC 3/12 MC NE GE	M.17
1025240000	SFC 3/12 MC NE RT	M.17
1025250000	SFC 3/12 MC NE BL	M.17
1025260000	SFC 3/21 MC NE WS	M.17
1025270000	SFC 3/21 MC NE GE	M.17
1025280000	SFC 3/21 MC NE RT	M.17
1025290000	SFC 3/21 MC NE BL	M.17
1025300000	SFC 3/21 MC NE BL	M.17
1025310000	SFC 3/30 MC NE WS	M.17
1025320000	SFC 3/30 MC NE GE	M.17
1025330000	SFC 3/30 MC NE RT	M.17
1025340000	SFC 3/30 MC NE BL	M.17
1025550000	SFC 3/12 MC SDR	M.17
1025560000	SFC 3/21 MC SDR	M.17
1025570000	SFC 3/30 MC SDR	M.17
1025940015	IE-C5DD4UG0015MCSXXX	L.63
1025940030	IE-C5DD4UG0030MCSXXX	L.63
1025940050	IE-C5DD4UG0050MCSXXX	L.63
1025940100	IE-C5DD4UG0100MCSXXX	L.63
1025950005	IE-C5DD4UG0005MCSMCS-E	L.62
1025950015	IE-C5DD4UG0015MCSMCS-E	L.62
1025950030	IE-C5DD4UG0030MCSMCS-E	L.62
1025950050	IE-C5DD4UG0050MCSMCS-E	L.62
1025950100	IE-C5DD4UG0100MCSMCS-E	L.62
1026180150	SAIL-VSB-M8W-3-1.5U	B.66
1026190150	SAIL-VSA-M8W-3-1.5U	B.63

## 103000000

1038860000	ESG 8/13.5/43.3 SAI SDR	M.19
------------	-------------------------	------

Order No.	Type	Page
-----------	------	------

## 104000000

1044470010	IE-C5DD4UG0010MCSA20-E	L.63
1044470015	IE-C5DD4UG0015MCSA20-E	L.63
1044470030	IE-C5DD4UG0030MCSA20-E	L.63
1044470050	IE-C5DD4UG0005MCSA20-E	L.63
1044470100	IE-C5DD4UG0100MCSA20-E	L.63
1044700000	SAIS-5/9-ZF	C.24
1044710000	SAIB-5/9-ZF	C.24

## 105000000

1051760000	SAI-04L-VP12-3A-M080-PNP	E.39
1057720000	SAI-6S-3P M8 LSL	E.42
1057740150	SAIL-M12BG-3B-1.5U	B.47
1057750150	SAIL-M12BG-4B-1.5U	B.47
1057760150	SAIL-M12BW-5B-1.5U	B.47
1057770150	SAIL-M12G-3B-1.5U	B.47
1057780150	SAIL-M12G-4B-1.5U	B.47
1057790150	SAIL-M12G-5B-1.5U	B.47
1057800150	SAIL-M12W-3B-1.5U	B.47
1057810150	SAIL-M12W-4B-1.5U	B.47
1057820150	SAIL-M12W-5B-1.5U	B.47
1057830150	SAIL-M12GM12G-3B-1.5U	B.48
1057840150	SAIL-M12GM12G-4B-1.5U	B.48
1057850150	SAIL-M12GM12G-5B-1.5U	B.48
1057870150	SAIL-M12WM12G-3B-1.5U	B.48
1057880150	SAIL-M12WM12G-4B-1.5U	B.48
1057890150	SAIL-M12WM12G-5B-1.5U	B.48
1057900150	SAIL-M12GM12W-3B-1.5U	B.48
1057910150	SAIL-M12GM12W-4B-1.5U	B.48
1057920150	SAIL-M12GM12W-5B-1.5U	B.48
1057940000	SAI-T-5-M12/M12 B-CDD	C.43
1058490150	SAIL-M12GM12G-3S1.5U	B.28
1058500150	SAIL-M12GM12G-4S1.5U	B.28
1058510150	SAIL-M12GM12G-5S1.5U	B.28
1058630000	SAIH-CD-2X0.34/2X0.22-PUR	L.53
1059330015	IE-C5DD4UG0015MSSMCS-E	L.62
1059330030	IE-C5DD4UG0030MSSMCS-E	L.62
1059330050	IE-C5DD4UG0050MSSMCS-E	L.62
1059330100	IE-C5DD4UG0100MSSMCS-E	L.62
1059340015	IE-C5DB4RE0015MSSMCS-E	L.66
1059340030	IE-C5DB4RE0030MSSMCS-E	L.66
1059340050	IE-C5DB4RE0050MSSMCS-E	L.66
1059340100	IE-C5DB4RE0100MSSMCS-E	L.66
1059430000	SAI-B-M-4P M12 DIP	E.13
1059470150	SAIL-M12GM12W-3S1.5U	B.28
1059480150	SAIL-M12GM12W-4S1.5U	B.28
1059490150	SAIL-M12GM12W-5S1.5U	B.28
1059650150	SAIL-M12W-4S1.5U	B.18
1059720150	SAIL-M12WM12W-3S1.5U	B.28
1059730150	SAIL-M12WM12W-4S1.5U	B.28
1059740150	SAIL-M12WM12W-5S1.5U	B.28
1059750015	IE-C5DD4UG0015MCAXXX-X	L.65
1059750030	IE-C5DD4UG0030MCAXXX-X	L.65
1059750050	IE-C5DD4UG0050MCAXXX-X	L.65
1059750100	IE-C5DD4UG0100MCAXXX-X	L.65
1059770015	IE-C5DD4UG0015MCSMCA-E	L.64
1059770030	IE-C5DD4UG0030MCSMCA-E	L.64
1059770050	IE-C5DD4UG0050MCSMCA-E	L.64
1059770100	IE-C5DD4UG0100MCSMCA-E	L.64
1059890015	IE-C5DD4UG0015MCAECA-E	L.64
1059890030	IE-C5DD4UG0030MCAECA-E	L.64
1059890050	IE-C5DD4UG0050MCAECA-E	L.64
1059890100	IE-C5DD4UG0100MCAECA-E	L.64
1059900015	IE-C5DB4RE0015MCSMCA-E	L.69
1059900030	IE-C5DB4RE0030MCSMCA-E	L.69
1059900050	IE-C5DB4RE0050MCSMCA-E	L.69
1059900100	IE-C5DB4RE0100MCSMCA-E	L.69
1059940015	IE-C5DB4RE0015MCSMCA-E	L.68
1059940030	IE-C5DB4RE0030MCSMCA-E	L.68
1059940050	IE-C5DB4RE0050MCSMCA-E	L.68
1059940100	IE-C5DB4RE0100MCSMCA-E	L.68
1059970015	IE-C5DB4RE0015MCAECA-E	L.68
1059970030	IE-C5DB4RE0030MCAECA-E	L.68
1059970050	IE-C5DB4RE0050MCAECA-E	L.68
1059970100	IE-C5DB4RE0100MCAECA-E	L.68

## 106000000

1060110150	SAIL-M12G-CD-1.5B	L.50
1060120150	SAIL-M12BG-CD-1.5B	L.50
1060130150	SAIL-M12GM12G-CD-1.5B	L.51
1060730000	SAI-Y-4S-M12/M12	C.40
1061880150	SAIL-M12BG-5B-1.5U	B.47
1061890150	SAIL-M12BW-3B-1.5U	B.47
1061900150	SAIL-M12BW-4B-1.5U	B.47
1061910150	SAIL-M12WM12W-3B-1.5U	B.48
1061920150	SAIL-M12WM12W-4B-1.5U	B.48
1061930150	SAIL-M12WM12W-5B-1.5U	B.48
1061970150	SAIL-M12W-PB-1.5D	L.4
1061980150	SAIL-M12BW-CD-1.5A	L.50
1061990150	SAIL-M12GM12W-CD-1.5A	L.51
1062000000	SFC 2.5/12 MC NE WS	M.17
1062010000	SFC 2.5/12 MC NE GE	M.17
1062020000	SFC 2.5/12 MC NE RT	M.17
1062030000	SFC 2.5/12 MC NE BL	M.17
1062040000	SFC 2.5/12 MC SDR	M.17
1062050000	SFC 2.5/21 MC NE WS	M.17

Order No.	Type	Page
-----------	------	------

1062070000	SFC 2.5/21 MC NE GE	M.17
1062080000	SFC 2.5/21 MC NE RT	M.17
1062090000	SFC 2.5/21 MC NE BL	M.17
1062100000	SFC 2.5/21 MC SDR	M.17
1062150150	SAIL-M12WM12W-CD-1.5A	L.51
1062170150	SAIL-M12W-CD-1.5B	L.50
1062180150	SAIL-M12BW-CD-1.5B	L.50
1062190150	SAIL-M12GM12W-CD-1.5B	L.51
1062210150	SAIL-M12WM12W-CD-1.5B	L.51
1062220150	SAIL-M12W-CD-1.5A	L.50
1062300150	SAIL-M12BW-PB-1.5D	L.4
1062310150	SAIL-M12GM12W-PB-1.5D	L.5
1062330150	SAIL-M12WM12W-PB-1.5D	L.5

## 107000000

1070630000	SAI-4-F-5P M12 L 5M	E.6
1070630000	SAI-4-F-5P M12 L 5M	E.10
1070640000	SAI-4-F-5P M12 L 10M	E.6
1070640000	SAI-4-F-5P M12 L 10M	E.10
1070650000	SAI-4-F-4P M12 L 5M	E.6
1070650000	SAI-4-F-4P M12 L 5M	E.10
1070660000	SAI-4-F-4P M12 L 10M	E.6
1070660000	SAI-4-F-4P M12 L 10M	E.10
1071990150	SAIL-M12WM12G-4-1.5U	B.6
1071990300	SAIL-M12WM12G-4-3.0U	B.6
1071990500	SAIL-M12WM12G-4-5.0U	B.6
1071991000	SAIL-M12WM12G-4-10U	B.6
1073020150	SAIL-M8WM8G-3-1.5U	B.4
1073020300	SAIL-M8WM8G-3-3.0U	B.4
1073020500	SAIL-M8WM8G-3-5.0U	B.4
1073021000	SAIL-M8WM8G-3-10U	B.4
1075390100	FBCEX PA M12 MF-FA 1M	L.25
1075410100	FBCEX PA M12 MA-FMA 1M	L.25
1075450100	FBCEX PA M12 MA-FM 1M	L.25
1075460100	FBC PA M12 MA-FM 1M	L.25
1075620100	FBC PA M12 MF-FA 1M	L.25
1075620100	FBC PA M12 FMA 1M	L.24
1075630100	FBC PA M12 FMA 1M	L.24
1075640100	FBC PA M12 MA 1M	L.24
1075650100	FBC PA M12 MA-FMA 1M	L.25
1075680100	FBCEX PA M12 MA 1M	L.24
1077501500	SAIL-M12G-4-1.5UGE	B.11
1078270000	SAIE-M8S-4-0.5U-PP-M8	C.52
1078730000	SAIE-M8S-3-0.5U-PP-M8	C.52

## 109000000

1092910150	SAIL-M12BG-3-1.5UGE	B.11
1092920150	SAIL-M12BG-4-1.5UGE	B.11
1092930150	SAIL-M12BG-5-1.5UGE	B.11
1092940150	SAIL-M12BW-3-1.5UGE	B.11
1092950150	SAIL-M12BW-4-2L1.5UGE	B.16
1092960150	SAIL-M12BW-4-1.5UGE	B.11
1092970150	SAIL-M12BW-5-1.5UGE	B.11
1092980150	SAIL-M12G-3-1.5UGE	B.11
1092990150	SAIL-M12G-5-1.5UGE	B.11
1093000150	SAIL-M12GM12G-2/4-1.5UGE	B.29
1093010150	SAIL-M12GM12G-3-1.5UGE	B.27
1093020150	SAIL-M12GM12G-4-1.5UGE	B.27
1093030150	SAIL-M12GM12G-5-1.5UGE	B.27
1093040150	SAIL-M12GM12W-2/4-1.5UGE	B.29
1093050150	SAIL-M12GM12W-3-1.5UGE	B.27
1093060150	SAIL-M12GM12W-4-3LW1.5UGE	B.30
1093070150	SAIL-M12GM12W-4-1.5UGE	B.27
1093080150	SAIL-M12GM12W-5-1.5UGE	B.27
1093110150	SAIL-M12GM8W-3L1.5UGE	B.34
1093130150	SAIL-M12GM8W-4L1.5UGE	B.32
1093150150	SAIL-M12GM8W-3-1.5UGE	B.11
1093160150	SAIL-M12W-3-1.5UGE	B.11
1093170150	SAIL-M12W-4-1.5UGE	B.11
1093180150	SAIL-M12W-5-1.5UGE	B.11
1093190150	SAIL-M8BG-3-1.5UGE	B.20
1093200150	SAIL-M8BG-4-1.5UGE	B.20
1093210150	S	

Order No.	Type	Page
1170210000	SAI-M23-KBC-1.00-1.5	K.16
1170210000	SAI-M23-KBC-1.00-1.5	M.14
1170210000	SAI-M23-KBC-1.00-1.5	M.15
1170220000	SAI-M23-KSC-1.5-0.14-1	K.16
1170220000	SAI-M23-KSC-1.5-0.14-1	M.14
1170220000	SAI-M23-KSC-1.5-0.14-1	M.15
1170230000	SAI-M23-KBC-1.5-14-56	K.16
1170230000	SAI-M23-KBC-1.5-14-56	M.14
1170230000	SAI-M23-KBC-1.5-14-56	M.15
1170240000	SAI-M23-KBC-1.5-56-1.0	K.16
1170240000	SAI-M23-KBC-1.5-56-1.0	M.14
1170240000	SAI-M23-KBC-1.5-56-1.0	M.15
1170250000	SAI-M23-KSC-2.0-75-2.5	K.17
1170250000	SAI-M23-KSC-2.0-75-2.5	M.14
1170250000	SAI-M23-KSC-2.0-75-2.5	M.15
1170260000	SAI-M23-KBC-2.0-75-2.5	K.17
1170260000	SAI-M23-KBC-2.0-75-2.5	M.14
1170260000	SAI-M23-KBC-2.0-75-2.5	M.15
1170270000	SAI-M23-KS-L-7/12	K.28
1170280000	SAI-M23-GSW-7/12	K.28
1170290000	SAI-M23-KSW-L-7/12	K.28
1170300000	SAIE-M23-L-VW	K.29
1170310000	SAIE-M23-L-RM	K.29
1170320000	SAIE-M23-L-EM	K.29
1170330000	SAIE-M23-L-W 25X25	K.29
1170340000	SAIE-M23-L-HW	K.29
1170350000	SAI-M23-SE-L6	K.30
1170370000	SAI-M23-BEL-6	K.30
1170380000	SAI-M23-SEL-4/4	K.30
1170390000	SAI-M23-KSC-L-0.25-1.0	K.31
1170390000	SAI-M23-KSC-L-0.25-1.0	M.14
1170400000	SAI-M23-KSC-L-0.75-2.5	K.31
1170400000	SAI-M23-KSC-L-0.75-2.5	M.14
1170410000	SAI-M23-KSC-L-2.5-4.0	K.31
1170410000	SAI-M23-KSC-L-2.5-4.0	M.14
1170420000	SAI-M23-KBC-L-2.5-4.0	K.31
1170420000	SAI-M23-KBC-L-2.5-4.0	M.14
1170810000	SAI-M23-SK-MF3	K.32
1173220000	PB-DP SUB-D ZF35TERM	L.12
1173240000	PB-DP SUB-D ZF35TERM P	L.12

## 1190000000

1191020000	SAIBM-5/6S M12 5P A-COD	C.5
1191020000	SAIBM-5/6S M12 5P A-COD	C.11
1191020000	SAIBM-5/6S M12 5P A-COD	L.27
1191030000	SAISM-5/6S M12 5P A-COD	C.5

## 1200000000

1201210050	SAIL-M8GRJ45-4S0.SUIE	L.61
1201210200	SAIL-M8GRJ45-4S2.OUIE	L.61
1201210500	SAIL-M8GRJ45-4S5.OUIE	L.61
1201210750	SAIL-M8GRJ45-4S7.SUIE	L.61
1201211000	SAIL-M8GRJ45-4S10UIE	L.61
1201211500	SAIL-M8GRJ45-4S15UIE	L.61
1201212000	SAIL-M8GRJ45-4S20UIE	L.61
1201213000	SAIL-M8GRJ45-4S30UIE	L.61
1201214000	SAIL-M8GRJ45-4S40UIE	L.61
1203840000	SAI-M23 CRIMPING TOOL 1	M.14
1203960000	SAI-M23 CRIMPING TOOL 2	M.15

## 1220000000

12220620150	SAIP-M126BW-3-1.5U	B.33
1222270000	SAIE-M12B-5S2.0U HW	C.53
1222270050	SAIE-M12B-5S0.5U HW	C.53
1223650000	SAIE-M12B-6S2.0U HW	C.53
1223650050	SAIE-M12B-8S0.5U HW	C.53
1224020000	SAI-M23-SE-6-3.5MM	K.19
1224030000	SAI-M23-BE-6-3.5MM	K.19
1224040000	SAI-M23-BE-6-17MM	K.19
1224050000	SAI-M23-SE-6-10MM	K.19
1224060000	SAI-M23-SE-6-17MM	K.19
1224070000	SAI-M23-SE-7-F	K.19
1224080000	SAI-M23-BE-7-F	K.19
1224090000	SAI-M23-SE-7-3.5MM	K.19
1224100000	SAI-M23-BE-7-10MM	K.19
1224110000	SAI-M23-BE-7-17MM	K.19
1224120000	SAI-M23-SE-7-10MM	K.19
1224130000	SAI-M23-SE-7-17MM	K.19
1224140000	SAI-M23-SE-12-F	K.20
1224150000	SAI-M23-BE-12-F	K.20
1224160000	SAI-M23-SE-12-3.5MM	K.20
1224170000	SAI-M23-BE-12-10MM	K.20
1224180000	SAI-M23-SE-12-F-PE	K.20
1224190000	SAI-M23-BE-12-F-PE	K.20
1224210000	SAI-M23-BE-12-17MM	K.20
1224220000	SAI-M23-SE-12-10MM	K.20
1224230000	SAI-M23-SE-12-17MM	K.20
1224240000	SAI-M23-SE-16-F	K.21
1224250000	SAI-M23-BE-16-F	K.21
1224260000	SAI-M23-SE-16-3.5MM	K.21
1224270000	SAI-M23-BE-16-10MM	K.21
1224280000	SAI-M23-BE-16-17MM	K.21
1224290000	SAI-M23-SE-16-10MM	K.21
1224310000	SAI-M23-SE-16-17MM	K.21
1224320000	SAI-M23-SE-17-F	K.21
1224330000	SAI-M23-BE-17-F	K.21

Order No.	Type	Page
1224340000	SAI-M23-SE-17-3.5MM	K.21
1224350000	SAI-M23-BE-17-10 MM	K.21
1224360000	SAI-M23-BE-17-17MM	K.21
1224370000	SAI-M23-SE-17-10MM	K.21
1224380000	SAI-M23-SE-17-17MM	K.21
1224390000	SAI-M23-SE-19-F	K.22
1224400000	SAI-M23-BE-19-F	K.22
1224410000	SAI-M23-SE-19-3.5MM	K.22
1224420000	SAI-M23-BE-19-10MM	K.22
1224430000	SAI-M23-SE-19-F-PE	K.22
1224440000	SAI-M23-BE-19-F-PE	K.22
1224450000	SAI-M23-BE-19-17MM	K.22
1224460000	SAI-M23-SE-19-F-PEV	K.22
1224470000	SAI-M23-SE-19-10MM	K.22
1224480000	SAI-M23-SE-19-17MM	K.22
1224490000	SAI-M23-SE-9-F	K.20
1224500000	SAI-M23-BE-9-F	K.20
1224510000	SAI-M23-SE-9-3.5MM	K.20
1224520000	SAI-M23-BE-9-10MM	K.20
1224530000	SAI-M23-BE-9-17MM	K.20
1224540000	SAI-M23-SE-9-10MM	K.20
1224550000	SAI-M23-SE-9-17MM	K.20
1224560000	SAI-M23-SE-12-F-6	K.20
1224570000	SAI-M23-BE-12-F-6	K.20
1224580000	SAI-M23-SE-12-3.5MM-G	K.20
1224590000	SAI-M23-BE-12-10MM-G	K.20
1224610000	SAI-M23-BE-12-F-PE-G	K.20
1224620000	SAI-M23-SE-12-F-PE-G	K.20
1224630000	SAI-M23-SE-12-10MM-G	K.20
1224640000	SAI-M23-SE-12-17MM-G	K.21
1224650000	SAI-M23-SE-17-F-6	K.21
1224660000	SAI-M23-BE-17-F-6	K.21
1224670000	SAI-M23-SE-17-3.5MM-G	K.21
1224680000	SAI-M23-BE-17-10MM-G	K.21
1224690000	SAI-M23-BE-17-17MM-G	K.21
1224710000	SAI-M23-SE-17-10MM-G	K.21
1224720000	SAI-M23-SE-17-17MM-G	K.21
1224730000	SAI-M23-SE-9-F	K.20
1224740000	SAI-M23-BE-9-F	K.20
1224750000	SAI-M23-BE-9-10MM-G	K.20
1224760000	SAI-M23-BE-9-17MM-G	K.20
1224770000	SAI-M23-SE-9-10MM-G	K.20
1224780000	SAI-M23-SE-9-17MM-G	K.20

## 1230000000

1232620000	SAIH-PB-2XAWG24(PUR)	L.7
1232630000	SAIH-PB-PA-2X1.0(PVC)	L.26
1232640000	SAIH-PB-PA-2X1.0(PVC)	L.26

## 1240000000

1244790000	SAI-M23-SK-M	K.32
------------	--------------	------

## 1250000000

1254630000	SCREWTY SW9	M.5
1254640000	SCREWTY SW10	M.5
1254650000	SCREWTY SW13	M.5
1254660000	SCREWTY SW17	M.5
1254670000	SCREWTY SW18	M.5
1254680000	SCREWTY SW19	M.5
1258930000	SAIBM-8/9S-M12	C.12
1258940000	SAISM-8/9S-M12	C.12
1259010150	SAIL-M16BW-12-1.5U	B.25

## 1260000000

1264180000	PB-DP SUB-D M12 180	L.15
1265920000	SAI-6-F 4P M12 L5M	E.6
1265920000	SAI-6-F 4P M12 L5M	E.11
1265930000	SAI-6-F 4P M12 L10M	E.6
1265930000	SAI-6-F 4P M12 L10M	E.11
1265940000	SAI-6-S12 4P M12 L	E.6
1265940000	SAI-6-S12 4P M12 L	E.12
1267330000	SAI-4-S8 4P M12 L	E.6
1267330000	SAI-4-S8 4P M12 L	E.12
1268520000	SAIL-M12G-USB-3.0U	B.35
1268790000	SAIE-M16S5-HWM	C.57

## 1270000000

1271590150	SAIL-VSB-M8G-3-1.5U	B.66
1274250000	PB-DP SUB-D M12 180 OS	L.15
1275470150	SAIL-M12BW-8S1.5U	B.14
1275750000	SAIBW-5/8S-M12 5P A-ZF	C.5
1276060150	SAIL-M12W-8S1.5U	B.15
1276450150	SAIL-VSBD180M8G-3-1.5U	B.66
1278410150	SAIL-M12G-8-1.5U	B.14
1279420150	SAIL-M12W-8-1.5U	B.14
1279430150	SAIL-M12G-8S1.5U	B.15
1279440150	SAIL-M12GM12G-8-1.5U	B.14
1279450150	SAIL-M12GM12W-8-1.5U	B.14
1279460150	SAIL-M12GM12G-8S1.5U	B.15
1279470150	SAIL-M12GM12W-8S1.5U	B.15
1279480050	SAIE-M12B-PB-0.5U HW	L.6
1279480100	SAIE-M12B-PB-1.0U HW	L.6
1279480200	SAIE-M12B-PB-2.0U HW	L.6
1279480500	SAIE-M12B-PB-5.0U HW	L.6

Order No.	Type	Page
1279490050	SAIE-M12S-PB-0.5U HW	L.6
1279490100	SAIE-M12S-PB-1.0U HW	L.6
1279490200	SAIE-M12S-PB-2.0U HW	L.6
1279490500	SAIE-M12S-PB-5.0U HW	L.6

## 1280000000

1282890150	SAIL-M12BW-5-3LR1.5TP	B.17
1283550000	SAIE-M12S-12-0.5U-FPM16	C.49
1288000000	SAI-ADAPTER-M8/M8-3P/4P	C.44
1288203000	SAIL-M12BG-USB-3.0U	B.35
1289140000	SAIE-M12B-12-0.5U-FPM16	C.49

## 1290000000

1290830000	SCREWTY SW15	M.5
1291870000	SAIS-3/9-7/8	J.6
1291880000	SAIS-3/11-7/8	J.7
1291890000	SAISW-3/9-7/8	J.6
1291900000	SAISW-3/11-7/8	J.7
1291910000	SAIB-3/9-7/8	J.6
1291920000	SAIB-3/11-7/8	J.7
1291930000	SAIBW-3/9-7/8	J.6
1291940000	SAIBW-3/11-7/8	J.7
1291950000	SAIS-4/11-7/8	J.7
1291970000	SAIS-5/11-7/8	J.7
1291980000	SAISW-5/9-7/8	J.6
1291990000	SAISW-5/11-7/8	J.7
1292000000	SAIB-5/9-7/8	J.6
1292010000	SAIB-5/11-7/8	J.7
1292020000	SAIBW-5/9-7/8	J.6
1292030000	SAIBW-5/11-7/8	J.7
1292040000	SAISW-4/11-7/8	J.7
1292050000	SAIB-4/11-7/8	J.7
1292070000	SAIBW-4/11-7/8	J.7
1292080150	SAIL-7/8G-3-1.5U	J.13
1292090150	SAIL-7/8W-3-1.5U	J.13
1292100150	SAIL-7/8BG-3-1.5U	J.13
1292110150	SAIL-7/8BW-3-1.5U	J.13
1292120150	SAIL-7/8G-4-1.5U	J.13
1292130150	SAIL-7/8W-4-1.5U	J.13
1292140150	SAIL-7/8BG-4-1.5U	J.13
1292150150	SAIL-7/8BW-4-1.5U	J.13
1292170150	SAIL-7/8G-5-1.5U	J.13
1292180150	SAIL-7/8W-5-1.5U	J.13
1292190150	SAIL-7/8BG-5-1.5U	J.13
1292200150	SAIL-7/8BW-5-1.5U	J.13
1292330000	SAIE-7/8S-3-0.2U-PG13.5	J.9
1292340000	SAIE-7/8S-3-0.2U-PG13.5	J.10
1292350000	SAIE-7/8S-3-0.2UHW	J.8
1292370000	SAIE-7/8B-3-0.2U-PG11	J.9
1292380000	SAIE-7/8B-3-0.2U-PG13.5	J.10
1292390000	SAIE-7/8B-3-0.2UHW	J.8
1292400000	SAIE-7/8S-4-0.2U-PG11	J.9
1292410000	SAIE-7/8S-4-0.2U-PG13.5	J.10
1292420000	SAIE-7/8S-4-0.2UHW	J.8
1292430000	SAIE-7/8B-4-0.2U-PG11	J.9
1292440000	SAIE-7/8B-4-0.2U-PG13.5	J.10
1292450000	SAIE-7/8B-4-0.2UHW	J.8
1292470000	SAIE-7/8S-5-0.2U-PG11	J.9
1292480000	SAIE-7/8S-5-0.2U-PG13.5	J.10
1292490000	SAIE-7/8S-5-0.2UHW	J.8
1292500000	SAIE-7/8B-5-0.2U-PG11	J.9
1292510000	SAIE-7/8B-5-0.2U-PG13.5	J.10
1292520000	SAIE-7/8B-5-0.2UHW	J.8
1292620150	SAIL-M12BG-3L-1.5U	B.16
1296730000	SAI-M23-BE-12G	K.14
1299390000	SAI-M23-GS-11/17	K.12

## 1300000000

1301220000	SAIS-5/9-7/8	J.6
1302920000	THM MMP EXTRH	M.23
1304		

Order No.	Type	Page
<b>1400000000</b>		
1408270000	SAI-M23-SK-FP	K.32
1408280000	SAI-M23-SK-MP	K.32

## 1410000000

1412620000	SAIH-5X0.34(PVC)	B.74
1413920000	SAI-Y-7/8 3P	J.12
1413930000	SAI-Y-7/8 4P	J.12
1413940000	SAI-Y-7/8 5P	J.12
1416330000	THM MMP PERFORATOR	M.23
1416410000	SAI-M23-SK-F	K.32
1417920000	SAI-M23-SK-FFS	K.32
1418040000	SAIE-7/8S-0.2U-M20	J.11
1418050000	SAIE-7/8S-4.0U-M20	J.11

## 1420000000

1423530000	SAISM-8/7S-M12	C.12
1423540000	SAIBM-8/7S-M12	C.12
1424270150	SAIL-M12BG-12S1.5U	B.15
1424280150	SAIL-M12BW-12S1.5U	B.15
1426210000	RIBBON HSS HF EL.40/300	M.23

## 1430000000

1431490000	SAI-4-M-4P-M12.5SV	D.33
1437510150	SAIL-M12WM8G-4.1.5U	B.5
1437510300	SAIL-M12WM8G-4.3.0U	B.5
1437510500	SAIL-M12WM8G-4.5.0U	B.5
1437511000	SAIL-M12WM8G-4.10U	B.5

## 1440000000

1449400000	SAI-04L-VP12-3A-M08L-1.1	E.40
------------	--------------------------	------

## 1450000000

1452440000	SAI-M23-GS-7/12-VA	K.26
1452450000	SAIE-M23-S-VV-VA	K.27

## 1460000000

1460290000	SAIS-WDF3+PE-M20-S-COD	D.23
1460300000	SAIB-WDF3+PE-M20-S-COD	D.23
1460310000	SAIEM-12B-3+PE-S-0.5U-M16	D.27
1460320000	SAIEM-12S-3+PE-S-0.5U-M16	D.27
1460330000	SAIEM-12B-4-T-0.5U-M16	D.27
1460340000	SAIEM-12S-4-T-0.5U-M16	D.27
1461930000	SAIS-8/9-KV	C.10
1467550000	SAISM-3/9S-M8	C.16
1467560000	SAIBM-3/9S-M8	C.16
1467570000	SAISM-4/9S-M8	C.16
1467580000	SAIBM-4/9S-M8	C.16
1467590000	SAIE-MBS-8-0.2U-FP	C.51
1467610000	SAIE-MBS-8-TL-HW	C.54
1467620000	SAIE-MBS-8-0.2U-HW	C.51
1467630000	SAIEM-MBS-8-0.2U-FP	C.51
1467640000	SAIEM-MBS-8-0.2U-HW	C.51
1467650000	SAIEM-MBS-8-TL-HW	C.54
1467660000	SAISW-4/11-1.5	D.14
1467670000	SAIBW-4/11-1.5	D.14
1467680000	SAISW-5/11-1.5	D.14
1467690000	SAIBW-5/11-1.5	D.14
1467710000	SAIEM-12S-4S-TLHW-PG9	C.56
1467720000	SAIEM-12S-5S-TLHW-PG9	C.56
1467730000	SAIEM-12S-8S-TLHW-PG9	C.56
1467740000	SAIEM-12S-12S-TLHW-PG9	C.56
1467750000	SAIEW-M12S-4S-TLHW-PG9	C.56
1467760000	SAIEW-M12S-5S-TLHW-PG9	C.56
1467770000	SAIEM-12B-4S-TLHW-PG9	C.56
1467780000	SAIEM-12B-5S-TLHW-PG9	C.56
1467790000	SAIEM-12B-8S-TLHW-PG9	C.56
1467810000	SAIEM-12B-12S-TLHW-PG9	C.56
1467820000	SAIEW-M12B-4S-TLHW-PG9	C.56
1467830000	SAIEW-M12B-5S-TLHW-PG9	C.56
1467840000	SAISC-M-4/8S-M12-D-COD	L.72
1467850000	SAISWC-M4/8S-M12-D-COD	L.72
1467860000	SAISW-3+PE/11-S-COD	D.15
1467870000	SAIBW-3+PE/11-S-COD	D.15
1467880000	SAISW-4/11-T-COD	D.16
1467890000	SAIBW-4/11-T-COD	D.16
1467930000	SAIEM-12S-3+PE-S-0.2U-M16	D.27
1467940000	SAIEM-12B-3+PE-S-0.2U-M16	D.27
1467950000	SAIEM-12S-4-T-0.2U-M16	D.27
1467960000	SAIEM-12B-4-T-0.2U-M16	D.27
1468860000	SAI-M12-KSC0.34/0.5	L.72
1469360150	SAIL-M8GM8G-4.1.5UGE	B.36

## 1470000000

1471490000	SAIE-7/8-S-0.2U-M20	J.11
1471510000	SAIE-7/8-B-3-0.2U-M20	J.11
1471520000	SAIE-7/8-B-4-0.2U-M20	J.11
1473460000	SAI-ADAPT-M8/M12 3P	C.44
1479400000	SAIE-M23-S-EM-VA	K.27
1479410000	SAI-M23-GSL-7/12-VA	K.26
1479420000	SAIE-M23-L-EM-VA	K.27

Order No.	Type	Page
<b>1480000000</b>		
1483880000	SAIE-M23-L-VV-VA	K.27

## 1510000000

1513130500	SAIL-M8WM12G-4.5.0U	B.6
1515140000	SAI-Y-5 AND 2M12	C.41

## 1520000000

1524700000	SAI-Y-3/3 M8-M8	C.41
1524720000	SAI-Y-4/3 M8-M8	C.42
1525690300	SAIL-VSAV-3.0U	B.62

## 1530000000

1535470150	SAIL-M8WM8G-4.1.5U	B.5
1535470300	SAIL-M8WM8G-4.3.0U	B.5
1535470500	SAIL-M8WM8G-4.5.0U	B.5

## 1540000000

1542580000	SAI-4-M-MV-M12 S-COD	D.35
1543490000	SAI-WDF 8P M12 M16	C.45
1548810000	SAIS-M16-12/9	C.38
1548820000	SAIS-M16-16/9	C.38
1548830000	SAIB-M16-12/9	C.38
1548840000	SAIB-M16-16/9	C.38
1549100150	SAIL-VSAV-230V-1.5U	B.62

## 1550000000

1550230100	SAIL-M8GM8G-3L1.0U	B.38
1550580000	CAN SUB-D SK TERM	L.57
1550590000	CAN SUB-D SK TERM PS	L.59
1550600000	CAN SUB-D SK35 TERM	L.56
1550610000	CAN SUB-D SK35 TERM PS	L.56
1550620000	SAI-Y-3/3 M8-M8 U	C.42
1551080000	SAI-SUB-D 9 SK35	L.60
1555270000	CAN SUB-D M12 TERM	L.55
1555280000	CAN SUB-D M12 TERM PS	L.55
1555290000	CAN SUB-D M12 180 TERM	L.58
1555300000	CAN SUB-D SK	L.57
1555330150	SAIL-M8G-8-1.5U	B.21
1555340150	SAIL-M8W-8-1.5U	B.21
1555370150	SAIL-M8BG-8-1.5U	B.21
1555380150	SAIL-M8BW-8-1.5U	B.21

## 1590000000

1597410000	BL 3.50/07/180 SM DR BX	E.31
------------	-------------------------	------

## 1600000000

1609940000	ESG 9/20 MC NE WS	M.19
1609950000	ESG 9/20 MC SDR	M.19

## 1700000000

1701230000	SAI-4-M 5P M12	E.6
1701230000	SAI-4-M 5P M12	E.7
1701231000	SAI-4-M 5P M12 UT	E.7
1701231000	SAI-4-M 5P M12 UT	E.38
1701232000	SAI-4-MH-5P M12	E.23
1701232000	SAI-4-MH-5P M12	E.25
1701240000	SAI-6-M 5P M12	E.6
1701240000	SAI-6-M 5P M12	E.7
1701241000	SAI-6-M 5P M12 UT	E.7
1701241000	SAI-6-M 5P M12 UT	E.38
1701242000	SAI-6-MH-5P M12	E.23
1701242000	SAI-6-MH-5P M12	E.25
1701250000	SAI-8-M 5P M12	E.6
1701250000	SAI-8-M 5P M12	E.7
1701251000	SAI-8-M 5P M12 UT	E.7
1701251000	SAI-8-M 5P M12 UT	E.38
1701252000	SAI-8-MH-5P M12	E.23
1701252000	SAI-8-MH-5P M12	E.25
1701253000	SAI-8-MH-5P M12	E.23
1701253000	SAI-8-MH-5P M12	E.26
1705920000	SAI-4-M 4P M12	E.6
1705920000	SAI-4-M 4P M12	E.7
1705921000	SAI-4-M 4P M12 UT	E.7
1705921000	SAI-4-M 4P M12 UT	E.38
1705922000	SAI-4-MH-4P M12	E.23
1705922000	SAI-4-MH-4P M12	E.25
1705923000	SAI-4-MHD-4P M12	E.23
1705930000	SAI-6-M 4P M12	E.6
1705930000	SAI-6-M 4P M12	E.7
1705931000	SAI-6-M 4P M12 UT	E.7
1705931000	SAI-6-M 4P M12 UT	E.38
1705932000	SAI-6-MH-4P M12	E.23
1705932000	SAI-6-MH-4P M12	E.25
1705940000	SAI-8-M 4P M12	E.6
1705940000	SAI-8-M 4P M12	E.7
1705941000	SAI-8-M 4P M12 UT	E.7
1705941000	SAI-8-M 4P M12 UT	E.38
1705942000	SAI-8-MH-4P M12	E.23

Order No.	Type	Page
1705942000	SAI-8-MH-4P M12	E.25
1705943000	SAI-8-MHD-4P M12	E.23
1705943000	SAI-8-MHD-4P M12	E.26

## 1710000000

1718411887	TM-12 MC NE GE	L.62
1718411887	TM-12 MC NE GE	L.63
1718411887	TM-12 MC NE GE	L.64
1718411887	TM-12 MC NE GE	L.65
1718411887	TM-12 MC NE GE	L.66
1718411887	TM-12 MC NE GE	L.67
1718411887	TM-12 MC NE GE	L.68
1718411887	TM-12 MC NE GE	L.69
1718431044	TM-18 MC NE WS	M.18
1718431687	TM-18 MC NE GE	L.62
1718431687	TM-18 MC NE GE	L.63
1718431687	TM-18 MC NE GE	L.64
1718431687	TM-18 MC NE GE	L.65
1718431687	TM-18 MC NE GE	L.66
1718431687	TM-18 MC NE GE	L.67
1718431687	TM-18 MC NE GE	L.68
1718431687	TM-18 MC NE GE	L.69
1718431687	TM-18 MC NE GE	M.18
1718440000	TM-18 MC SDR	M.18
1719840000	TM 4/12 HF/HB	L.64
1719840000	TM 4/12 HF/HB	L.65
1719840000	TM 4/12 HF/HB	L.66
1719840000	TM 4/12 HF/HB	L.67
1719840000	TM 4/12 HF/HB	L.68
1719840000	TM 4/12 HF/HB	L.69
1719850000	TM 4/18 HF/HB	L.64
1719850000	TM 4/18 HF/HB	L.65
1719850000	TM 4/18 HF/HB	L.68
1719850000	TM 4/18 HF/HB	L.69
1719850000	TM 4/18 HF/HB	M.18

## 1720000000

1724750000	SAI-4/6/8-MH BL3.5	E.7
1724750000	SAI-4/6/8-MH BL3.5	E.20
1724750000	SAI-4/6/8-MH BL3.5	E.28
1724750050	SAI-4/6/8-MH BL3.5 SV	E.15
1724750050	SAI-4/6/8-MH BL3.5 SV	E.17
1724750050	SAI-4/6/8-MH BL3.5 SV	E.23
1724752000	SAI-4/6/8 MH-MH BL 3.5	E.25
1724753000	SAI-4/6/8 MH-MHD BL 3.5	E.23
1724753000	SAI-4/6/8 MH-MHD BL 3.5	E.26
1724754000	SAI-4/6/8 MH-MH BL 3.5	E.24

## 1730000000

1736230000	GWDR M16-NP	L.77
1737070000	VP M16-EXE-SW	L.77

## 1740000000

1740190000	SAI-8-M 5P M12 OL	E.8
1740191000	SAI-8-M 5P M12 OL UT	E.8
1747320001	SFC 1/12 MC NE WS	M.17
1747320002	SFC 1/12 MC NE BL	M.17
1747320003	SFC 1/12 MC NE RT	M.17
1747320004	SFC 1/12 MC NE GE	M.17

## 1750000000

1752080000	SAI-4/6/8-MH BLZF3.5	E.7
1752080000	SAI-4/6/8-MH BLZF3.5	E.20
1752080050	SAI-4/6/8-MH BLZF3.5 SV	E.7
1752080050	SAI-4/6/8-MH BLZF3.5 SV	E.15
175208		



Order No.	Type	Page
1791462000	SAI-4/6/8-MHF 5P PUR20M	E.38
1791462800	SAI-4/6/8-MHF 5P PUR28M	E.38
1791463400	SAI-4/6/8-MHF 5P PUR34M	E.38
1791464000	SAI-4/6/8-MHF 5P PUR40M	E.38
1791465000	SAI-4/6/8-MHF 5P PUR50M	E.38
1791465500	SAI-4/6/8-MHF 5P PUR55M	E.38
1794850000	SAI-SK-M12 IDC	C.46
1794850000	SAI-SK-M12 IDC	E.19
1796020000	SAI-HDC-TOOL	E.19
1795470000	SAI-8-S 5P M12	E.6
1795500000	POS-5P M12 8-COD M20 300MM	L.29
1798480000	TM 203/18'V0	M.18
1799860000	SAI-8-MF 4P PUR 5M M12	E.38

## 1800000000

1800000000	SAI-4-M 5P M12 OL	E.8
1800001000	SAI-4-M 5P M12 OL UT	E.8
1802750000	SAI-SK M12 MT	C.46
1802760000	SAI-SK M8	C.46
1803850000	SAIS-M8-4P	C.6
1803850000	SAIS-M8-4P	C.15
1803860000	SAIS-M8-3P	C.6
1803860000	SAIS-M8-3P	C.15
1803870000	SAIB-M8-3P	C.6
1803870000	SAIB-M8-3P	C.15
1803880000	SAIB-M8-4P	C.6
1803880000	SAIB-M8-4P	C.15
1803910000	SAIBW-M4/8 M12	C.5
1803910000	SAIBW-M4/8 M12	C.11
1803910000	SAIBW-M4/8 M12	L.27
1803920000	SAIBW-M5/8 M12	C.5
1803920000	SAIBW-M5/8 M12	C.11
1803920000	SAIBW-M5/8 M12	L.27
1803920000	SAIBW-M5/8 M12	L.54
1803930000	SAISW-M4/8 M12	C.5
1803930000	SAISW-M4/8 M12	C.11
1803930000	SAISW-M4/8 M12	L.27
1803930001	SAISW-4/8S-M12 4P D-ZF	C.5
1803930001	SAISW-4/8S-M12 4P D-ZF	C.26
1803940000	SAISW-M5/8 M12	C.5
1803940000	SAISW-M5/8 M12	C.11
1803940000	SAISW-M5/8 M12	L.27
1803940000	SAISW-M5/8 M12	L.54
1804580000	SAI-4-MF 5P PUR 10M	E.38
1804580000	SAI-8-MF 5P PUR 5M	E.38
1804600000	SAI-4-MF 5P PUR 5M	E.38
1805660000	SAI-Y4S M8-M8	C.41
1805720000	SFC 1/30 MC NE BL	M.17
1805730000	SFC 1/30 MC NE GE	M.17
1805740000	SFC 1/30 MC NE RT	M.17
1805750000	SFC 1/30 MC SDR	M.17
1805760000	SFC 1/30 MC NE WS	M.17
1805770000	SFC 2/21 MC NE BL	M.17
1805780000	SFC 2/21 MC NE GE	M.17
1805790000	SFC 2/21 MC NE RT	M.17
1805800000	SFC 2/21 MC SDR	M.17
1805810000	SFC 2/21 MC NE WS	M.17
1805820000	SFC 2/30 MC NE BL	M.17
1805830000	SFC 2/30 MC NE GE	M.17
1805850000	SFC 2/30 MC NE RT	M.17
1805860000	SFC 2/30 MC SDR	M.17
1805870000	SFC 2/30 MC NE WS	M.17
1806010000	SAI-4-M 5P M12 1:1	E.27
1806010000	SAI-4-M 5P M12 1:1 UT	E.27
1807230000	SAIB-4/9	C.5
1807230000	SAIB-4/9	C.7
1807240000	SAIBW-4/9	C.5
1807240000	SAIBW-4/9	C.7
1807250000	SAIB-5/9	C.5
1807250000	SAIB-5/9	C.8
1807330000	SAIBW-5/9	C.5
1807330000	SAIBW-5/9	C.8
1807340000	SAIS-4/9	C.5
1807340000	SAIS-4/9	C.7
1807350000	SAIS-5/9	C.5
1807350000	SAIS-5/9	C.8
1807360000	SAISW-4/9	C.5
1807360000	SAISW-4/9	C.7
1807370000	SAISW-5/9	C.5
1807370000	SAISW-5/9	C.8
1807640000	SAI-4-M 8P M12	E.28
1807640000	SAI-4-M 8P M12 UT	E.28
1808830000	SAISW-4/9-7/8	J.6
1808830000	SAISW-4/9-7/8	L.76
1808840000	SAIS-4/9-7/8	J.6
1808840000	SAIS-4/9-7/8	L.76
1808970150	SAILM12BW-4S1.5U	B.18

## 1810000000

1812170000	SAI-8-S 4P M12 F10	E.31
1812470000	SAIBW-4/9-7/8	J.6
1812470000	SAIBW-4/9-7/8	L.76
1812480000	SAIB-4/9-7/8	J.6
1812480000	SAIB-4/9-7/8	L.76
1812540150	SAILM12BG-4S1.5U	B.18
1812550150	SAILZWM12BG-2/4-1.5U	B.41
1812870000	SAISW-4-IDC M12	C.28

Order No.	Type	Page
1812890000	SAIBW-4-IDC M12	C.28
1813130000	SFC 0/12 MC NE WS	M.17
1813150000	SFC 0/12 MC NE RT	M.17
1813160000	SFC 0/12 MC NE GE	M.17
1813170000	SFC 0/12 MC NE BL	M.17
1813180000	SFC 0/12 MC SDR	M.17
1813190000	SFC 0/21 MC NE WS	M.17
1813200000	SFC 0/21 MC NE RT	M.17
1813210000	SFC 0/21 MC NE GE	M.17
1813220000	SFC 0/21 MC NE BL	M.17
1813230000	SFC 0/21 MC SDR	M.17
1813240000	SFC 0/30 MC NE WS	M.17
1813250000	SFC 0/30 MC NE RT	M.17
1813260000	SFC 0/30 MC NE GE	M.17
1813270000	SFC 0/30 MC NE BL	M.17
1813280000	SFC 0/30 MC SDR	M.17
1814890000	SAIE-M12B-5-0.5U-P69	C.50
1814990000	SAI-8-F 5P NPN-PNP 5M	E.29
1815670150	SAILM12WM12W-3-1.5U	B.7
1815670150	SAILM12WM12W-3-1.5U	B.27
1815670300	SAILM12WM12W-3-3.0U	B.7
1815670500	SAILM12WM12W-3-5.0U	B.7
1815671000	SAILM12WM12W-3-10U	B.7
1816610000	SAI-8-M 5P M12 OL2	E.8
1818090100	SAIS-M23-19P-AN-1.0M	K.34
1818140100	SAIB-M23-19P-AN-1.0M	K.34
1818160100	SAIS-M23-19P-ST-1.0M	K.34
1818180100	SAIB-M23-19P-ST-1.0M	K.34

## 1820000000

1821050150	SAILM12WM12G-3-1.5U	B.6
1821050300	SAILM12WM12G-3-3.0U	B.6
1821050500	SAILM12WM12G-3-5.0U	B.6
1821051000	SAILM12WM12G-3-10U	B.6
1824570000	SAIL-M8GM8G-3-X.U	B.4
1824570150	SAIL-M8GM8G-3-1.5U	B.4
1824570150	SAIL-M8GM8G-3-1.5U	B.36
1824570300	SAIL-M8GM8G-3-3.0U	B.4
1824570500	SAIL-M8GM8G-3-5.0U	B.4
1824571000	SAIL-M8GM8G-3-10U	B.4
1824580000	SAIL-M8GM8W-3-X.U	B.5
1824580150	SAIL-M8GM8W-3-1.5U	B.5
1824580150	SAIL-M8GM8W-3-1.5U	B.36
1824580300	SAIL-M8GM8W-3-3.0U	B.5
1824580500	SAIL-M8GM8W-3-5.0U	B.5
1824581000	SAIL-M8GM8W-3-10U	B.5
1824590000	SAIL-M8G-3-X.U	B.4
1824590150	SAIL-M8G-3-1.5U	B.4
1824590150	SAIL-M8G-3-1.5U	B.20
1824590300	SAIL-M8G-3-3.0U	B.4
1824590500	SAIL-M8G-3-5.0U	B.4
1824591000	SAIL-M8G-3-10U	B.4
1828680000	SAI-Y5S-M12/M12	C.40
1827010150	SAIL-M8BWR-3-1.5U	B.22
1827020150	SAIL-M8BGR-3-1.5U	B.22
1828610000	SAI-08LVPPC-4A-M08L-PNP-10006	E.6
1828610000	SAI-08LVPPC-4A-M08L-PNP-10006	E.41
1828620000	SAI-08LVPPC-4A-M08L-PNP-05006	E.6
1828620000	SAI-08LVPPC-4A-M08L-PNP-05006	E.41
1828630000	SAI-12LVPPC-3A-M08L-PNP-10005	E.6
1828630000	SAI-12LVPPC-3A-M08L-PNP-10005	E.41
1828640000	SAI-12LVPPC-3A-M08L-PNP-05005	E.6
1828640000	SAI-12LVPPC-3A-M08L-PNP-05005	E.41
1828650000	SAI-10LVPPC-3A-M08L-PNP-10004	E.6
1828650000	SAI-10LVPPC-3A-M08L-PNP-10004	E.41
1828660000	SAI-10LVPPC-3A-M08L-PNP-05004	E.6
1828660000	SAI-10LVPPC-3A-M08L-PNP-05004	E.41
1828670000	SAI-08LVPPC-3A-M08L-PNP-10003	E.6
1828670000	SAI-08LVPPC-3A-M08L-PNP-10003	E.41
1828680000	SAI-08LVPPC-3A-M08L-PNP-05003	E.6
1828680000	SAI-08LVPPC-3A-M08L-PNP-05003	E.41
1828690000	SAI-06LVPPC-3A-M08L-PNP-10002	E.6
1828690000	SAI-06LVPPC-3A-M08L-PNP-10002	E.41
1828700000	SAI-06LVPPC-3A-M08L-PNP-05002	E.6
1828700000	SAI-06LVPPC-3A-M08L-PNP-05002	E.41
1828710000	SAI-04LVPPC-3A-M08L-PNP-10001	E.6
1828710000	SAI-04LVPPC-3A-M08L-PNP-10001	E.41
1828720000	SAI-04LVPPC-3A-M08L-PNP-05001	E.6
1828720000	SAI-04LVPPC-3A-M08L-PNP-05001	E.41
1828730000	SAI-06LVVP12-3A-M08L-PNP	E.6
1828730000	SAI-06LVVP12-3A-M08L-PNP	E.39
1828740000	SAI-04LVVP12-3A-M08L-PNP	E.6
1828740000	SAI-04LVVP12-3A-M08L-PNP	E.39

## 1830000000

1836910000	SAIE-M12B-5-0.5U-M16	C.49
1836960000	SAIB-8/9	C.5
1836960000	SAIB-8/9	C.8
1836970000	SAIS-8/9	C.5
1836970000	SAIS-8/9	C.8
1837560000	SAIS-ZWW	C.9

## 1840000000

1845120150	SAILVSA-1.5U(0.5)	B.61
1845140150	SAILVSB-180-1.5U(0.5)	B.65
1845160150	SAILVSD-180-1.5U(0.5)	B.65

Order No.	Type	Page
1847560000	SAI-8-S 5P M12 SL	E.32
1847920000	SAI-8-S 4P FC	E.16
1847920000	SAI-8-S 4P FC	K.35
1847960000	SAI-4-S 4P FC	E.16
1847960000	SAI-4-S 4P FC	K.35
1847970000	SAI-4-S 5P FC	E.16
1847970000	SAI-4-S 5P FC	K.35
1848040000	SAI-8-S 5P FC	E.16
1848040000	SAI-8-S 5P FC	K.35
1849670000	SAI-06LVPPC-4A-M08L-PNP-10005	E.6
1849670000	SAI-06LVPPC-4A-M08L-PNP-10005	E.41
1849680000	SAI-04LVPPC-4A-M08L-PNP-05003	E.6
1849680000	SAI-04LVPPC-4A-M08L-PNP-05003	E.41
1849690000	SAI-04LVPPC-4A-M08L-PNP-10003	E.6
1849690000	SAI-04LVPPC-4A-M08L-PNP-10003	E.41
1849700000	SAI-06LVPPC-4A-M08L-PNP-05005	E.6
1849700000	SAI-06LVPPC-4A-M08L-PNP-05005	E.41

## 1850000000

1852720000	SAIS-3-4-5-IDC(0.75)M12	C.28
1852730000	SAIB-3-4-5-IDC(0.75)M12	C.5
1852730000	SAIB-3-4-5-IDC(0.75)M12	C.28
1852740000	SAIS-4-IDC(0.75)M12	C.5
1852740000	SAIS-4-IDC(0.75)M12	C.28
1852750000	SAIB-4-IDC(0.75)M12	C.28
1854000000	SAI-4-M 5P M12 ZF	E.7
1856110000	SAIE-M12B-5-0.5U-FP-M16	C.49
1856120000	SAIE-M12S-5-0.5U-P69	C.50
1856130000	SAIE-M8B-3-0.5U-FP-M8	C.52
1856140000	SAIE-M8B-4-0.5U-FP-M8	C.52
1856780000	MFF 10/6 MC NE WS	M.19
1857550000	SAILM8W-3-X.U	B.4
1857550150	SAILM8W-3-1.5U	B.4
1857550150	SAILM8W-3-1.5U	B.20
1857550300	SAILM8W-3-3.0U	B.4
1857550500	SAILM8W-3-5.0U	B.4
1857551000	SAILM8W-3-10U	B.4
1857560000	SAILM8W-4-X.U	B.4
1857560150	SAILM8W-4-1.5U	B.4
1857560150	SAILM8W-4-1.5U	B.20
1857560300	SAILM8W-4-3.0U	B.4
1857560500	SAILM8W-4-5.0U	B.4
1857561000	SAILM8W-4-10U	B.4
1857566000	SAILM8GM8W-4-X.U	B.5
18575660150	SAILM8GM8W-4-1.5U	B.5
18575660150	SAILM8GM8W-4-1.5U	B.36
18575660300	SAILM8GM8W-4-3.0U	B.5
18575660500	SAILM8GM8W-4-5.0U	B.5
1857661000	SAILM8GM8W-4-10U	B.5
1857670000	SAILM8W8W-3-X.U	B.5
1857670150	SAILM8W8W-3-1.5U	B.5
1857670150	SAILM8W8W-3-1.5U	B.36
1857670300	SAILM8W8W-3-3.0U	B.5
1857670500	SAILM8W8W-3-5.0U	B.5
1857671000	SAILM8W8W-3-10U	B.5
1857680000	SAILM8W8W-4-X.U	B.5
1857680150	SAILM8W8W-4-1.5U	B.5
1857680150	SAILM8W8W-4-1.5U	B.36
1857680300	SAILM8W8W-4-3.0U	B.5
1857680500	SAILM8W8W-4-5.0U	B.5
1857681000	SAILM8W8W-4-10U	B.5
1857690150	SAILVSA-M12W-1.5U	B.61
1857700150	SAILVSB-M12W-1.5U	B.64
1857720150	SAILVSC-M12W-1.5U	B.67
1857730150	SAILVSD-M12W-1.5U	B.67
1859120000	SAI-8-SH 4P FC	E.17
1859120000	SAI-8-SH 4P FC	K.36
1859140000	SAI-8-SH 5P FC	E.17
1859140000	SAI-8-SH 5P FC	K.36

## 1860000000

1861090000	SAIE-M12S-4-0.5U-M16	C.49
1861100000	SAIE-M12S-8-	





Order No.	Type	Page
2422580000	SAIE-M12S-4-F10TL	1.28
2422590000	SAIE-MBS-4S-F13SMT	1.16
2422600000	SAID-M12S-5-9SMT	1.5
2422600000	SAID-M12S-5-9SMT	1.39
2422610000	SAIE-M12S-4S-F10TL	1.33
2422620000	SAIE-MBS-4S-H0SMT	1.15
2422630000	SAID-M12S-5-9SMT-TR	1.40
2422640000	SAIE-M12S-5-F10TL	1.28
2422650000	SAIE-MBS-5-F9SMT	1.14
2422670000	SAIE-M12S-5S-F10TL	1.33
2422680000	SAIE-MBS-5-F13SMT	1.14
2422700000	SAIE-M12B-4-H10TL	1.28
2422710000	SAIE-MBS-8S-F9SMT	1.16
2422720000	SAID-M12SB-4S-9SMT	1.5
2422720000	SAID-M12SB-4S-9SMT	1.41
2422730000	SAIE-M12B-4S-H10TL	1.33
2422740000	SAIE-MBS-8S-F13SMT	1.16
2422750000	SAID-M12SB-4S-9SMT-TR	1.42
2422760000	SAIE-M12B-5-H10TL	1.28
2422770000	SAIE-MBS-8S-H10SMT	1.15
2422780000	SAID-M12SB-5S-9SMT	1.5
2422780000	SAID-M12SB-5S-9SMT	1.41
2422790000	SAIE-M12B-5S-H10TL	1.33
2422800000	SAIE-MBS-3-F9THR	1.10
2422810000	SAID-M12SB-5S-9SMT-TR	1.42
2422820000	SAIE-M12S-4-H10TL	1.28
2422830000	SAIE-MBS-3-F13THR	1.10
2422840000	SAID-M12BB-4S-9SMT	1.5
2422840000	SAID-M12BB-4S-9SMT	1.41
2422850000	SAIE-M12S-4S-H10TL	1.33
2422860000	SAIE-MBS-3-F9THR	1.10
2422870000	SAID-M12BB-4S-9SMT-TR	1.42
2422880000	SAIE-M12S-5-H10TL	1.28
2422890000	SAIE-MBS-3-F13THR	1.10
2422900000	SAID-M12BB-5S-9SMT	1.5
2422900000	SAID-M12BB-5S-9SMT	1.41
2422910000	SAIE-M12S-5S-H10TL	1.33
2422920000	SAIE-MBS-3S-F9THR	1.12
2422930000	SAID-M12BB-5S-9SMT-TR	1.42
2422940000	SAIE-M12B-4-F5.5TL	1.27
2422950000	SAIE-MBS-3S-F13THR	1.12
2422960000	SAID-M12BD-4S-9SMT	1.5
2422960000	SAID-M12BD-4S-9SMT	1.41
2422970000	SAIE-M12B-4S-F5.5TL	1.32
2422980000	SAIE-MBS-4-H6THR	1.11
2422990000	SAID-M12BD-4S-9SMT-TR	1.42
2423000000	SAIE-M12B-5-F5.5TL	1.27
2423010000	SAIE-MBS-4S-F9THR	1.12
2423020000	SAIE-M12B-4-13/14SMT	1.36
2423030000	SAIE-M12B-5S-F5.5TL	1.32
2423040000	SAIE-MBS-4S-F13THR	1.12
2423050000	SAIE-M12B-5-13/14SMT	1.36
2423060000	SAIE-M12B-4-F5.5TL	1.27
2423070000	SAIE-MBS-4-F9THR	1.10
2423080000	SAIE-M12B-8-13/14SMT	1.36
2423090000	SAIE-M12S-4S-F5.5TL	1.32
2423100000	SAIE-MBS-4-F13THR	1.10
2423110000	SAIE-M12B-4S-13/14SMT	1.37
2423120000	SAIE-M12S-5-F5.5TL	1.27
2423130000	SAIE-MBS-4-H6THR	1.11
2423140000	SAIE-M12B-5S-13/14SMT	1.37
2423150000	SAIE-M12S-5S-F5.5TL	1.32
2423160000	SAIE-MBS-4S-F9THR	1.12
2423170000	SAIE-M12B-8S-13/14SMT	1.37
2423180000	SAIE-M12B-4-H5.5TL	1.27
2423200000	SAIE-M12S-4-9/14SMT	1.36
2423210000	SAIE-M12B-4S-H5.5TL	1.32
2423220000	SAIE-MBS-4S-H10THR	1.11
2423230000	SAIE-M12S-5-9/14SMT	1.36
2423240000	SAIE-M12B-5-H5.5TL	1.27
2423250000	SAIE-MBS-5-F9THR	1.10
2423260000	SAIE-M12S-8-9/14SMT	1.36
2423270000	SAIE-M12B-5S-H5.5TL	1.32
2423280000	SAIE-MBS-5-F13THR	1.10
2423290000	SAIE-M12S-4S-9/14SMT	1.37
2423300000	SAIE-M12S-4-H5.5TL	1.27
2423310000	SAIE-MBS-8S-F9THR	1.12
2423320000	SAIE-M12S-5S-9/14SMT	1.37
2423330000	SAIE-M12S-4S-H5.5TL	1.32
2423340000	SAIE-MBS-8S-F13THR	1.12
2423350000	SAIE-M12S-8S-9/14SMT	1.37
2423360000	SAIE-M12S-5-H5.5TL	1.27
2423370000	SAIE-MBS-8S-H10THR	1.11
2423380000	SAID-M12B-8S-9SMT	1.5
2423390000	SAID-M12B-8S-9SMT	1.41
2423400000	SAIE-M12S-5S-H5.5TL	1.32
2423410000	SAIE-MBS-8S-H6TL	1.7
2423420000	SAID-M12B-8S-9SMT-TR	1.40
2423430000	SAIE-M12B-4-HTL	1.29
2423440000	SAIE-MBS-3S-F9TL	1.8
2423450000	SAIE-M12B-8-9/14SMT	1.36
2423460000	SAIE-M12B-4S-HTL	1.30
2423470000	SAIE-MBS-3S-F13TL	1.8
2423480000	SAIE-M12B-8S-9/14SMT	1.37
2423490000	SAIE-M12B-5-HTL	1.29
2423500000	SAID-M12S-4S-9SMT	1.39
2423510000	SAIE-M12B-5S-HTL	1.30

Order No.	Type	Page
2423520000	SAIE-MBS-3S-H10TL	1.7
2423530000	SAID-M12S-4S-9SMT-TR	1.40
2423540000	SAIE-M12B-4-HTL	1.29
2423550000	SAIE-MBS-4S-F9TL	1.8
2423560000	SAID-M12S-5S-F9TL	1.39
2423570000	SAIE-M12B-4S-F9TL	1.30
2423580000	SAIE-MBS-4S-H10TL	1.7
2423590000	SAID-M12S-5S-9SMT-TR	1.40
2423600000	SAIE-M12B-5-FTL	1.29
2423610000	SAIE-MBS-4S-H6TL	1.7
2423620000	SAID-M12S-8S-9SMT	1.5
2423630000	SAID-M12S-8S-9SMT	1.39
2423640000	SAIE-M12B-5S-FTL	1.30
2423640000	SAIE-MBS-4S-H10TL	1.7
2423650000	SAID-M12S-8S-9SMT-TR	1.40
2423660000	SAIE-M12S-4-HTL	1.29
2423670000	SAIE-MBS-5S-F13TL	1.8
2423680000	SAIE-M12BB-4S-9/14SMT	1.38
2423690000	SAIE-M12S-4S-HTL	1.30
2423700000	SAIE-MBS-5S-H6TL	1.7
2423710000	SAIE-M12BB-5S-9/14SMT	1.38
2423720000	SAIE-M12S-5-HTL	1.29
2423730000	SAIE-MBS-8S-H10TL	1.7
2423740000	SAIE-M12BB-4S-13/14SMT	1.38
2423750000	SAIE-M12S-5S-HTL	1.30
2423760000	SAID-MBS-3-THR	1.13
2423770000	SAIE-M12BB-5S-13/14SMT	1.38
2423780000	SAIE-M12S-4-FTL	1.29
2423790000	SAIE-MBS-3-THR	1.13
2423800000	SAIE-M12SB-4S-9SMT	1.38
2423810000	SAIE-M12S-4S-FTL	1.30
2423820000	SAID-MBS-3S-THR	1.13
2423830000	SAIE-M12SB-5S-9SMT	1.38
2423840000	SAIE-M12S-5-FTL	1.29
2423850000	SAID-MBS-3S-THR	1.13
2423860000	SAIE-M12BD-4S-9/14SMT	1.38
2423870000	SAIE-M12S-5S-FTL	1.30
2423880000	SAID-MBS-4-THR	1.13
2423890000	SAIE-M12BD-4S-13/14SMT	1.38
2423900000	SAIE-M12BB-4-F10TL	1.35
2423910000	SAIE-MBS-4-THR	1.13
2423920000	SAIFG-M14X1-B-1	1.5
2423920000	SAIFG-M14X1-B-1	1.45
2423930000	SAIE-M12BB-4-H10TL	1.34
2423940000	SAID-MBS-4S-THR	1.13
2423950000	SAIFG-M14X1-B-2	1.5
2423960000	SAIFG-M14X1-B-2	1.45
2423960000	SAIE-M12SB-4-F10TL	1.35
2423970000	SAIE-MBS-4S-THR	1.13
2423980000	SAIFG-M14X1-S-1	1.5
2423980000	SAIFG-M14X1-S-1	1.44
2423990000	SAIE-M12SB-4-H10TL	1.34
2424000000	SAID-MBS-5-THR	1.13
2424010000	SAIE-KMM14X1-SW15	1.5
2424010000	SAIE-KMM14X1-SW15	1.44
2424020000	SAIE-M12BB-4-F5.5TL	1.35
2424030000	SAID-MBS-5-THR	1.13
2424040000	SAIE-M12S-4AS-H6.75TL	1.26
2424050000	SAIE-M12BB-4-H5.5TL	1.34
2424060000	SAIE-MBS-5S-THR	1.13
2424070000	SAIE-M12S-5AS-H6.75TL	1.26
2424080000	SAIE-M12SB-4-F5.5TL	1.35
2424090000	SAID-MBS-5S-THR	1.13
2424100000	SAIE-M12S-4DS-H6.75TL	1.26
2424110000	SAIE-M12SB-4-H5.5TL	1.34
2424120000	SAIE-M12S-4BS-H6.75TL	1.26
2424130000	SAID-MBS-8-THR	1.13
2424140000	SAIE-M12BD-4-F10TL	1.35
2424150000	SAID-MBS-8-THR	1.13
2424160000	SAIE-M12S-5A-F10TL	1.46
2424170000	SAIE-M12BD-4-H10TL	1.34
2424180000	SAIE-M12S-4B-FLK	1.46
2424190000	SAID-MBS-8S-THR	1.13
2424200000	SAIE-M12BD-4-F5.5TL	1.35
2424210000	SAIE-M12S-4A-HLK	1.46
2424220000	SAID-MBS-8S-THR	1.13
2424230000	SAIE-M12BD-4-H5.5TL	1.34
2424240000	SAIE-M12S-5B-HLK	1.46
2424250000	SAIE-MBS-3S-H8TL	1.39
2424260000	SAIE-M12BB-4-FTL	1.31
2424270000	SAIE-M12S-5A-FV-20LK	1.47
2424280000	SAIE-MBS-3S-H12TL	1.9
2424290000	SAIE-M12BB-4-HTL	1.31
2424300000	SAIE-MBS-3S-H8TL	1.9
2424310000	SAIE-M12S-4B-FV-20LK	1.47
2424320000	SAIE-M12SB-4-FTL	1.31
2424330000	SAIE-MBS-3S-H12TL	1.9
2424340000	SAIE-M12S-4A-FV-26LK	1.47
2424350000	SAIE-M12SB-4-HTL	1.31
2424360000	SAIE-MBS-4S-H8TL	1.9
2424370000	SAIE-M12S-5A-FV-26LK	1.47
2424380000	SAIE-M12BD-4-FTL	1.31
2424390000	SAIE-MBS-4S-H12TL	1.9
2424400000	SAIE-M12S-4B-FV-26LK	1.47
2424410000	SAIE-M12BD-4-HTL	1.31
2424420000	SAIE-MBS-4S-H8TL	1.9
2424430000	SAIFG-MBS-M10-9	1.4
2424430000	SAIFG-MBS-M10-9	1.18
2424440000	SAIE-M12BD-4-H5.5TL-P69	1.25

Order No.	Type	Page
2424450000	SAIE-MBS-4S-H12TL	1.9
2424460000	SAIFG-MBS-M10-13	1.4
2424460000	SAIFG-MBS-M10-13	1.18
2424470000	SAIE-M12BD-4-H12TL-P69	1.25
2424480000	SAIFG-MBS-M10-13	1.4
2424480000	SAIFG-MBS-M10-13	1.20
2424490000	SAIE-M12BB-4-H5.5TL-P69	1.25
2424500000	SAIFG-MBS-M12-10	1.40
2424500000	SAIFG-MBS-M12-10	1.20
2424510000	SAIE-M12BB-4-H12TL-P69	1.25
2424520000	SAIFG-MBS-M10-9	1.4
2424520000	SAIFG-MBS-M10-9	1.19
2424530000	SAIFG-MBS-M10-13	1.4
2424530000	SAIFG-MBS-M10-13	1.19
2424540000	SAIFG-MBS-M12-6	1.4
2424540000	SAIFG-MBS-M12-6	1.21
2424550000	SAIFG-MBS-M12-10	1.4
2424550000	SAIFG-MBS-M12-10	1.21
2424560000	SAIE-KMM10X1-SW12	1.4
2424560000	SAIE-KMM10X1-SW12	1.19
2424570000	SAIE-KMM12X1-SW14	1.4
2424570000	SAIE-KMM12X1-SW14	1.21
2424580000	SAI-TSK-M12	B.58
2424590000	SAI-WDF 5P M12 K	C.45
2424590000	SAI-TSK-M12-80	B.58

## 2430000000

2436210000	WILWXXX65000024-240SXX0.3BM126XXXX	G.6
2436340000	WILRXXXW6200024-240SXX0.3BM126XXXX	G.16
2436350000	WILBXXXW45000024-240SXX0.3BM126XXXX	G.17
2438500000	THM MMP ROLLER TB	M.23
2439350000	SAI-H4-M12-T	D.31

## 2440000000

2448800000	RIBBON MMH 60/300 SW	M.23
2449710000	PRINTJET CLEANER	M.21

## 2450000000

2455040150	SAIL-MBS-5.15U	B.21
2455150150	SAIL-M12BG-K.15P	D.6
2455150300	SAIL-M12BG-K.3.0P	D.6
2455150500	SAIL-M12BG-K.5.0P	D.6
2455151000	SAIL-M12BG-K.10P	D.6
2455190150	SAIL-M12BW-K.1.5P	D.6
2455190300	SAIL-M12BW-K.3.0P	D.6
2455190500	SAIL-M12BW-K.5.0P	D.6
2455191000	SAIL-M12BW-K.10P	D.6
2455200150	SAIL-M12BW-L.1.5PGR	D.4
2455200300	SAIL-M12BW-L.3.0PGR	D.4
2455200500	SAIL-M12BW-L.5.0PGR	D.4
2455201000	SAIL-M12BW-L.10PGR	D.4
2455210150	SAIL-M12G-K.1.5P	D.6
2455210300	SAIL-M12G-K.3.0P	D.6
2455210500	SAIL-M12G-K.5.0P	D.6
2455211000	SAIL-M12G-K.10P	D.6
2455220150	SAIL-M12G-L.1.5PGR	D.6
2455220300	SAIL-M12G-L.3.0PGR	D.6
2455220500	SAIL-M12G-L.5.0PGR	D.6
2455221000	SAIL-M12G-L.10PGR	D.6
2455230150	SAIL-M12W-K.1.5P	D.6
2455230300	SAIL-M12W-K.3.0PGR	D.6
2455230500	SAIL-M12W-K.5.0P	D.6
2455231000	SAIL-M12W-K.10P	D.6
2455240150	SAIL-M12W-L.1.5PGR	D.4
2455240300	SAIL-M12W-L.3.0PGR	D.4
2455240500	SAIL-M12W-L.5.0PGR	D.4
2455241000	SAIL-M12W-L.10PGR	D.4
2455250150	SAIL-M12GM12G-K.1.5P	D.7
2455250300	SAIL-M12GM12G-K.3.0P	D.7



Order No.	Type	Page
2535840000	WIL-LWXXXX-65000024-4505SX5.0BXXXXXXX	G.8
2535850000	WIL-LWXXXX-65000024-555SX5.0BXXXXXXX	G.8
2535860000	WIL-LWXXXX-65000024-555SX5.0BXXXXXXX	G.8
2535870000	WIL-LWXXXX-65000024-655SX5.0BXXXXXXX	G.8
2535880000	WIL-LWXXXX-65000024-655SX5.0BXXXXXXX	G.8
2535890000	WIL-LWXXXX-65000024-765SX5.0BXXXXXXX	G.8
2535900000	WIL-LWXXXX-65000024-765SX5.0BXXXXXXX	G.8
2535910000	WIL-LWXXXX-65000024-860SX5.0BXXXXXXX	G.8
2535920000	WIL-LWXXXX-65000024-860SX5.0BXXXXXXX	G.8
2537700000	WIL-BM-SK-M12-3.0U	G.21
2537710000	WIL-BM-JP-M12-3.0U	G.22
2537720000	WIL-BM-SK	G.21
2537730000	WIL-TS-M12	G.23

## 2540000000

2544780000	SAIS-M-4S-IDC-M12-D-CDD	C.30
2545170000	WIL-LWXXXX-65000024-145MFX3.0BXXXXXXX	G.9
2548620000	WIL-LWXXXX-65000024-240MFX5.0BXXXXXXX	G.20

## 2550000000

2550650000	WIL-LWXXXX-27000024-655SX5.0BXXXXXXX	G.15
2552580000	IE-PP-RJ45	L.63

## 2570000000

2571480000	ERTE KLBC SPX 10	M.9
2571490000	ERTE KLBC SPX 16	M.9
2576960000	WIL-LWXXXX-65000024-240SX5.0BXXXXXXX	G.8
2576970000	WIL-LBXXXX-W4500024-240SX5.0BXXXXXXX	G.17
2576980000	WIL-LRXXXX-W6200024-240SX5.0BXXXXXXX	G.16

## 2590000000

2592960000	PJ ADV TEXTILE COVER	M.21
2598350000	WIL-NT-STANDARD	G.23
2598970000	SCREWTY SW12	M.25
2599430000	THM MULTIMARK	M.23

## 2610000000

2614220000	WIL-SCHWENKHALTER	G.24
2614400000	WIL-LWXXXX-57000024-240SX5.0BXXXXXXX	G.11
2616330000	WIL-LWXXXX-57000024-350SX5.0BXXXXXXX	G.11
2616360000	SAIH4-M12-S	D.31
2616410000	SAIH3-M12-S	D.31
2616420000	SAIH3-M12-T	D.31
2616430000	SAIT-M12-S	D.31
2616440000	SAIT-M12-T	D.31
2616450000	SAIH4-M12-L	D.32
2616460000	SAIH4-M12-K	D.32
2616470000	SAIH3-M12-L	D.32
2616480000	SAIH3-M12-K	D.32
2616490000	SAIT-M12-L	D.32
2616500000	SAIT-M12-K	D.32
2617670500	SAIL-M12G-TS-5.0U	D.12
2617810000	WIL-LWXXXX-40000024-240SX5.0BXXXXXXX	G.14

## 2620000000

2625240000	WIL-LRYGXX-XXXX0024-240SX5.0BXXXXXXX	G.18
2625940000	SAIE-M12BL-0.3VHM16-1.5	D.28
2625950000	SAIE-M12SL-0.3VHM16-1.5	D.28
2625960000	SAIE-M12SL-0.3VHM16-2.5	D.28
2625970000	SAIE-M12BL-0.3VHM16-2.5	D.28

## 2630000000

2633680000	WIL-LWXXXX-40000024-350SX5.0BXXXXXXX	G.14
2633830000	WIL-LWXXXX-27000024-240SX5.0BXXXXXXX	G.15
2633840000	WIL-LWXXXX-27000024-450SX5.0BXXXXXXX	G.15
2635090000	WIL-LRGBWXX-XXXX0024-240SX5.0BXXXXXXX	G.19

## 2660000000

2662450000	SAIEND 1/4 M8G 3P	F.5
2664780000	SAIBC-WDF-D-18/28-4/9CG	C.34
2664790000	SAISC-WDF-D-18/28-4/9CG	C.34
2664800000	SAIBC-5-18/28-4/9CG	C.32
2664810000	SAISC-D-18/28-4/9CG	C.33
2664830000	SAIBWC-5-18/28-4/9CG	C.32
2664840000	SAIM12-KSC-18/20	M.21
2664850000	SAIM12-KSC-20/22	C.35
2664860000	SAIM12-KBC-18/20	C.35
2664870000	SAIM12-KBC-20/22	C.35
2669230000	WIL-LWXXXX-65000024-145MFX1.5BMT12GXXXX	G.9
2669240000	WIL-LWXXXX-65000024-240MFX1.5BMT12GXXXX	G.9

## 2670000000

2671670500	SAIL-M12BG-TS-5.0U	D.12
2672410000	SAISC-5-18/28-4/9CG	C.32
2672420000	SAIBC-D-18/28-4/9CG	C.32
2672430000	SAISWC-5-18/28-4/9CG	C.33
2673710000	SAIM12-KSC-22/24	C.35
2673720000	SAIM12-KSC-26/28	C.35
2673730000	SAIM12-KBC-22/24	C.35
2673740000	SAIM12-KBC-26/28	C.35

Order No.	Type	Page
-----------	------	------

## 2680000000

2680950000	WIL-LWXXXX-27000024-240SX3.0BXXXXXXX	G.15
2681480000	SAISP-4A-4/8-M12	C.5
2681480000	SAISP-4A-4/8-M12	C.18
2681490000	SAISWP-4A-4/8-M12	C.5
2681490000	SAISWP-4A-4/8-M12	C.18
2681500000	SAIBP-4A-4/8-M12	C.5
2681500000	SAIBP-4A-4/8-M12	C.18
2681510000	SAIBWP-4A-4/8-M12	C.5
2681510000	SAIBWP-4A-4/8-M12	C.18
2681520000	SAISP-M-4A-4/8-M12	C.5
2681520000	SAISP-M-4A-4/8-M12	C.19
2681530000	SAISWP-M-4A-4/8-M12	C.5
2681530000	SAISWP-M-4A-4/8-M12	C.19
2681540000	SAIBP-M-4A-4/8-M12	C.5
2681540000	SAIBP-M-4A-4/8-M12	C.19
2681550000	SAISWP-M-4A-4/8-M12	C.5
2681550000	SAISWP-M-4A-4/8-M12	C.19
2681560000	SAISP-5A-4/8-M12	C.5
2681560000	SAISP-5A-4/8-M12	C.18
2681570000	SAISWP-5A-4/8-M12	C.5
2681570000	SAISWP-5A-4/8-M12	C.18
2681580000	SAIBP-5A-4/8-M12	C.5
2681580000	SAIBP-5A-4/8-M12	C.18
2681590000	SAISWP-5A-4/8-M12	C.5
2681590000	SAISWP-5A-4/8-M12	C.18
2681600000	SAISP-M-5A-4/8-M12	C.5
2681600000	SAISP-M-5A-4/8-M12	C.19
2681610000	SAISWP-M-5A-4/8-M12	C.5
2681610000	SAISWP-M-5A-4/8-M12	C.19
2681620000	SAIBP-M-5A-4/8-M12	C.5
2681620000	SAIBP-M-5A-4/8-M12	C.19
2681630000	SAISWP-M-5A-4/8-M12	C.5
2681630000	SAISWP-M-5A-4/8-M12	C.19
2681640000	SAISP-M-5B-4/8-M12	C.5
2681640000	SAISP-M-5B-4/8-M12	C.20
2681650000	SAISWP-M-5B-4/8-M12	C.5
2681650000	SAISWP-M-5B-4/8-M12	C.20
2681660000	SAIBP-M-5B-4/8-M12	C.5
2681660000	SAIBP-M-5B-4/8-M12	C.20
2681670000	SAISWP-M-5B-4/8-M12	C.5
2681670000	SAISWP-M-5B-4/8-M12	C.20
2681680000	SAISP-M-4D-4/8-M12	C.5
2681680000	SAISP-M-4D-4/8-M12	C.20
2681690000	SAISWP-M-4D-4/8-M12	C.5
2681690000	SAISWP-M-4D-4/8-M12	C.20
2681700000	SAIBP-M-4D-4/8-M12	C.5
2681700000	SAIBP-M-4D-4/8-M12	C.20
2681710000	SAISWP-M-4D-4/8-M12	C.5
2681710000	SAISWP-M-4D-4/8-M12	C.20

## 2690000000

2694370000	WIL-LWXXXX-40000024-860SX5.0BXXXXXXX	G.14
------------	--------------------------------------	------

## 2700000000

2702690000	SAISWC-D-18/28-4/9CG	C.33
2702700000	SAIBWC-D-18/28-4/9CG	C.33
2703490000	SAIS-4-PE/8-13-K-CDD	D.18
2703500000	SAIB-4-PE/8-13-K-CDD	D.18
2703510000	SAIS-4-PE/8-13-L-CDD	D.17
2703520000	SAIB-4-PE/8-13-L-CDD	D.17
2706670150	SAIL-M12BG-S3-1.5P	D.8
2706670300	SAIL-M12BG-S3-3.0P	D.8
2706670500	SAIL-M12BG-S3-5.0P	D.8
2706671000	SAIL-M12BG-S3-10P	D.8
2706680150	SAIL-M12G-S3-1.5P	D.8
2706680300	SAIL-M12G-S3-3.0P	D.8
2706680500	SAIL-M12G-S3-5.0P	D.8
2706681000	SAIL-M12G-S3-10P	D.8

## 2710000000

2715990000	PRINTJET CONNECT	M.21
2715600000	PJ CON INK SET	M.21
2715610000	PJ CON INK C	M.21
2715620000	PJ CON INK M	M.21
2715630000	PJ CON INK Y	M.21
2715640000	PJ CON INK K	M.21
2715650000	PJ CON FLUID SET	M.21
2715660000	PJ CON WASTE PAD	M.21
2715680000	PJ CON WIFI STICK	M.21
2719270000	THM MMP ROLLER SFM 3	M.23

## 2720000000

2726210000	SAI-MDC12AL1	M.13
2729520000	DAE M12 PA SHORT UL	L.77

## 2730000000

2732860000	WIL-LWXXXX-40000024-555SX5.0BXXXXXXX	G.14
2732910000	WIL-LWXXXX-40000024-240SX5.0BXXXXXXX	G.14
2732920000	WIL-LWXXXX-40000024-350SX5.0BXXXXXXX	G.14
2732940000	WIL-LWXXXX-40000024-555SX5.0BXXXXXXX	G.14

Order No.	Type	Page
-----------	------	------

## 2760000000

2762400000	WIL-LWXXXX-40000024-145SX5.0BXXXXXXX	G.14
2764890000	SAIH-SLL-3X1.0-16X0-5-100	B.80
2764900000	SAIH-SLL-3X1.0-16X0-5-500	B.80
2764930000	SAIH-SLL-3X0.75-8X0-34-100	B.79
2764940000	SAIH-SLL-3X0.75-8X0-34-500	B.79
2764950000	VPE 1/1 REEL = 100 METER	B.79
2764960000	SAIH-SLL-3X0.75-16X0-34-500	B.79
2764970000	SAIH-SLL-5X0.75-16X0-34-100	B.80
2764980000	SAIH-SLL-5X0.75-16X0-34-500	B.80
2768330000	SAISW-4+FE/8-13-L-CDD	D.17
2768340000	SAIBW-4+FE/8-13-L-CDD	D.17

## 2770000000

2770730000	WIL-LWXXXX-40000024-240SX10.0BXXXXXXX	G.14
2773240000	SAI JP PC SET-WG 100	H.11

## 2780000000

2783150000	SAIB-WDF-M-4S-IDC-M12-D-CDD	C.30
------------	-----------------------------	------

## 2790000000

2793350000	WIL-LWXXXX-40000024-860SX5.0BXXXXXXX	G.14
2793630000	WIL-LWXXXX-50000024-240SX5.0BXXXXXXX	G.13
2796070000	WIL-LWXXXX-27000024-860SX5.0BXXXXXXX	G.15
2799050000	WIL-F-240	G.25

## 2810000000

2812410000	SAIB-M-4S-IDC-M12-D-CDD	C.30
2812420000	SAIBW-4+PE/8-13-K-CDD	D.18
2812430000	SAISW-4+PE/8-13-K-CDD	D.18
2812520150	SAIL-M12BG-4-1.5TV0	B.51
2812530150	SAIL-M12BW-4-3LR1.5TV0	B.52
2812540150	SAIL-M12BW-4-1.5TV0	B.51
2812550150	SAIL-M12G-4-1.5TV0	B.51
2812570150	SAIL-M12GM12G-4-3LR1.5TV0	B.54
2812600150	SAIL-M12GM12G-4-1.5TV0	B.53
2812610150	SAIL-M12GM12W-4-3LR1.5TV0	B.54
2812630150	SAIL-M12GM12W-4-1.5TV0	B.53
2812640150	SAIL-M12BG-5-1.5TV0	B.51
2812670150	SAIL-M12BW-5-3LR1.5TV0	B.52
2812680150	SAIL-M12BW-5-1.5TV0	B.51
2812690150	SAIL-M12G-5-1.5TV0	B.51
2812700150	SAIL-M12GM12G-5-1.5TV0	B.53
2812720150	SAIL-M12GM12W-5-3LR1.5TV0	B.54
2812730150	SAIL-M12GM12W-5-1.5TV0	B.53
2812750150	SAIL-M12BG-5-1.5TV0	B.51
2812780150	SAIL-M12BW-5-1.5TV0	B.51
2812800150	SAIL-M12GM12G-5-1.5TV0	B.53
2812820150	SAIL-M12GM12W-5-1.5TV0	B.53
2812840150	SAIL-M12GM8G-3-1.5TV0	B.57
2812850150	SAIL-M12GM8W-3-1.5TV0	B.57
2812880150	SAIL-M8BG-3-1.5TV0	B.55
2812910150	SAIL-M8BW-3L-1.5TV0	B.56
2812940150	SAIL-M8BW-3-1.5TV0	B.55
2812950150	SAIL-M12GM8W-3L-1.5TV0	B.56
2812960150	SAIL-M12GM8G-4-1.5TV0	B.57
2812970150	SAIL-M12GM8W-4-1.5TV0	B.57
2813030150	SAIL-M8BG-4-1.5TV0	B.55
2813040150	SAIL-M8BW-4-1.5TV0	B.55
2818930000	SAI-06Z-VPPP-3A-MO8L-PNP	E.38
2818940000	SAI-06Z-VPPP-3A-MO8L-PNP	E.38
2818950000	SAI-08Z-VPPP-3A-MO8L-PNP	E.38
2818960000	SAI-10Z-VPPP-3A-MO8L-PNP	E.38
2818970000	SAI-04Z-VPPP-4A-MO8L-PNP	E.38
2818980000	SAI-06Z-VPPP-4A-MO8L-PNP	E.38
2818990000	SAI-08Z-VPPP-4A-MO8L-PNP	E.38
2819000000	SAI-10Z-VPPP-4A-MO8L-PNP	E.38
2819010000	SAI-04Z-VPUT-3A-MO8L-PNP	E.38
2819020000	SAI-06Z-VPUT-3A-MO8L-PNP	E.38
28		

Order No.	Type	Page
2899560000	WIL-LRGBW-RHPS-XXXXX190SX-M12X-X0	G.29
2899570000	WIL-LRGBW-RHPS-XXXXX3865X-M12X-X0	G.29
2899580000	WIL-LRGBW-RHPS-XXXXX6105X-M12X-X0	G.29
2899590000	WIL-LRGBW-RHPS-XXXXX10405X-M12X-X0	G.29
2899600000	WIL-EXXXX-RXSS-5700-X140-M8XX	G.30
2899610000	WIL-EXXXX-RXSS-5700-X280-M8XX	G.30
2899620000	WIL-EXXXX-RXSS-5700-X420-M8XX	G.30
2899630000	WIL-EXXXX-RXSS-5700-X560-M8XX	G.30
2899640000	WIL-EXXXX-RXSS-5700-X700-M8XX	G.30
2899650000	WIL-EXXXX-RXSS-5700-X840-M8XX	G.30
2899660000	WIL-EXXXX-RXSS-5700-X980-M8XX	G.30
2899670000	WIL-EXXXX-RXSS-5700-1120-M8XX	G.30
2899680000	WIL-EXXXX-RXSS-5700-1400-M8XX	G.30
2899690000	WIL-EXXXX-RXSS-5700-X140-M8XX	G.30
2899700000	WIL-EXXXX-RXSS-5700-X280-M8DX	G.30
2899710000	WIL-EXXXX-RXSS-5700-X420-M8DX	G.30
2899720000	WIL-EXXXX-RXSS-5700-X560-M8DX	G.30
2899730000	WIL-EXXXX-RXSS-5700-X700-M8DX	G.30
2899740000	WIL-EXXXX-RXPS-5700-X140-M8XX	G.31
2899750000	WIL-EXXXX-RXPS-5700-X280-M8XX	G.31
2899760000	WIL-EXXXX-RXPS-5700-X420-M8XX	G.31
2899770000	WIL-EXXXX-RXPS-5700-X560-M8XX	G.31
2899780000	WIL-EXXXX-RXPS-5700-X700-M8XX	G.31
2899790000	WIL-EXXXX-RXPS-5700-X980-M8XX	G.31
2899800000	WIL-EXXXX-RXPS-5700-1120-M8XX	G.31
2899810000	WIL-EXXXX-RXPS-5700-1400-M8XX	G.31
2899820000	WIL-EXXXX-RXPS-5700-X140-M8DX	G.31
2899830000	WIL-EXXXX-RXPS-5700-X280-M8DX	G.31
2899840000	WIL-EXXXX-RXPS-5700-X420-M8DX	G.31
2899850000	WIL-EXXXX-RXPS-5700-X560-M8DX	G.31
2899860000	WIL-EXXXX-RXPS-5700-X700-M8DX	G.31
2899870000	WIL-ERGBX-RXSS-XXXXX280-M8XX	G.32
2899880000	WIL-ERGBW-RXSS-XXXXX280-M8XX	G.32
2899890000	WIL-SXXXX-FXSF-5700-X140-M8XX-S	G.33
2899900000	WIL-SXXXX-FXSF-5700-X280-M8XX-S	G.33
2899910000	WIL-SXXXX-FXSF-5700-X560-M8XX-S	G.33
2899920000	WIL-SXXXX-FXSF-5700-X840-M8XX-S	G.33
2899930000	WIL-SXXXX-FXSF-5700-1120-M8XX-S	G.33
2899940000	WIL-SXXXX-FXSF-5700-1400-M8XX-S	G.33
2899950000	WIL-SXXXX-FXSF-5700-X140-M8DX-S	G.33
2899960000	WIL-SXXXX-FXSF-5700-X280-M8DX-S	G.33
2899970000	WIL-SXXXX-FXSF-5700-X560-M8DX-S	G.33
2899980000	WIL-SXXXX-FXSF-5700-X840-M8DX-S	G.33
2899990000	WIL-SXXXX-FXFP-6500-X140-M8XX-S	G.34

## 2900000000

2900100000	WIL-SXXXX-FXFP-6500-X280-M8XX-S	G.34
2900120000	WIL-SXXXX-FXFP-6500-X560-M8XX-S	G.34
2900130000	WIL-SXXXX-FXFP-6500-X840-M8XX-S	G.34
2900140000	WIL-SXXXX-FXFP-6500-1120-M8XX-S	G.34
2900150000	WIL-SXXXX-FXFP-6500-1400-M8XX-S	G.34
2900160000	WIL-SXXXX-FXFP-6500-X140-M8DX-S	G.34
2900170000	WIL-SXXXX-FXFP-6500-X280-M8DX-S	G.34
2900180000	WIL-SXXXX-FXFP-6500-X560-M8DX-S	G.34
2900190000	WIL-SXXXX-FXFP-6500-X840-M8DX-S	G.34

## 2910000000

2912780000	PRINTJET CLEANER 25ML	M.21
------------	-----------------------	------

## 4290000000

4294820000	1/4" HANDGRIF	M.5
------------	---------------	-----

## 7910000000

7915030000	SAI-8-F 5P 2M 0.5/1.0U	E.9
------------	------------------------	-----

## 8420000000

8425910000	POS-4P M12 PG13,5 300MM	L.29
8425930000	POS-4P M12 M20 150MM	L.29
8425940000	POS-4P M12 M20 300MM	L.29
8425960000	SAI-SK-M12 BU	C.46
8426220000	FBCON M12 4P FM EMC	C.5
8426220000	FBCON M12 4P FM EMC	C.11
8426220000	FBCON M12 4P FM EMC	L.27

## 8550000000

8556460000	FBCON TERM.D EX FM	L.48
------------	--------------------	------

## 8560000000

8564060000	FBCON PA CG/M12 1WAY	L.32
8564070000	FBCON PA CG/M12 2WAY	L.33
8564080000	FBCON PA CG/M12 4WAY	L.34
8564090000	FBCON PA CG 1WAY	L.32
8564100000	FBCON PA CG 2WAY	L.33
8564110000	FBCON PA CG 4WAY	L.34
8564150000	FBCON PA CG/M12 1WAY EX	L.44
8564160000	FBCON PA CG/M12 2WAY EX	L.45
8564170000	FBCON PA CG/M12 4WAY EX	L.46
8564180000	FBCON PA CG 1WAY EX	L.44
8564190000	FBCON PA CG 2WAY EX	L.45
8564200000	FBCON PA CG 4WAY EX	L.46
8564240000	FBCON PA CG 8WAY EX	L.47
8564250000	FBCON PA CG/M12 8WAY EX	L.47

Order No.	Type	Page
8564290000	FBCON DP CG TERM 24V	L.20
8564300000	FBCON PA CG 8WAY	L.35
8564310000	FBCON PA CG/M12 8WAY	L.35
8564320000	FBCON DP M12 TERM 5V	L.20
8564330000	FBCON DP M12 TERM 24V	L.20
8564340000	FBCON DP CG 1WAY	L.19
8564350000	FBCON DP M12 1WAY	L.19

## 8600000000

8606180000	FBCON TERM.D EX FM/PEAN	L.48
8606190000	FBCON TERM.D EX	L.48
8606200000	FBCON TERM.D EX PEAN	L.48

## 8610000000

8613670000	FBCON SS PCG 1WAY	L.32
8613680000	FBCON SS PCG 4WAY	L.34

## 8700000000

8703430000	FBCON SS CG 1WAY	L.32
8703450000	FBCON SS CG 4WAY	L.34
8703470000	FBCON SS CG 8WAY	L.35

## 8710000000

8714160000	FBCON PA CG/M12 1WAY LIMITER	L.37
8714170000	FBCON PA CG/M12 2WAY LIMITER	L.38
8714180000	FBCON PA CG/M12 4WAY LIMITER	L.39
8714190000	FBCON PA CG/M12 8WAY LIMITER	L.40
8714200000	FBCON PA CG 1WAY LIMITER	L.37
8714210000	FBCON PA CG 2WAY LIMITER	L.38
8714220000	FBCON PA CG 4WAY LIMITER	L.39
8714230000	FBCON PA CG 8WAY LIMITER	L.40
8714240000	FBCON SS DP PCG TERM 24V	L.20
8714260000	FBCON SS DP PCG 1WAY	L.19
8715260000	FBCON SS PCG 4WAY LIMITER	L.39

## 8720000000

8726110000	FBCON SS PCG 1WAY LIMITER	L.37
8726160000	FBCON SS PCG 8WAY LIMITER	L.40

## 8770000000

8771420000	JPR 24VDC 1CO M12	H.3
8771430000	JPR 24VDC ISO 1CO M12	H.3
8771440000	JPTA 50MS 24VDC PNP M12	H.4
8778490000	JP CLIP M	H.9

## 8780000000

8788580000	RS PB-DP T SUB-D	L.21
------------	------------------	------

## 8790000000

8794800000	SAIJP 5P LG 100	H.10
8794900000	SAIJP 4P LG 100	H.10
8794120000	JP TEST	H.8

## 8800000000

8800040000	RS PB-DP T	L.21
8805560000	JPOVP RJ45 CAT6 IP20	H.7

## 8830000000

8836630000	JPTA100MS 24VDC PNP M12	H.4
------------	-------------------------	-----

## 8850000000

8852350000	JPP NPN PNP 24VDC	H.5
8857030000	JPP PNP NPN 24VDC	H.5

## 9000000000

9002650000	KT 8	B.69
9002650000	KT 8	B.70
9002650000	KT 8	B.71
9002650000	KT 8	B.72
9002650000	KT 8	B.73
9002650000	KT 8	B.74
9002650000	KT 8	B.75
9002650000	KT 8	B.76
9002650000	KT 8	B.77
9002650000	KT 8	B.78
9002650000	KT 8	B.79
9002650000	KT 8	B.80
9002650000	KT 8	M.7
9002660000	KT 12	M.7
9005000000	STRIPAX	M.9
9005610000	STRIPAX 16	M.9

## 9010000000

9017330000	STRIPAX ZERT	M.9
------------	--------------	-----

Order No.	Type	Page
9030060000	AM 12	B.69
9030060000	AM 12	B.70
9030060000	AM 12	B.71
9030060000	AM 12	B.72
9030060000	AM 12	B.73
9030060000	AM 12	B.74
9030060000	AM 12	B.75
9030060000	AM 12	B.76
9030060000	AM 12	B.77
9030060000	AM 12	B.78
9030060000	AM 12	B.79
9030060000	AM 12	B.80
9030060000	AM 12	L.63
9030060000	AM 12	L.67
9030060000	AM 12	M.8

## 9200000000

9202210000	MULTI-STRIPAX 6-16	M.11
9202250000	MULTI-STRIPAX ASI	M.11
9202260000	AIE MULTI-STRIPAX 6-16	M.11
9202300000	AIE MULTI-STRIPAX ASI	M.11
9203070000	ERME MULTI-STRIPAX	M.11
9203100000	ERAN MULTI-STRIPAX	M.11
9203110000	STRIPPER 6-16 RED-LINE	M.8
9204350000	IE-CST	L.63
9204350000	IE-CST	L.67
9205760000	MULTI-STRIPAX GKW LW	M.11
9205770000	AIE MULTI-STRIPAX GKWLW	M.11

## 9450000000

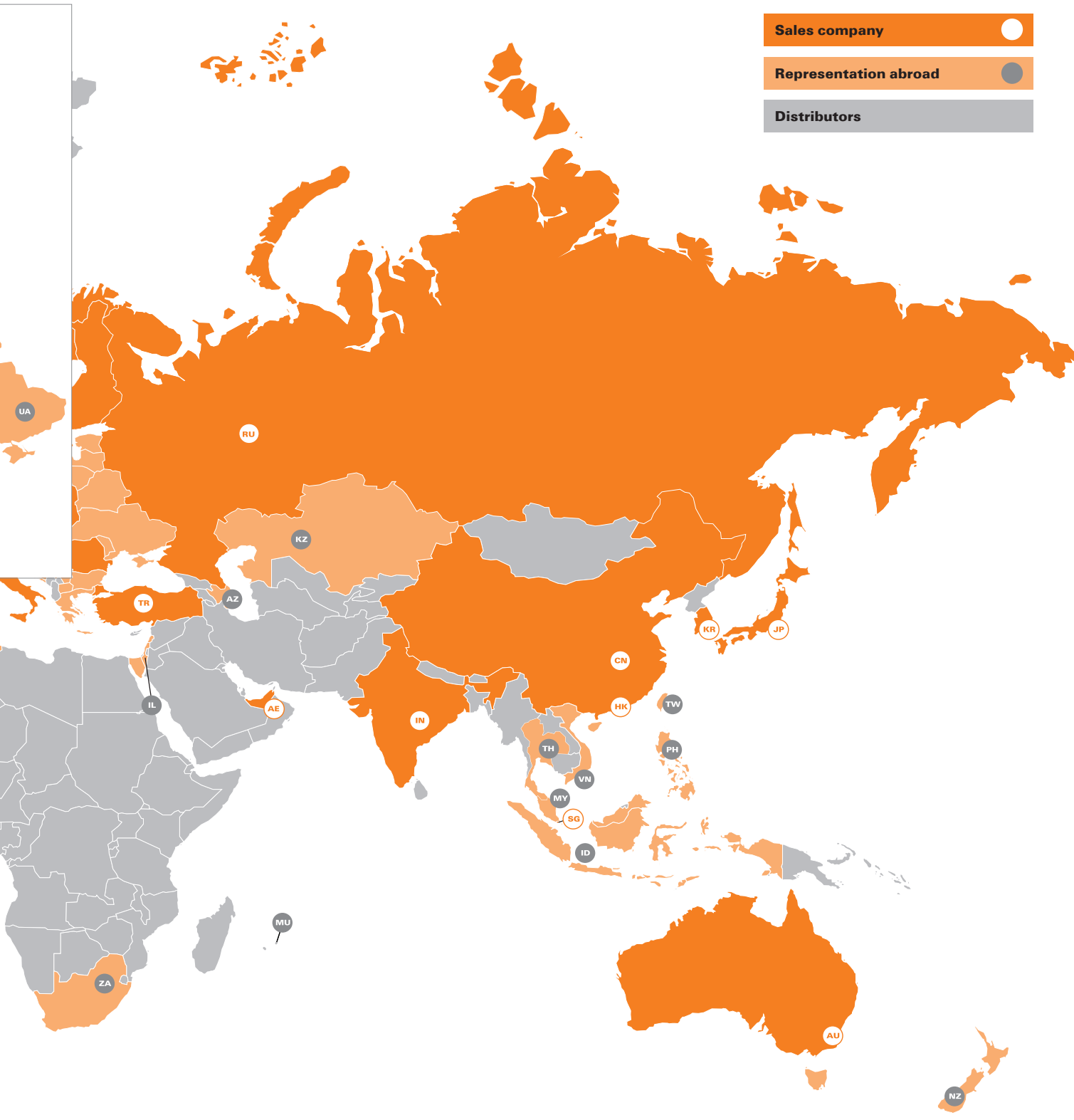
9455640000	FBCON M12 4P M EMC	C.5
9455640000	FBCON M12 4P M EMC	C.11
9455640000	FBCON M12 4P M EMC	L.27
9455650000	POS-4P M12 PG13,5 150MM	L.29
9456000000	SAI-4-S 4P M12	E.6
9456010000	SAI-6-S 4P M12	E.6
9456010001	SAI-6-S 5P M12	E.6
9456020000	SAI-8-S 4P M12	E.6
9456050000	SAI-SK-M12	C.46
9456070150	SAIL-VSBD-1.5U	B.64
9456100150	SAIL-M12G-4-1.5U	B.4
9456100150	SAIL-M12G-4-1.5U	B.11
9456100300	SAIL-M12G-4-3.0U	B.4
9456100500	SAIL-M12G-4-5.0U	B.4
9456101000	SAIL-M12G-4-10U	B.4
9456140150	SAIL-M12BG-5S1.5U	B.8
9456150000	SAIL-M8BW-4-X XU	B.5
9456150150	SAIL-M8BW-4-1.5U	B.5
9456150150	SAIL-M8BW-4-1.5U	B.20
9456150300	SAIL-M8BW-4-3.0U	B.5
9456150500	SAIL-M8BW-4-5.0U	B.5
9456151000	SAIL-M8BW-4-10U	B.5
9456170150	SAIL-VSCD-M12G-1.5U	B.67
9456180000	SAI-4-F 4P PUR 3M	E.9
9456190000	SAI-4-F 4P PUR 5M	E.6
9456190000	SAI-4-F 4P PUR 5M	E.9
9456190002	SAI-4-FMM-4P M12 5M	E.6
9456200000	SAI-4-F 4P PUR 10M	E.6
9456200000	SAI-4-F 4P PUR 10M	E.9
9456200002	SAI-4-FMM-4P M12 10M	E.6
9456210000	SAI-4-F 4P PUR 15M	E.6
9456210000	SAI-4-F 4P PUR 15M	E.9
9456230000	SAI-4-F 4P PUR 20M	E.6
9456230000	SAI-4-F 4P PUR 20M	E.9
9456240150	SAIL-VSCD-1.5U	B.67
9456320000	SAI-4-F 5P PUR 3M	E.9
9456330000	SAI-4-F 5P PUR 5M	E.6
9456330000	SAI-4-F 5P PUR 5M	E.9
9456340000	SAI-4-F 5P PUR 10M	E.6
9456340000	SAI-4-F 5P PUR 10M	E.9
9456350000	SAI-4-F 5P PUR 15M	E.6
9456350000	SAI-4-F 5P PUR 15M	E.9
9456370000	SAI-4-F 5P PUR 20M	E.6
9456370000	SAI-4-F 5P PUR 20M	E.9
9456380150	SAIL-M12BW-4-2L1.5U	B.8
9456380150	SAIL-M12BW-4-2L1.5U	B.16
9456380300	SAIL-M12BW-4-2L3.0U	B.8
9456380500	SAIL-M12BW-4-2L5.0U	B.8
9456381000	SAIL-M12BW-4-2L10U	B.8
9456460000	SAI-6-F 4P PUR 3M	E.6
9456470000	SAI-6-F 4P PUR 5M	E.9
9456480000	SAI-6-F 4P PUR 10M	E.6
9456480000	SAI-6-F 4P PUR 10M	E.9
9456490000	SAI-6-F 4P PUR 15M	E.6
9456490000	SAI-6-F 4P PUR 15M	E.9
9456500150	SAIL-M12WM12G-5-1.5U	B.7
9456500300	SAIL-M12WM12G-5-3.0U	B.7
9456500500	SAIL-M12WM12G-5-5.0U	B.7
9456501000	SAIL-M12WM12G-5-10U	B.7
9456510000	SAI-6-F 4P PUR 20M	E.6
9456510000	SAI-6-F 4P PUR 20M	

Order No.	Type	Page
9457450150	SAIL-M8BG-3-1.5U	B.20
9457450300	SAIL-M8BG-3-3.0U	B.4
9457450500	SAIL-M8BG-3-5.0U	B.4
9457451000	SAIL-M8BG-3-10U	B.4
9457460150	SAIL-M8BW-3L1.5U	B.5
9457460150	SAIL-M8BW-3L1.5U	B.24
9457460300	SAIL-M8BW-3L3.0U	B.5
9457460500	SAIL-M8BW-3L5.0U	B.5
9457461000	SAIL-M8BW-3L10U	B.5
9457490150	SAIL-ZW-M8BG-3-1.5U	B.42
9457540000	SAIS-ZW-5	C.9
9457550000	SAIS-4/7	C.5
9457550000	SAIS-4/7	C.7
9457570150	SAIL-M12GM8WR-3-1.5U	B.32
9457590000	SAI-8-F 5P 5M 0.5/1.0U	E.9
9457600000	SAI-8-F 5P 10M 0.5/1.0U	E.9
9457610150	SAIL-M12G-5-1.5U	B.4
9457610150	SAIL-M12G-5-1.5U	B.11
9457610300	SAIL-M12G-5-3.0U	B.4
9457610500	SAIL-M12G-5-5.0U	B.4
9457611000	SAIL-M12G-5-10U	B.4
9457670150	SAIL-M12W-5-1.5U	B.4
9457670150	SAIL-M12W-5-1.5U	B.11
9457670300	SAIL-M12W-5-3.0U	B.4
9457670500	SAIL-M12W-5-5.0U	B.4
9457671000	SAIL-M12W-5-10U	B.4
9457680150	SAIL-VSB-M12G-1.5U	B.64
9457690150	SAIL-M12BW-5-1.5U	B.7
9457690150	SAIL-M12BW-5-1.5U	B.11
9457690300	SAIL-M12BW-5-3.0U	B.7
9457690500	SAIL-M12BW-5-5.0U	B.7
9457691000	SAIL-M12BW-5-10U	B.7
9457700000	SAIBW-4/7	C.5
9457700000	SAIBW-4/7	C.7
9457710150	SAIL-VSA-1.5U	B.61
9457720000	SAI-SA-3-DC	E.18
9457730150	SAIL-M12BG-4-1.5U	B.6
9457730150	SAIL-M12BG-4-1.5U	B.11
9457730300	SAIL-M12BG-4-3.0U	B.6
9457730500	SAIL-M12BG-4-5.0U	B.6
9457731000	SAIL-M12BG-4-10U	B.6
9457740150	SAIL-M12BW-4-1.5U	B.7
9457740150	SAIL-M12BW-4-1.5U	B.11
9457740300	SAIL-M12BW-4-3.0U	B.7
9457740500	SAIL-M12BW-4-5.0U	B.7
9457741000	SAIL-M12BW-4-10U	B.7
9457760150	SAIL-M12GM8W-3L1.5U	B.5
9457760150	SAIL-M12GM8W-3L1.5U	B.34
9457760300	SAIL-M12GM8W-3L3.0U	B.5
9457760500	SAIL-M12GM8W-3L5.0U	B.5
9457761000	SAIL-M12GM8W-3L10U	B.5
9457770150	SAIL-M12GM8G-3-1.5U	B.4
9457770150	SAIL-M12GM8G-3-1.5U	B.31
9457770300	SAIL-M12GM8G-3-3.0U	B.4
9457770500	SAIL-M12GM8G-3-5.0U	B.4
9457771000	SAIL-M12GM8G-3-10U	B.4
9457780150	SAIL-VSBD-M12G-1.5U	B.64
9457790150	SAIL-M12GM12W-3L1.5U	B.8
9457790150	SAIL-M12GM12W-3L1.5U	B.30
9457790300	SAIL-M12GM12W-3L3.0U	B.8
9457790500	SAIL-M12GM12W-3L5.0U	B.8
9457791000	SAIL-M12GM12W-3L10U	B.8
9457800150	SAIL-M12BW-3L1.5U	B.8
9457800150	SAIL-M12BW-3L1.5U	B.16
9457800300	SAIL-M12BW-3L3.0U	B.8
9457800500	SAIL-M12BW-3L5.0U	B.8
9457801000	SAIL-M12BW-3L10U	B.8
9457810150	SAIL-M12G-3-1.5U	B.4
9457810150	SAIL-M12G-3-1.5U	B.11
9457810300	SAIL-M12G-3-3.0U	B.4
9457810500	SAIL-M12G-3-5.0U	B.4
9457811000	SAIL-M12G-3-10U	B.4
9457820150	SAIL-M12BG-3-1.5U	B.6
9457820150	SAIL-M12BG-3-1.5U	B.11
9457820300	SAIL-M12BG-3-3.0U	B.6
9457820500	SAIL-M12BG-3-5.0U	B.6
9457821000	SAIL-M12BG-3-10U	B.6
9457850150	SAIL-M8BG-4-1.5U	B.5
9457850150	SAIL-M8BG-4-1.5U	B.20
9457850300	SAIL-M8BG-4-3.0U	B.5
9457850500	SAIL-M8BG-4-5.0U	B.5
9457851000	SAIL-M8BG-4-10U	B.5
9457890150	SAIL-M12GM12W-2/4-1.5U	B.29
9457900150	SAIL-M12WM12W-5-1.5U	B.7
9457900150	SAIL-M12WM12W-5-1.5U	B.27
9457900300	SAIL-M12WM12W-5-3.0U	B.7
9457900500	SAIL-M12WM12W-5-5.0U	B.7
9457901000	SAIL-M12WM12W-5-10U	B.7
9457910150	SAIL-M12BG-5-1.5U	B.7
9457910150	SAIL-M12BG-5-1.5U	B.11
9457910300	SAIL-M12BG-5-3.0U	B.7
9457910500	SAIL-M12BG-5-5.0U	B.7
9457911000	SAIL-M12BG-5-10U	B.7
9457920150	SAIL-VSC-1.5U	B.67
9457930150	SAIL-VSB-1.5U	B.64
9457950150	SAIVM12BG-4-1.5U	B.13
9457960150	SAIVM12BW-4-1.5U	B.13
9457980150	SAIL-M12GM8W-3-1.5U	B.5
9457980150	SAIL-M12GM8W-3-1.5U	B.31

Order No.	Type	Page
9457980300	SAIL-M12GM8W-3-3.0U	B.5
9457980500	SAIL-M12GM8W-3-5.0U	B.5
9457981000	SAIL-M12GM8W-3-10U	B.5
<b>9910000000</b>		
9918180000	STRIPAX 16 ZERT	M.9







We cannot guarantee that there are no mistakes in the publications or software provided by us to the customer for the purpose of making orders. We try our best to quickly correct errors in our printed media.

**X**

All orders are based on our general terms of delivery, which can be reviewed on the websites of our group companies where you place your order. On demand we can also send the general terms of delivery to you.



## Weidmüller – Your partner in Smart Industrial Connectivity

As experienced experts we support our customers and partners around the world with products, solutions and services in the industrial environment of power, signal and data. We are at home in their industries and markets and know the technological challenges of tomorrow. We are therefore continuously developing innovative, sustainable and useful solutions for their individual needs. Together we set standards in Industrial Connectivity.

Weidmüller Interface GmbH & Co. KG  
Klingenbergstraße 26  
32758 Detmold, Germany  
T +49 5231 14-0  
F +49 5231 14-292083  
[www.weidmueller.com](http://www.weidmueller.com)

Personal support can  
be found on our website:  
[www.weidmueller.com/contact](http://www.weidmueller.com/contact)

Made in Germany



Order number: 2931420000/08/2023/SMD